



US00D835567S

(12) **United States Design Patent**
Gaudreau et al.

(10) **Patent No.:** **US D835,567 S**

(45) **Date of Patent:** **** Dec. 11, 2018**

(54) **AUTOMOBILE INTERIOR**

D493,757 S *	8/2004	Pfeiffer	D12/192
D494,907 S *	8/2004	Pfeiffer	D12/192
D622,195 S *	8/2010	Lester	D12/192
D801,245 S *	10/2017	Giolito	D12/192

(71) Applicants: **Jon P Gaudreau**, Rochester Hills, MI (US); **Ryan C Nagode**, West Bloomfield, MI (US); **Chris A Benjamin**, Clarkston, MI (US)

OTHER PUBLICATIONS

(72) Inventors: **Jon P Gaudreau**, Rochester Hills, MI (US); **Ryan C Nagode**, West Bloomfield, MI (US); **Chris A Benjamin**, Clarkston, MI (US)

www.ramtrucks.com—2016 Ram Chassis Cab—Interior & Technology Features.

* cited by examiner

(73) Assignee: **FCA US LLC**, Auburn Hills, MI (US)

Primary Examiner — Abraham Bahta

(**) Term: **15 Years**

(74) *Attorney, Agent, or Firm* — Ralph E. Smith

(21) Appl. No.: **29/626,579**

(57) **CLAIM**

(22) Filed: **Nov. 17, 2017**

The ornamental design for an automobile interior, as shown and described.

(51) **LOC (11) Cl.** **12-16**

(52) **U.S. Cl.**
USPC **D12/415**

(58) **Field of Classification Search**
USPC D12/415–420, 400, 195, 191, 106, 345, D12/96, 99
CPC B60R 7/04; B60R 7/06; B60R 7/08; B60K 37/00; B60K 37/02; B60K 37/04; B60K 37/06

DESCRIPTION

See application file for complete search history.

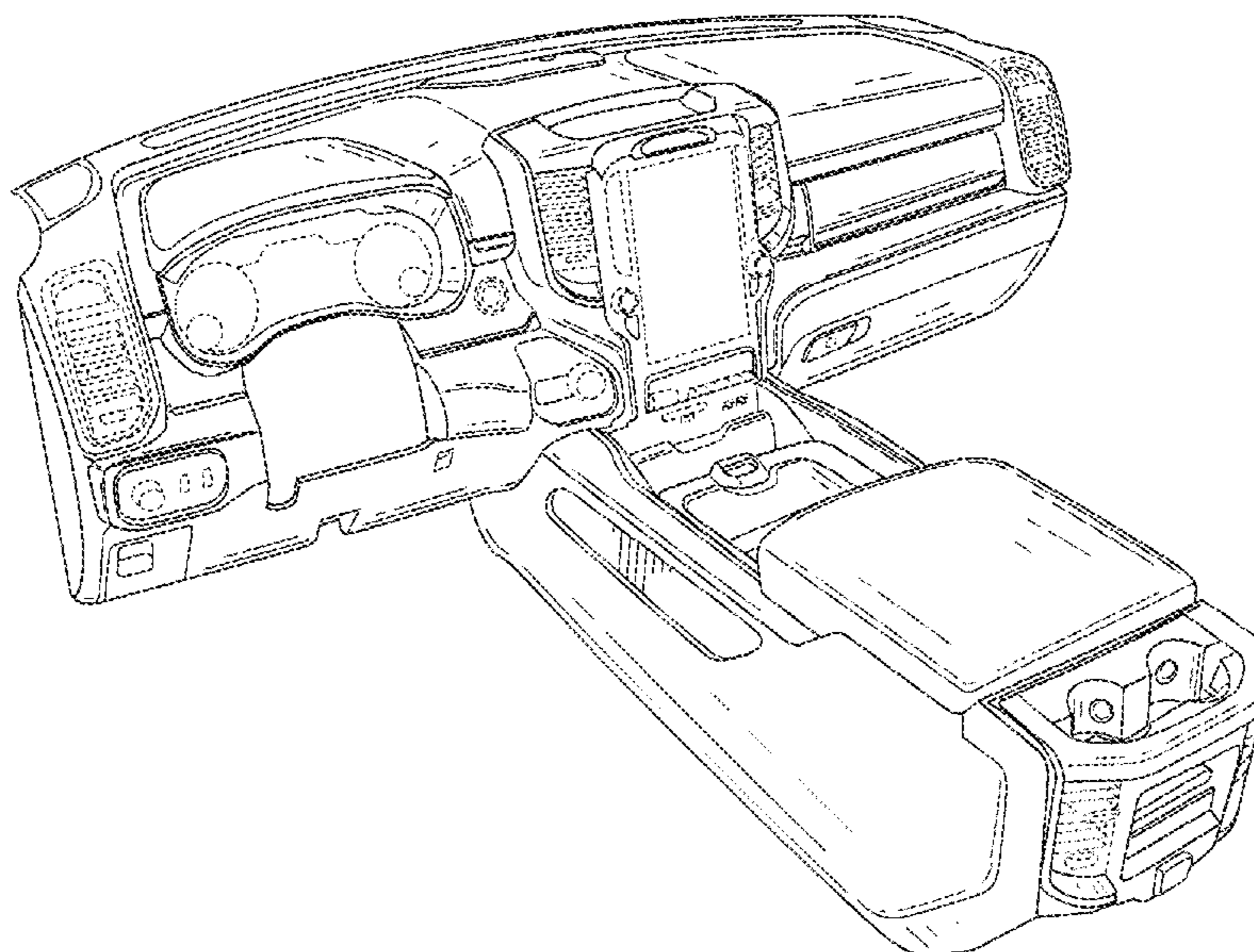
FIG. 1 is a right side perspective view of an automobile interior showing our new design;
FIG. 2 is a left side perspective view thereof;
FIG. 3 is a front view thereof; and,
FIG. 4 is a top plan view thereof.
It will be understood that the broken lines shown in the drawings illustrate portions of the automobile interior that form no part of claimed design.

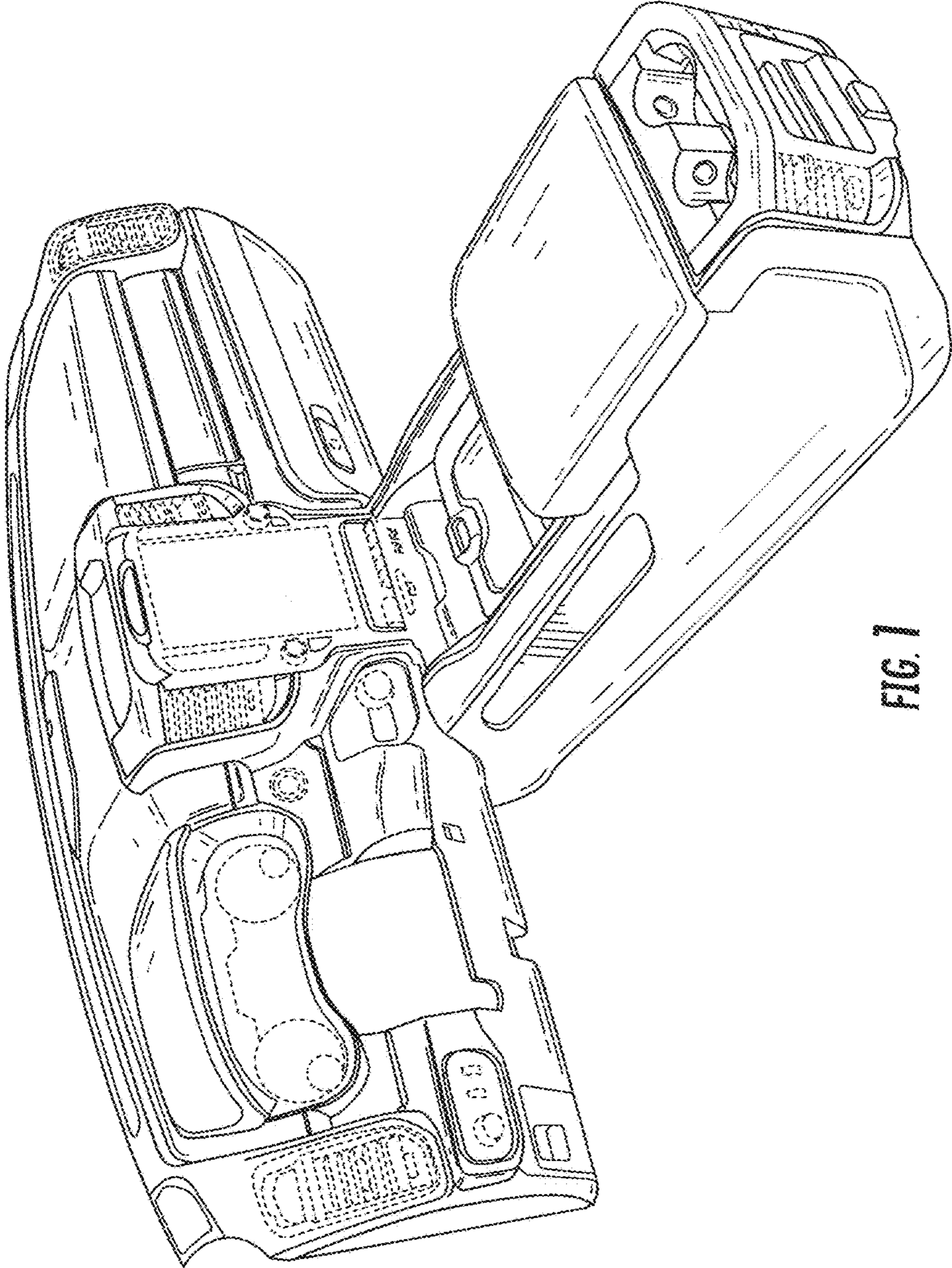
(56) **References Cited**

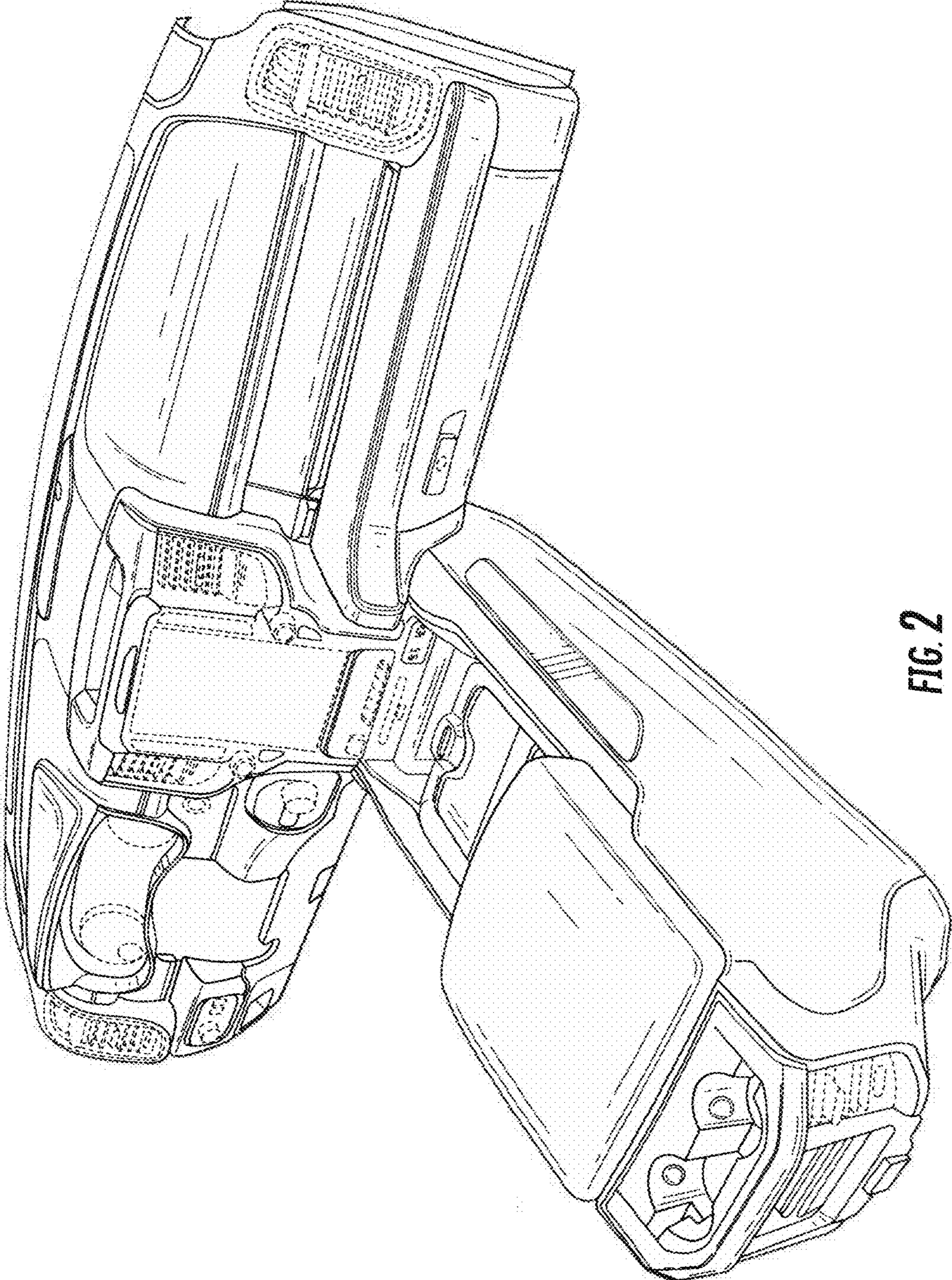
U.S. PATENT DOCUMENTS

D440,193 S *	4/2001	Pfeiffer	D12/192
D492,631 S *	7/2004	Pfeiffer	D12/192

1 Claim, 4 Drawing Sheets







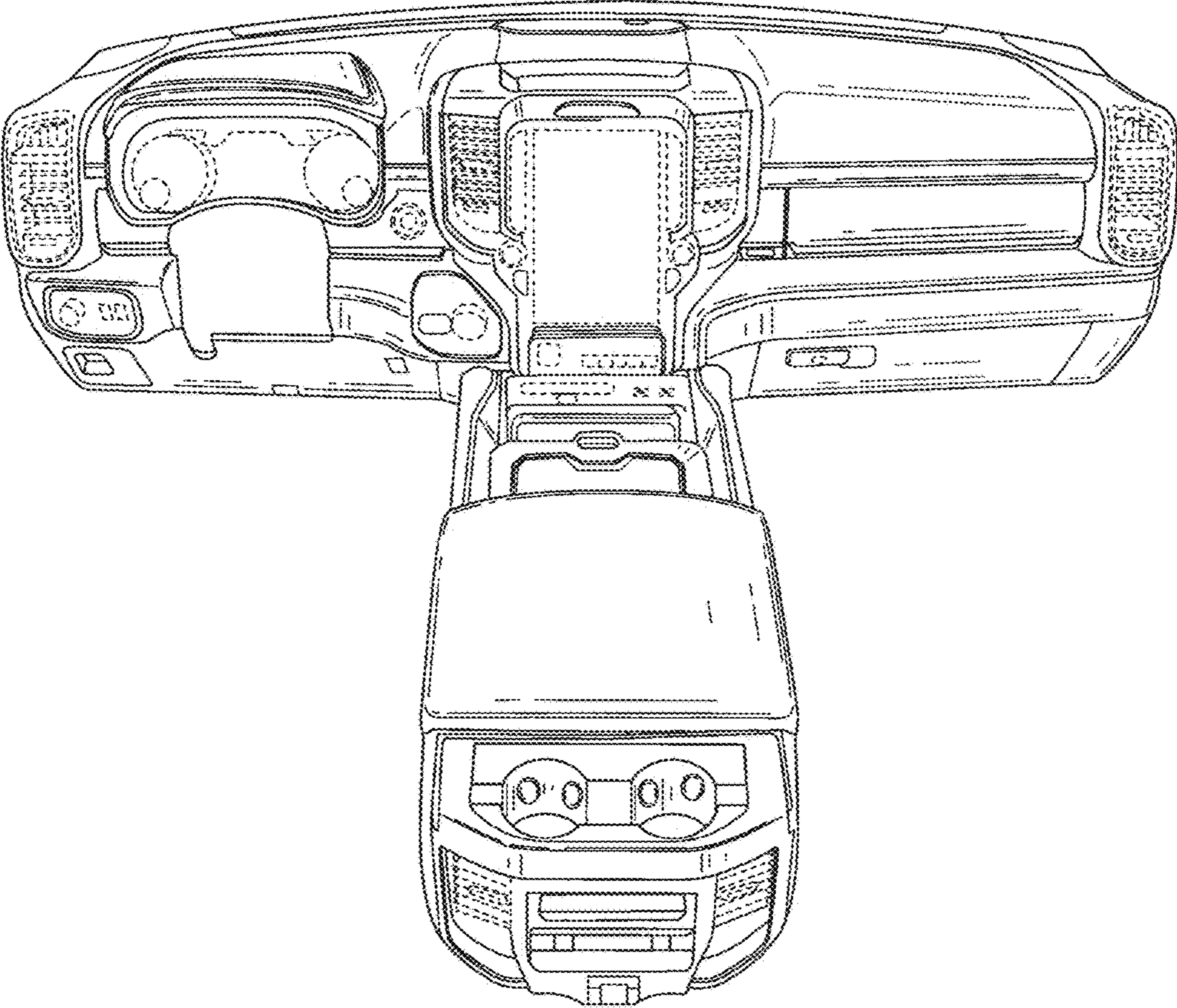


FIG. 3

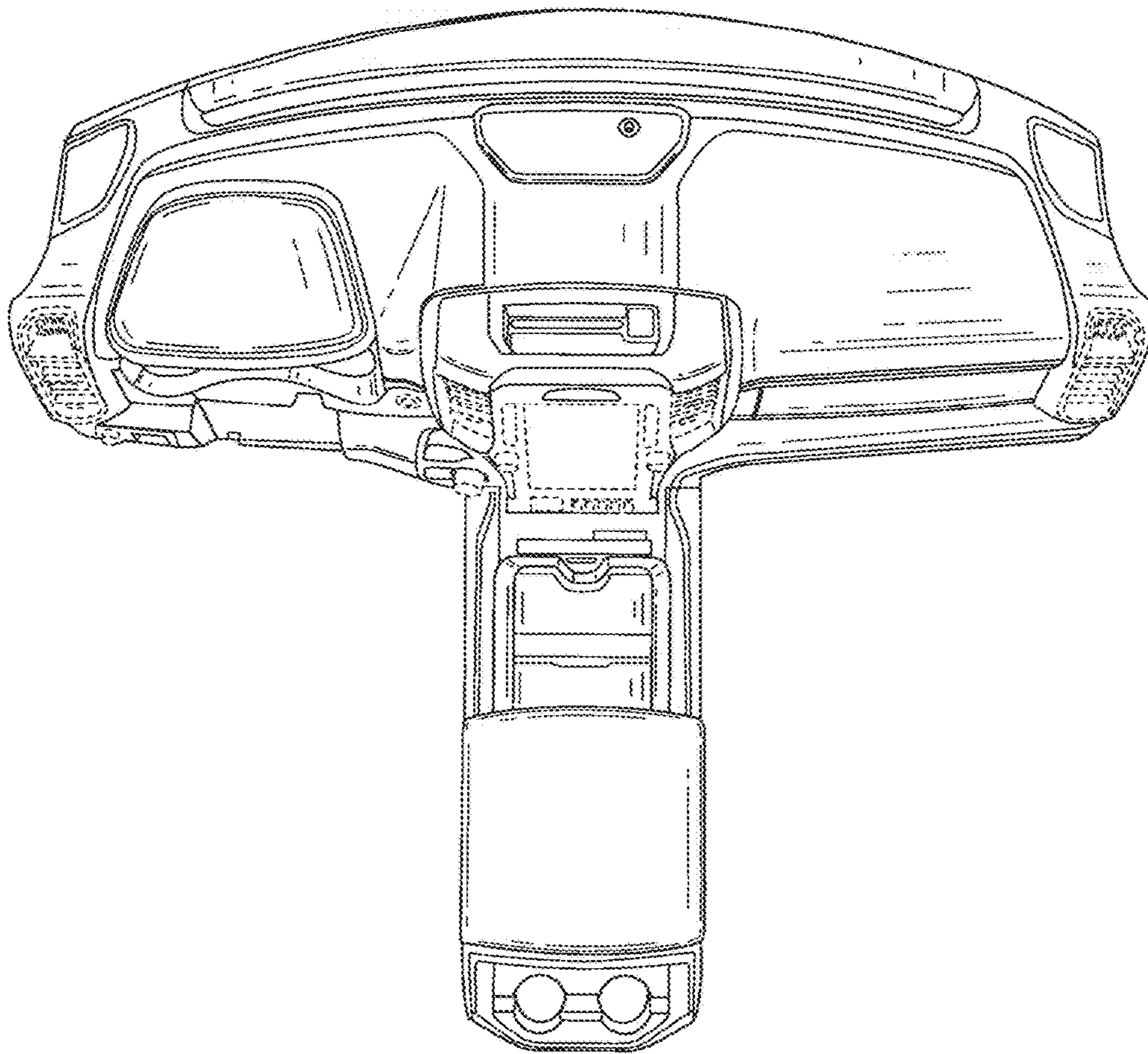


FIG. 4