



US00D835565S

(12) **United States Design Patent**
Deyaf et al.

(10) **Patent No.:** **US D835,565 S**

(45) **Date of Patent:** **** Dec. 11, 2018**

(54) **LIGHT BAR MOUNT**

(71) Applicant: **SpeedTech Lights, Inc.**, Buda, TX
(US)

(72) Inventors: **Malik Deyaf**, Buda, TX (US); **Mostafa Abdallah**, Buda, TX (US)

(73) Assignee: **SpeedTech Lights, Inc.**, Buda, TX
(US)

(**) Term: **15 Years**

(21) Appl. No.: **29/659,674**

(22) Filed: **Aug. 10, 2018**

(51) **LOC (11) Cl.** **12-16**

(52) **U.S. Cl.**
USPC **D12/412; D10/121**

(58) **Field of Classification Search**
USPC D12/412, 414
CPC B60Q 1/2611; B60R 9/058
See application file for complete search history.

(56) **References Cited**

U.S. PATENT DOCUMENTS

3,917,136	A *	11/1975	Carson	B60R 9/058
					224/330
D269,774	S *	7/1983	Schwarzli	D12/414
D300,813	S *	4/1989	Kamaya	D12/412
D406,095	S *	2/1999	Denny	D12/414
5,979,723	A *	11/1999	Tress	B60R 9/058
					224/309
D565,234	S	3/2008	Pfund et al.		
7,387,414	B2	6/2008	Helms		

7,419,286	B2 *	9/2008	Stein	B60Q 1/2611
					224/329
8,523,032	B2 *	9/2013	Neidlein	B60R 9/058
					224/321
D709,818	S *	7/2014	Zhang	D12/412
9,346,397	B2 *	5/2016	Gergets	B60Q 1/2611
9,592,768	B2 *	3/2017	Neufeglise	B60Q 1/2611
D813,241	S	3/2018	Wengreen		
D814,687	S	4/2018	Stanley		
D819,879	S	6/2018	Oudina		
D820,767	S	6/2018	Fogg et al.		
D820,938	S	6/2018	Pittman		
D824,089	S	7/2018	Dupras		
D824,559	S	7/2018	Connelly		

* cited by examiner

Primary Examiner — George D. Kirschbaum

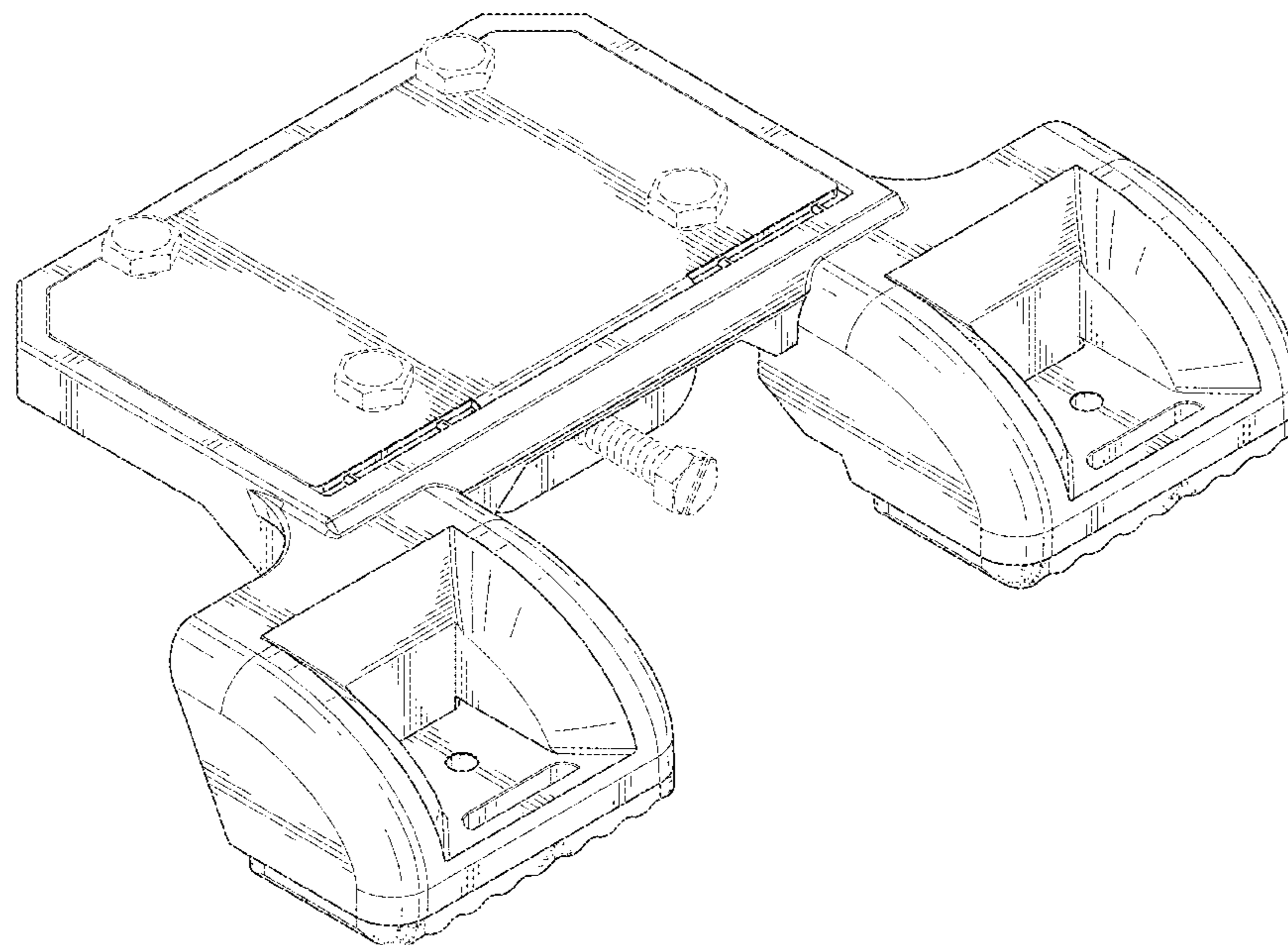
(57) **CLAIM**

The ornamental design for a light bar mount, as shown and described.

DESCRIPTION

FIG. 1 is a front perspective view of a light bar mount showing our new design;
 FIG. 2 is a front view thereof;
 FIG. 3 is a back view thereof;
 FIG. 4 is a right side view thereof;
 FIG. 5 is a left side view thereof;
 FIG. 6 is a top view thereof;
 FIG. 7 is a bottom view thereof; and,
 FIG. 8 is a rear perspective view thereof.
 The broken lines included illustrate portions of light bar mount that form no part of the claimed design.

1 Claim, 6 Drawing Sheets



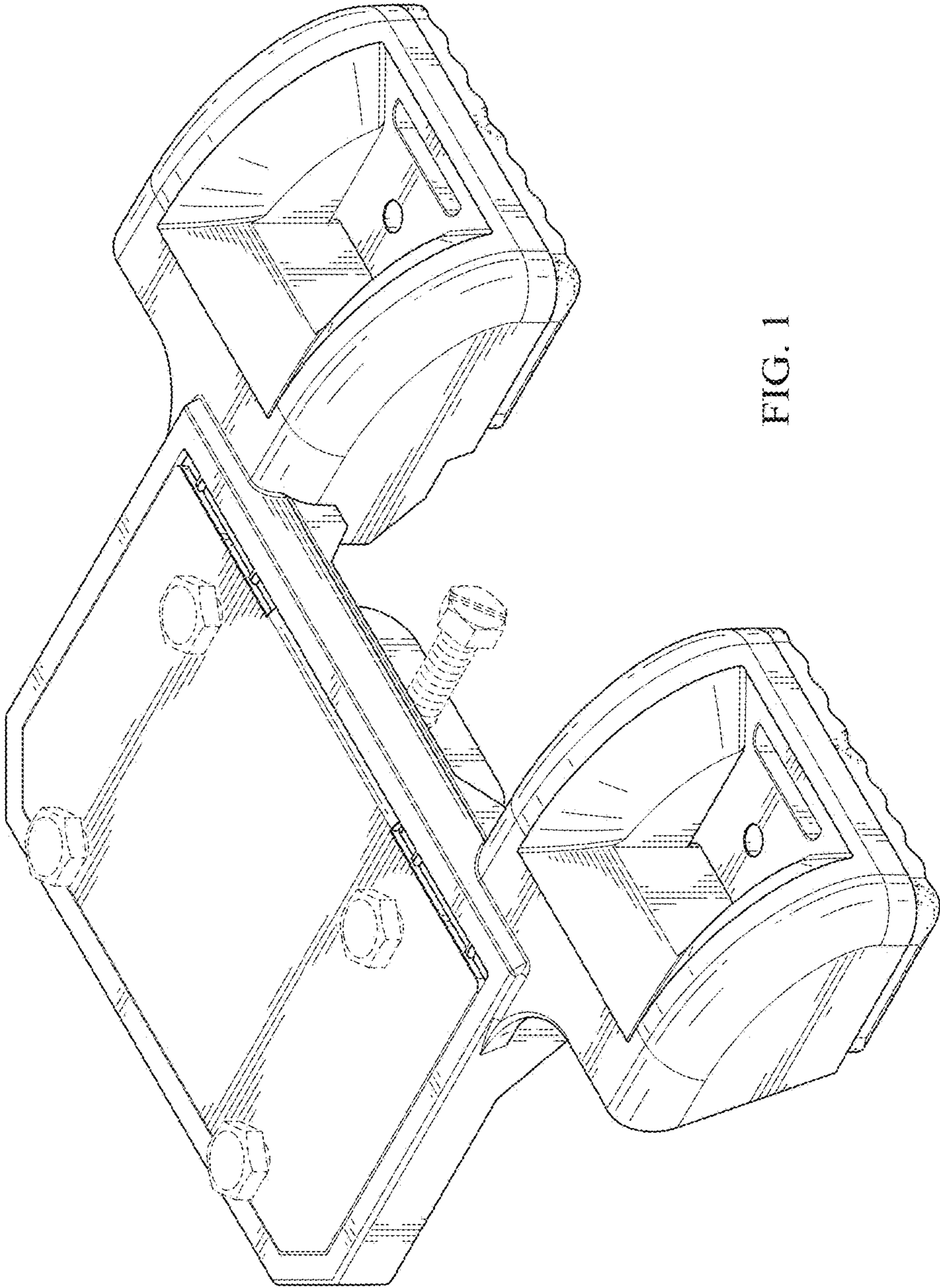


FIG. 1

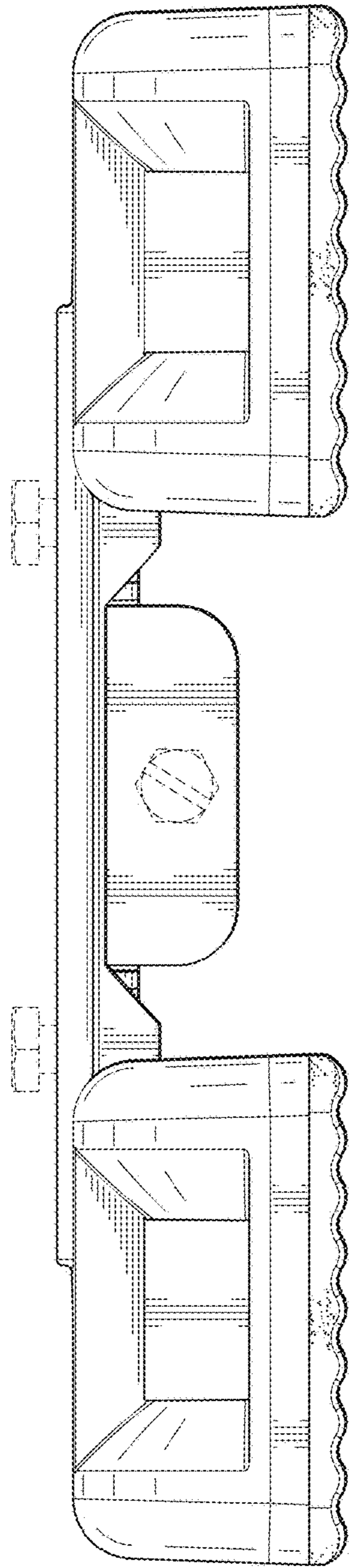


FIG. 2

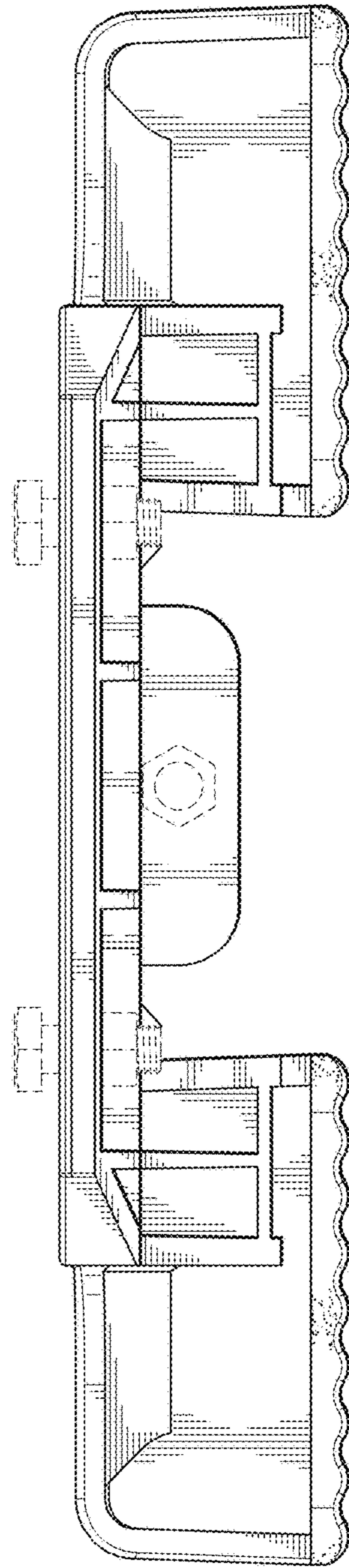


FIG. 3

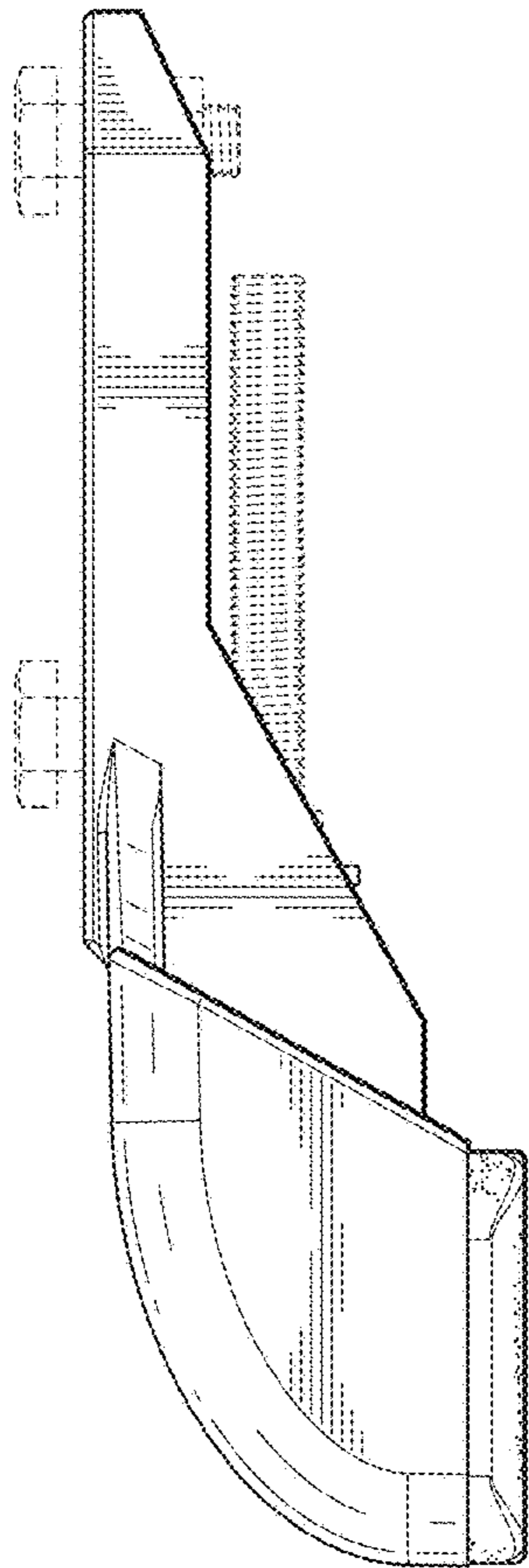


FIG. 4

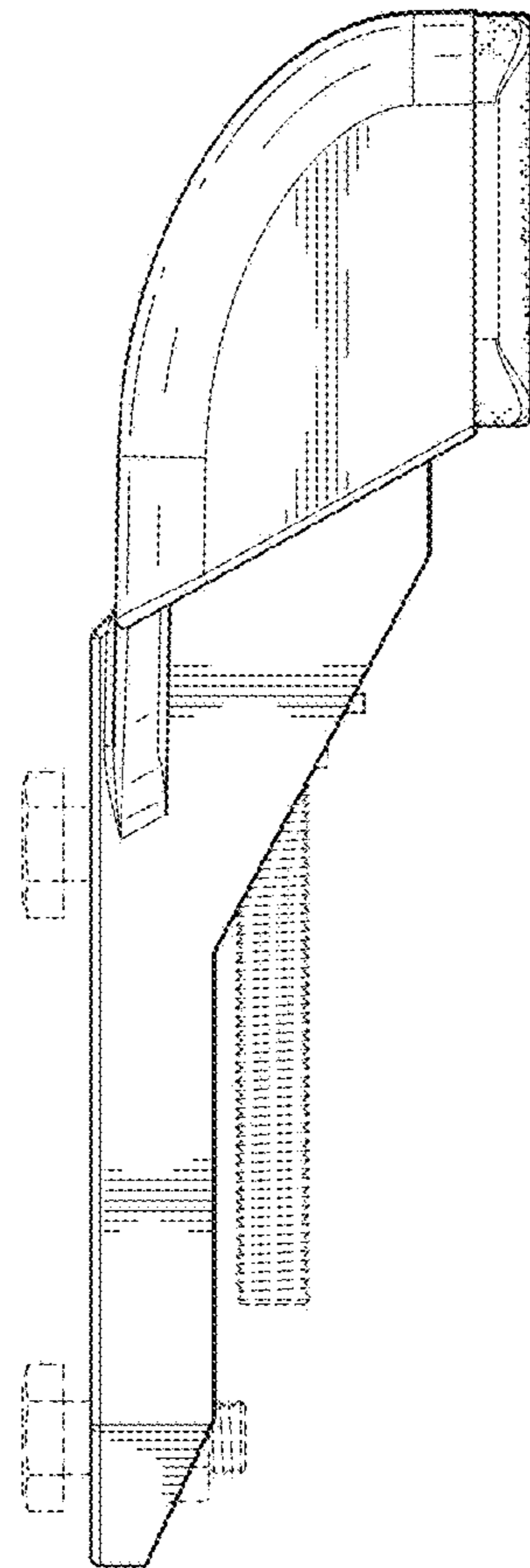


FIG. 5

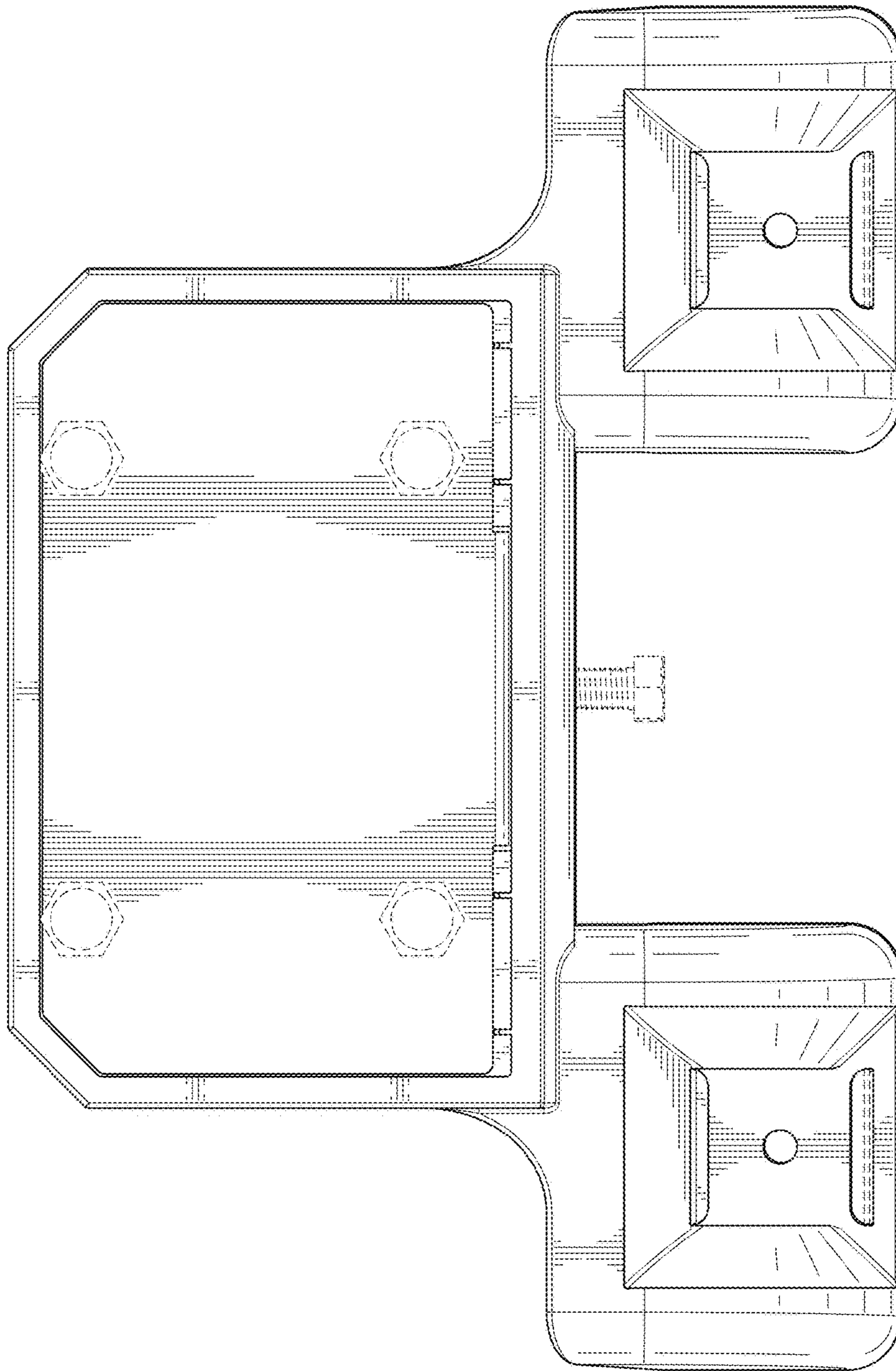


FIG. 6

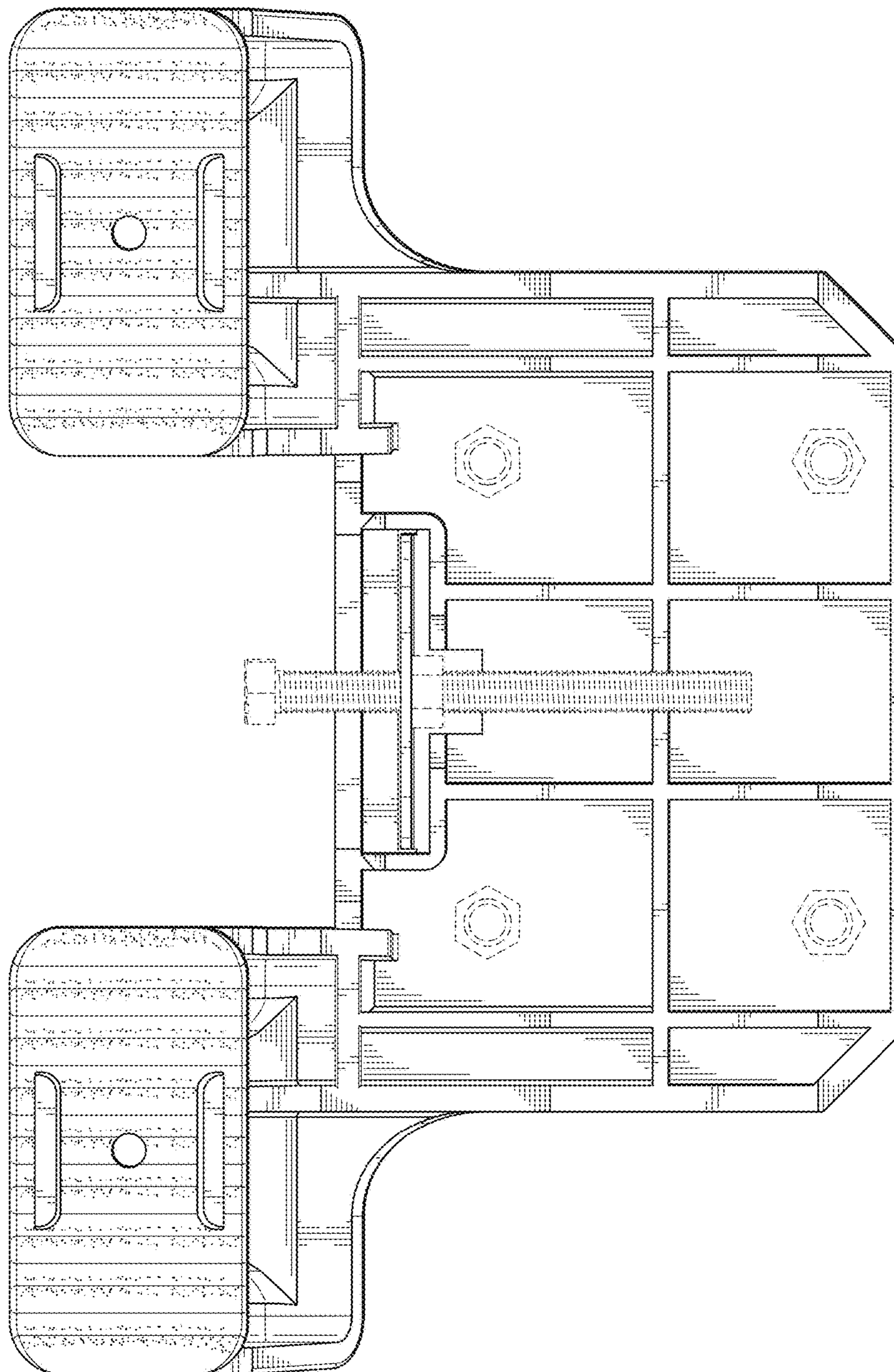


FIG. 7

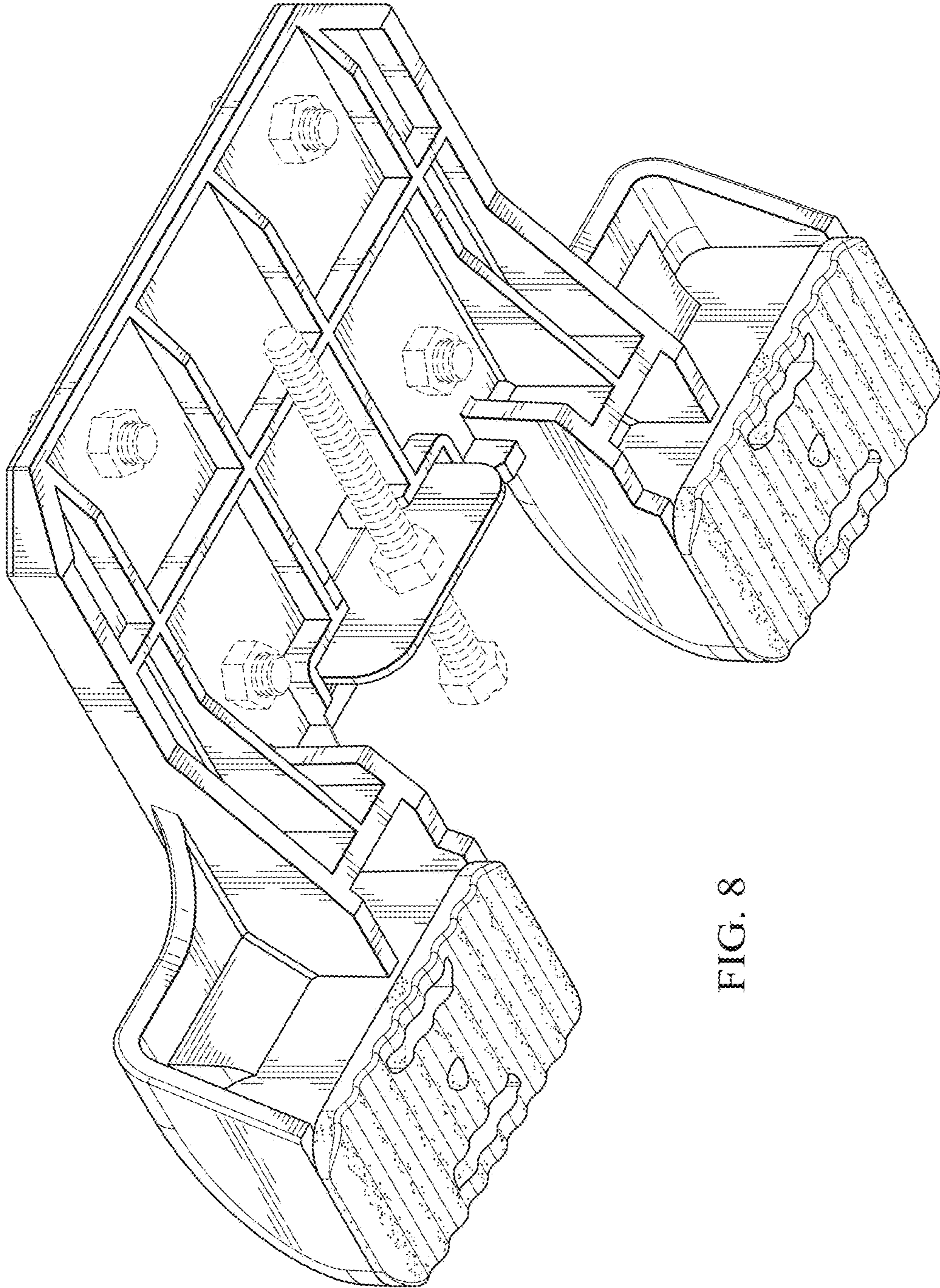


FIG. 8