



US00D835564S

(12) **United States Design Patent** (10) **Patent No.:** **US D835,564 S**  
**Von Holzhausen et al.** (45) **Date of Patent:** **\*\* Dec. 11, 2018**

(54) **WIPER**

(71) Applicant: **Tesla, Inc.**, Palo Alto, CA (US)

(72) Inventors: **Franz Von Holzhausen**, Malibu, CA (US); **David Tadashi Imai**, Los Angeles, CA (US); **Randy Rodriguez**, Torrance, CA (US); **Julien Bilodeau**, Los Angeles, CA (US)

(73) Assignee: **Tesla, Inc.**, Palo Alto, CA (US)

(\*\*) Term: **15 Years**

(21) Appl. No.: **29/619,414**

(22) Filed: **Sep. 28, 2017**

(51) **LOC (11) Cl.** ..... **12-16**

(52) **U.S. Cl.**  
 USPC ..... **D12/219**

(58) **Field of Classification Search**  
 USPC ..... D12/219–220  
 CPC ..... B60S 2001/3815; B60S 1/4003; B60S 1/3801  
 See application file for complete search history.

D692,818 S \* 11/2013 Tolentino ..... D12/219  
 D704,126 S \* 5/2014 Avasiloaie ..... D12/219  
 D705,155 S \* 5/2014 Fujiwara ..... D12/219  
 D732,455 S \* 6/2015 Fujiwara ..... D12/219  
 D781,770 S \* 3/2017 Koizumi ..... D12/220  
 D789,271 S \* 6/2017 Hyun ..... D12/219  
 D793,943 S \* 8/2017 Kim ..... D12/219

\* cited by examiner

*Primary Examiner* — Katrina A Betton  
 (74) *Attorney, Agent, or Firm* — Haynes and Boone, LLP

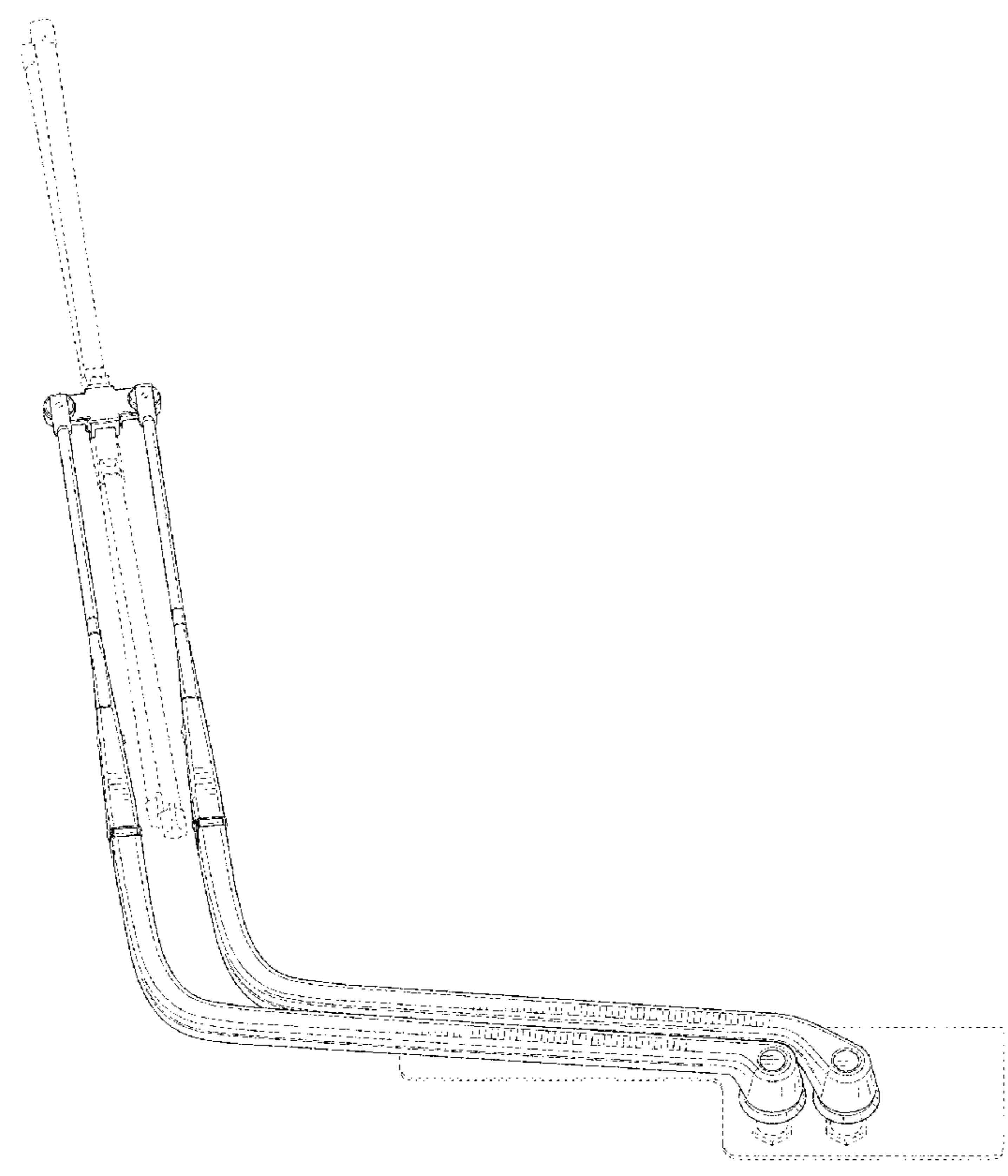
(57) **CLAIM**  
 The ornamental design for a wiper, as shown and described.

**DESCRIPTION**

FIG. 1 is a perspective view of a wiper.  
 FIG. 2 is a front elevational view of the wiper of FIG. 1.  
 FIG. 3 is a back elevational view of the wiper of FIG. 1.  
 FIG. 4 is a side elevational view of the wiper of FIG. 1.  
 FIG. 5 is a side elevational view of the wiper of FIG. 1 from the opposite side from FIG. 4.  
 FIG. 6 is a top plan view of the wiper of FIG. 1.  
 FIG. 7 is a bottom plan view of the wiper of FIG. 1; and,  
 FIG. 8 is a perspective view of the wiper of FIG. 1 as part of a semi-truck cab.  
 The items shown with broken lines form no part of the claimed design.

**1 Claim, 8 Drawing Sheets**

(56) **References Cited**  
 U.S. PATENT DOCUMENTS  
 D662,027 S \* 6/2012 Chien ..... D12/219  
 D663,250 S \* 7/2012 Chien ..... D12/219



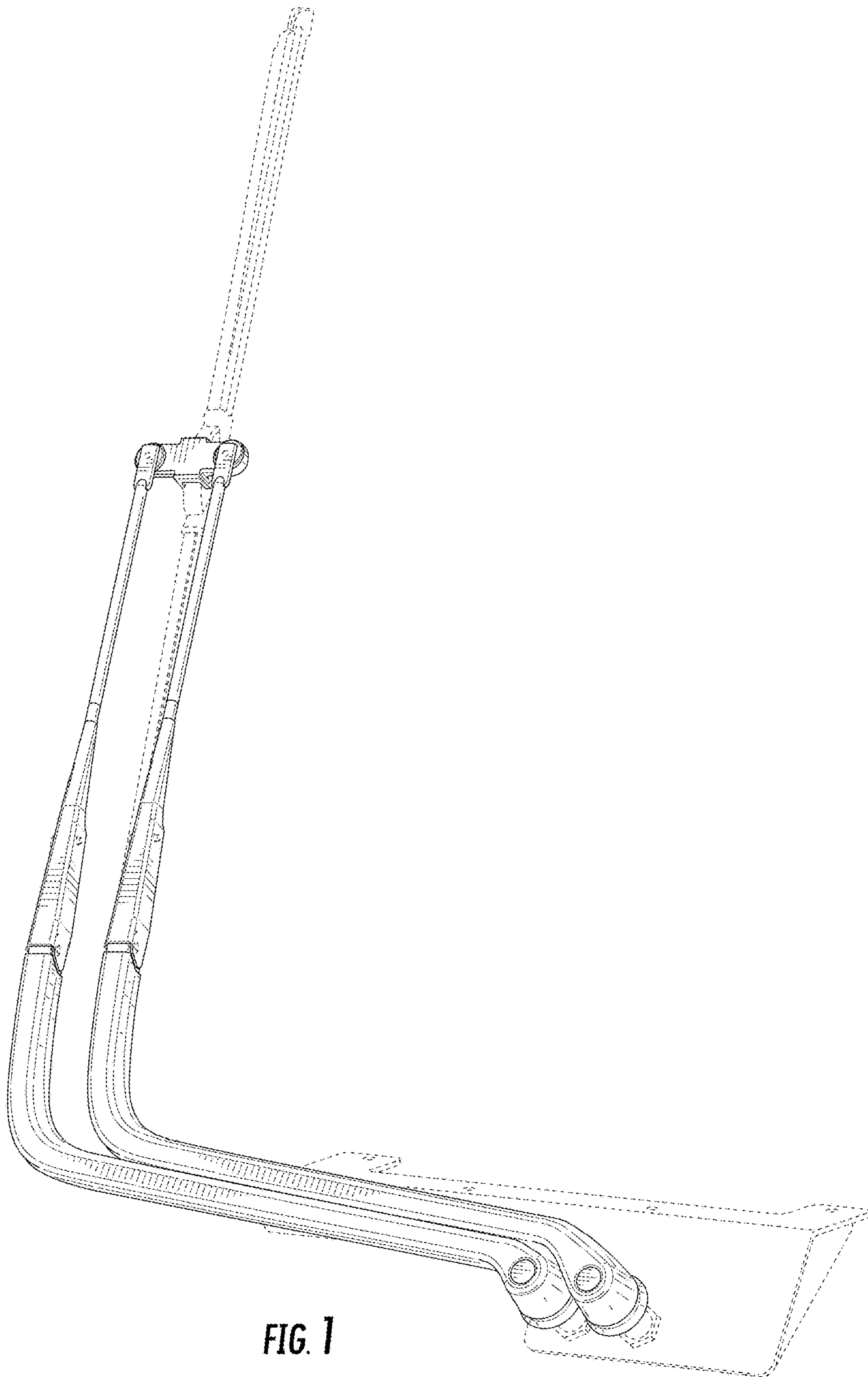


FIG. 1

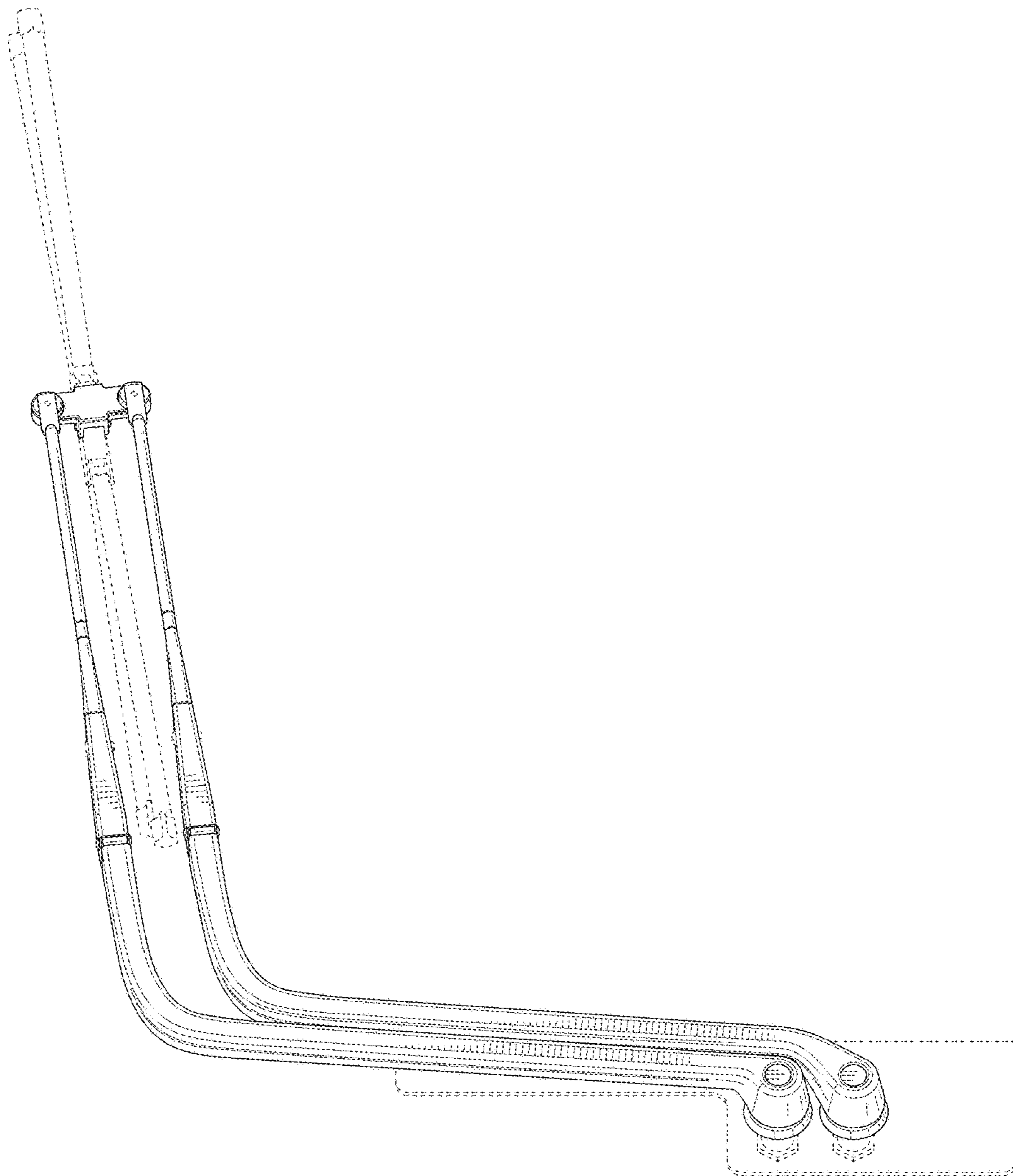


FIG. 2

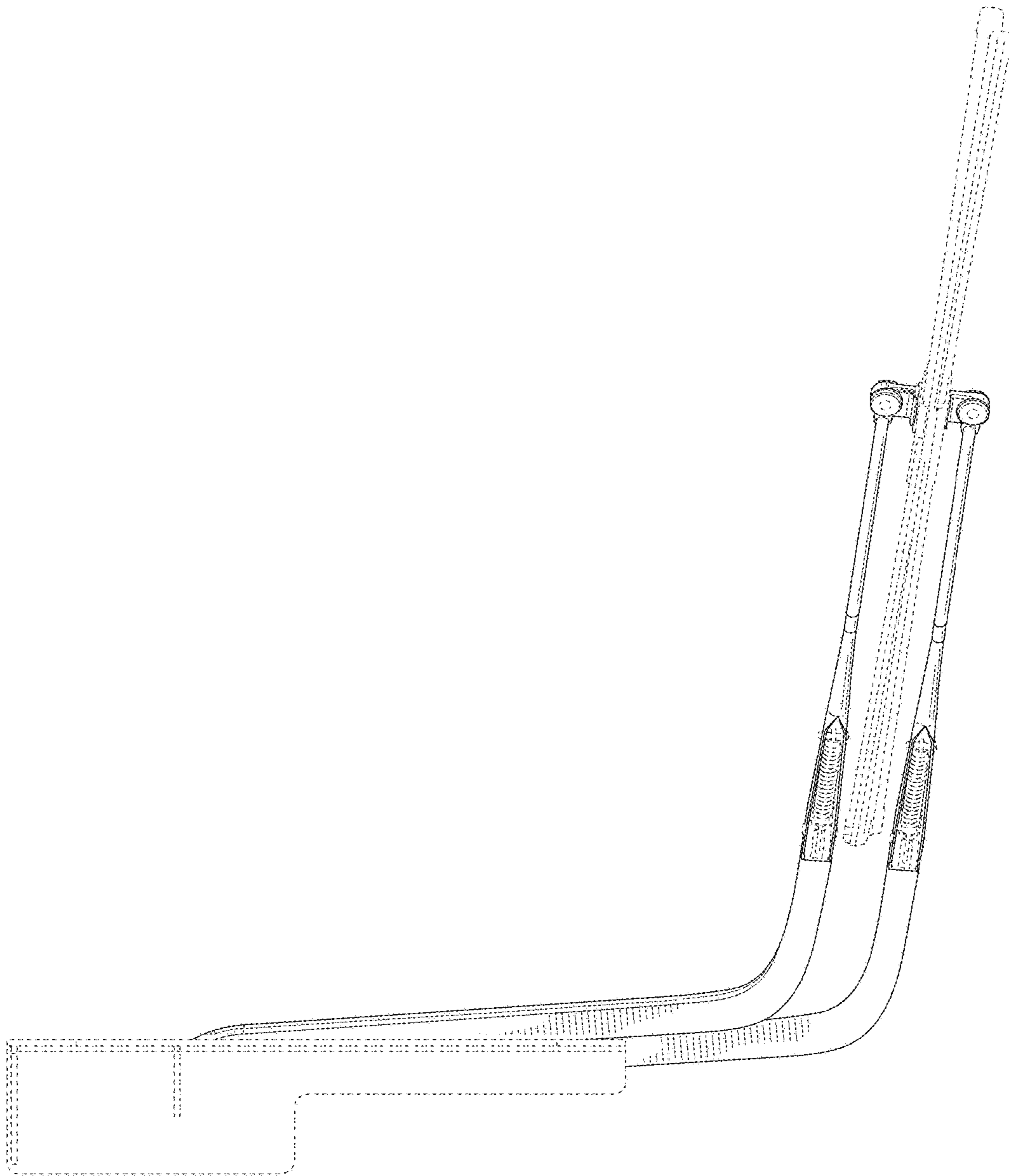


FIG. 3

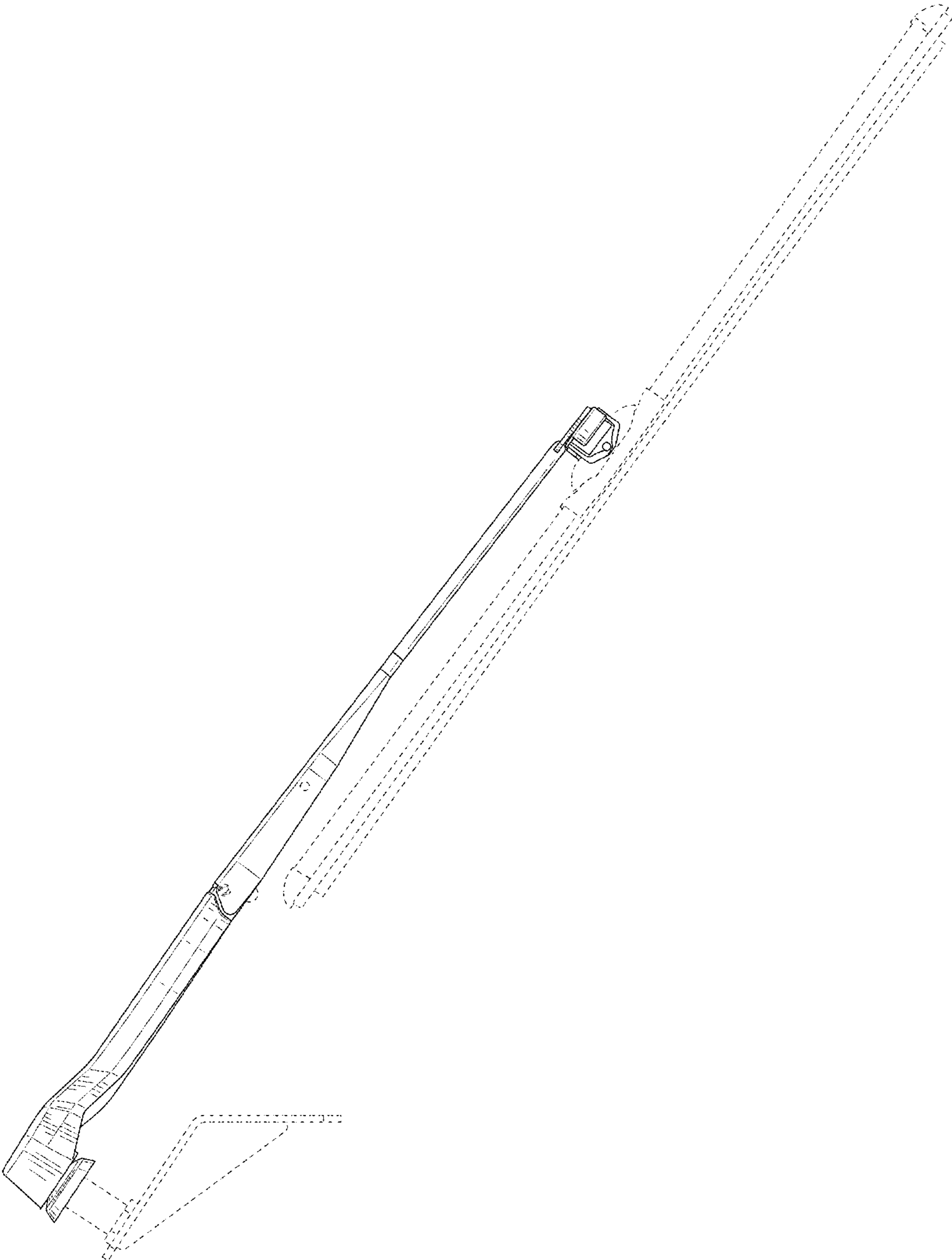


FIG. 4

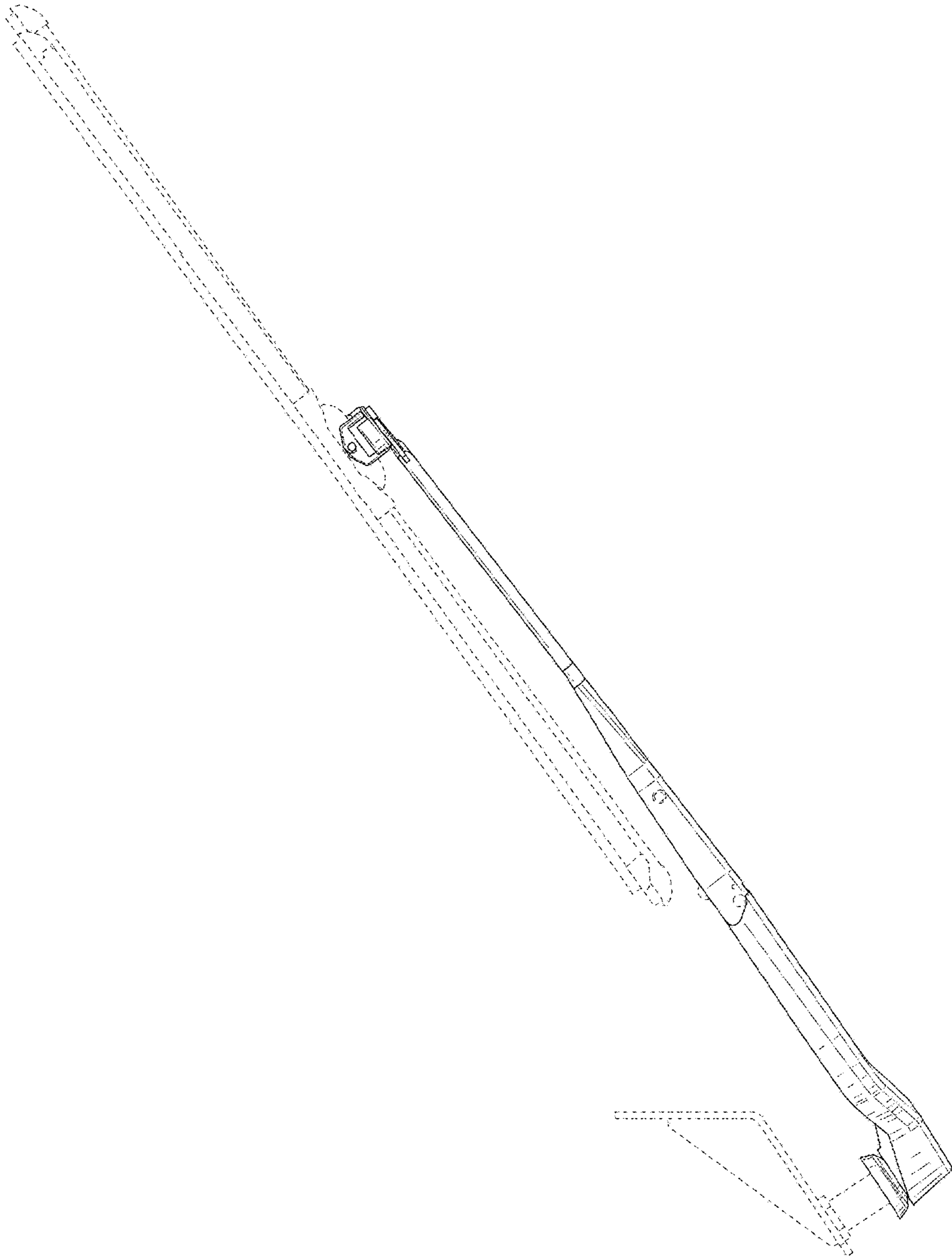


FIG. 5



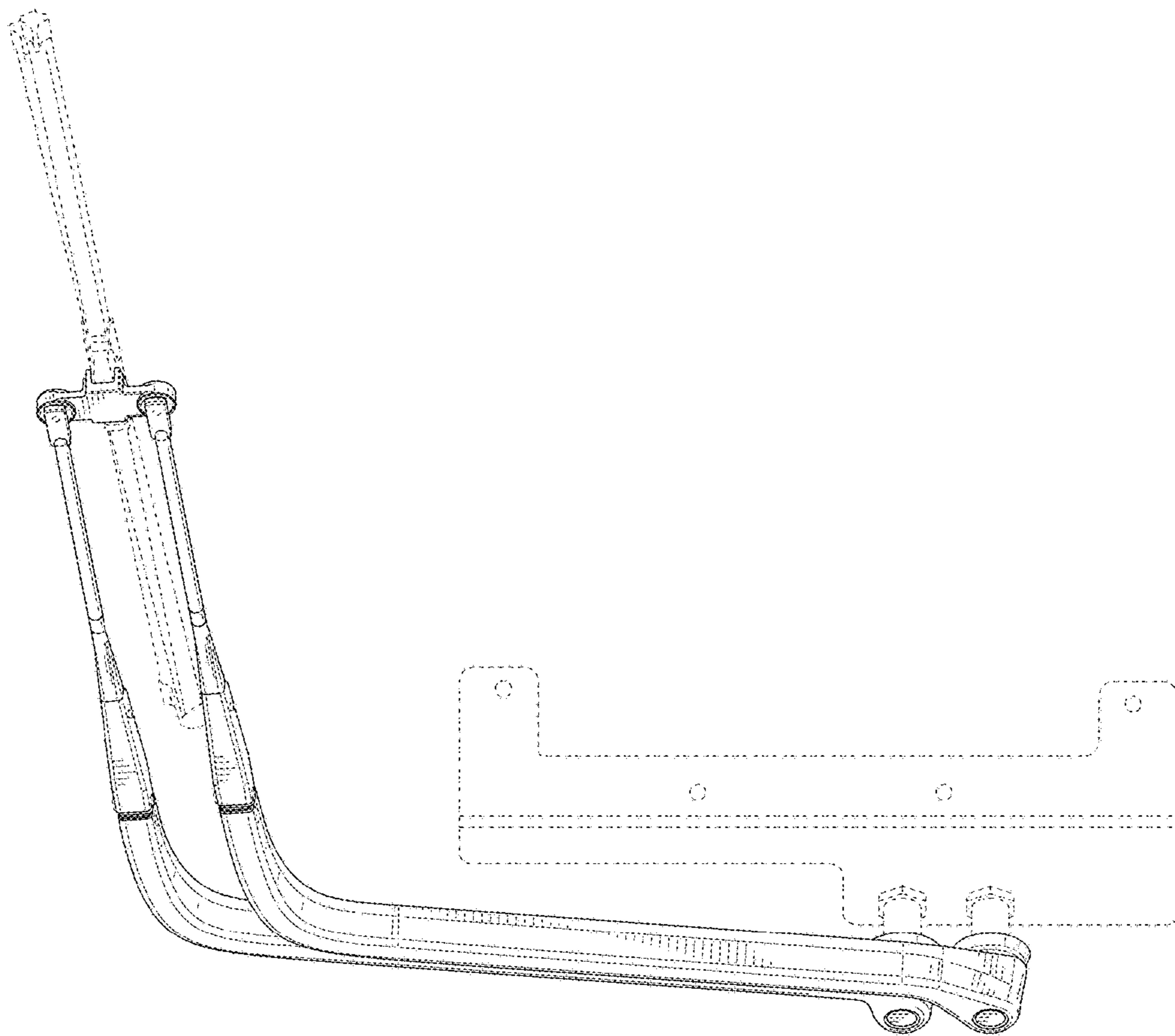


FIG. 6

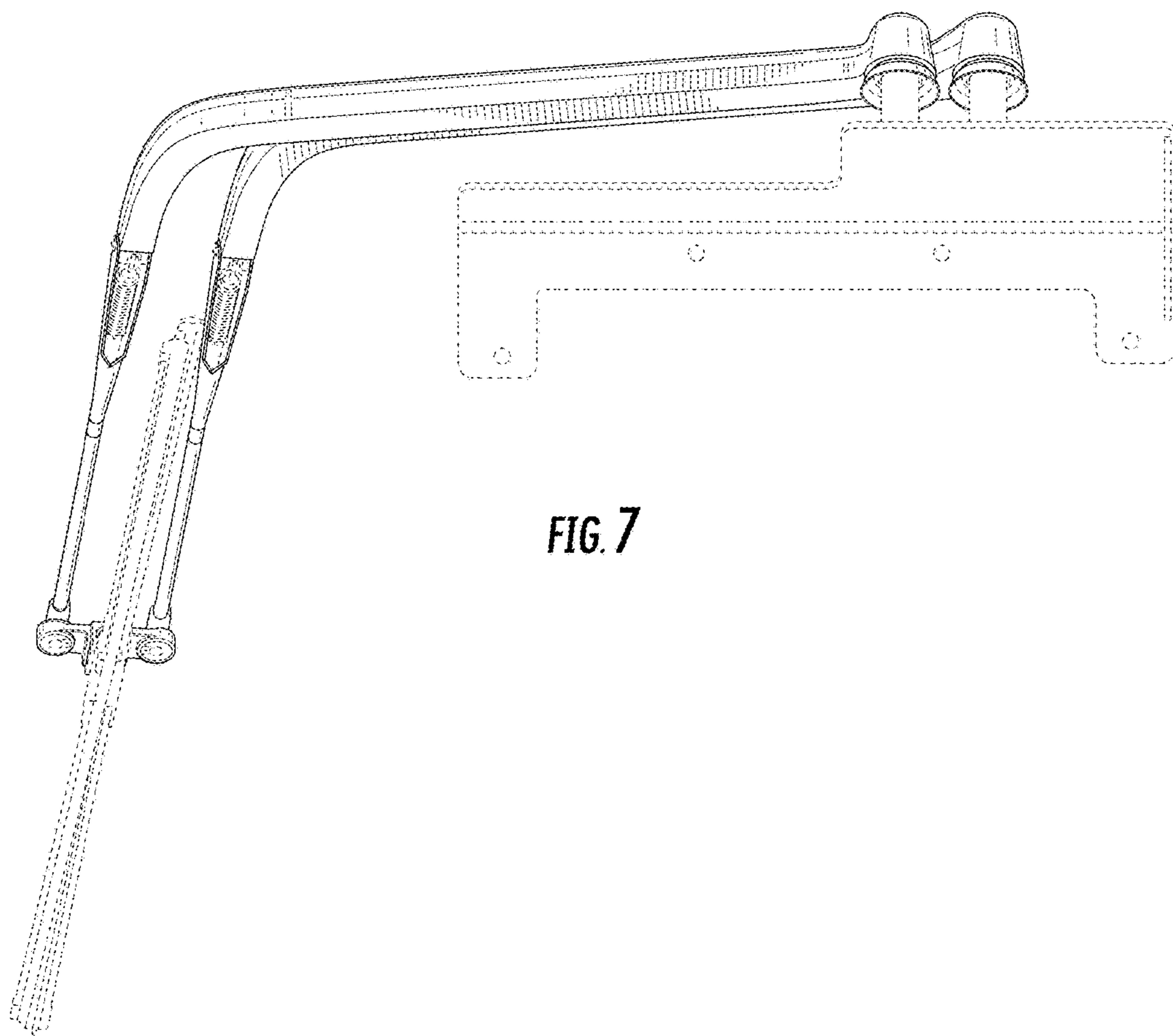


FIG. 7



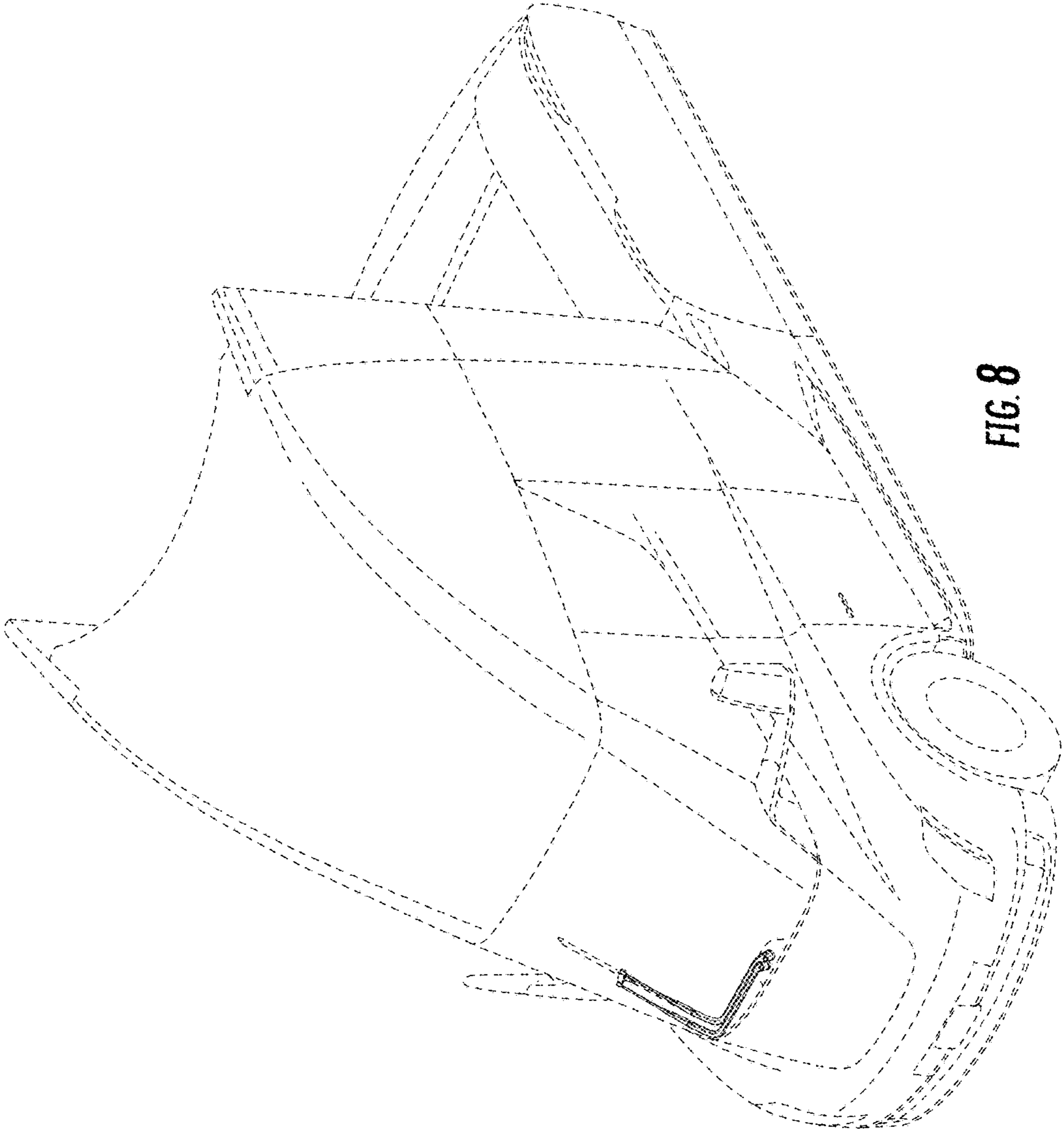


FIG. 8