



US00D835562S

(12) **United States Design Patent**
Huang

(10) **Patent No.:** **US D835,562 S**

(45) **Date of Patent:** **** Dec. 11, 2018**

(54) **MULTIFUNCTIONAL WIPER ACCESSORIES**

(71) Applicant: **Jiangsu Yunrui Automotive Electrical Systems Co., LTD.**, Xuzhou, Jiangsu Province (CN)

(72) Inventor: **Songlin Huang**, Xuzhou (CN)

(73) Assignee: **Jiangsu Yunrui Automotive Electrical System Co., LTD.**, Xuzhou (CN)

(**) Term: **15 Years**

(21) Appl. No.: **29/599,852**

(22) Filed: **Apr. 7, 2017**

(30) **Foreign Application Priority Data**

Jan. 4, 2017 (CN) 2017 3 0002229

(51) **LOC (11) Cl.** **12-16**

(52) **U.S. Cl.**
USPC **D12/219**

(58) **Field of Classification Search**
USPC D12/219-220
CPC B60S 2001/3815; B60S 1/4003; B60S 1/3801
See application file for complete search history.

(56) **References Cited**

U.S. PATENT DOCUMENTS

D665,718 S * 8/2012 Houssat D12/220
D702,619 S * 4/2014 Kim D12/220

D704,128 S * 5/2014 Depondt D12/220
D706,201 S * 6/2014 Depondt D12/220
D706,202 S * 6/2014 Depondt D12/220
D725,022 S * 3/2015 Poton D12/220
D725,024 S * 3/2015 Poton D12/220
D725,025 S * 3/2015 Poton D12/220
D784,242 S * 4/2017 Lee D12/220
D784,243 S * 4/2017 Lee D12/220
D809,989 S * 2/2018 Lee D12/220

* cited by examiner

Primary Examiner — Katrina A Betton

(74) *Attorney, Agent, or Firm* — Bay State IP, LLC

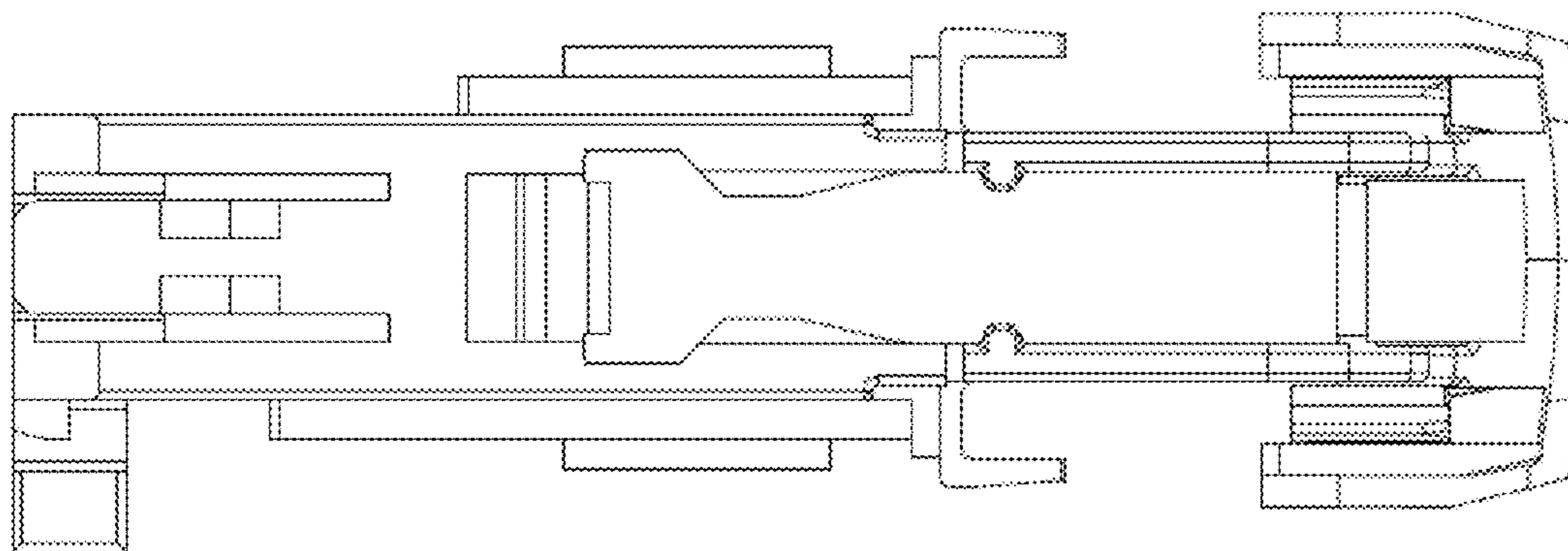
(57) **CLAIM**

The ornamental design for a multifunctional wiper accessories, as shown and described.

DESCRIPTION

FIG. 1 is a front perspective view of the multifunctional wiper accessories showing my new design;
FIG. 2 is a front view thereof;
FIG. 3 is a right view thereof;
FIG. 4 is a left view thereof;
FIG. 5 is a top view thereof; and,
FIG. 6 is a bottom view thereof.

1 Claim, 4 Drawing Sheets



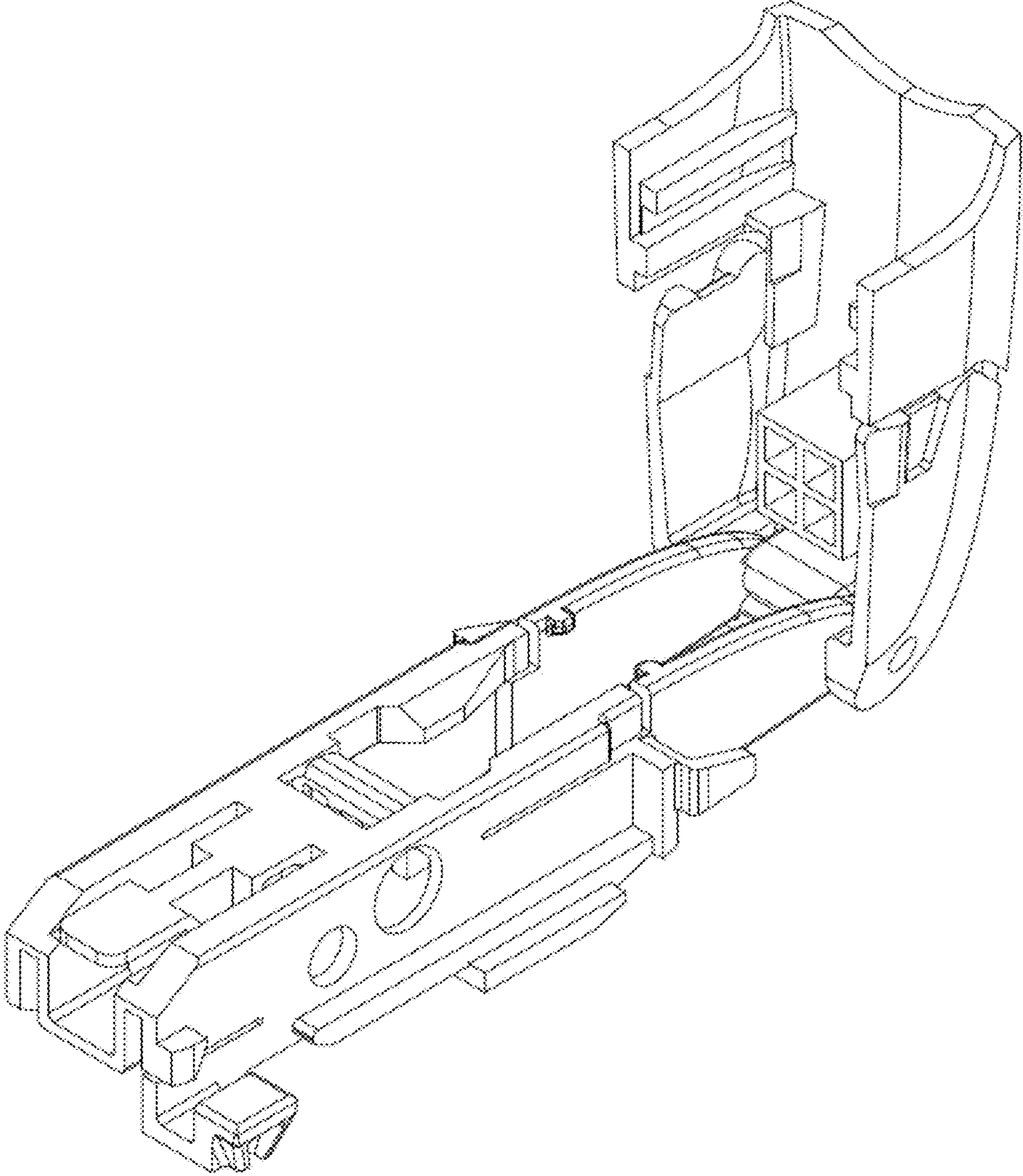


FIG. 1

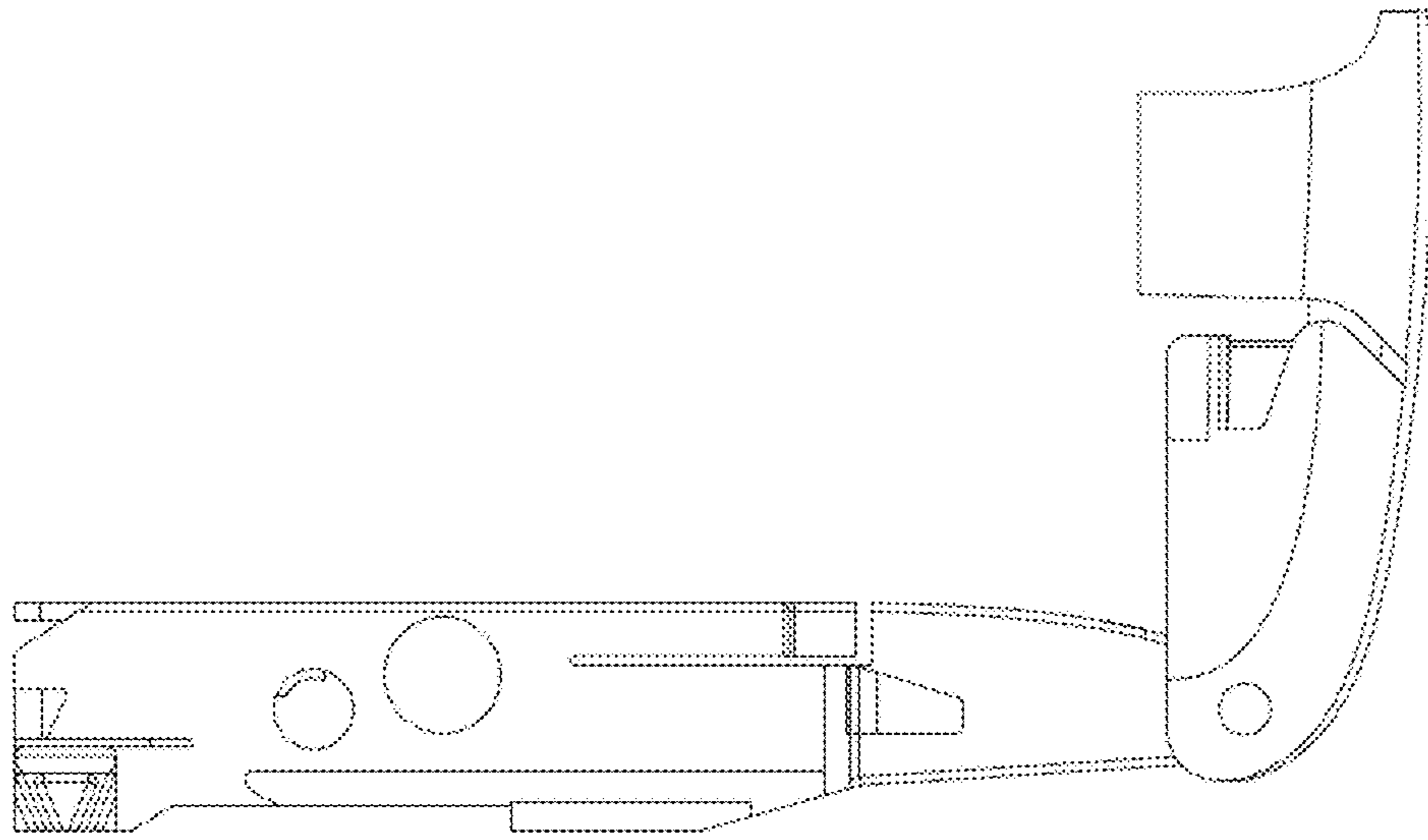


FIG. 2

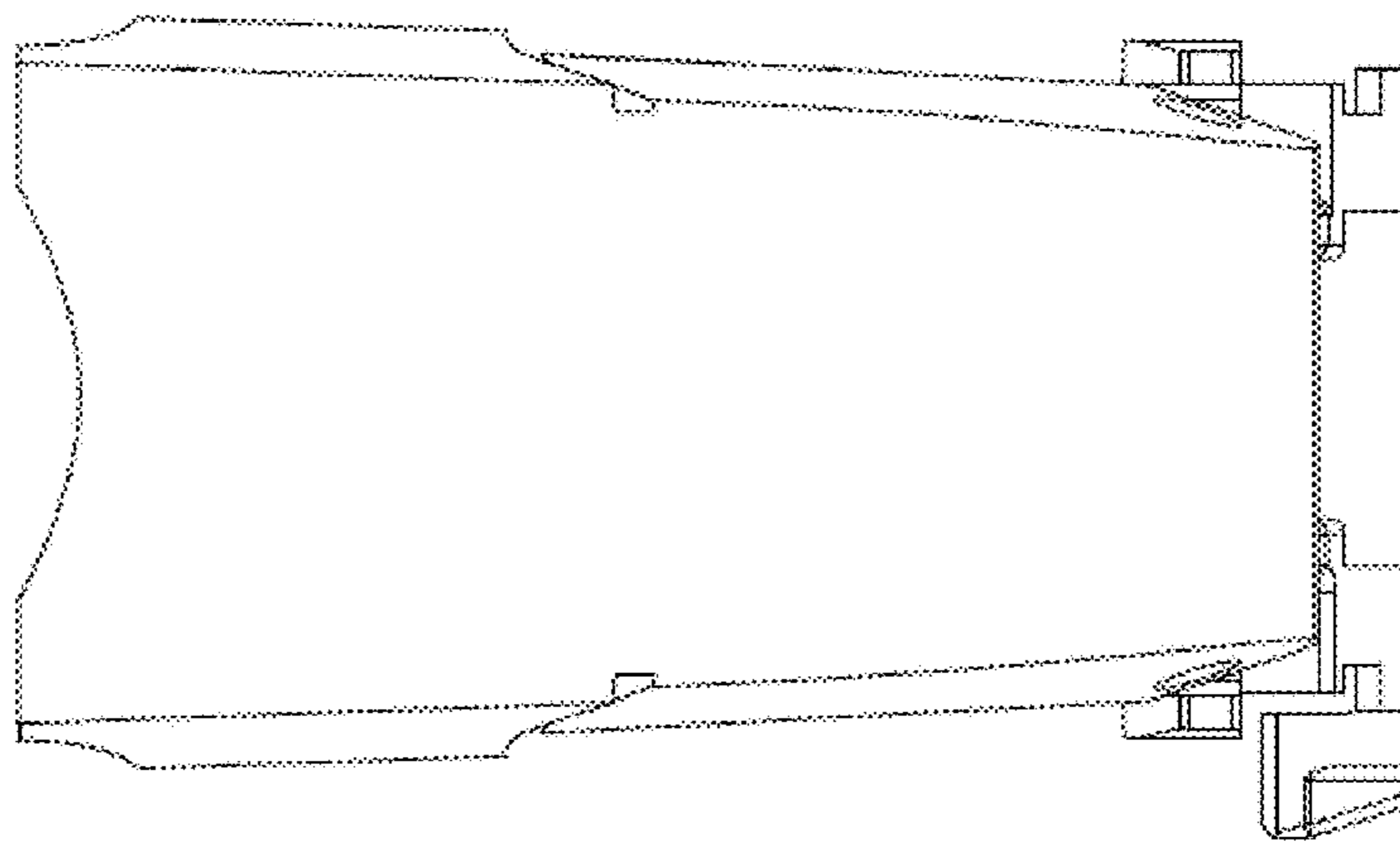


FIG. 3

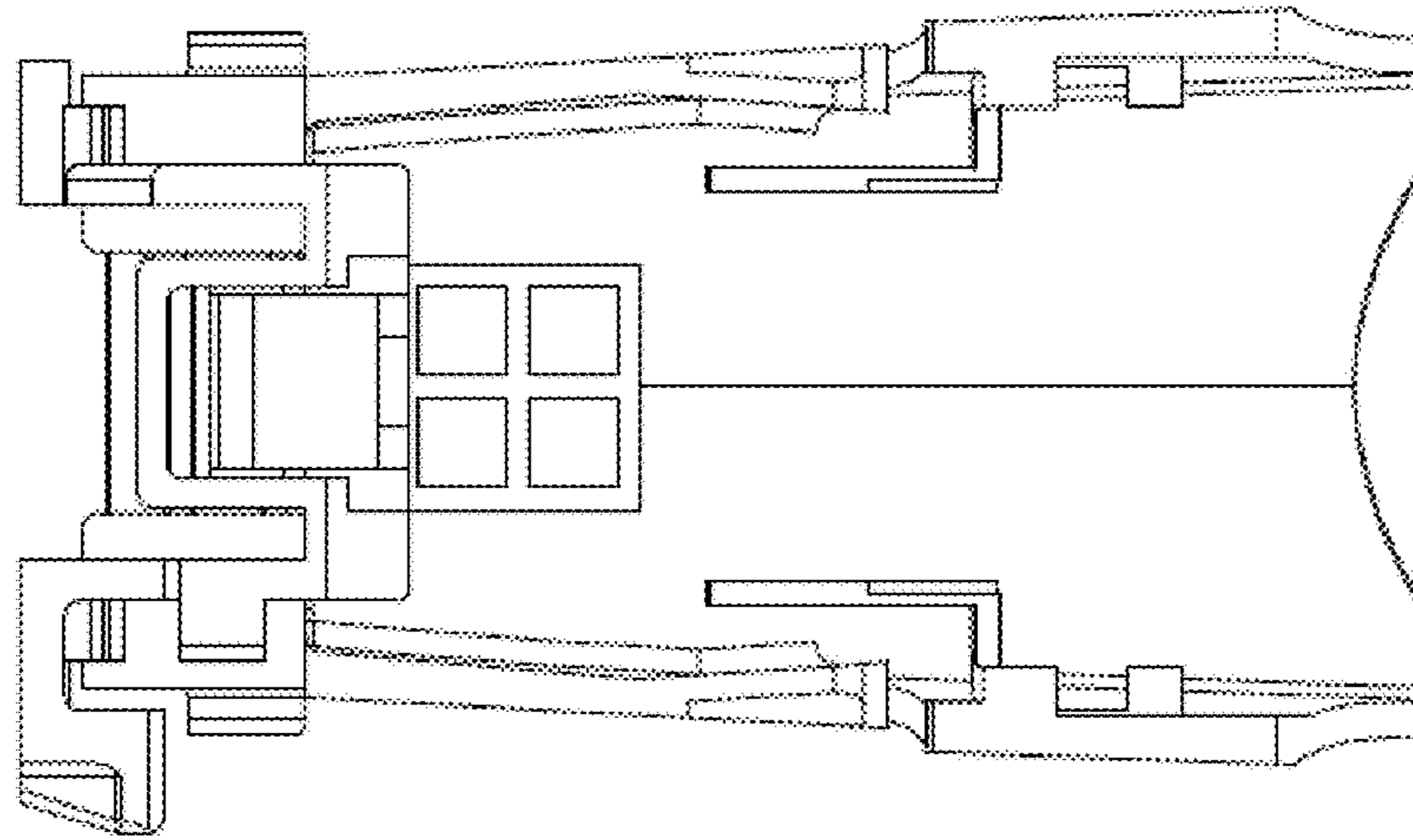


FIG. 4

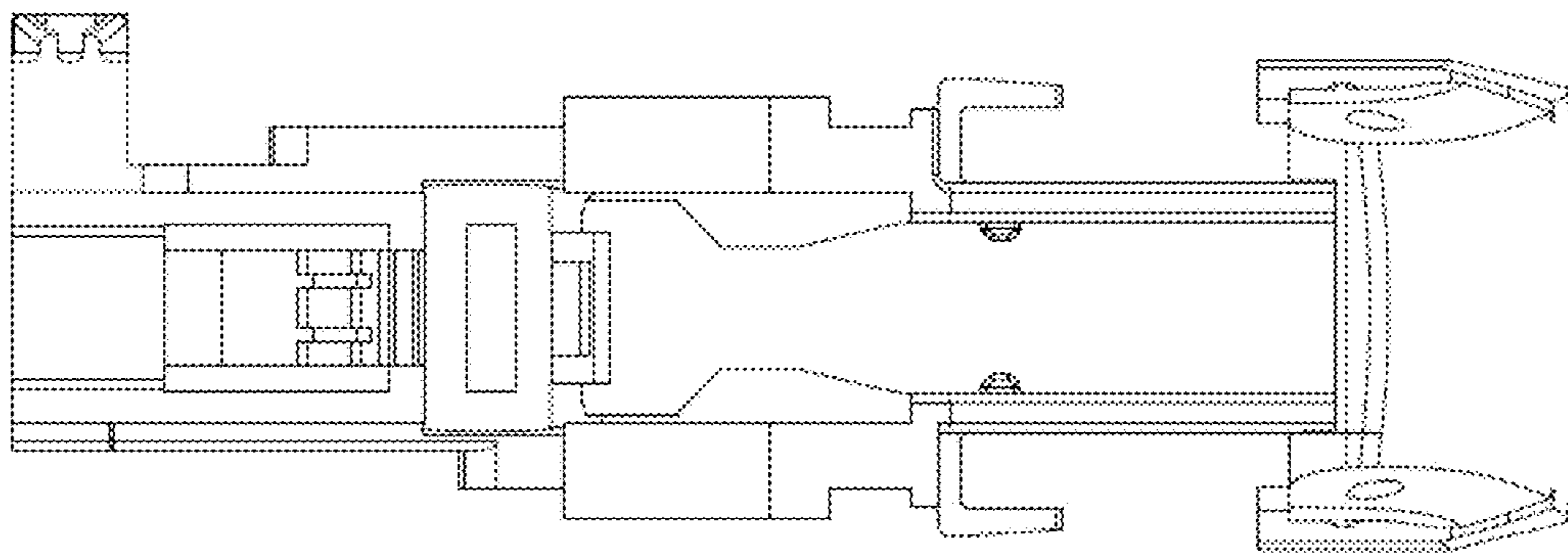


FIG. 5

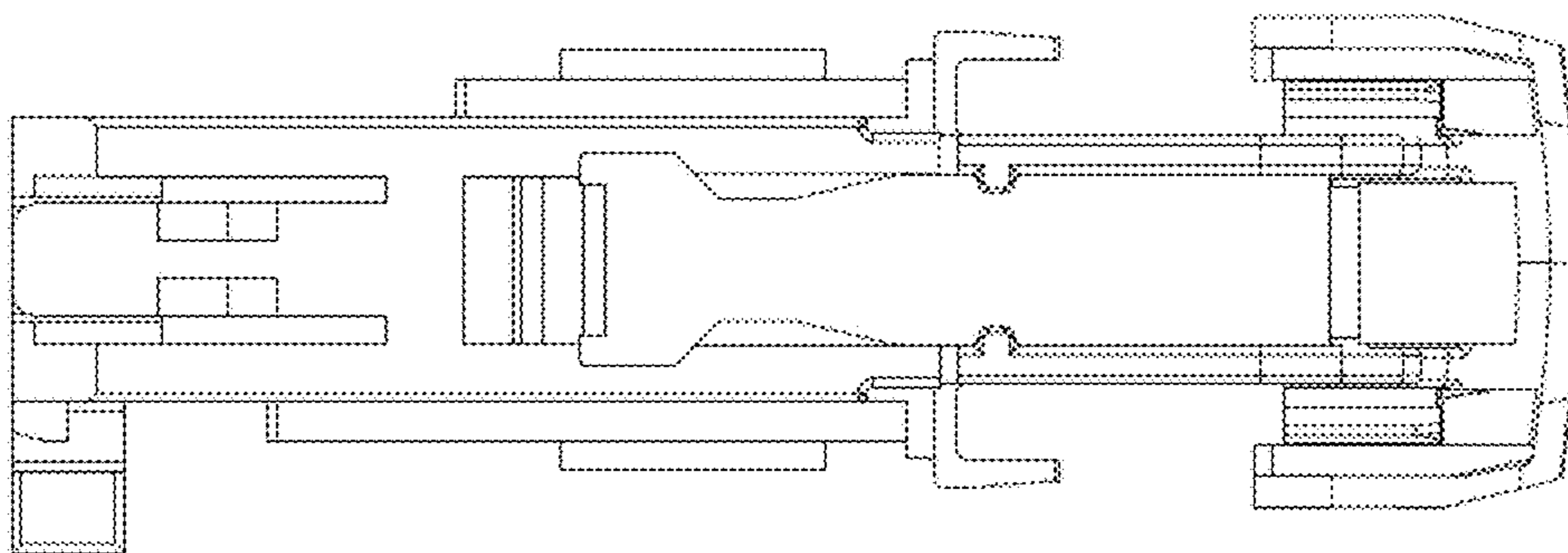


FIG. 6