



US00D835560S

(12) **United States Design Patent**  
**Hilton et al.**

(10) **Patent No.:** **US D835,560 S**

(45) **Date of Patent:** **\*\* Dec. 11, 2018**

(54) **VEHICLE WHEEL RIM**

(71) Applicant: **NIO NEXTEV LIMITED**, Hong Kong (HK)

(72) Inventors: **David Hilton**, Hong Kong (HK); **Ben Payne**, Hong Kong (HK)

(\*\*) Term: **15 Years**

(21) Appl. No.: **29/591,719**

(22) Filed: **Jan. 23, 2017**

(30) **Foreign Application Priority Data**

Jul. 29, 2016 (EP) ..... 003324532

(51) **LOC (11) Cl.** ..... **12-16**

(52) **U.S. Cl.**  
USPC ..... **D12/209**

(58) **Field of Classification Search**  
USPC ..... D12/204-213; D21/533, 561, 563  
CPC .... B60B 7/00; B60B 7/02; B60B 7/04; B60B 7/06; B60B 3/02; B60B 3/04; B60B 3/06; B60B 3/10; B60B 1/00; B60B 1/08; B60B 1/10; B60B 1/12  
See application file for complete search history.

(56) **References Cited**

**U.S. PATENT DOCUMENTS**

D541,202 S \* 4/2007 Baumgartner ..... D12/211  
D572,186 S \* 7/2008 Viandante ..... D12/211

D661,239 S \* 6/2012 Pollmann ..... D12/209  
D684,517 S \* 6/2013 Scheinhutte ..... D12/211  
D689,810 S \* 9/2013 Mindt ..... D12/209  
D713,773 S \* 9/2014 Scheinhutte ..... D12/209  
D774,436 S \* 12/2016 Valencia Pollex ..... D12/209  
D778,799 S \* 2/2017 Gallert ..... D12/211  
D789,268 S \* 6/2017 Gallert ..... D12/209  
D792,303 S \* 7/2017 Chung ..... D12/209  
D798,211 S \* 9/2017 Chung ..... D12/209  
D801,906 S \* 11/2017 Burki ..... D12/211  
D810,647 S \* 2/2018 Heizmann ..... D12/209

\* cited by examiner

*Primary Examiner* — Sheryl Lane

*Assistant Examiner* — Calvin E Vasant

(74) *Attorney, Agent, or Firm* — Hogan Lovells US LLP

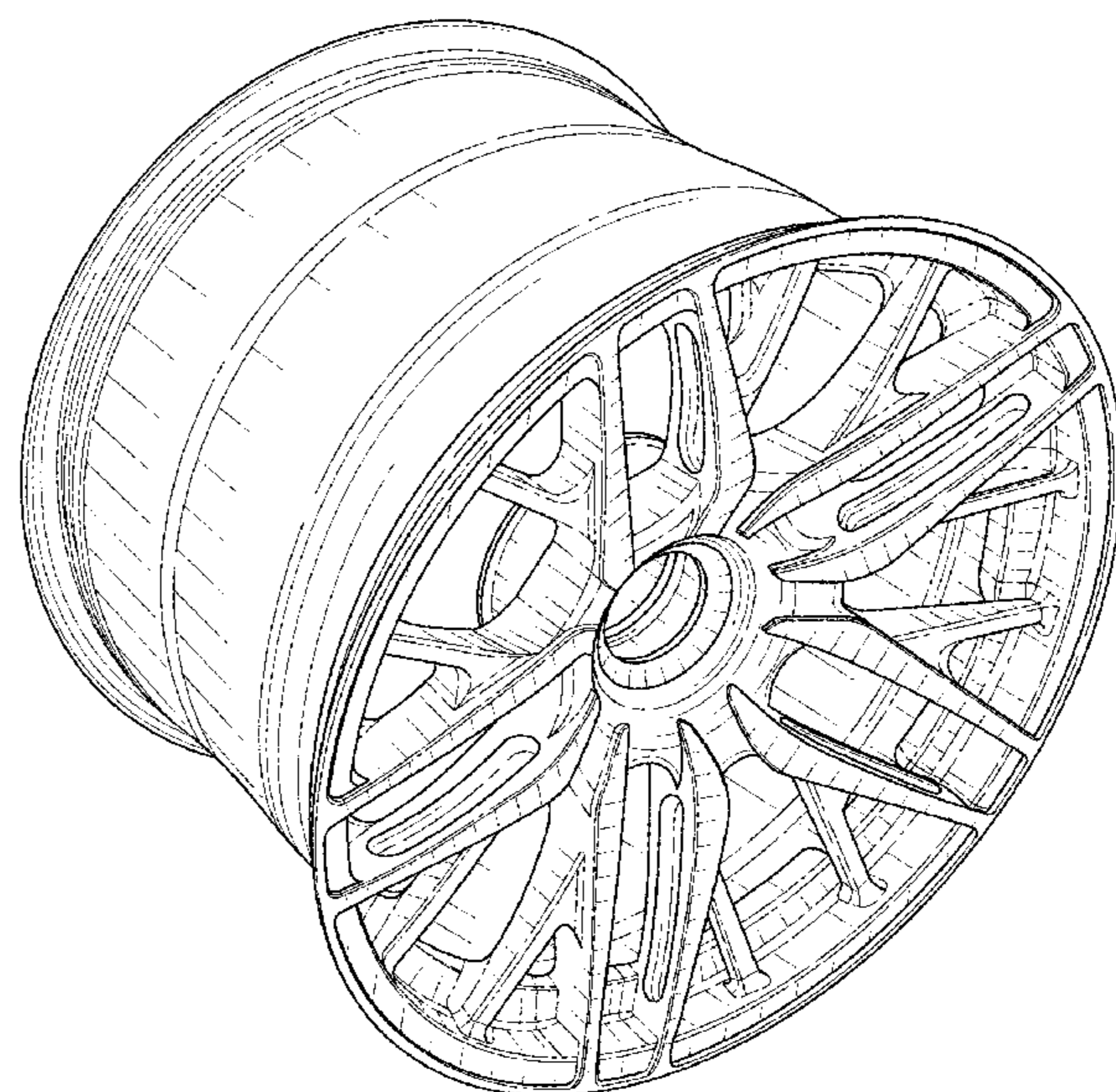
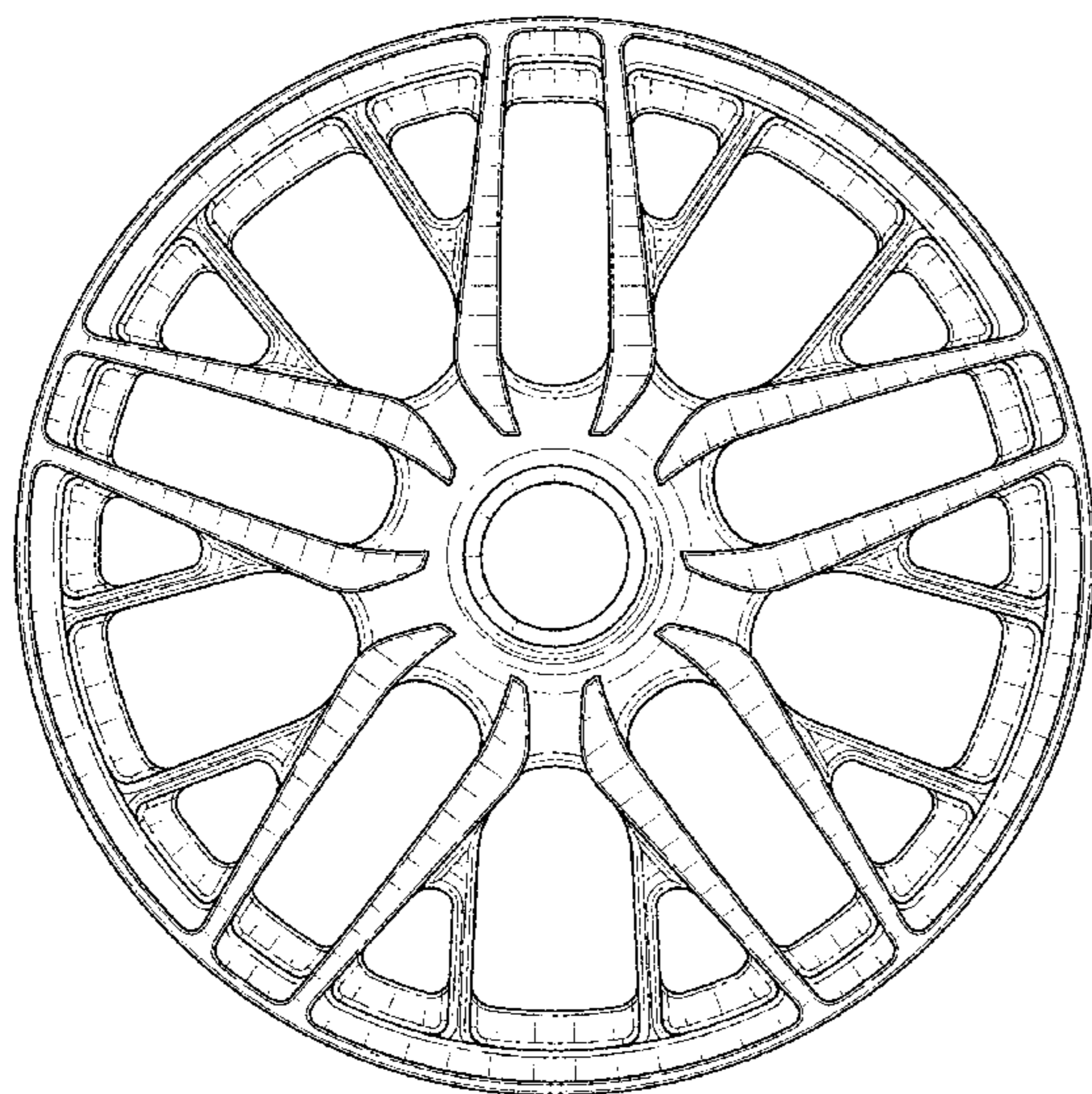
(57) **CLAIM**

The ornamental design for a vehicle wheel rim, as shown and described.

**DESCRIPTION**

FIG. 1 is a front view thereof; and,  
FIG. 2 is a perspective view thereof.

**1 Claim, 2 Drawing Sheets**



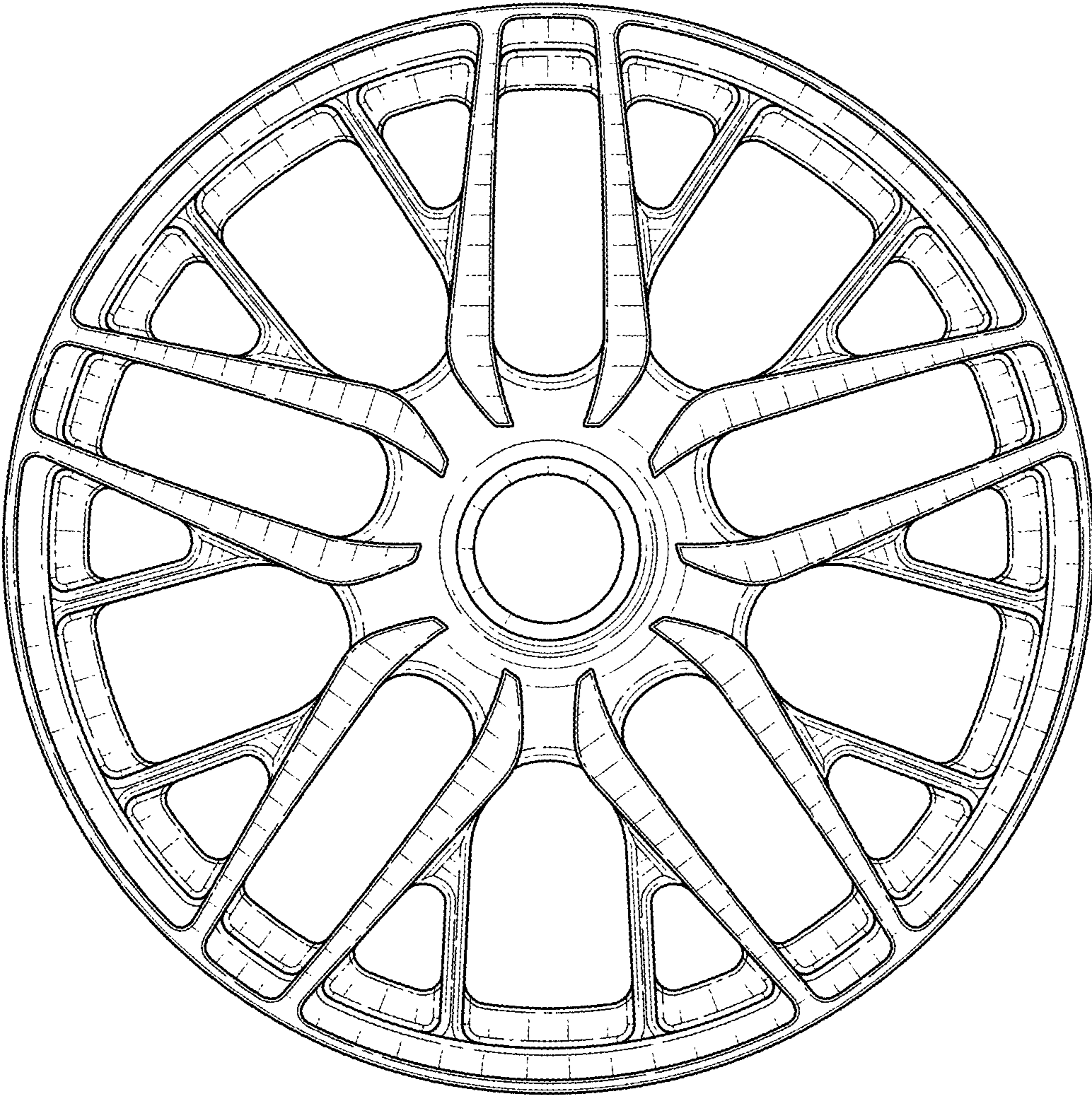


FIG. 1

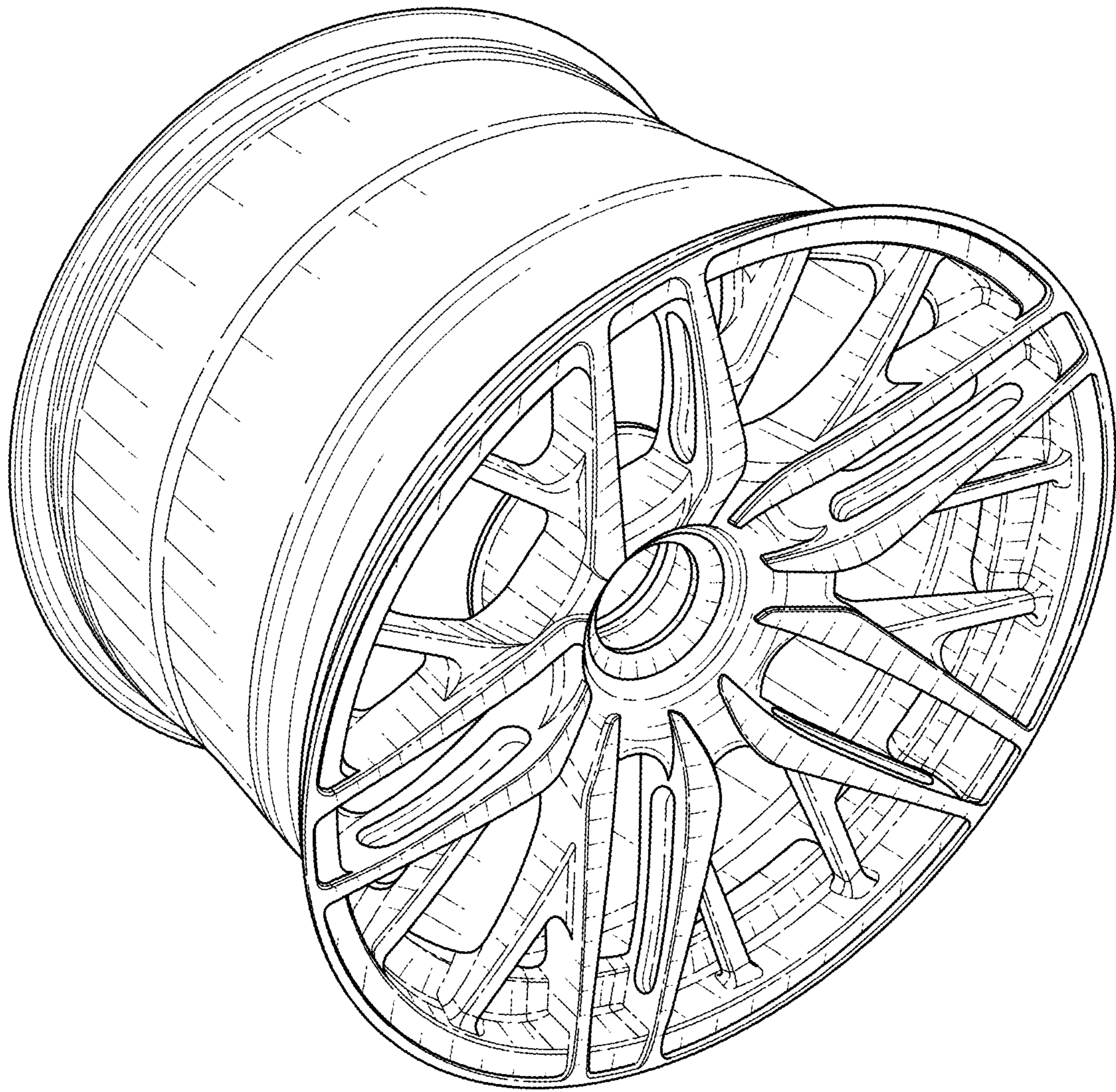


FIG. 2