



US00D835559S

(12) **United States Design Patent**
Langhals et al.

(10) **Patent No.:** **US D835,559 S**

(45) **Date of Patent:** **** Dec. 11, 2018**

(54) **AUTOMOBILE WHEEL**

(71) Applicants: **Taylor A Langhals**, Waterford, MI (US); **Vincent J Galante**, Lake Orion, MI (US); **Mark T Allen**, Oxford, MI (US)

(72) Inventors: **Taylor A Langhals**, Waterford, MI (US); **Vincent J Galante**, Lake Orion, MI (US); **Mark T Allen**, Oxford, MI (US)

(73) Assignee: **FCA US LLC**, Auburn Hills, MI (US)

(**) Term: **15 Years**

(21) Appl. No.: **29/575,312**

(22) Filed: **Aug. 24, 2016**

(51) **LOC (11) Cl.** **12-16**

(52) **U.S. Cl.**
USPC **D12/209**

(58) **Field of Classification Search**
USPC D12/204–213; D21/533, 561, 563
CPC B60B 7/00; B60B 7/02; B60B 7/04; B60B 7/06; B60B 3/02; B60B 3/04; B60B 3/06; B60B 3/10; B60B 1/00; B60B 1/08; B60B 1/10; B60B 1/12
See application file for complete search history.

(56) **References Cited**

U.S. PATENT DOCUMENTS

D663,668 S * 7/2012 Pollmann D12/209
D726,626 S * 4/2015 Mays D12/211

D731,389 S * 6/2015 Gotschke D12/211
D748,552 S * 2/2016 Wagener D12/209
D749,029 S * 2/2016 Wheel D12/211
D753,574 S * 4/2016 Mielke D12/211
D755,691 S * 5/2016 Gardavsky D12/209
D768,047 S * 10/2016 Hans D12/211
D777,074 S * 1/2017 Valencia Pollex D12/211
D781,198 S * 3/2017 Owens D12/209
D795,148 S * 8/2017 Ariga D12/209
D795,152 S * 8/2017 Peat D12/211
D795,153 S * 8/2017 Peat D12/211
D797,023 S * 9/2017 Rueckheim D12/209
D808,324 S * 1/2018 Ninov D12/211

* cited by examiner

Primary Examiner — Sheryl Lane

Assistant Examiner — Calvin E Vansant

(74) *Attorney, Agent, or Firm* — Ralph E. Smith

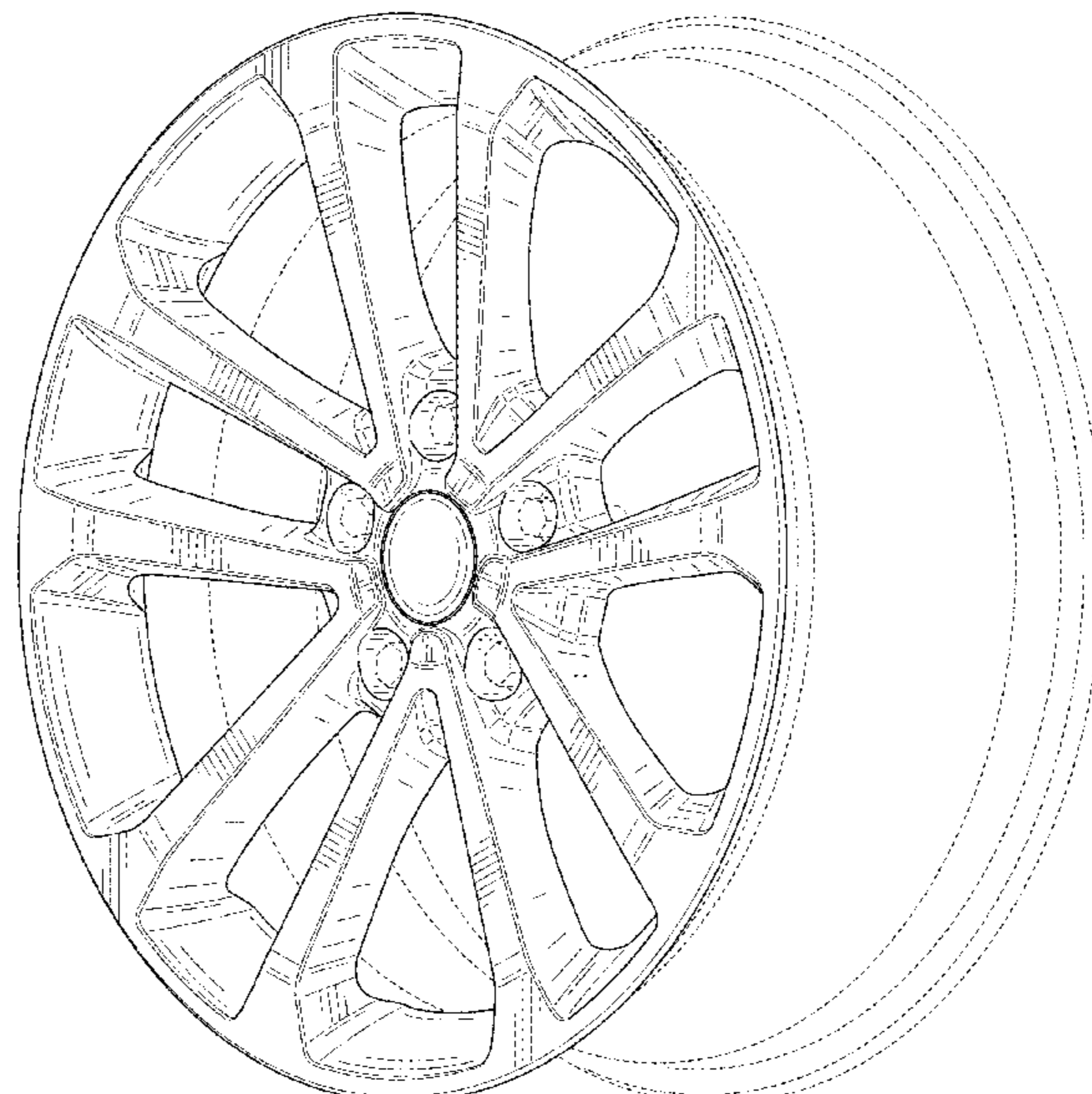
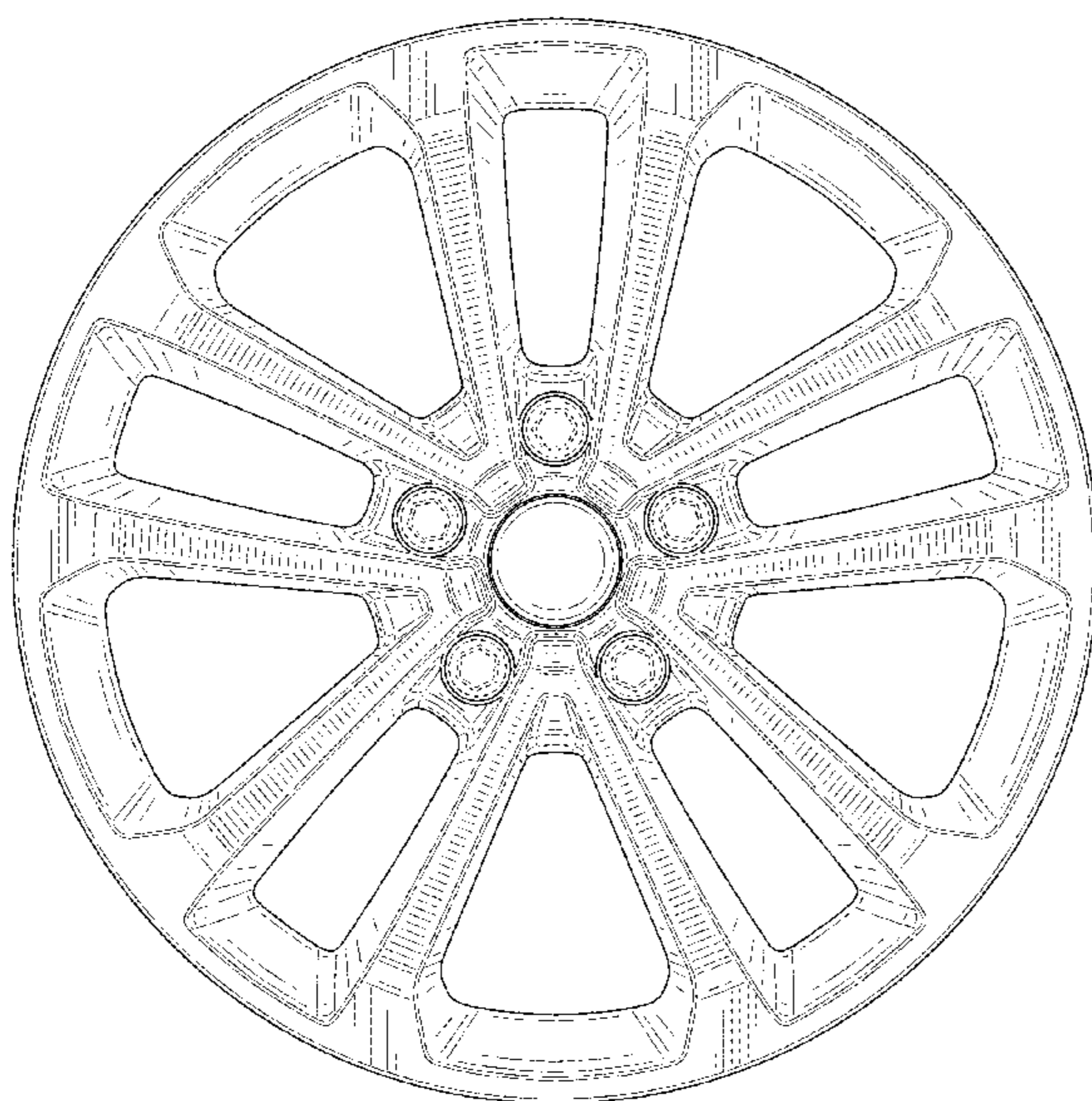
(57) **CLAIM**

The ornamental design for an automobile wheel, as shown and described.

DESCRIPTION

FIG. 1 is a front view of an automobile wheel showing our new design;
FIG. 2 is a left side perspective view thereof; and,
FIG. 3 is a right side perspective view.
It will be understood that the broken lines shown in the drawings illustrate portions of the automobile wheel that form no part of claimed design.

1 Claim, 3 Drawing Sheets



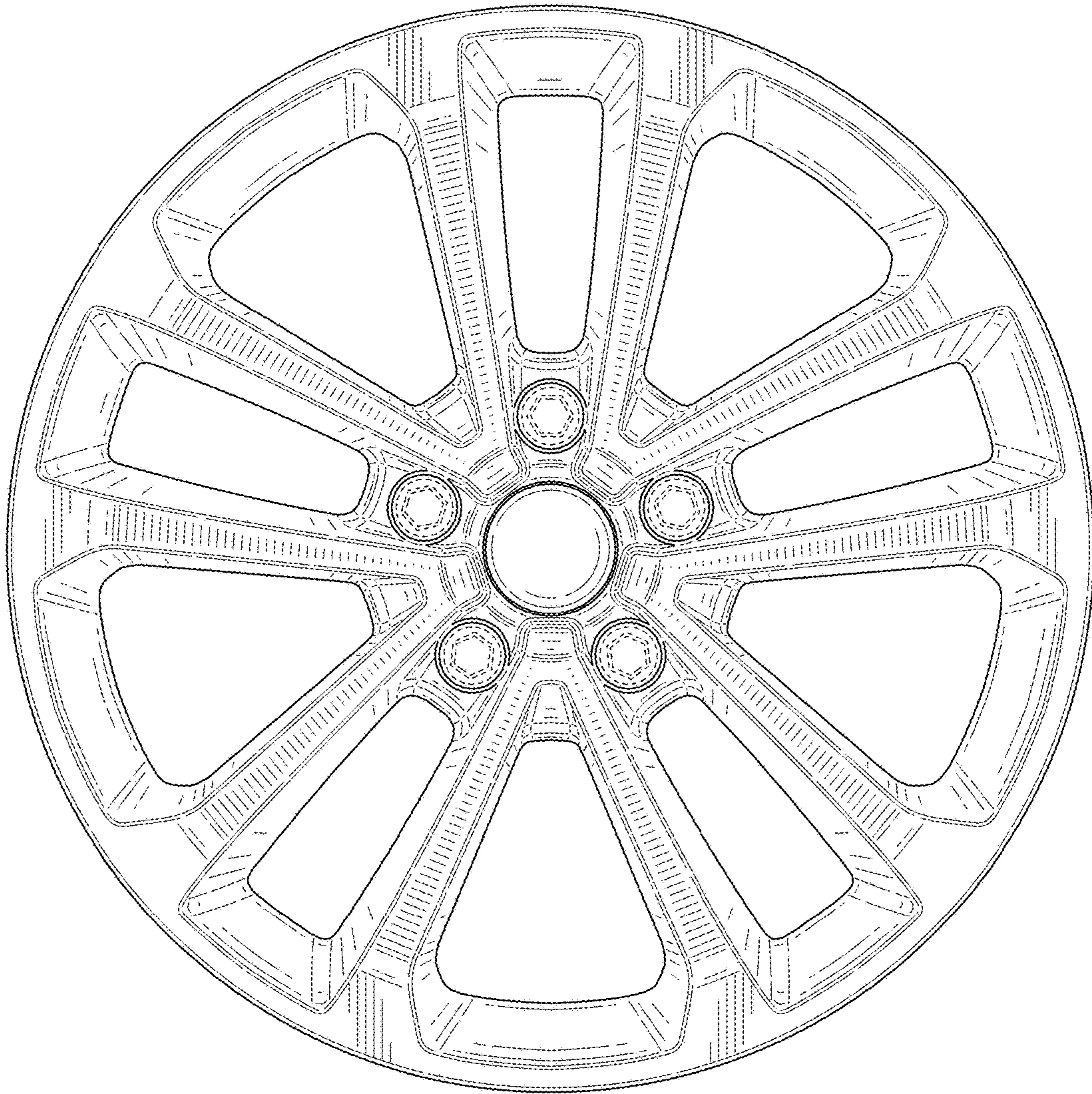


FIG. 1

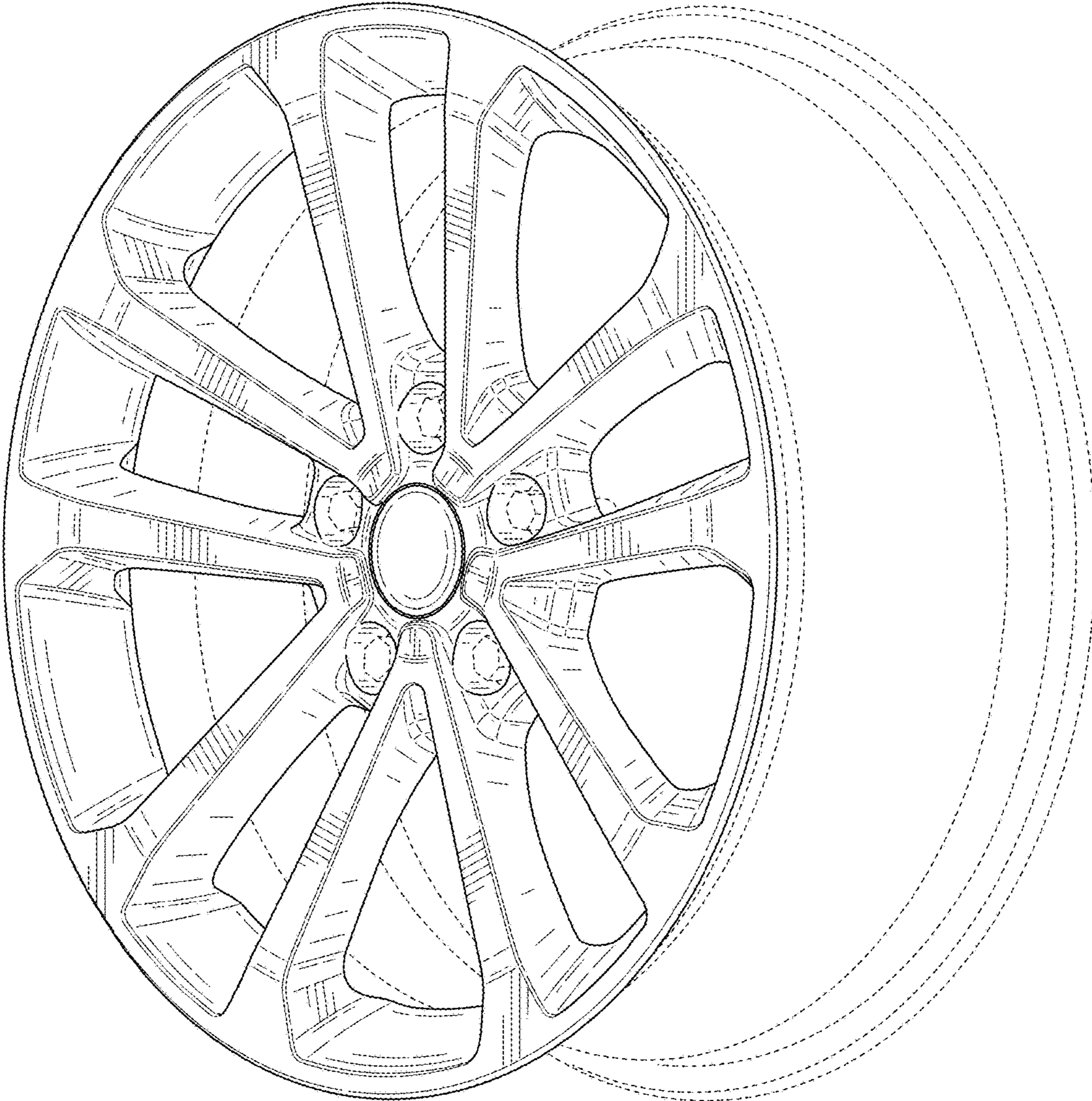


FIG. 2

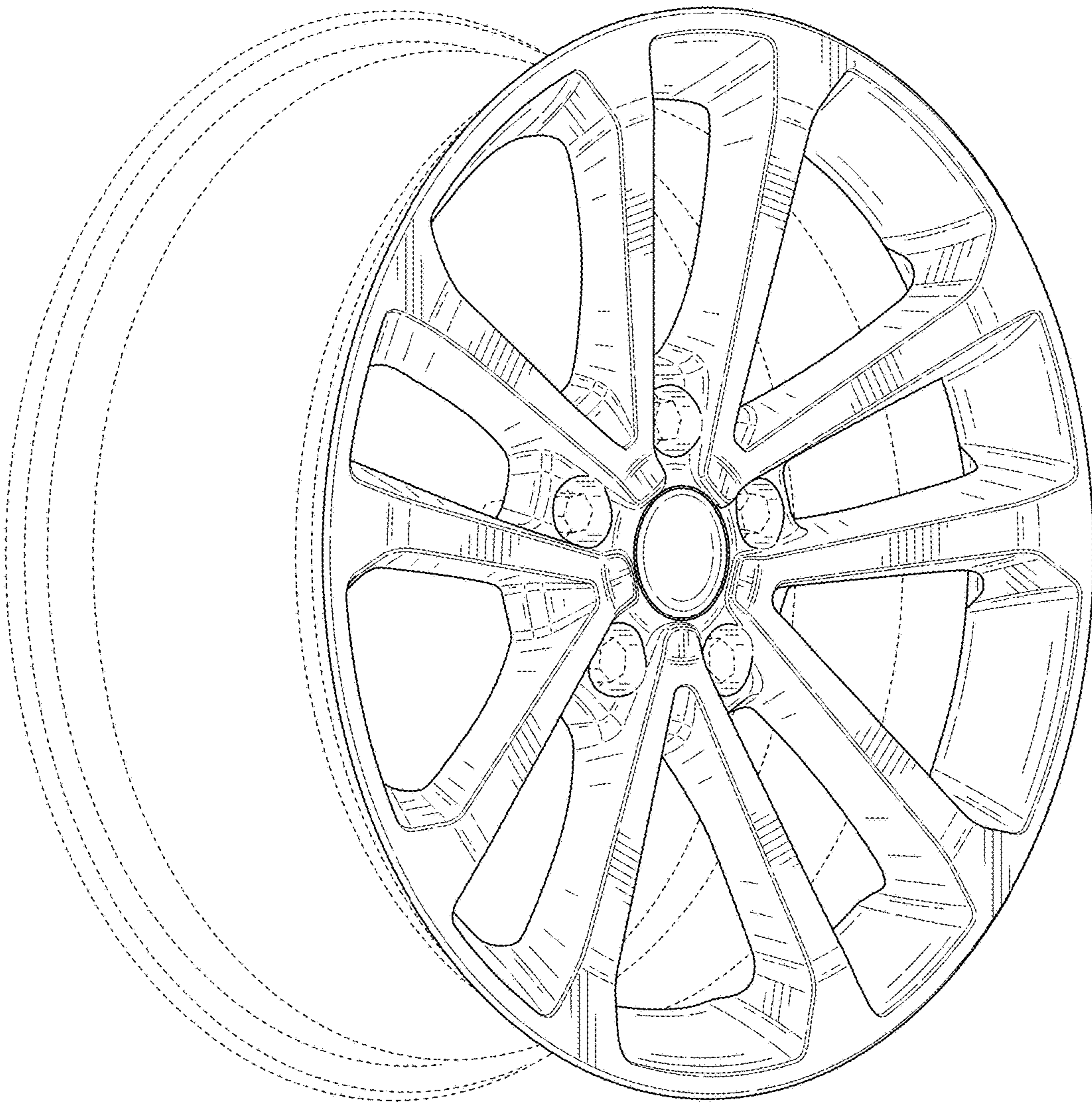


FIG. 3