



US00D835556S

(12) **United States Design Patent**
Ray et al.

(10) **Patent No.:** **US D835,556 S**

(45) **Date of Patent:** **** Dec. 11, 2018**

(54) **REAR DOOR CASING**

(71) Applicant: **Jaguar Land Rover Limited**, Whitley,
Coventry (GB)

(72) Inventors: **Paul Ray**, Coventry (GB); **Paul Hanstock**, Coventry (GB)

(73) Assignee: **Jaguar Land Rover Limited**, Whitley,
Coventry (GB)

(**) Term: **15 Years**

(21) Appl. No.: **29/622,374**

(22) Filed: **Oct. 17, 2017**

(30) **Foreign Application Priority Data**

Apr. 21, 2017 (EM) 003866789

(51) **LOC (11) Cl.** **12-16**

(52) **U.S. Cl.**
USPC **D12/195**

(58) **Field of Classification Search**
USPC D12/195, 193, 414, 190, 196; D15/17,
D15/28; D10/46, 9, 102-103, 302-303
CPC B60N 2/466; B60N 2/4693; B60J 5/04;
B60R 13/0243
See application file for complete search history.

(56) **References Cited**

U.S. PATENT DOCUMENTS

D761,176 S * 7/2016 Sandys D12/195
D763,757 S * 8/2016 Buffery D12/195

D801,899 S * 11/2017 Watkin D12/195
D820,754 S * 6/2018 Buffery D12/195
D822,567 S * 7/2018 Simm D12/196
D822,568 S * 7/2018 Choi D12/196
D823,208 S * 7/2018 Boyes D12/195

* cited by examiner

Primary Examiner — Katrina A Betton

(74) *Attorney, Agent, or Firm* — Wood Herron & Evans
LLP

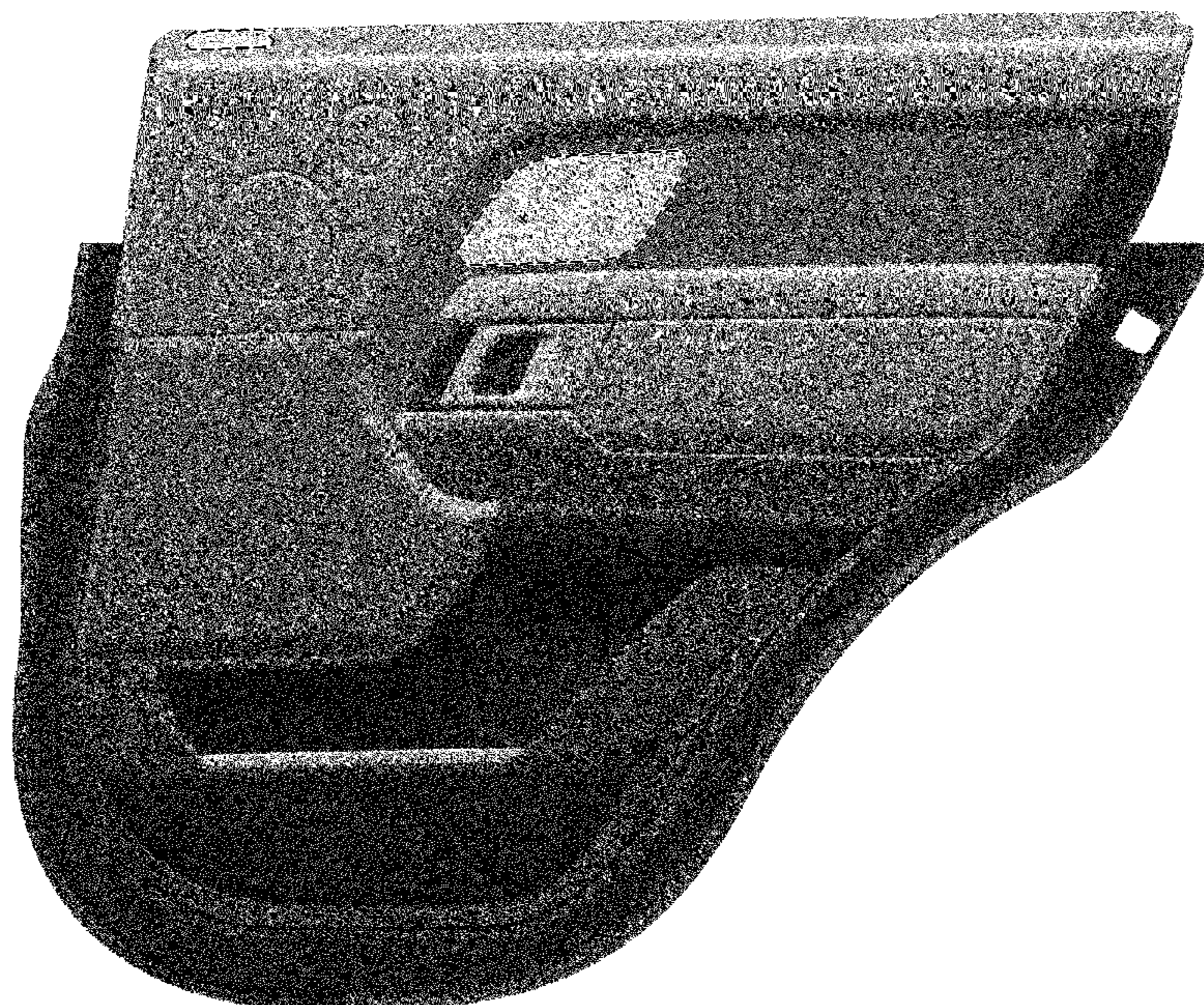
(57) **CLAIM**

The ornamental design for a rear door casing, as shown and described.

DESCRIPTION

FIG. 1 is a front left perspective view of a rear door casing according to the present invention.
FIG. 2 is a front right perspective view of the rear door casing shown in FIG. 1.
FIG. 3 is a rear left perspective view thereof.
FIG. 4 is a rear right perspective view thereof.
FIG. 5 is a front view thereof.
FIG. 6 is a rear view thereof.
FIG. 7 is a left side view thereof.
FIG. 8 is a right side view thereof.
FIG. 9 is a top view thereof; and,
FIG. 10 is a bottom view thereof.
The broken lines comprise claim boundaries and neither the portions inside the broken lines nor the broken lines themselves form any part of the claimed invention.

1 Claim, 8 Drawing Sheets



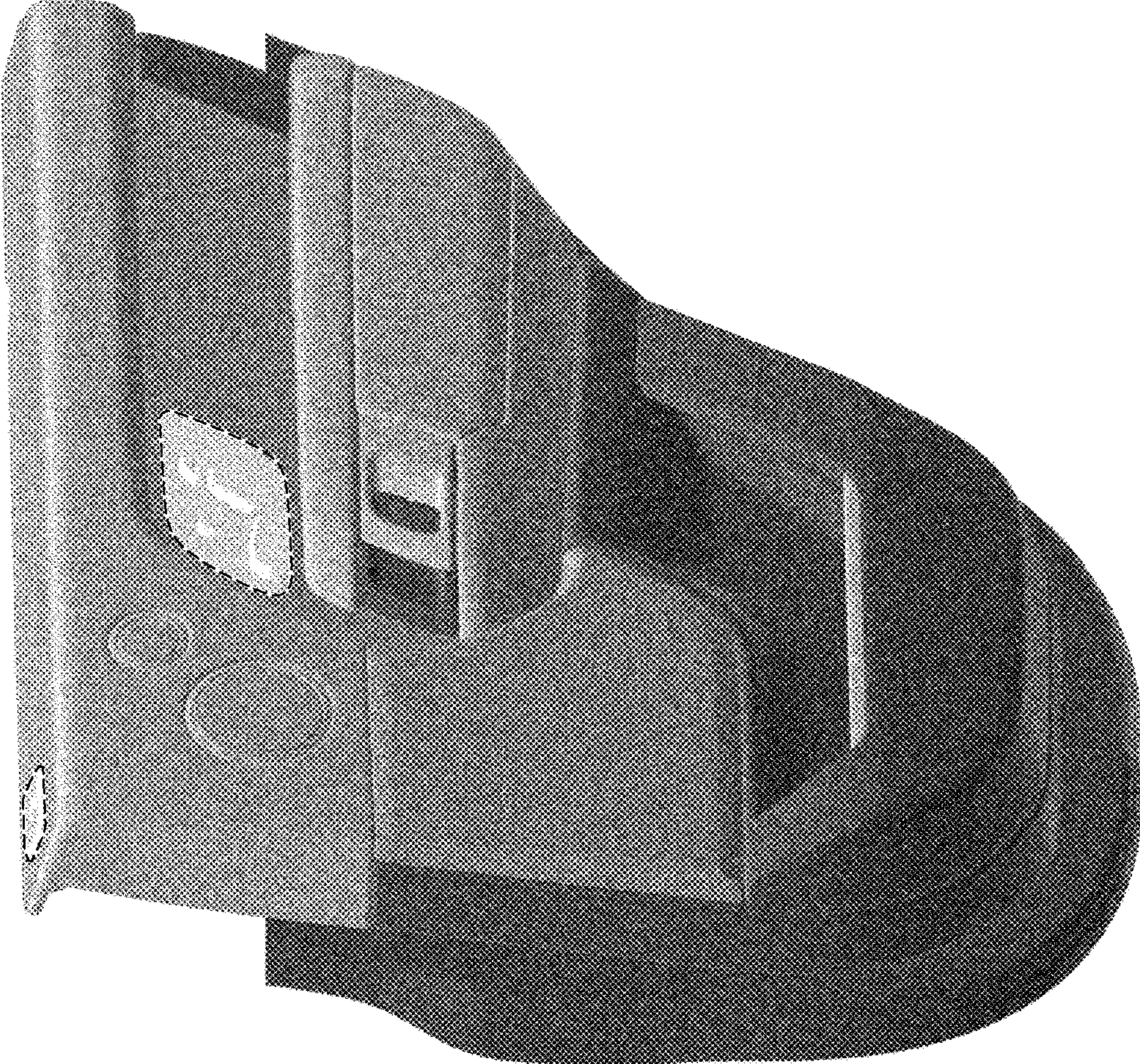


FIG. 1

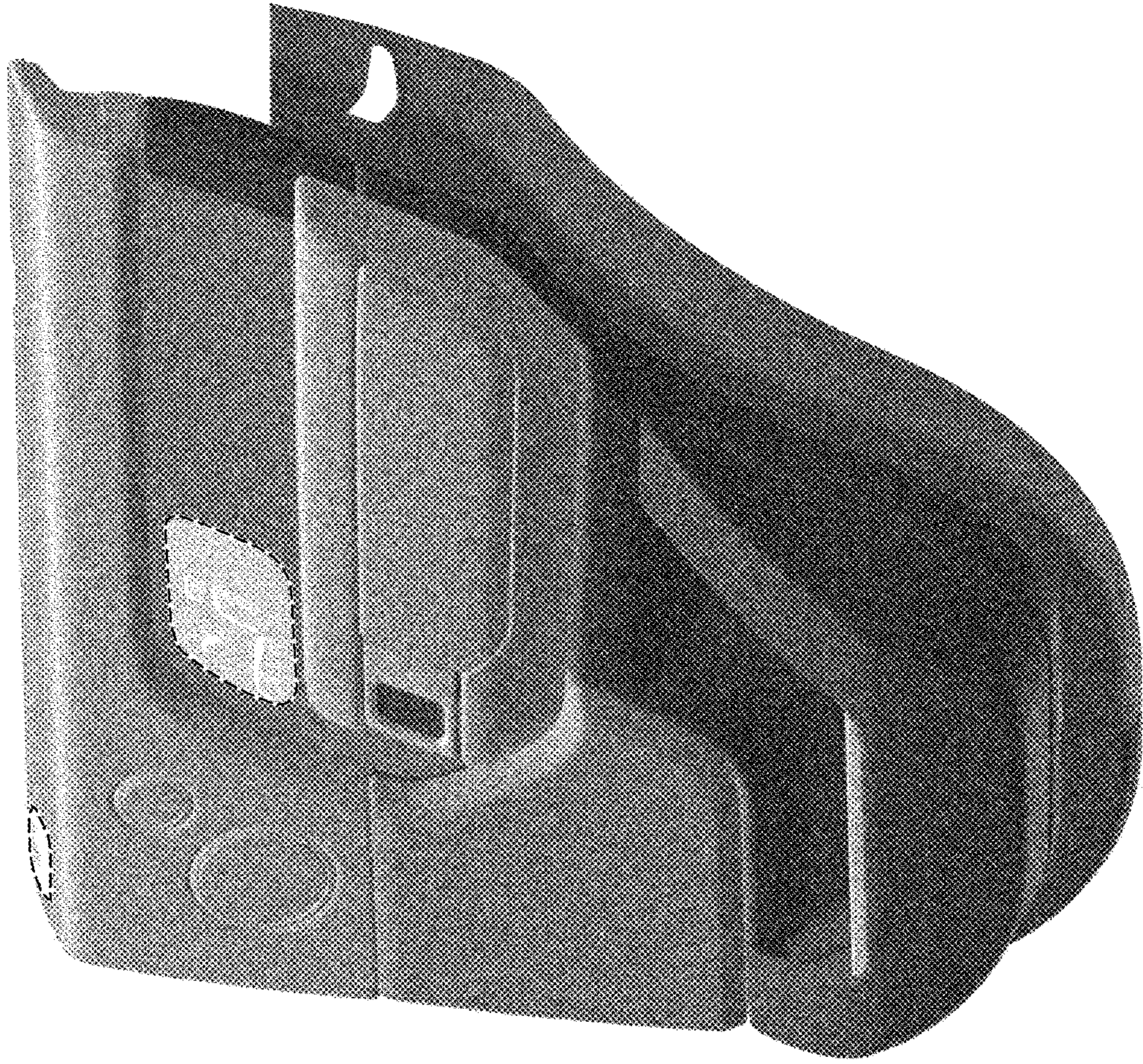


FIG. 2

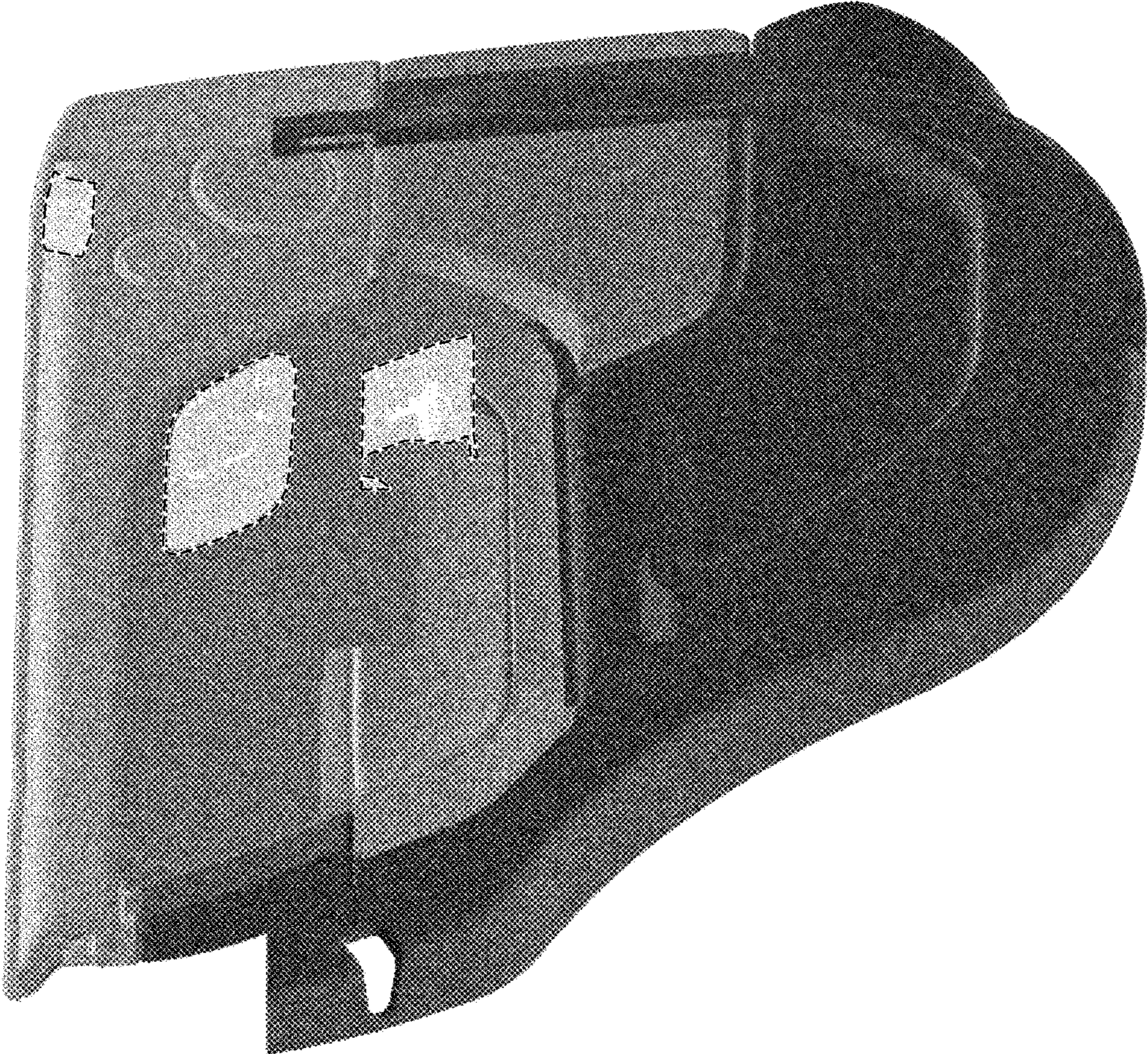


FIG. 3

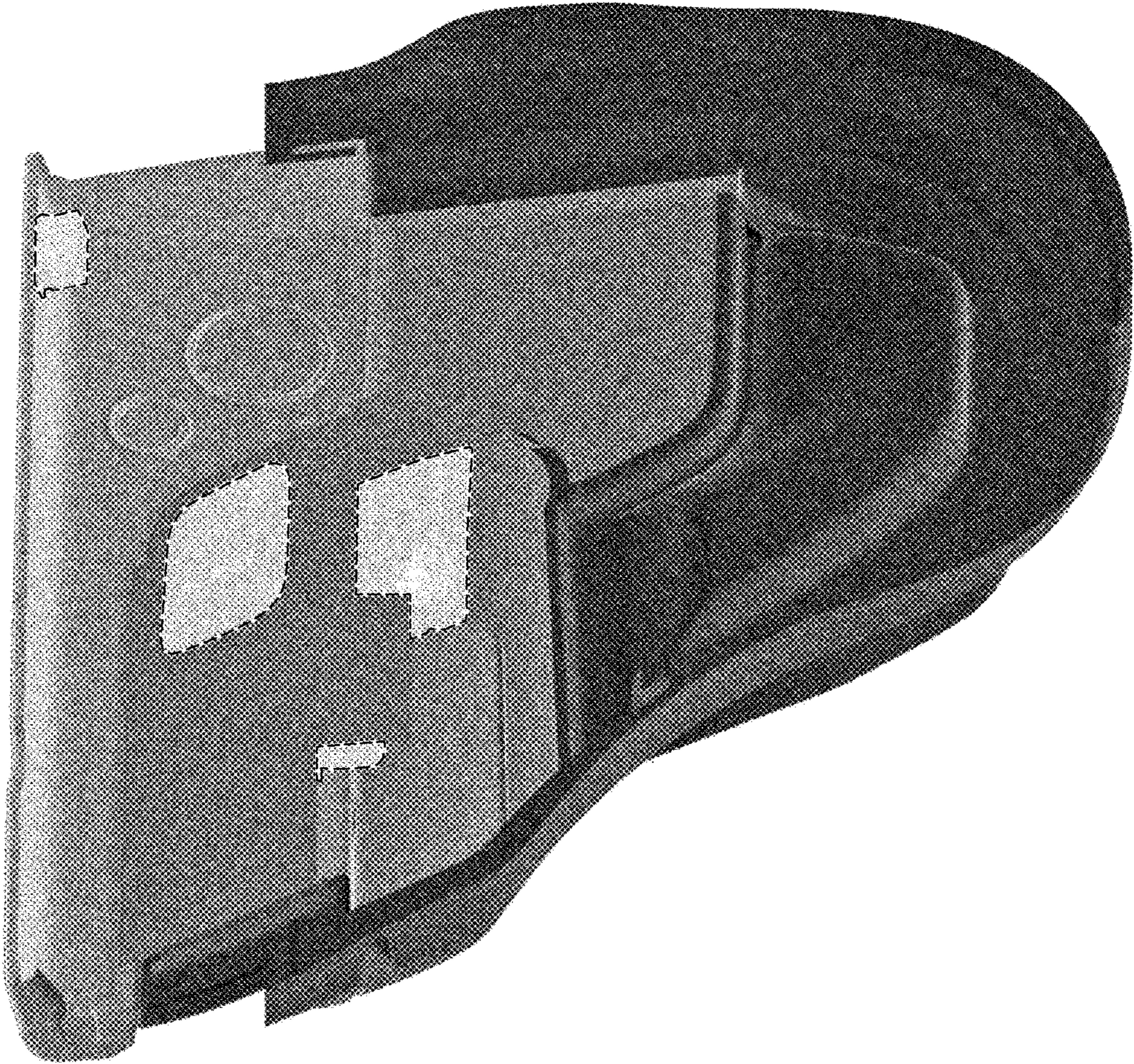


FIG. 4



FIG. 5

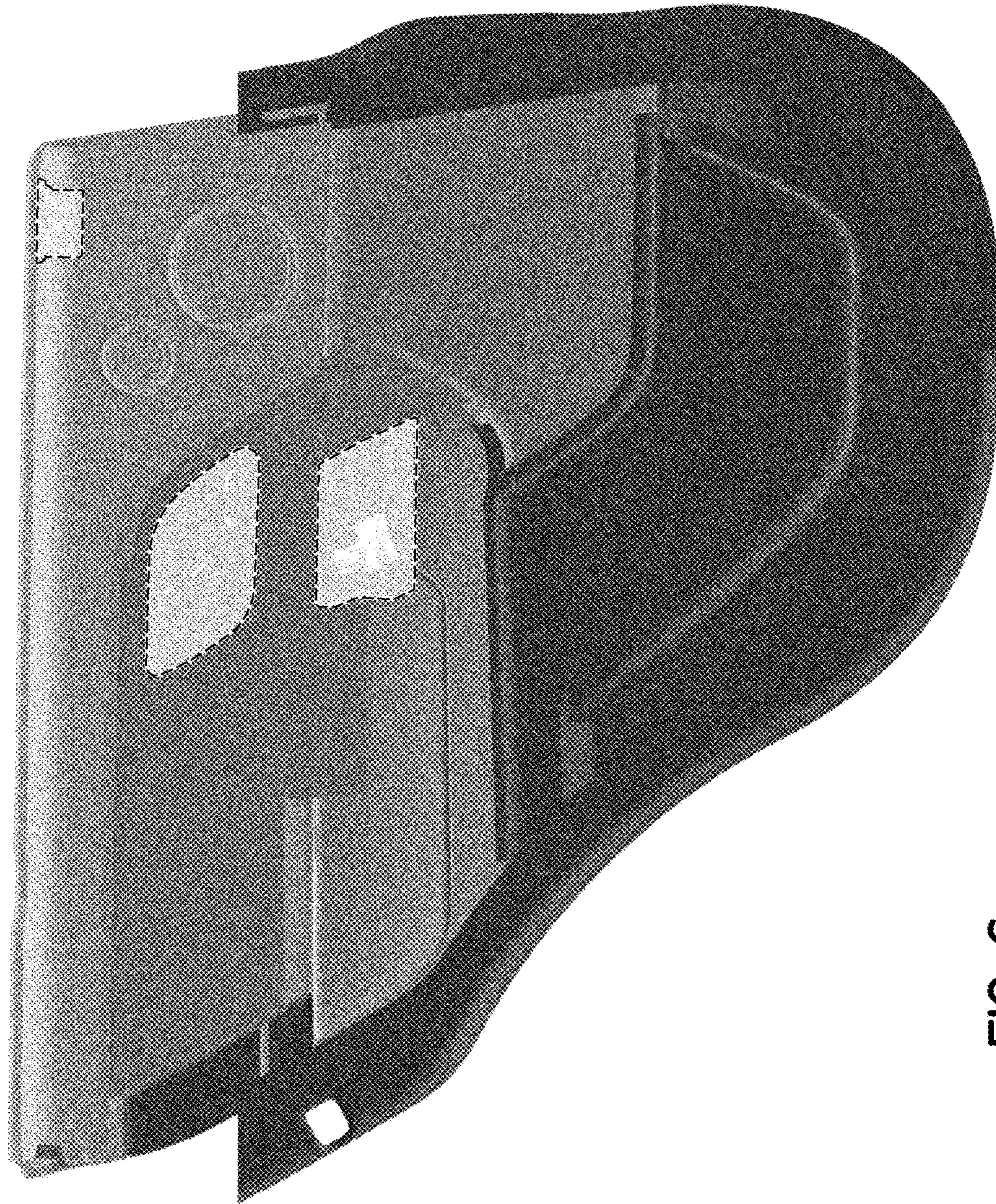


FIG. 6

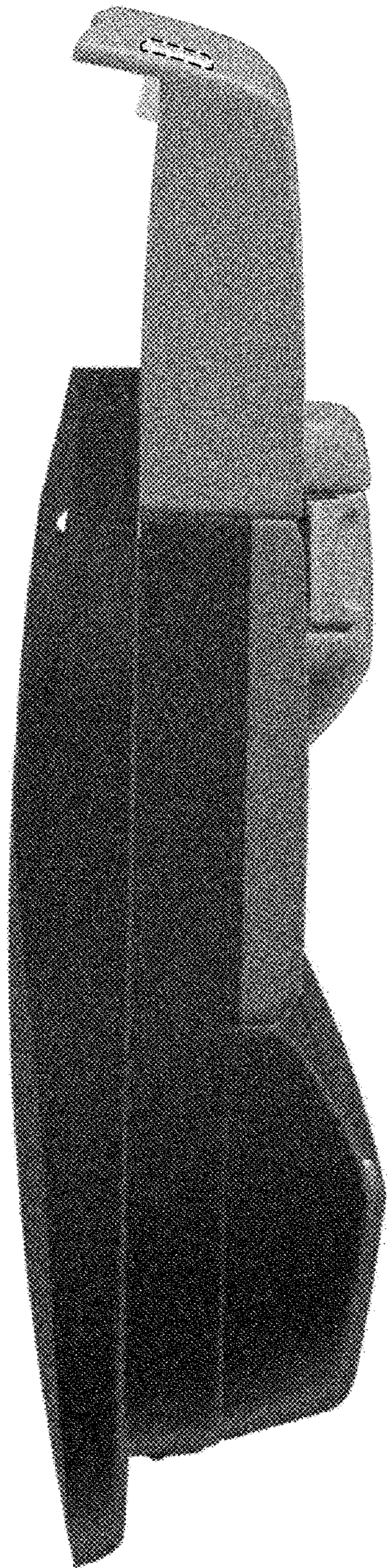


FIG. 7

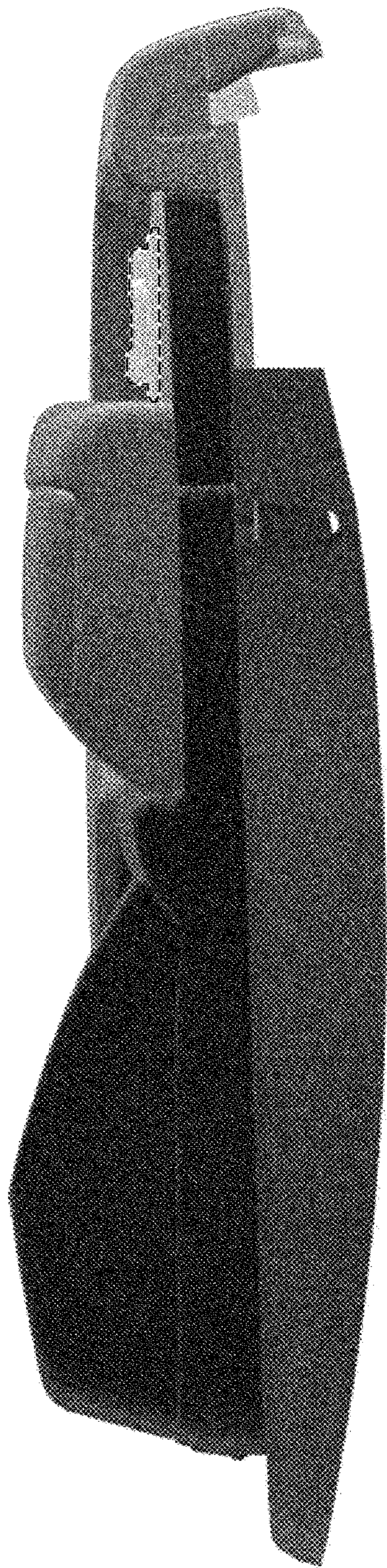


FIG. 8

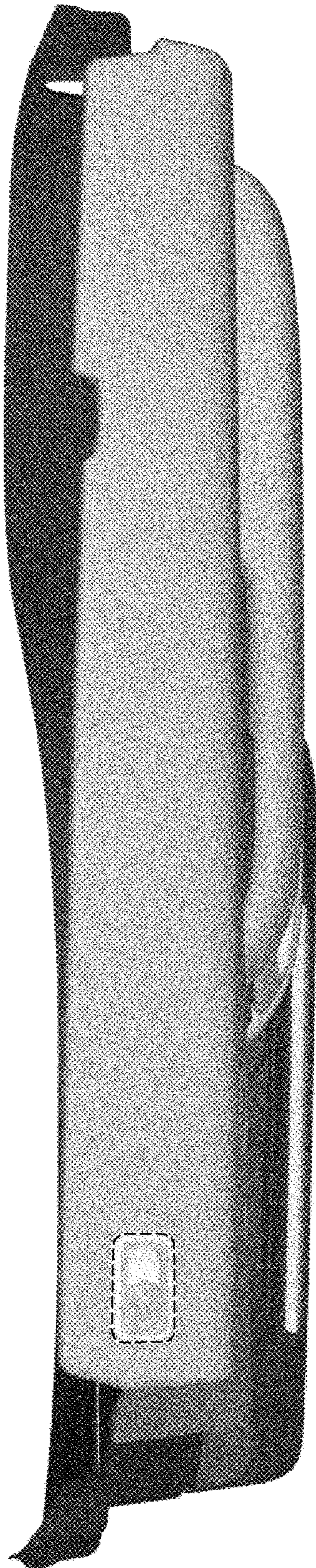


FIG. 9

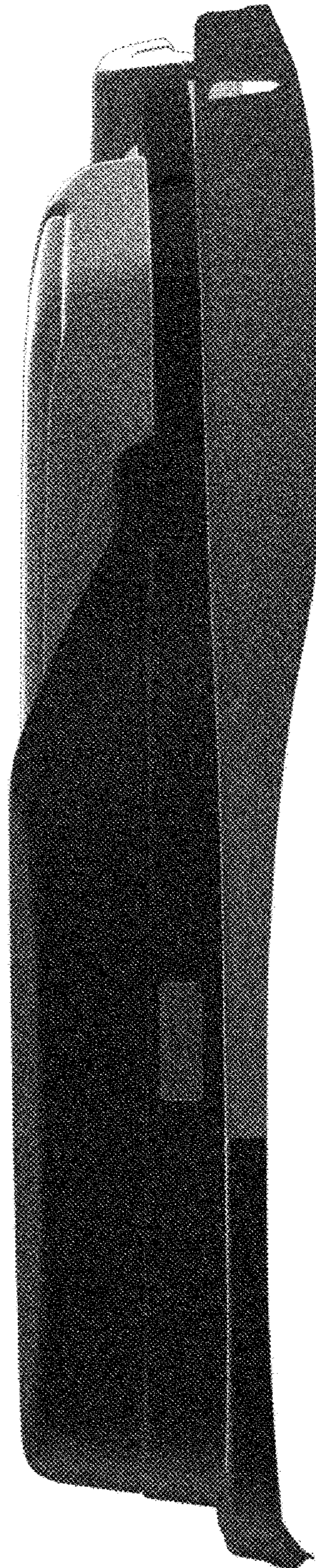


FIG. 10