



US00D835553S

(12) **United States Design Patent** (10) **Patent No.:** **US D835,553 S**
Barber et al. (45) **Date of Patent:** **** Dec. 11, 2018**

- (54) **COCKPIT**
- (71) Applicant: **Rockwell Collins, Inc.**, Cedar Rapids, IA (US)
- (72) Inventors: **Sarah Barber**, Cedar Rapids, IA (US); **Kirschen A. Seah**, Cedar Rapids, IA (US)
- (73) Assignee: **Rockwell Collins, Inc.**, Cedar Rapids, IA (US)
- (**) Term: **15 Years**
- (21) Appl. No.: **29/569,687**
- (22) Filed: **Jun. 29, 2016**
- (51) **LOC (11) Cl.** **12-16**
- (52) **U.S. Cl.**
USPC **D12/192**
- (58) **Field of Classification Search**
USPC D12/192, 415, 418, 419, 110, 114, 345;
D15/17, 28; D10/46, 98, 102-103,
D10/122-127
CPC G08G 1/096883; G01C 21/16; G01C
21/3688; G01C 21/30
See application file for complete search history.

- D755,745 S * 5/2016 Williams D14/126
D757,619 S * 5/2016 Da Silveira D12/192
D758,108 S * 6/2016 Do D6/678
D758,109 S * 6/2016 Do D6/678
D777,069 S * 1/2017 Ahn D12/192
D802,504 S * 11/2017 Weng D12/192
D808,874 S * 1/2018 Gao D12/192
D813,769 S * 3/2018 Yaguchi D12/192
2010/0332054 A1* 12/2010 Brandao G08G 5/0013
701/3

* cited by examiner

Primary Examiner — Katrina A Betton

(74) *Attorney, Agent, or Firm* — Angel N. Gerdzhikov;
Donna P. Suchy; Daniel M. Barbieri

(57) **CLAIM**

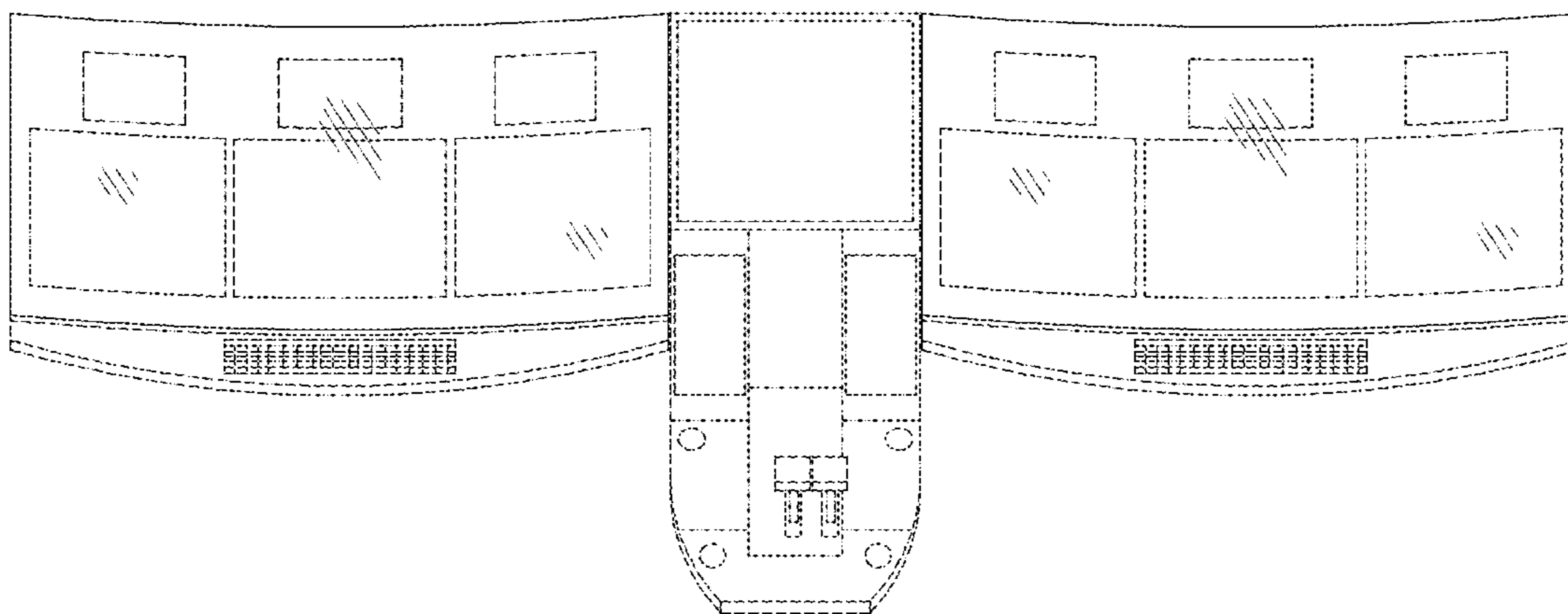
The ornamental design for a cockpit, as shown and described.

DESCRIPTION

FIG. 1 is a perspective view of a cockpit showing our new design;
FIG. 2 is a top plan view thereof;
FIG. 3 is a front elevational view thereof;
FIG. 4 is a right elevational view thereof;
FIG. 5 is a back elevational view thereof;
FIG. 6 is left elevational view thereof; and,
FIG. 7 is a bottom plan view thereof.
In the drawings, the broken lines depict portions of the cockpit that form no part of the claimed design.

1 Claim, 7 Drawing Sheets

- (56) **References Cited**
U.S. PATENT DOCUMENTS
D697,862 S * 1/2014 Nemeth D12/192
D744,920 S * 12/2015 Weng D12/192



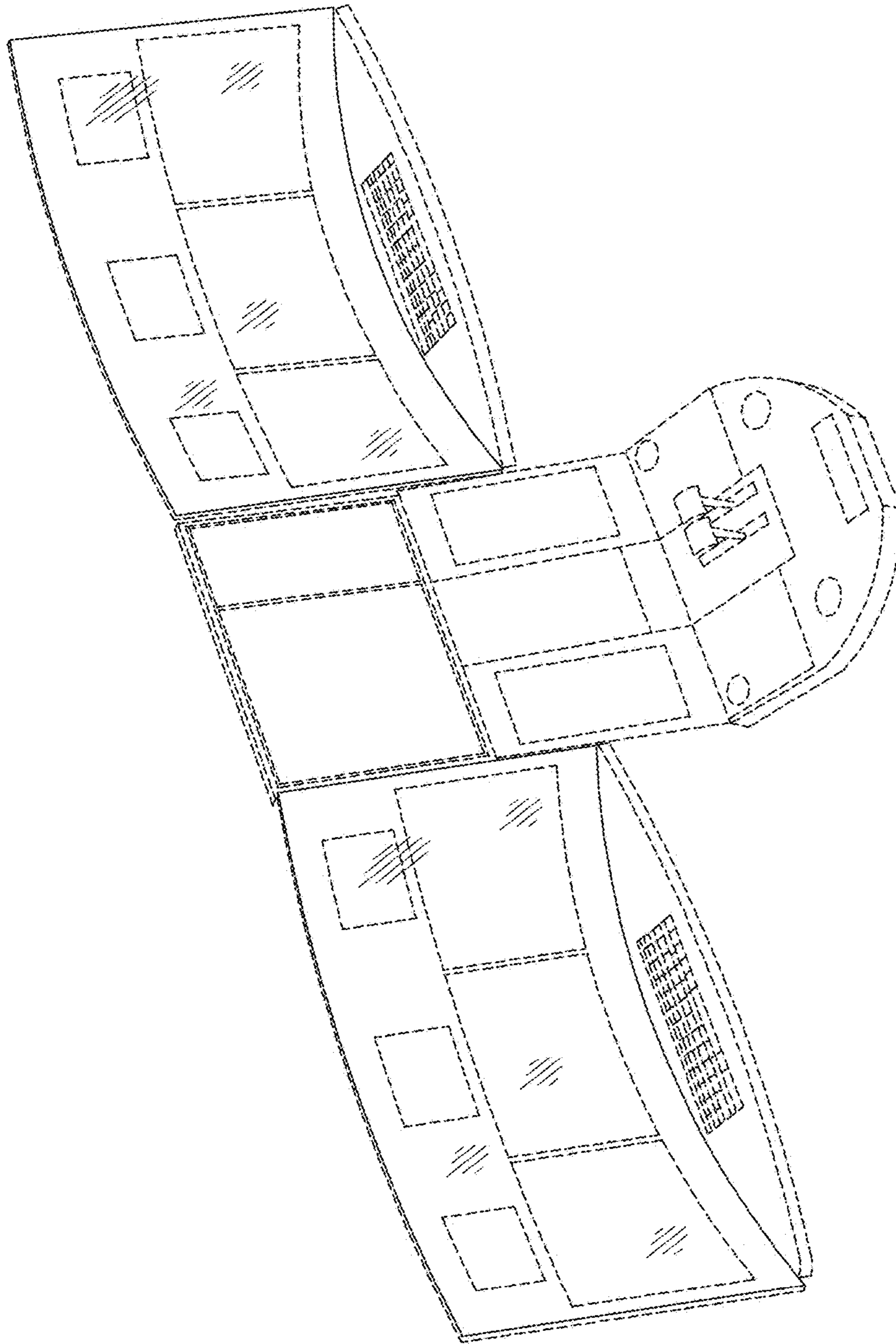


FIG. 1

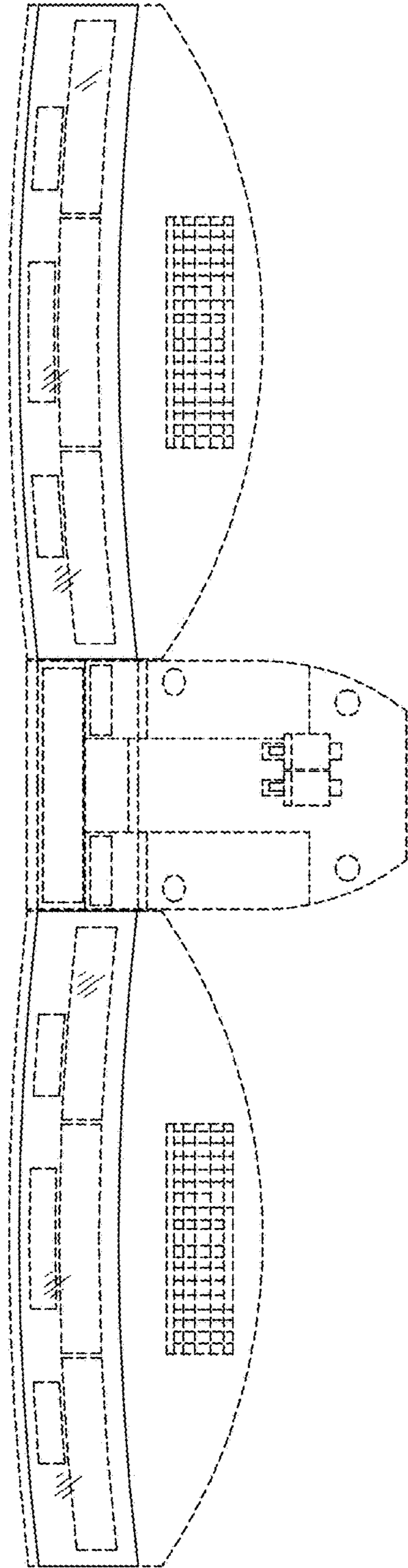


FIG. 2

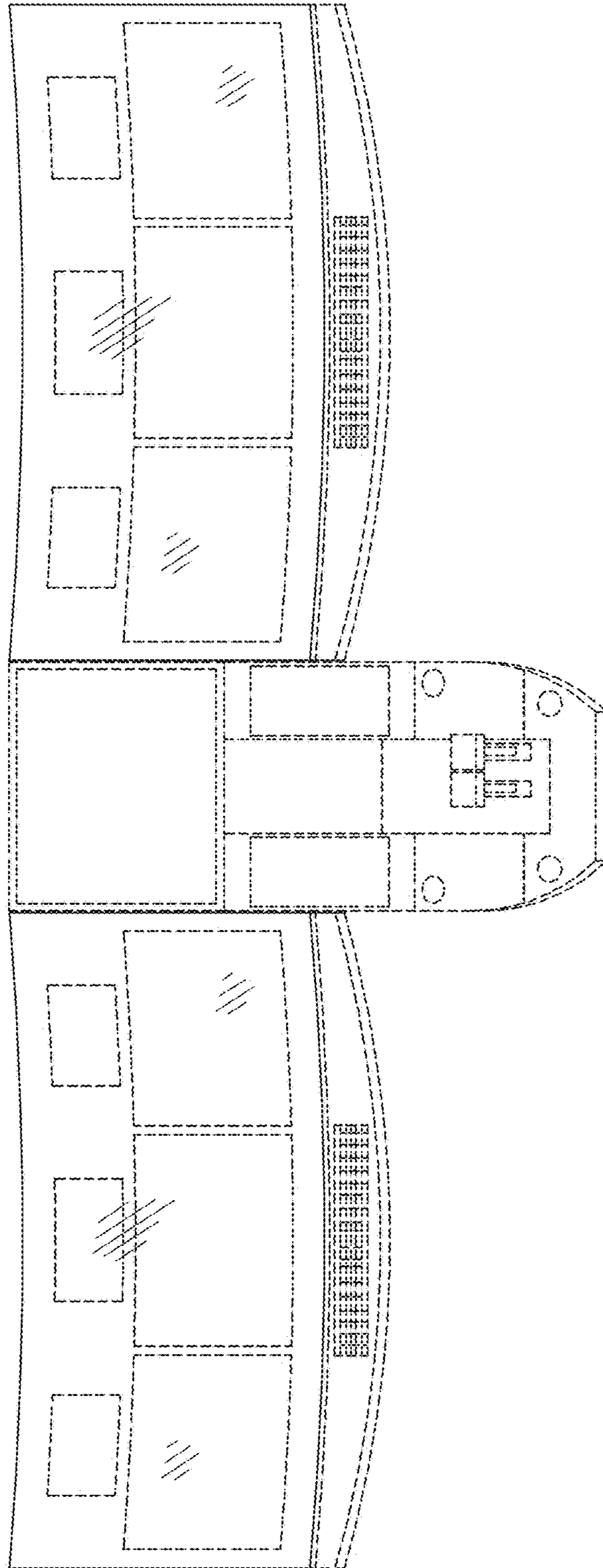


FIG. 3

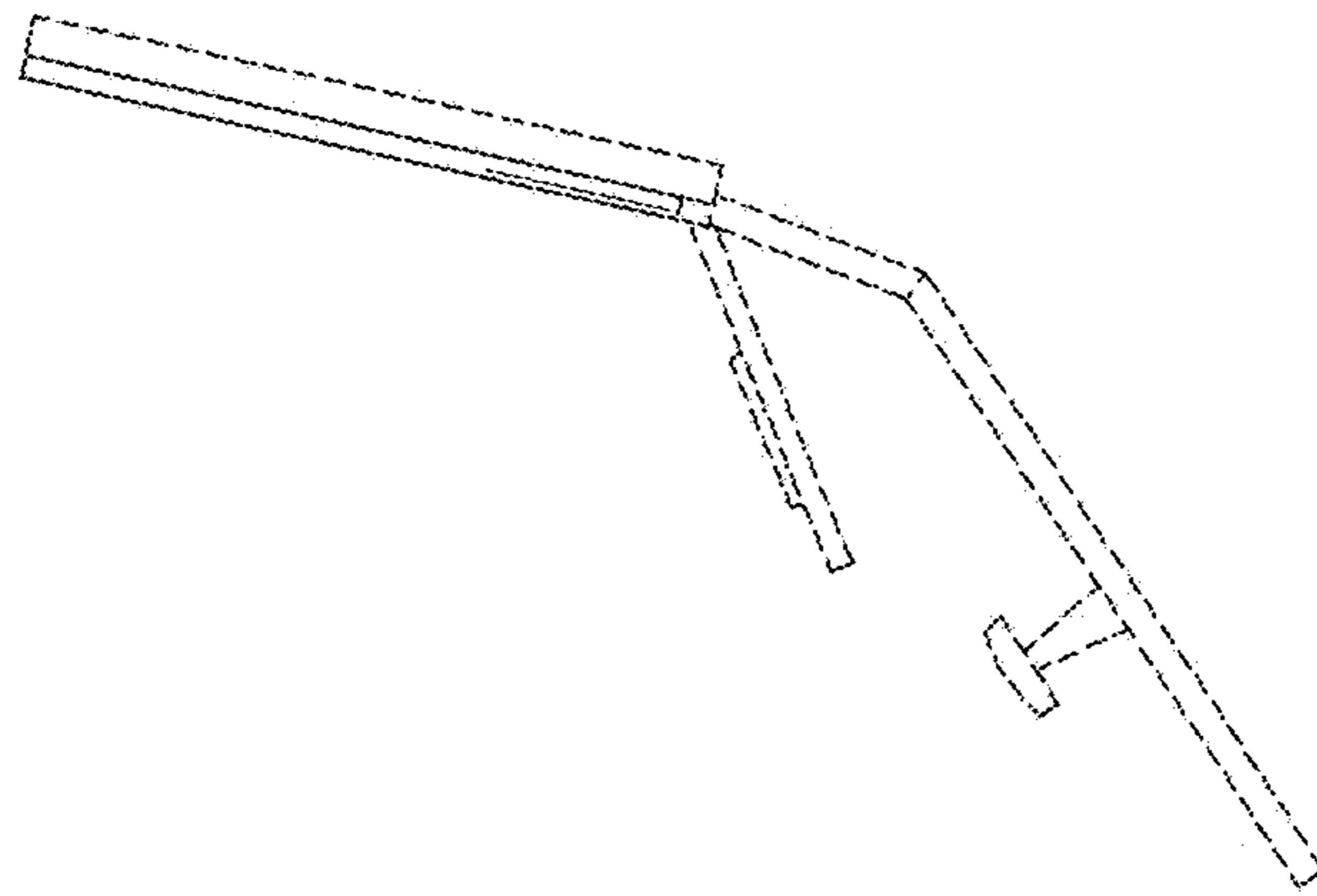


FIG. 4

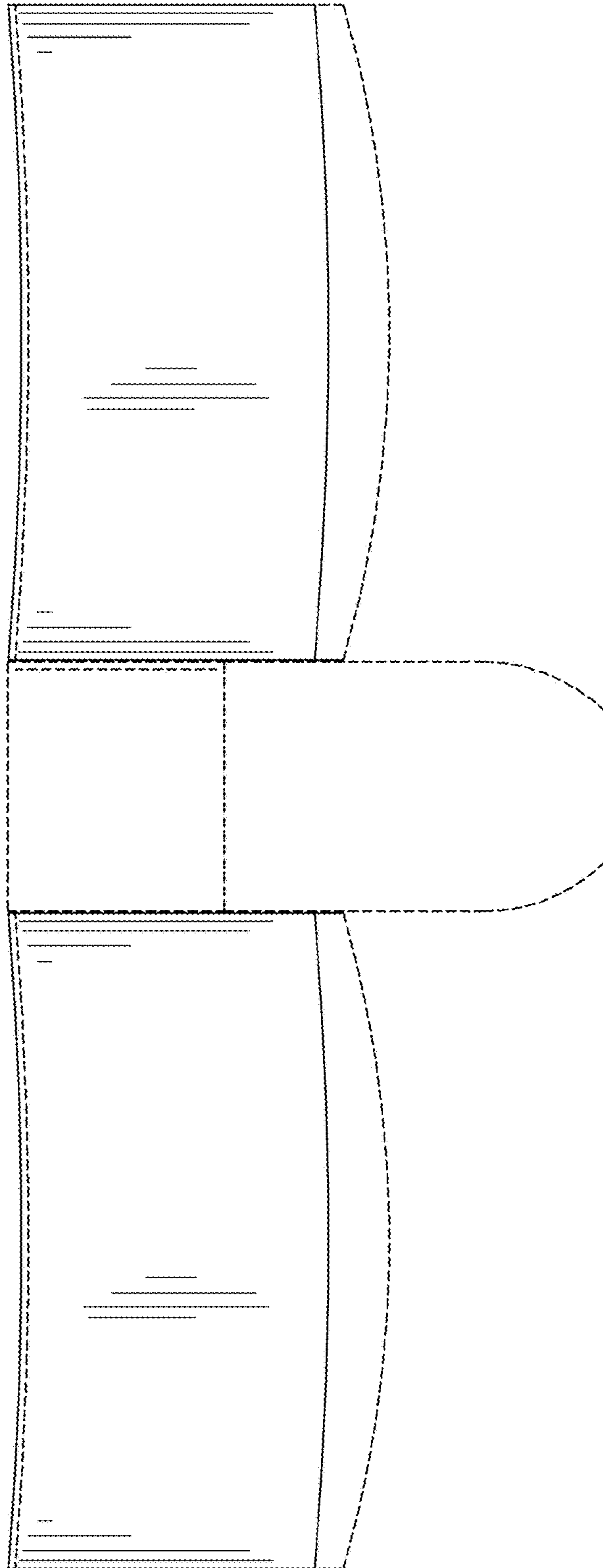


FIG. 5

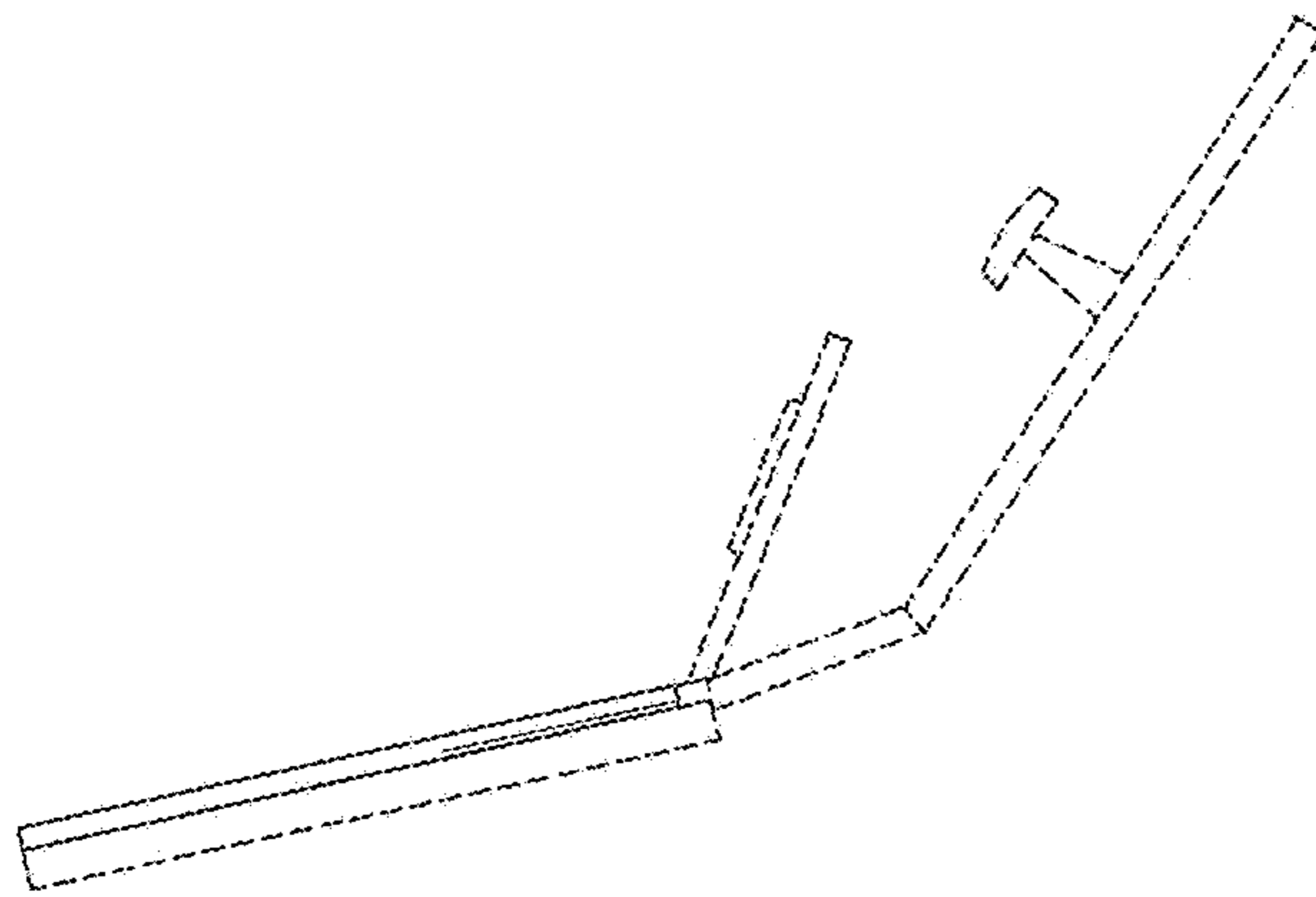


FIG. 6

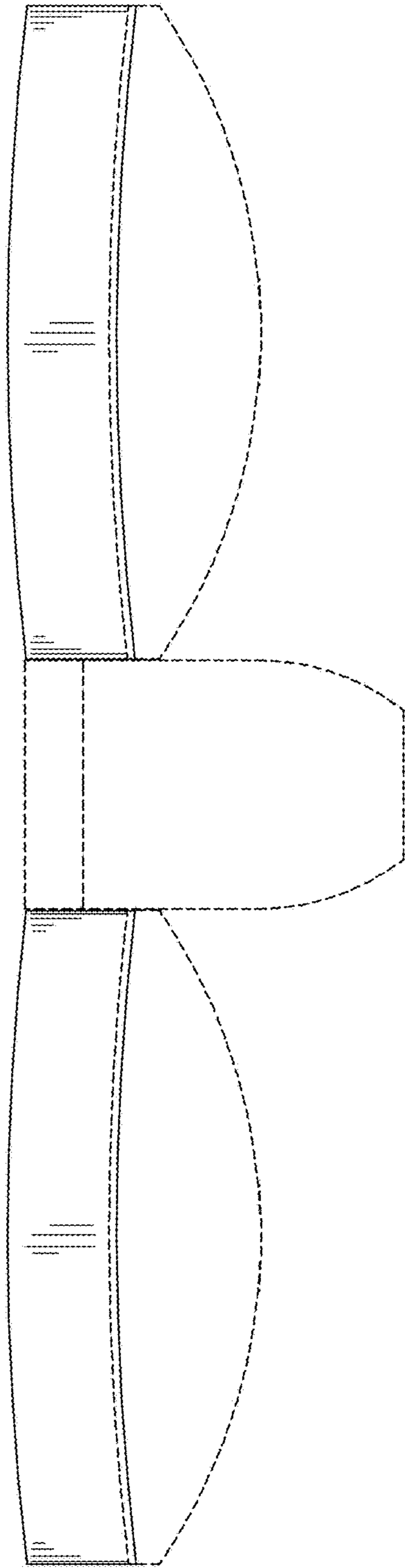


FIG. 7