



US00D83552S

(12) **United States Design Patent** (10) **Patent No.:** **US D835,552 S**  
**Goodrich et al.** (45) **Date of Patent:** **\*\* Dec. 11, 2018**

(54) **HOOD LATCH** D696,106 S \* 12/2013 Tachibana ..... D8/395  
D721,949 S \* 2/2015 Kim ..... D8/395  
(71) Applicants: **Stephen Goodrich**, Clawson, MI (US); D747,246 S \* 1/2016 Ohashi ..... D12/190  
**Brian H Nielander**, Royal Oak, MI D795,769 S \* 8/2017 Ohashi ..... D12/190  
(US) D795,770 S \* 8/2017 Ohashi ..... D12/190  
2007/0246952 A1\* 10/2007 Beauchamp ..... E05B 83/24  
292/216  
(72) Inventors: **Stephen Goodrich**, Clawson, MI (US); 2012/0049543 A1\* 3/2012 Park ..... E05B 83/24  
**Brian H Nielander**, Royal Oak, MI 292/220  
(US) 2015/0293379 A1\* 10/2015 Votel ..... G02C 11/08  
351/62  
(73) Assignee: **FCA US LLC**, Auburn Hills, MI (US) 2016/0362917 A1\* 12/2016 Cumbo ..... E05C 19/022  
2017/0101810 A1\* 4/2017 Lee ..... E05B 79/14  
(\*\*) Term: **15 Years** \* cited by examiner  
(21) Appl. No.: **29/630,230** *Primary Examiner* — Katrina A Betton  
(22) Filed: **Dec. 20, 2017** (74) *Attorney, Agent, or Firm* — Ralph E. Smith

**Related U.S. Application Data**

(63) Continuation-in-part of application No. 29/616,446, filed on Sep. 6, 2017.  
(51) **LOC (11) Cl.** ..... **12-08**  
(52) **U.S. Cl.**  
USPC ..... **D12/190**  
(58) **Field of Classification Search**  
USPC .... D12/190, 192, 400, 90, 91, 92, 196, 197,  
D12/198, 199, 200, 171, 172, 163, 110,  
D12/114  
CPC ..... B60R 13/043; B60R 2013/0293; B60R  
13/02; B60R 13/04  
See application file for complete search history.

**References Cited**

**U.S. PATENT DOCUMENTS**

D492,727 S \* 7/2004 Nuttall ..... D19/65  
D629,679 S \* 12/2010 Riddell ..... D8/394

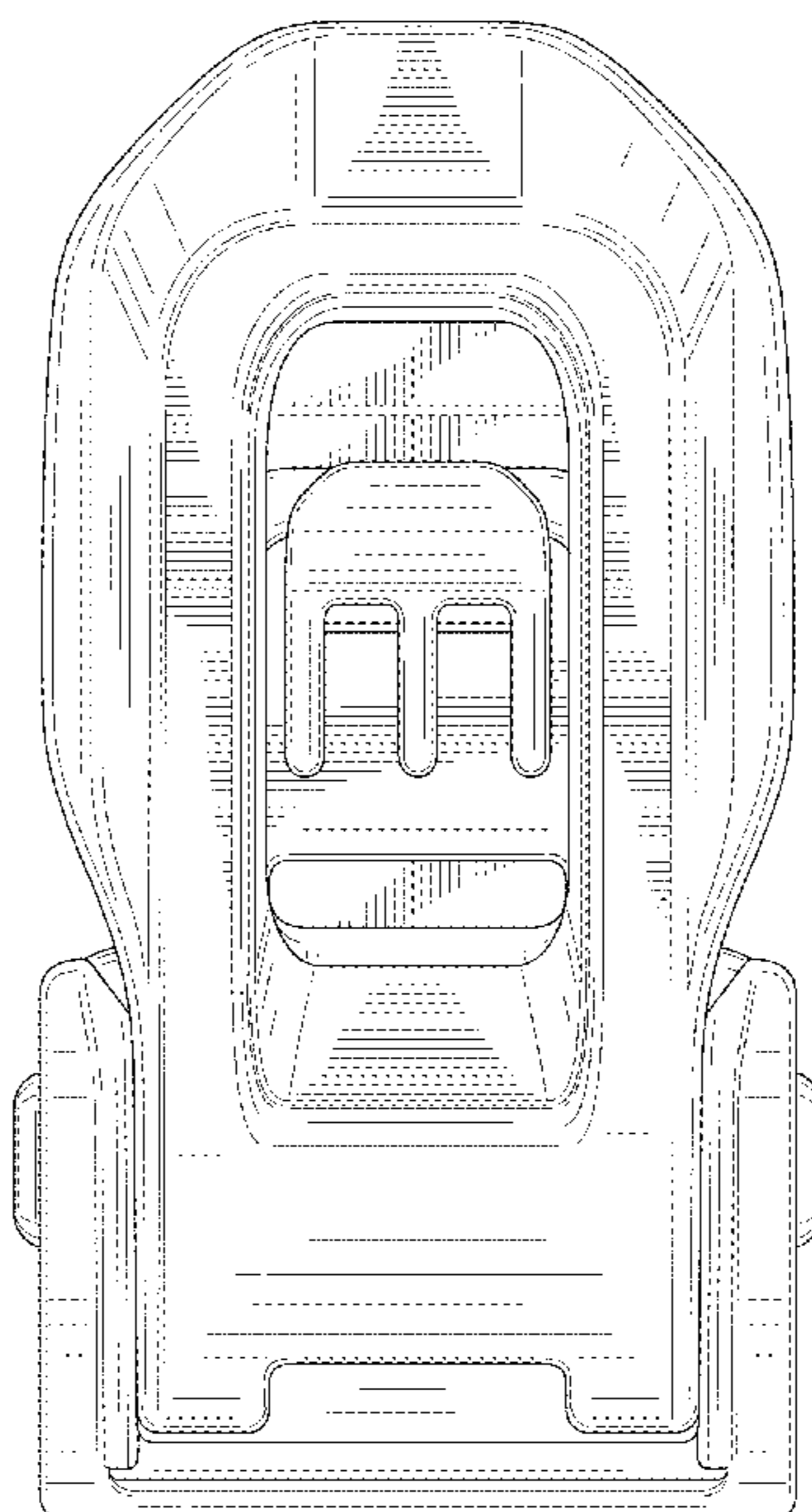
(57) **CLAIM**

The ornamental design for a hood latch, as shown and described.

**DESCRIPTION**

FIG. 1 is a front perspective view of a hood latch showing our new design;  
FIG. 2 is a top view thereof;  
FIG. 3 is a bottom view thereof;  
FIG. 4 is a side view thereof;  
FIG. 5 is an opposite side view thereof;  
FIG. 6 is a front view thereof; and,  
FIG. 7 is a rear view.  
It will be understood that the broken lines shown in the drawings illustrate portions of the hood latch that form no part of claimed design.

**1 Claim, 7 Drawing Sheets**



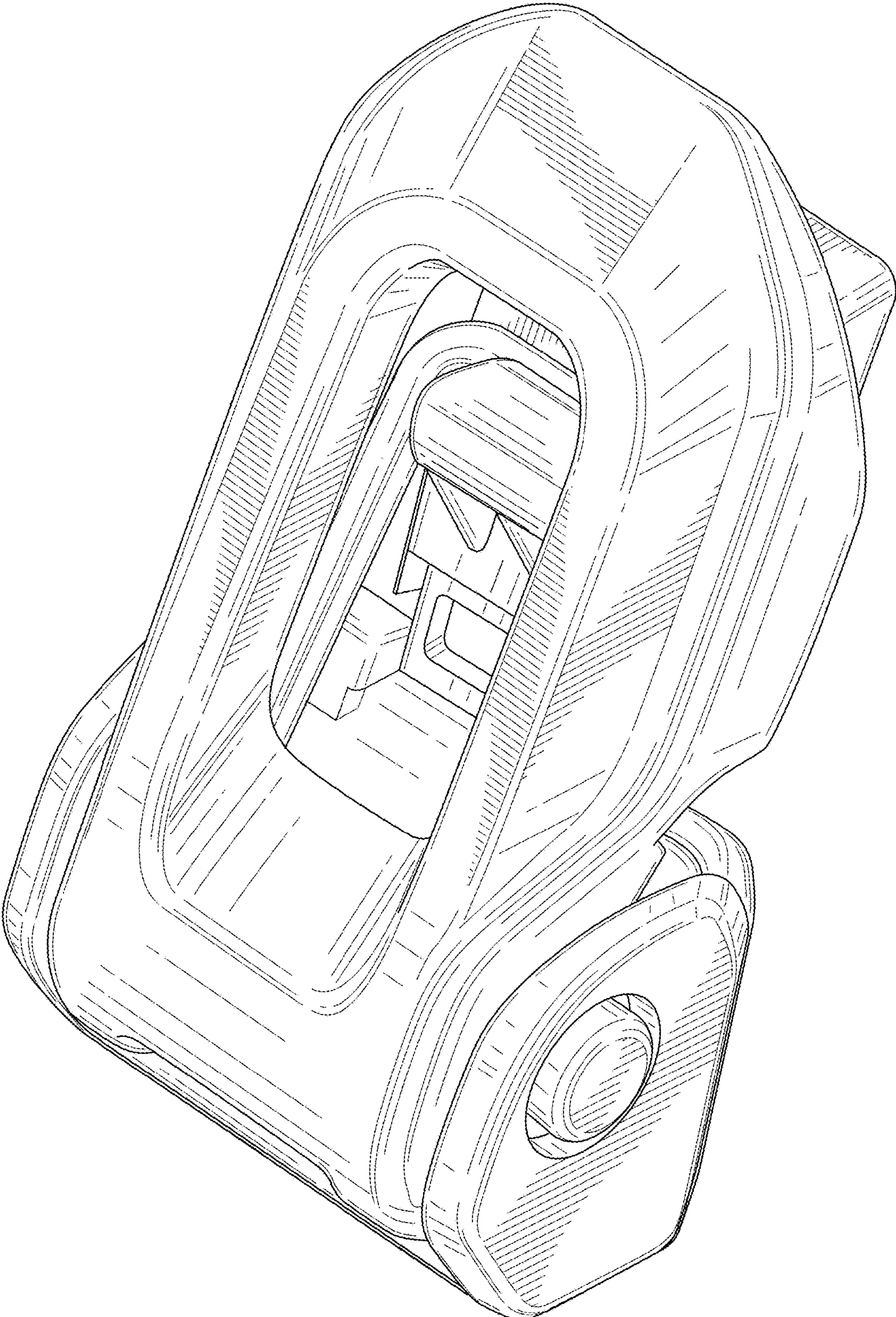
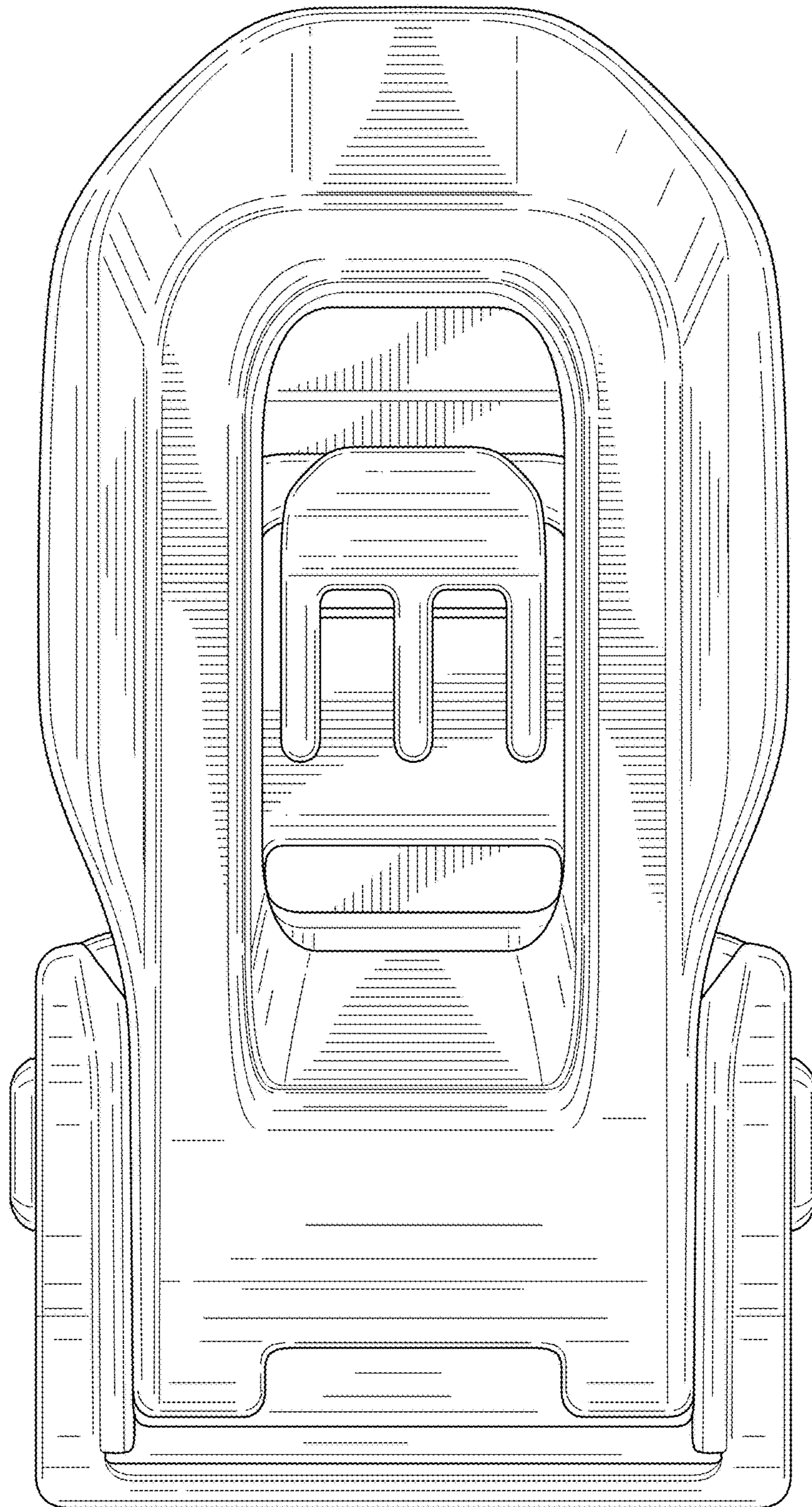
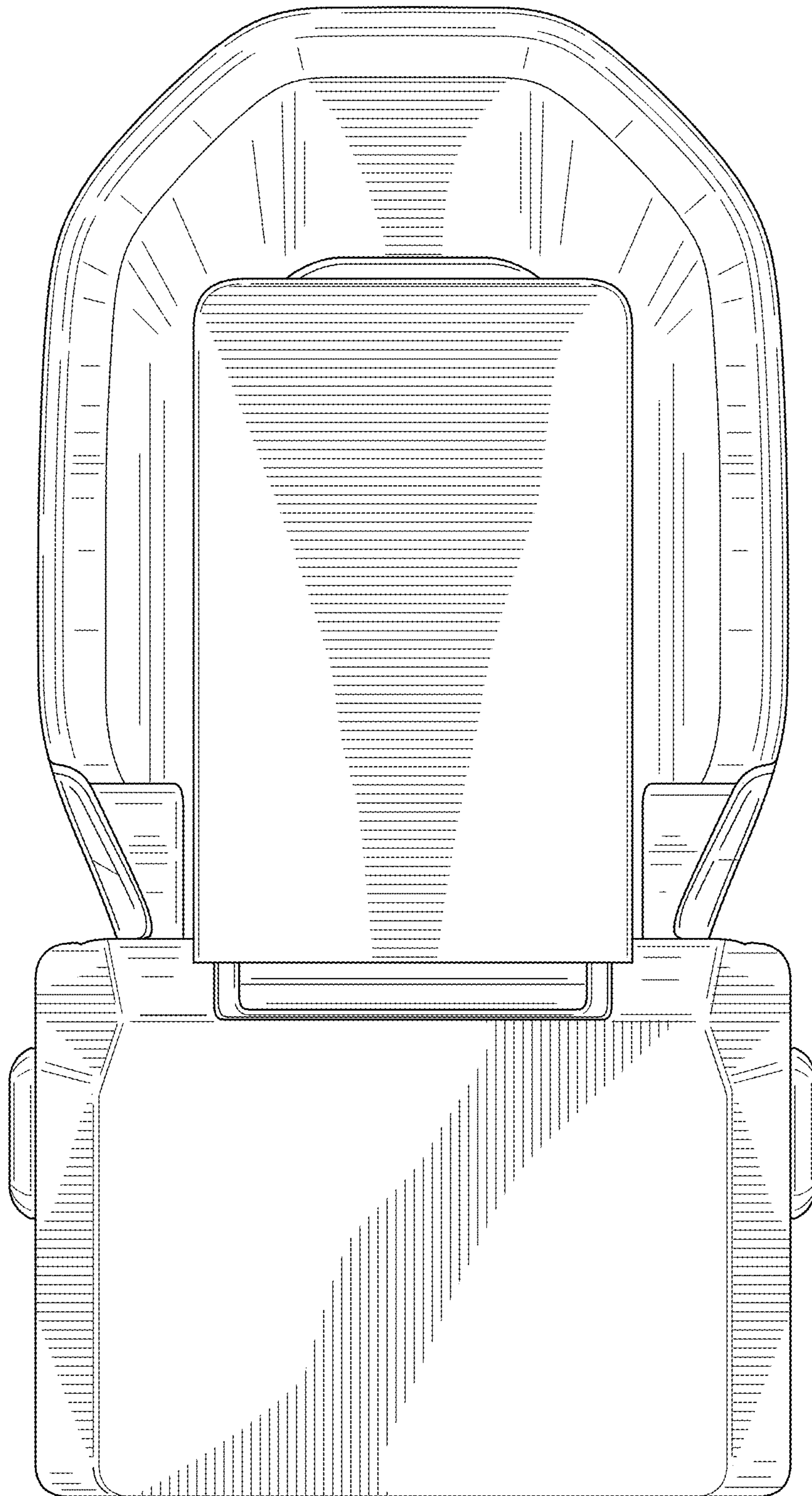


FIG. 1



**FIG. 2**



**FIG. 3**

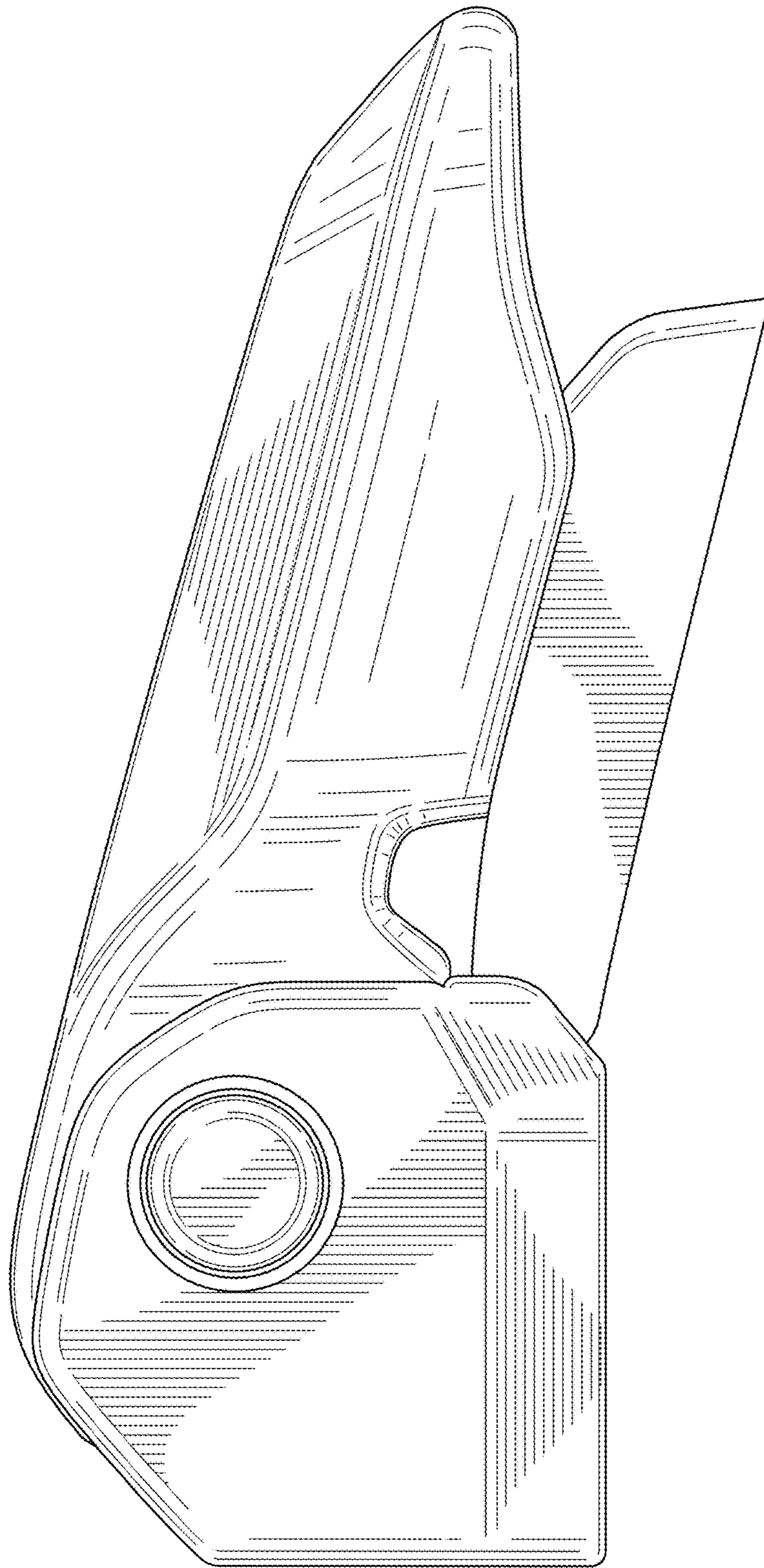
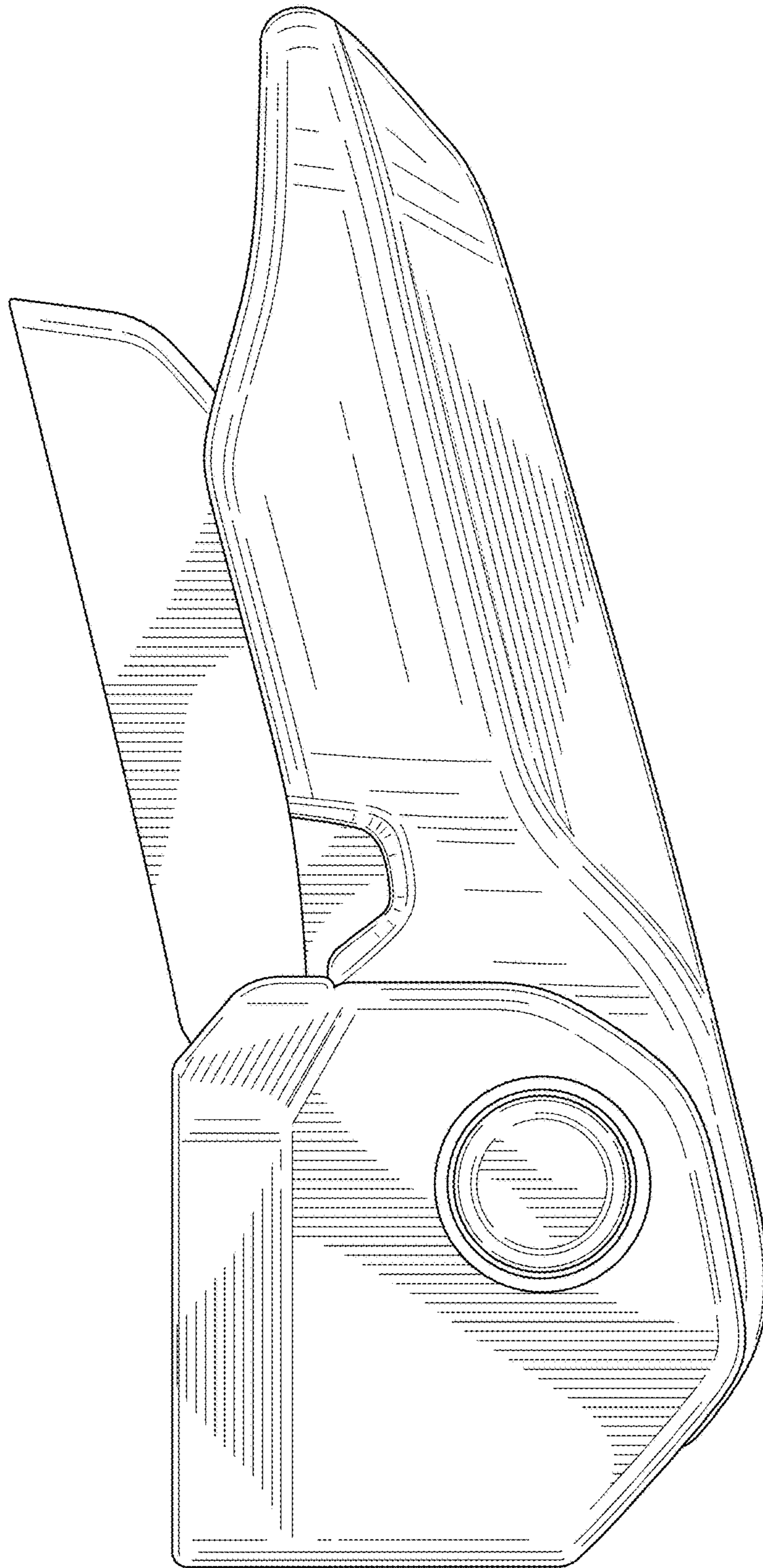
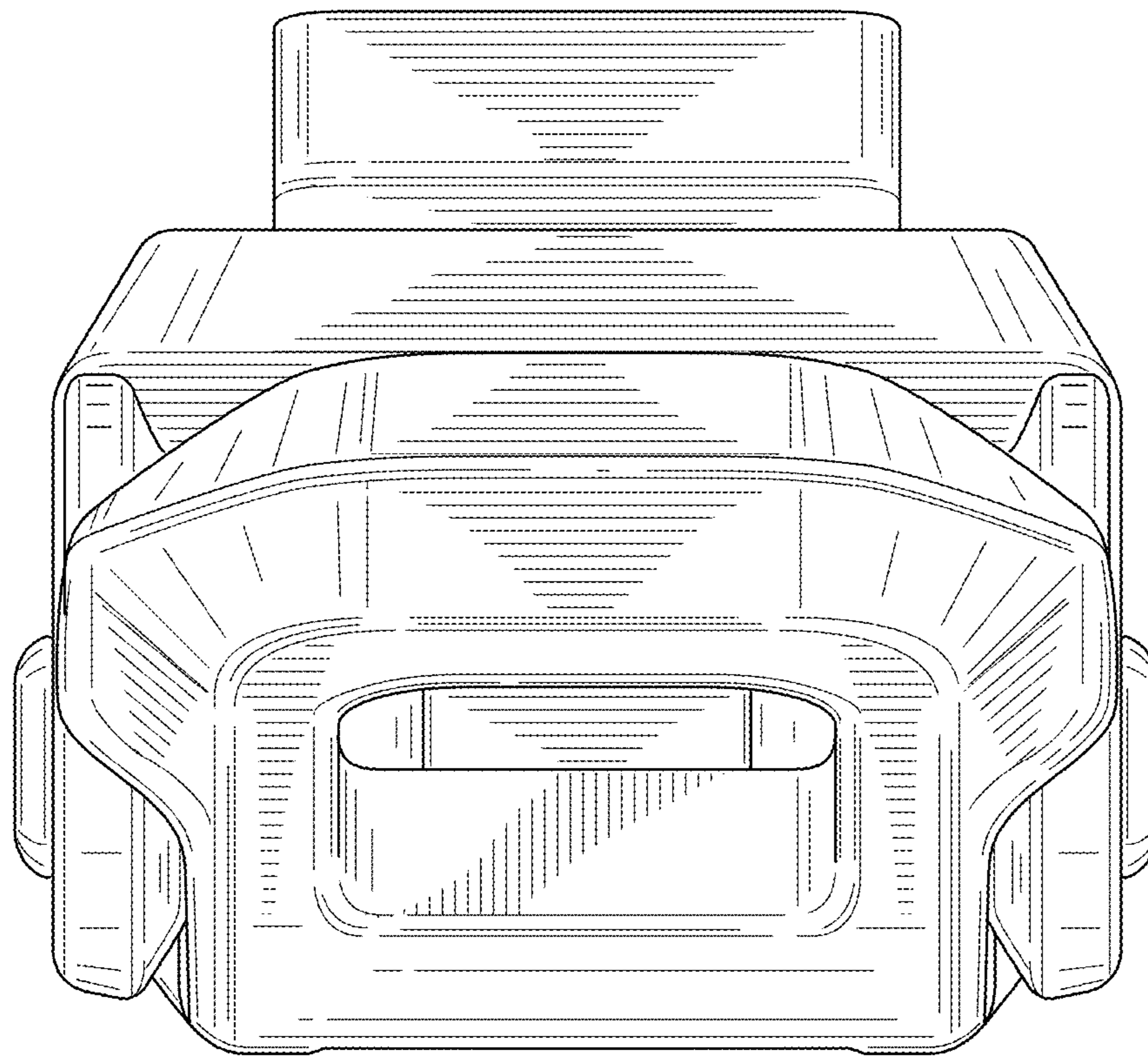


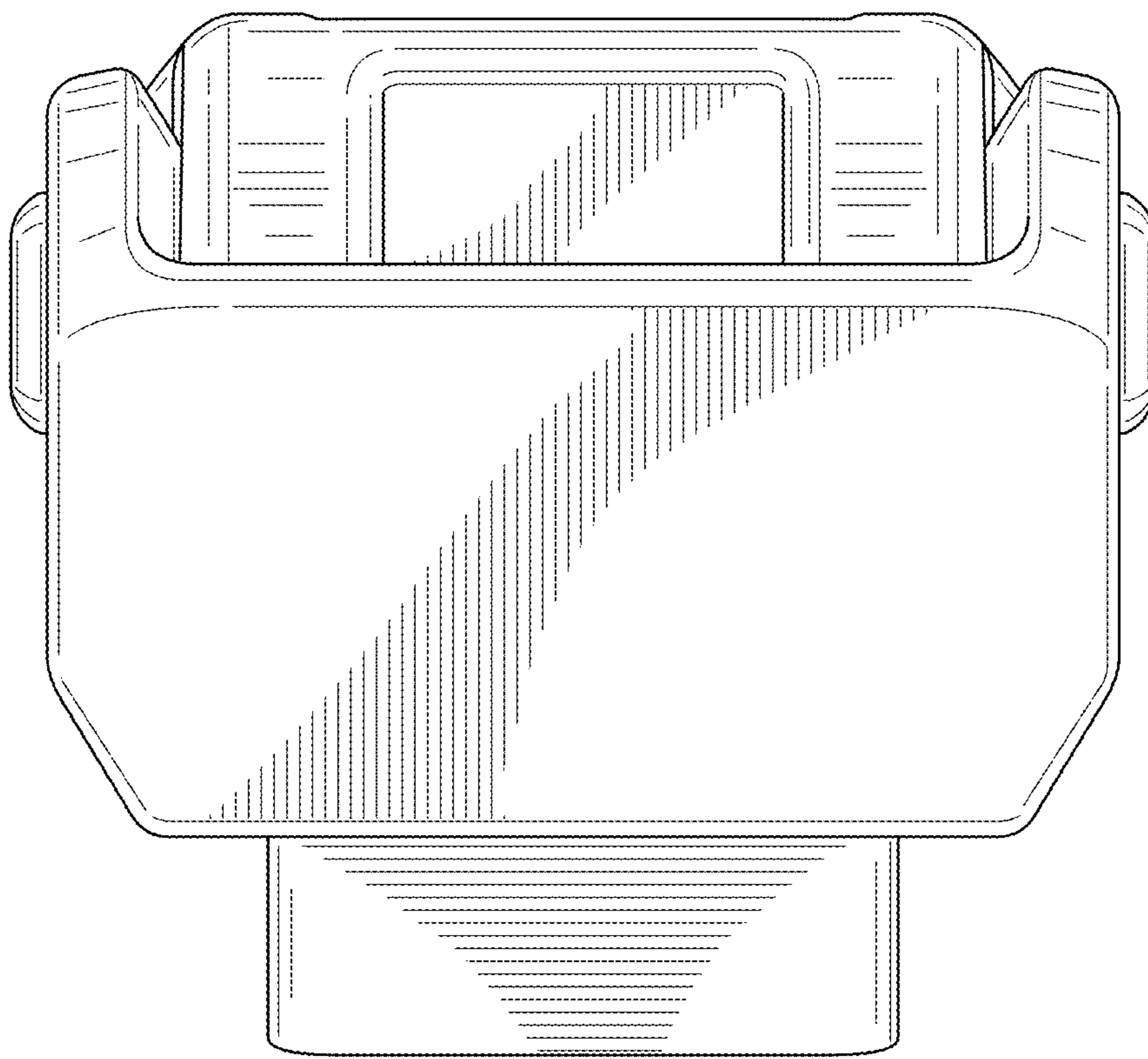
FIG. 4



**FIG. 5**



**FIG. 6**



**FIG. 7**