



US00D835551S

(12) **United States Design Patent** (10) **Patent No.:** **US D835,551 S**
DiCanzio (45) **Date of Patent:** **** Dec. 11, 2018**

- (54) **HOOD VENT SCOOP**
- (71) Applicant: **Turn 5, Inc.**, Malvern, PA (US)
- (72) Inventor: **Michael DiCanzio**, West Chester, PA (US)
- (73) Assignee: **Turn 5, Inc.**, Paoli, PA (US)
- (**) Term: **15 Years**
- (21) Appl. No.: **29/602,002**
- (22) Filed: **Apr. 27, 2017**
- (51) **LOC (11) Cl.** **12-16**
- (52) **U.S. Cl.**
 USPC **D12/173**
- (58) **Field of Classification Search**
 USPC D12/173, 181, 400, 196, 167, 406, 412,
 D12/414, 190, 184
 CPC B62D 25/10; B62D 25/12; B62D 25/06;
 B60Q 1/00
 See application file for complete search history.

(56) **References Cited**

U.S. PATENT DOCUMENTS

- D353,124 S * 12/1994 Benningfield D12/173
 D391,909 S * 3/1998 Wittine D12/173
 D457,471 S * 5/2002 Simcox D12/173
 D464,006 S * 10/2002 Hoyle, Jr. D12/173
 D491,503 S * 6/2004 Zyskowski D12/173
 D508,665 S * 8/2005 Chan D12/173

- D510,305 S * 10/2005 Chiang D12/173
 D512,004 S * 11/2005 Hutchins D12/173
 D528,482 S * 9/2006 Hamburger D12/181
 D548,152 S * 8/2007 Chiang D12/173
 D666,285 S * 8/2012 Schrad D23/387
 D726,080 S * 4/2015 Mays D12/173
 2009/0173305 A1 * 7/2009 Alexander F02B 27/001
 123/184.53

* cited by examiner

Primary Examiner — Karen S Acker
Assistant Examiner — Jerry Shiuan-Hua Hsu
 (74) *Attorney, Agent, or Firm* — Schott P.C.

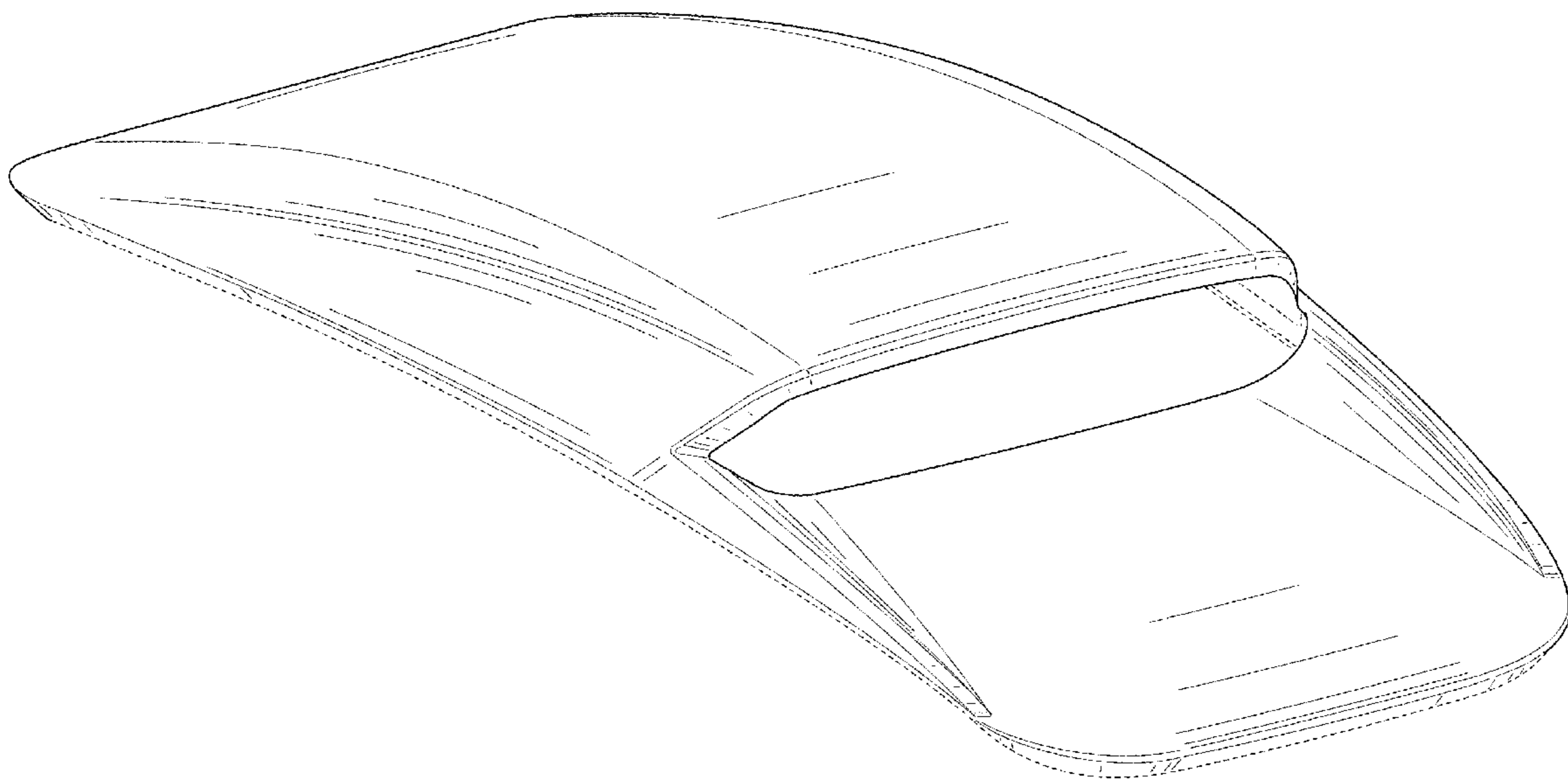
(57) **CLAIM**

The ornamental design for the hood vent scoop, as shown and described.

DESCRIPTION

FIG. 1 is a perspective view of the hood vent scoop of the present invention.
 FIG. 2 is a mirror view thereof;
 FIG. 3 is a front elevation view thereof;
 FIG. 4 is a rear elevation view thereof;
 FIG. 5 is a right side view thereof;
 FIG. 6 is a left side view thereof;
 FIG. 7 is a top view thereof;
 FIG. 8 is a bottom view thereof; and,
 FIG. 9 is a perspective view in a state of use.
 The broken lines illustrate the design's environment and form no part of the claimed design.

1 Claim, 7 Drawing Sheets



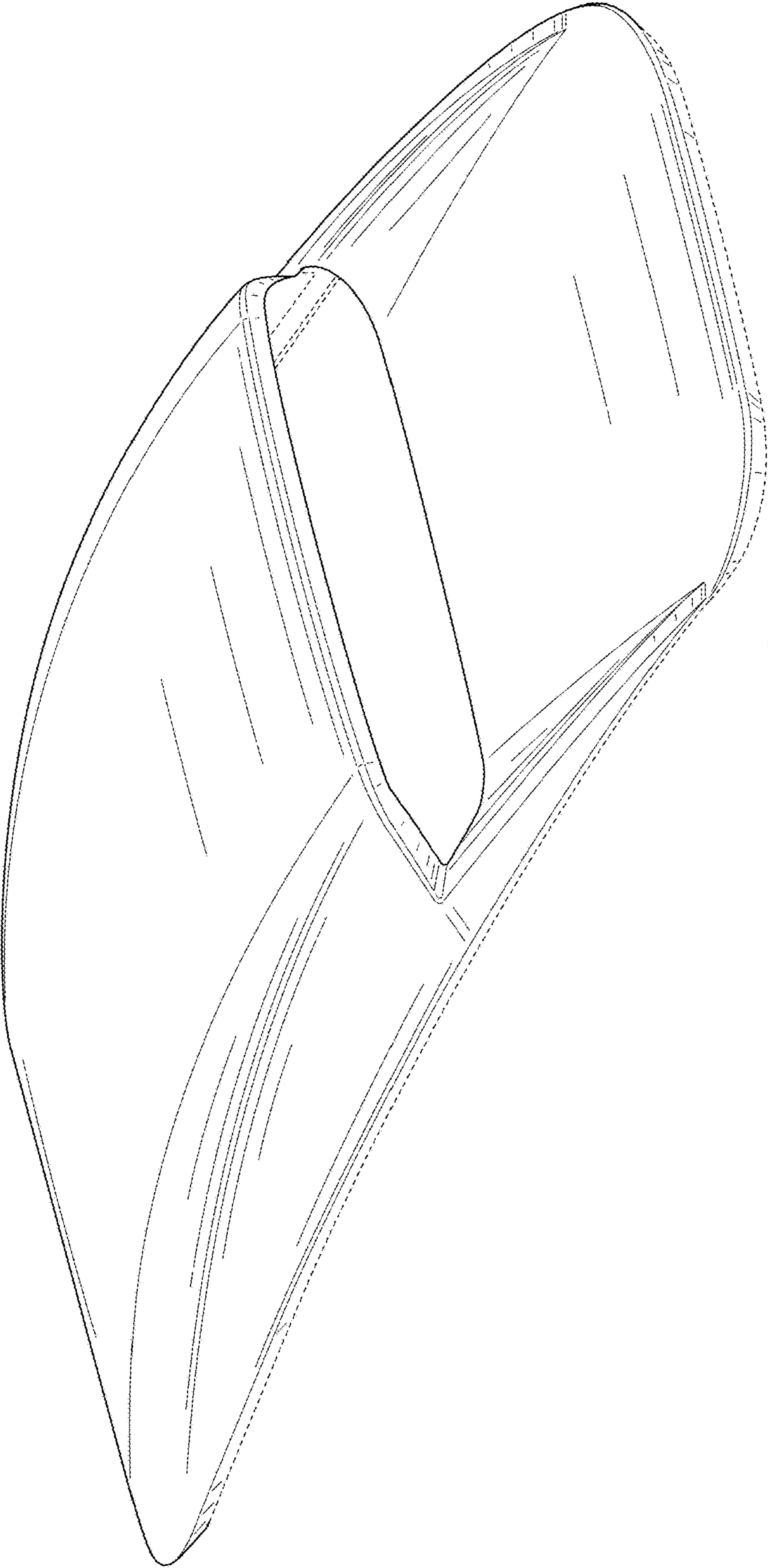


FIG. 1

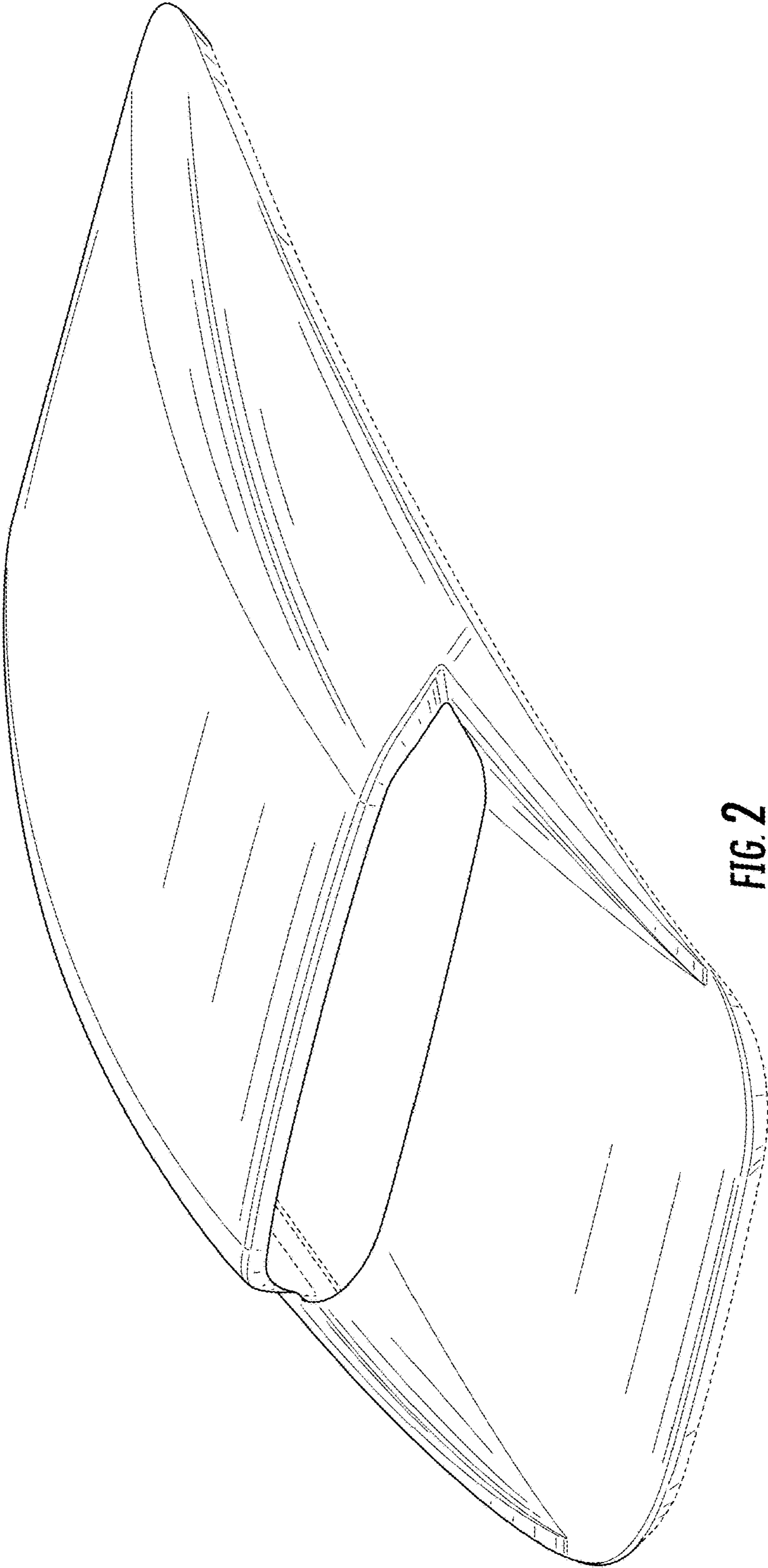


FIG. 2

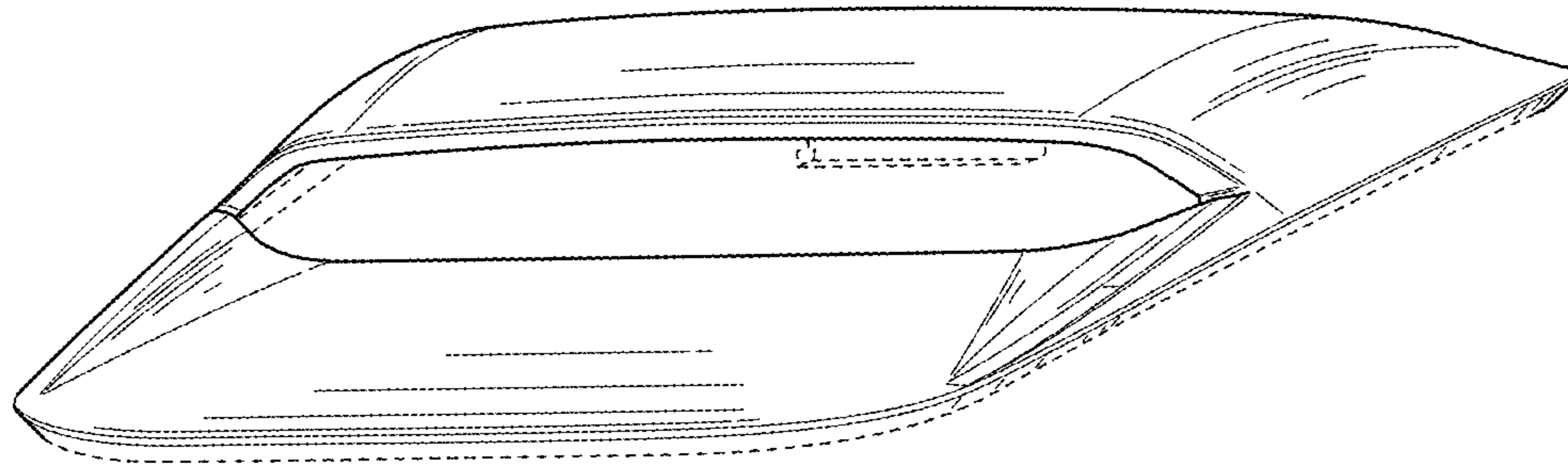


FIG. 3

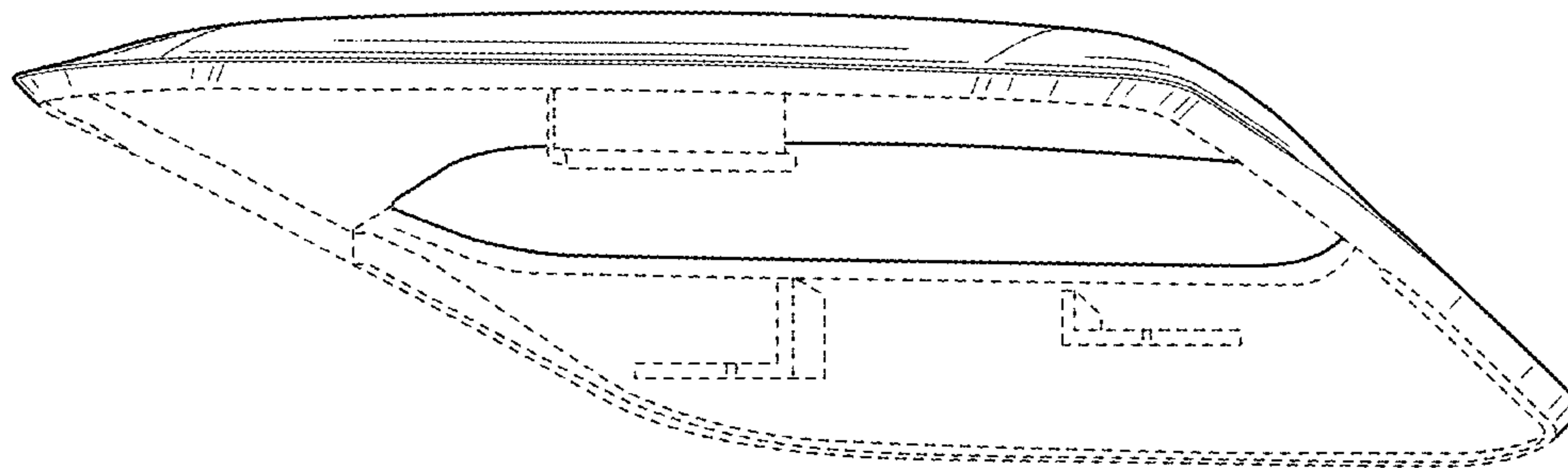


FIG. 4

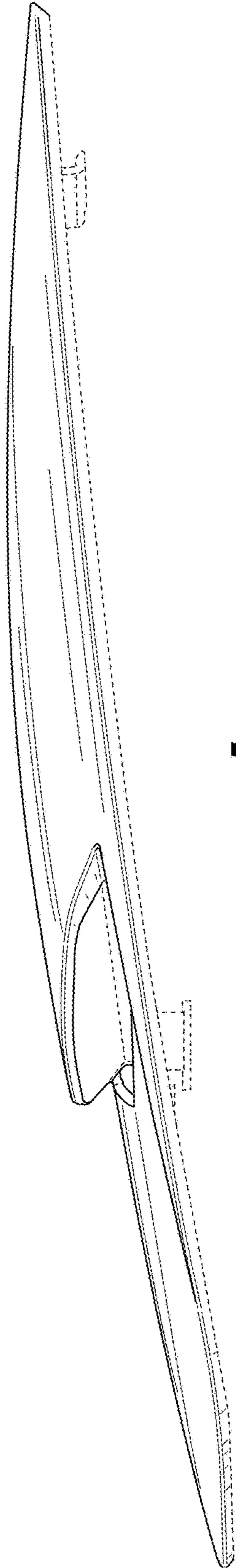


FIG. 5

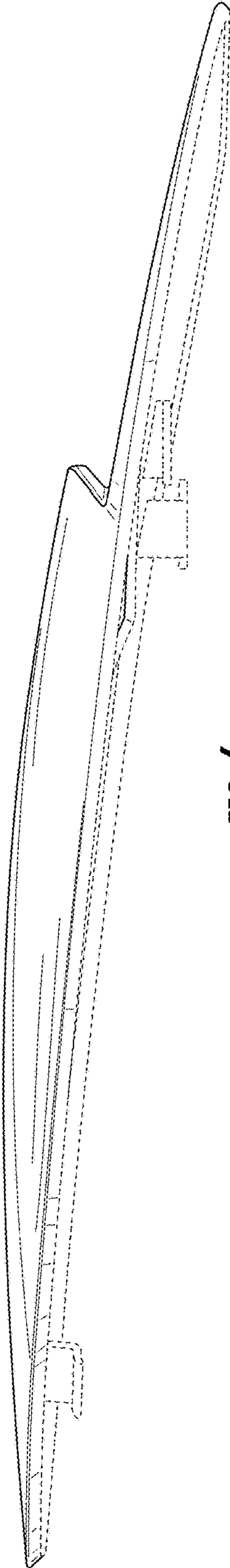


FIG. 6

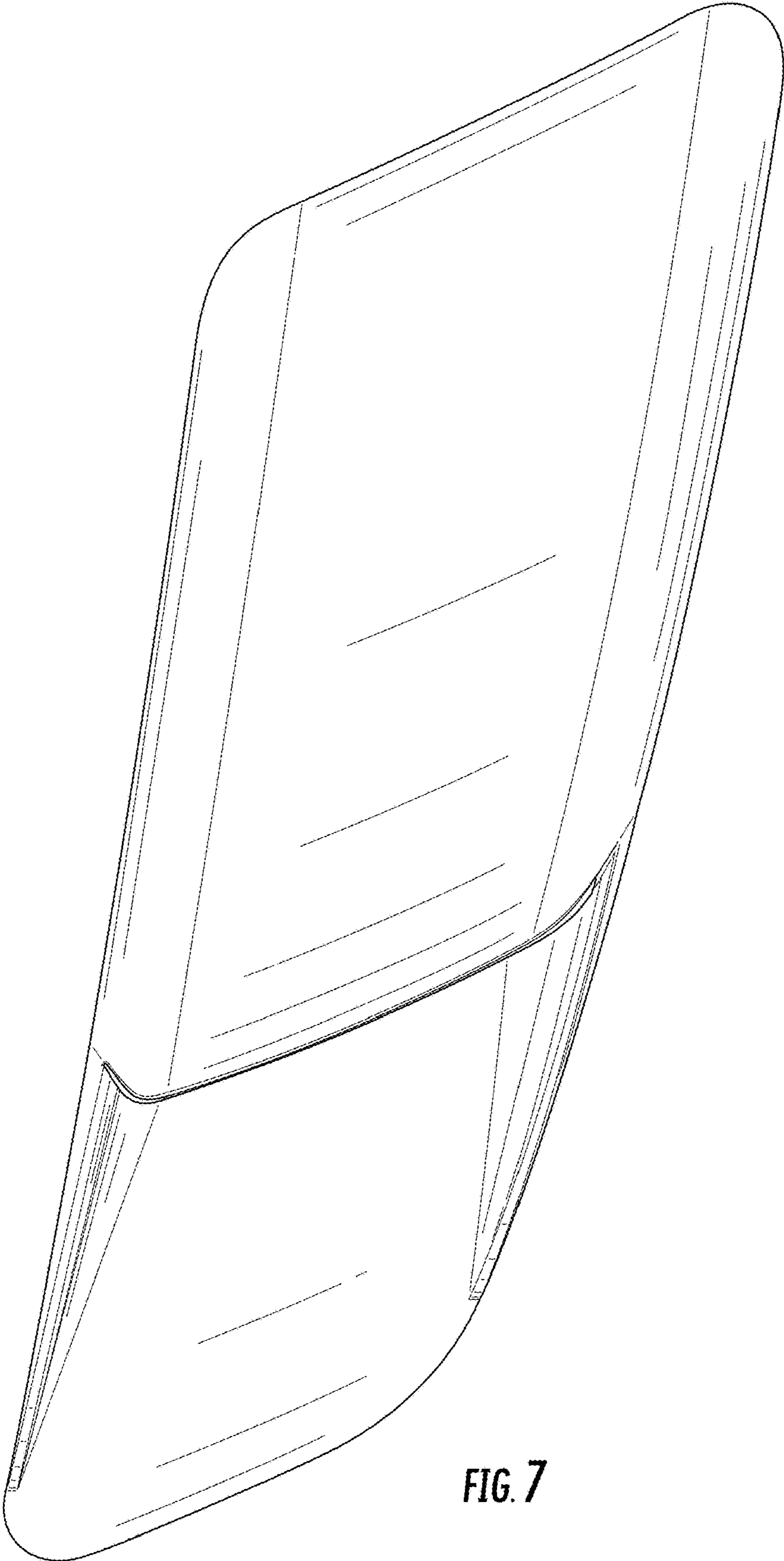


FIG. 7

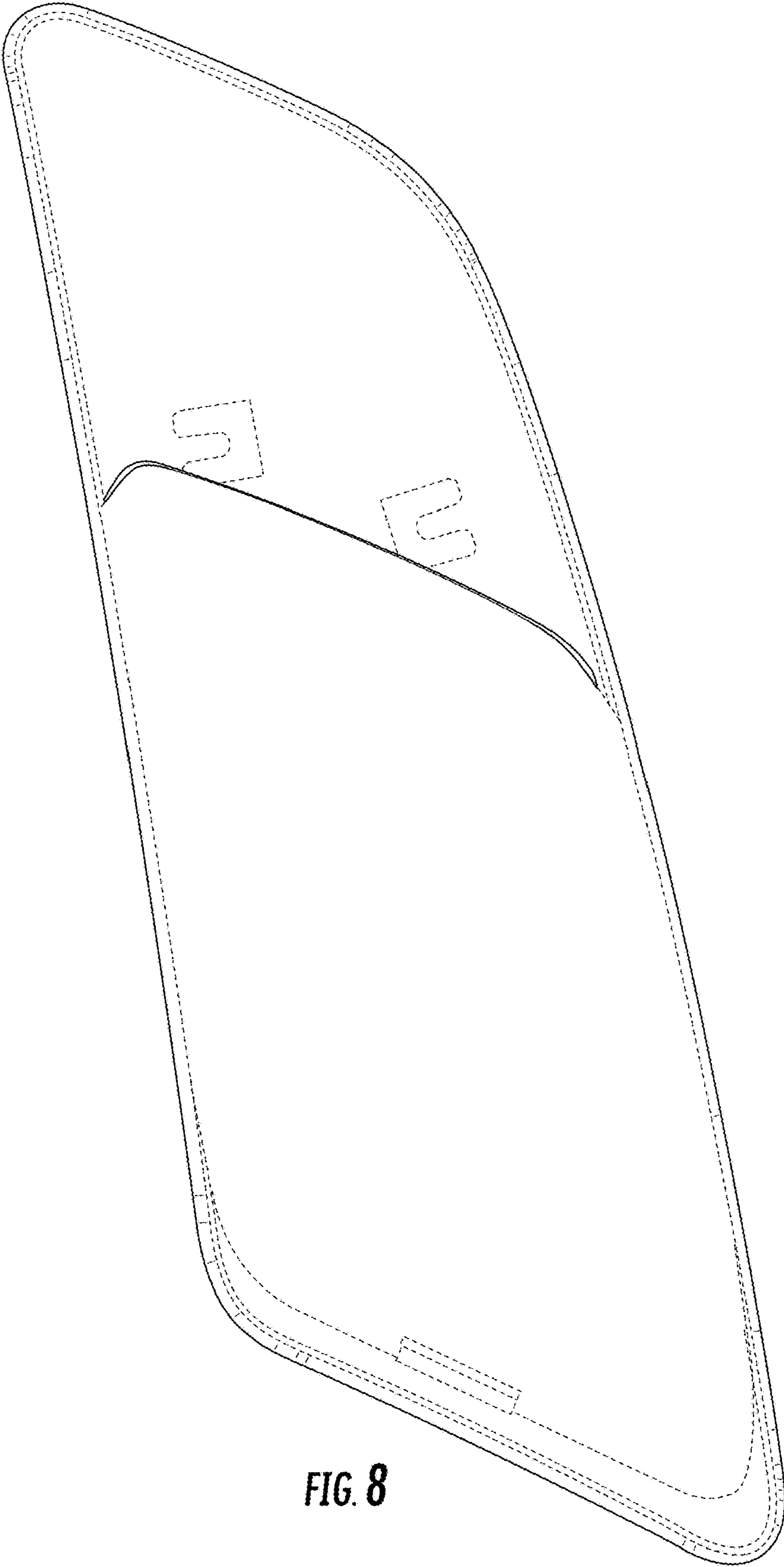


FIG. 8

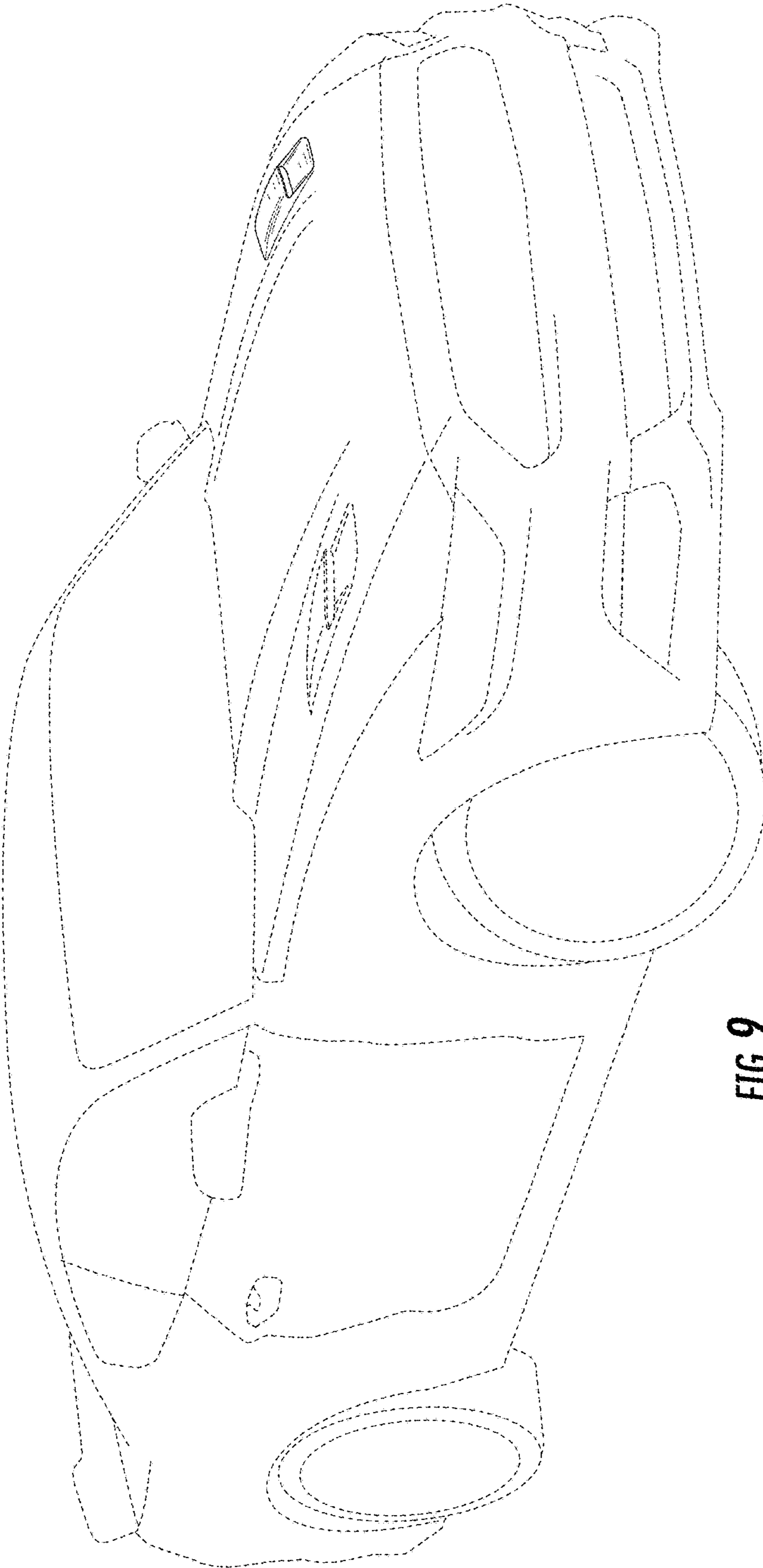


FIG. 9