



US00D835550S

(12) **United States Design Patent**
Mohapatra et al.

(10) **Patent No.:** **US D835,550 S**
(45) **Date of Patent:** **** Dec. 11, 2018**

- (54) **VEHICLE RAIL EXTENSION**
- (71) Applicant: **SABIC Global Technologies B.V.**,
Bergen op Zoom (NL)
- (72) Inventors: **Subhransu Sekhar Mohapatra**,
Bangalore (IN); **Arunachala**
Parameshwara, Bangalore (IN);
Venkatesha Narayanaswamy,
Bengaluru (IN)
- (73) Assignee: **SABIC GLOBAL TECHNOLOGIES**
B.V., Bergen Op Zoom (NL)
- (**) Term: **15 Years**
- (21) Appl. No.: **29/585,840**
- (22) Filed: **Nov. 29, 2016**

Related U.S. Application Data

- (62) Division of application No. 29/497,626, filed on Jul. 25, 2014, now Pat. No. Des. 776,022.
- (51) **LOC (11) Cl.** **12-16**
- (52) **U.S. Cl.**
USPC **D12/172**
- (58) **Field of Classification Search**
USPC D12/86, 90-92, 163, 169, 171, 172, 196,
D12/216; D13/152
CPC B60P 7/0815; B60R 19/18; B60R 19/30
See application file for complete search history.

(56) **References Cited**

U.S. PATENT DOCUMENTS

- 7,568,746 B2 8/2009 Jaarda et al.
- 7,938,462 B2 * 5/2011 Nilsson B60R 19/18
293/102
- D670,217 S * 11/2012 Bobba B60R 19/18
D12/169
- D670,218 S * 11/2012 Bobba B60R 19/18
D12/169

- 8,348,313 B2 1/2013 Chickmenahalli et al.
 - 8,505,990 B2 * 8/2013 Czopek B60R 19/18
293/102
 - D696,169 S 12/2013 Mana et al.
 - 9,033,380 B2 * 5/2015 Mana B60R 19/18
293/120
 - D731,382 S * 6/2015 Mana D12/196
 - 9,050,939 B2 * 6/2015 Marur B60R 19/18
- (Continued)

FOREIGN PATENT DOCUMENTS

- GB 2386937 A 10/2003
 - WO 2012040826 A1 4/2012
- (Continued)

OTHER PUBLICATIONS

U.S. Appl. No. 29/497,626; Filing Date: Jul. 25, 2014; "Vehicle Rail Extension".

Primary Examiner — Darlington Ly

(74) *Attorney, Agent, or Firm* — Cantor Colburn LLP

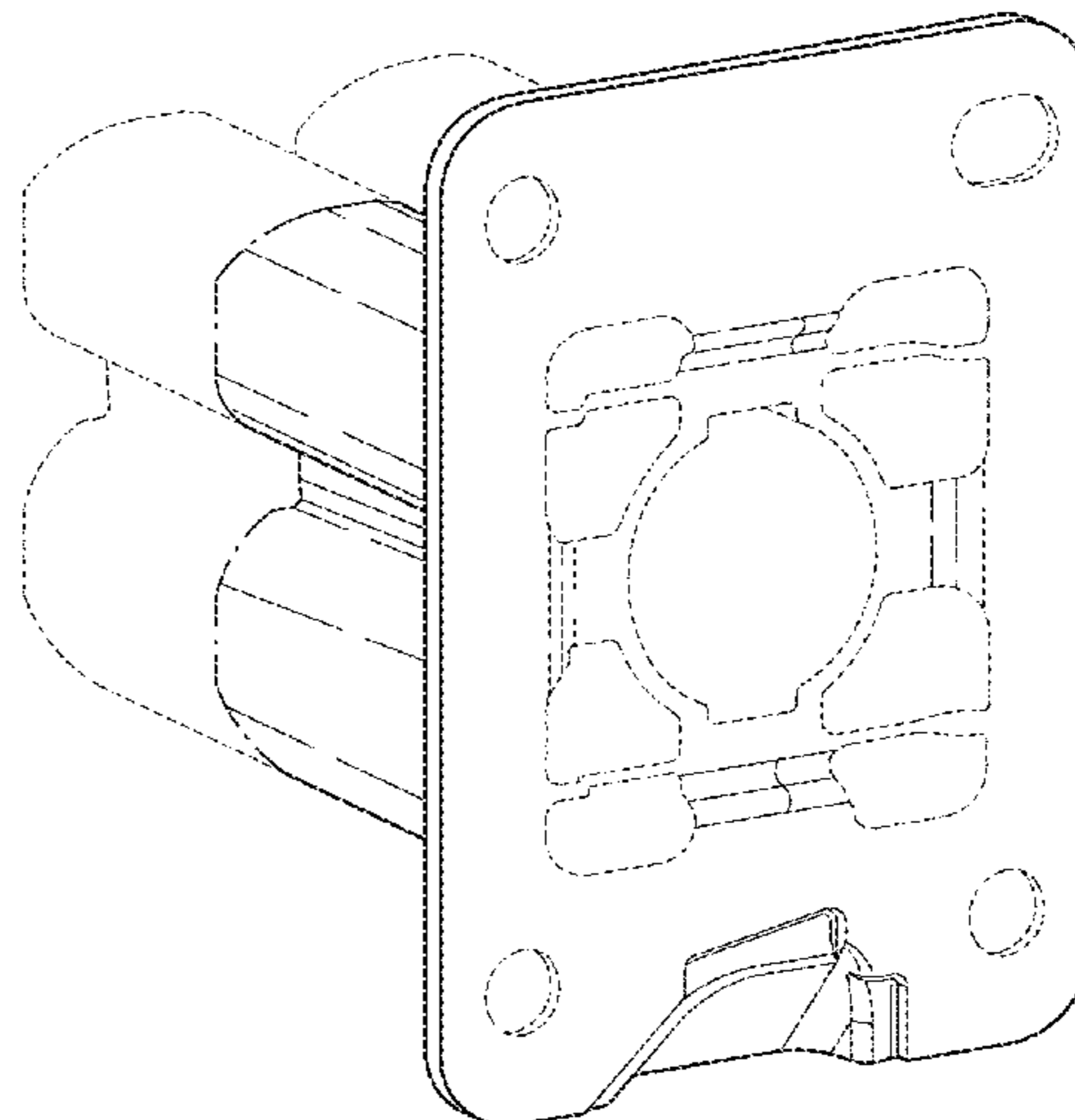
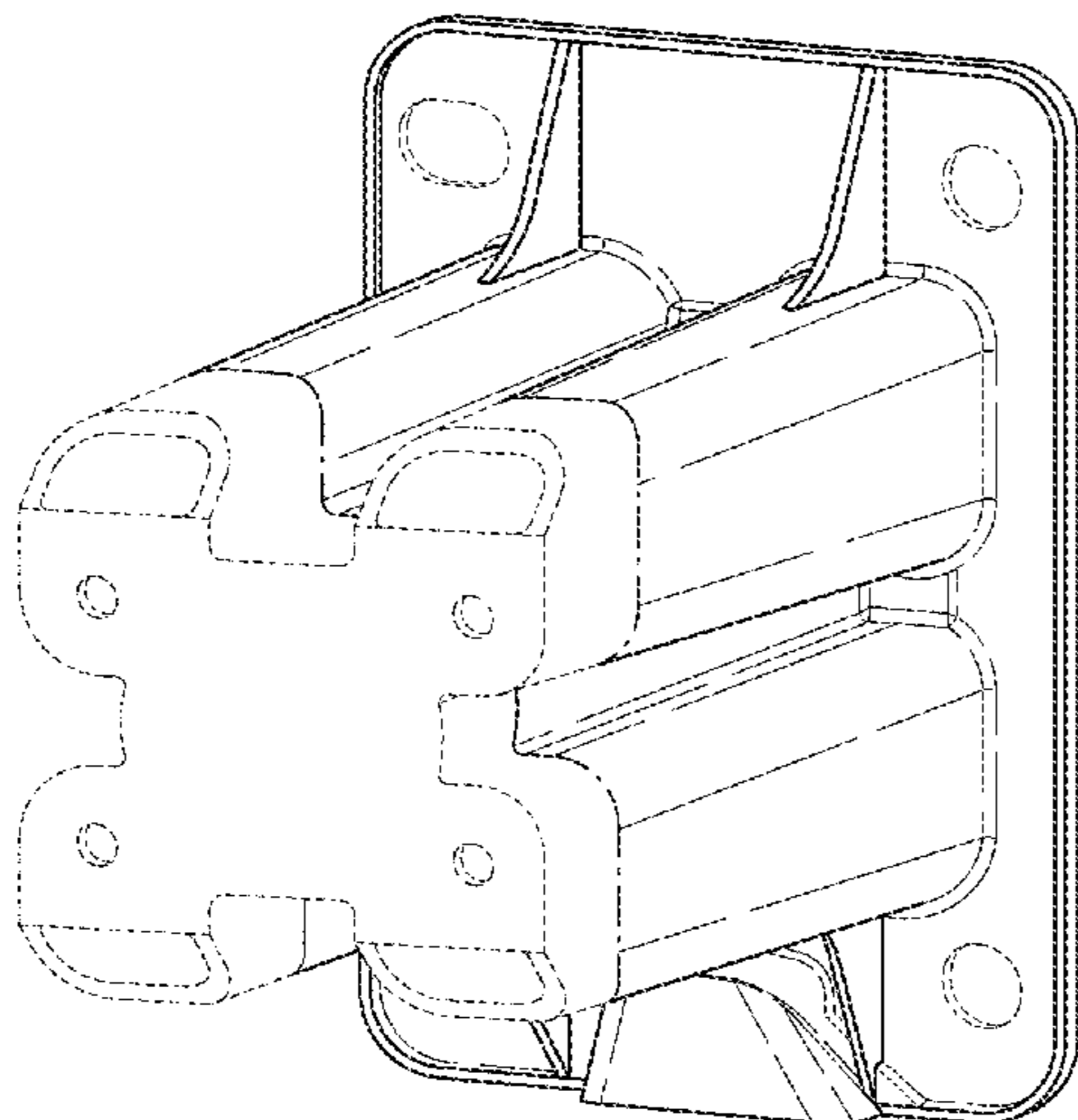
(57) **CLAIM**

The ornamental design for a vehicle rail extension, as shown and described.

DESCRIPTION

FIG. 1 is a front perspective view of a vehicle rail extension showing our new design;
 FIG. 2 is a rear perspective view thereof;
 FIG. 3 is a front elevation view thereof,
 FIG. 4 is a rear elevation view thereof;
 FIG. 5 is a right side elevation view thereof;
 FIG. 6 is a left side elevation view thereof;
 FIG. 7 is a top plan view thereof; and,
 FIG. 8 is a bottom plan view thereof.
 The broken lines shown in the figures illustrate portions of the vehicle rail extension that form no part of claimed design.

1 Claim, 4 Drawing Sheets



(56)

References Cited

U.S. PATENT DOCUMENTS

2006/0261611 A1 11/2006 Mohapatra et al.
2007/0069535 A1 3/2007 Mohapatra et al.
2007/0200376 A1* 8/2007 Jaarda B60R 19/18
293/120
2008/0197663 A1* 8/2008 Smith B60P 7/0815
296/100.01
2012/0104778 A1* 5/2012 Mana B60R 19/18
293/133
2012/0153643 A1* 6/2012 Mana B60R 19/12
293/120
2014/0203577 A1 7/2014 Nagwanshi et al.
2014/0203592 A1 7/2014 Nagwanshi et al.

FOREIGN PATENT DOCUMENTS

WO 2012042396 A1 4/2012
WO 2014113580 A1 7/2014

* cited by examiner

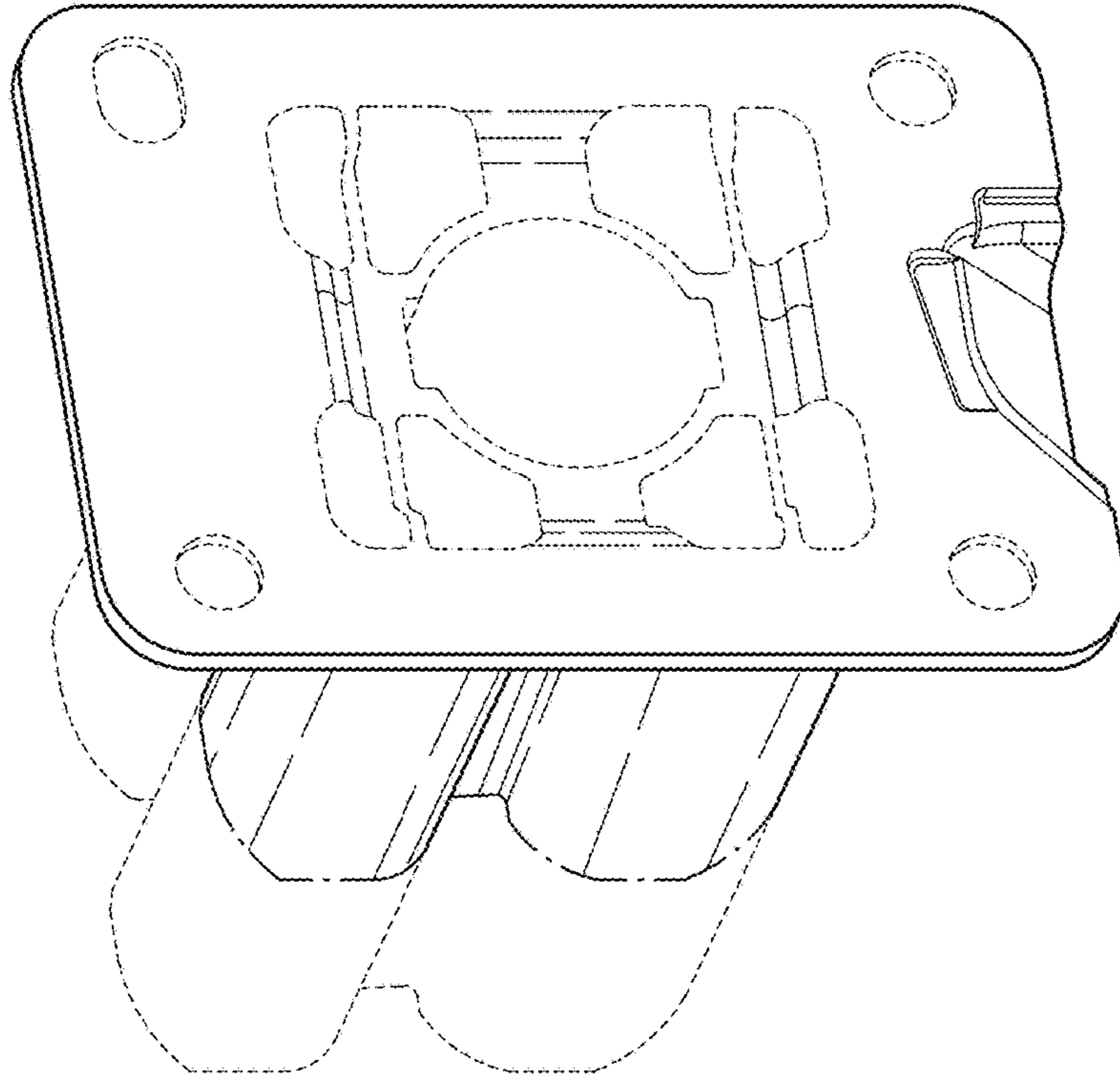


Fig. 1

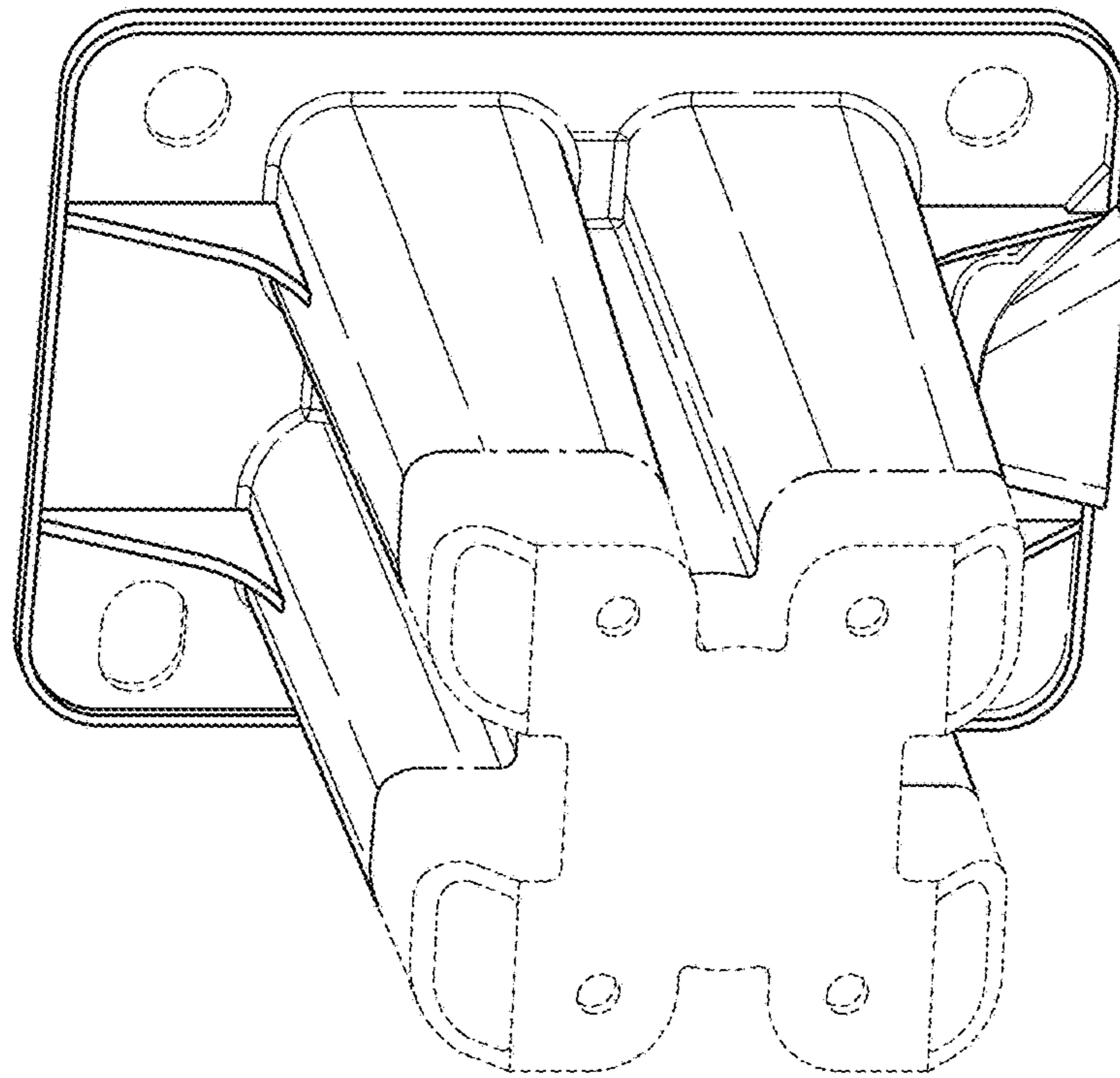


Fig. 2

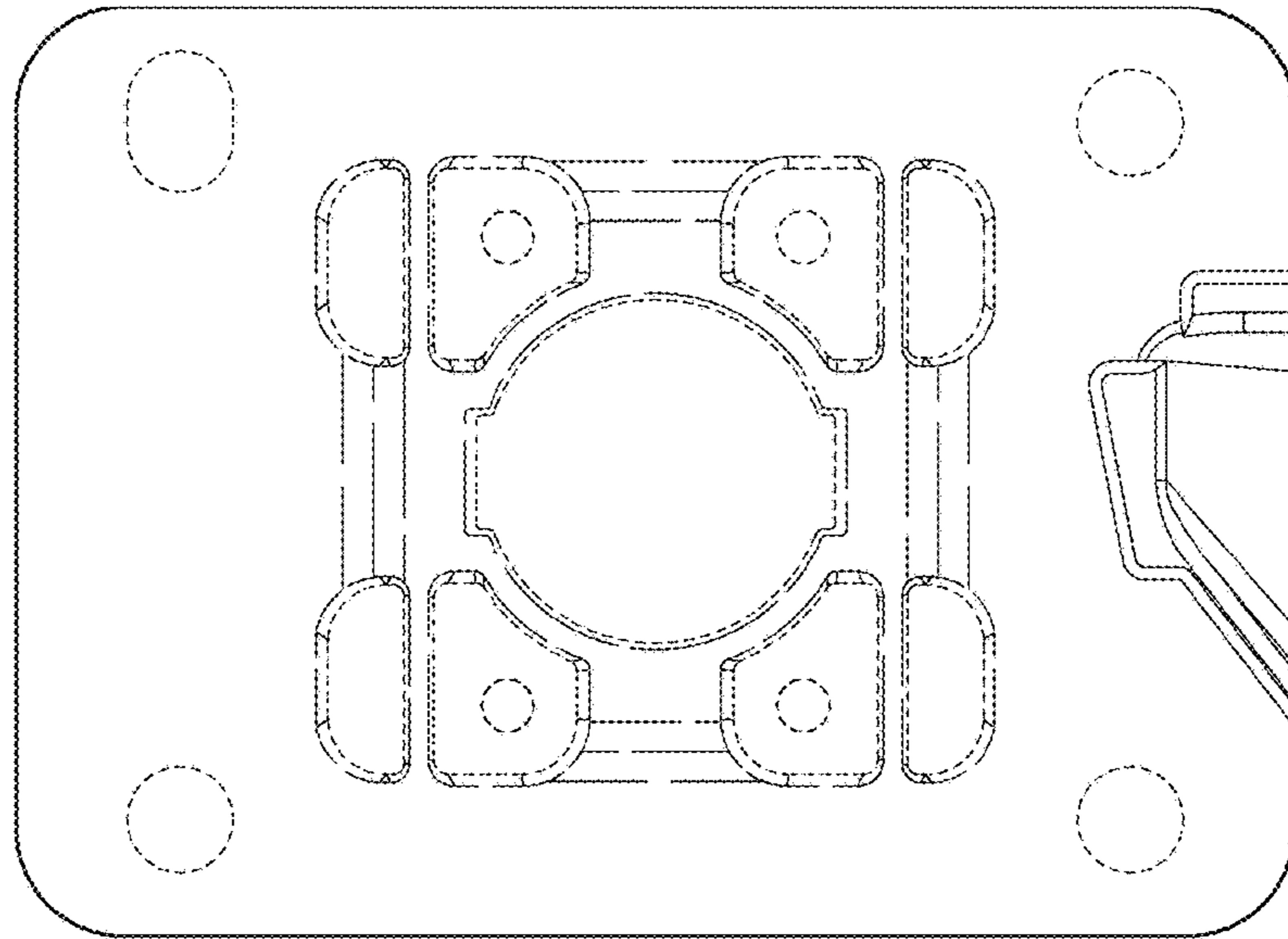


Fig. 4

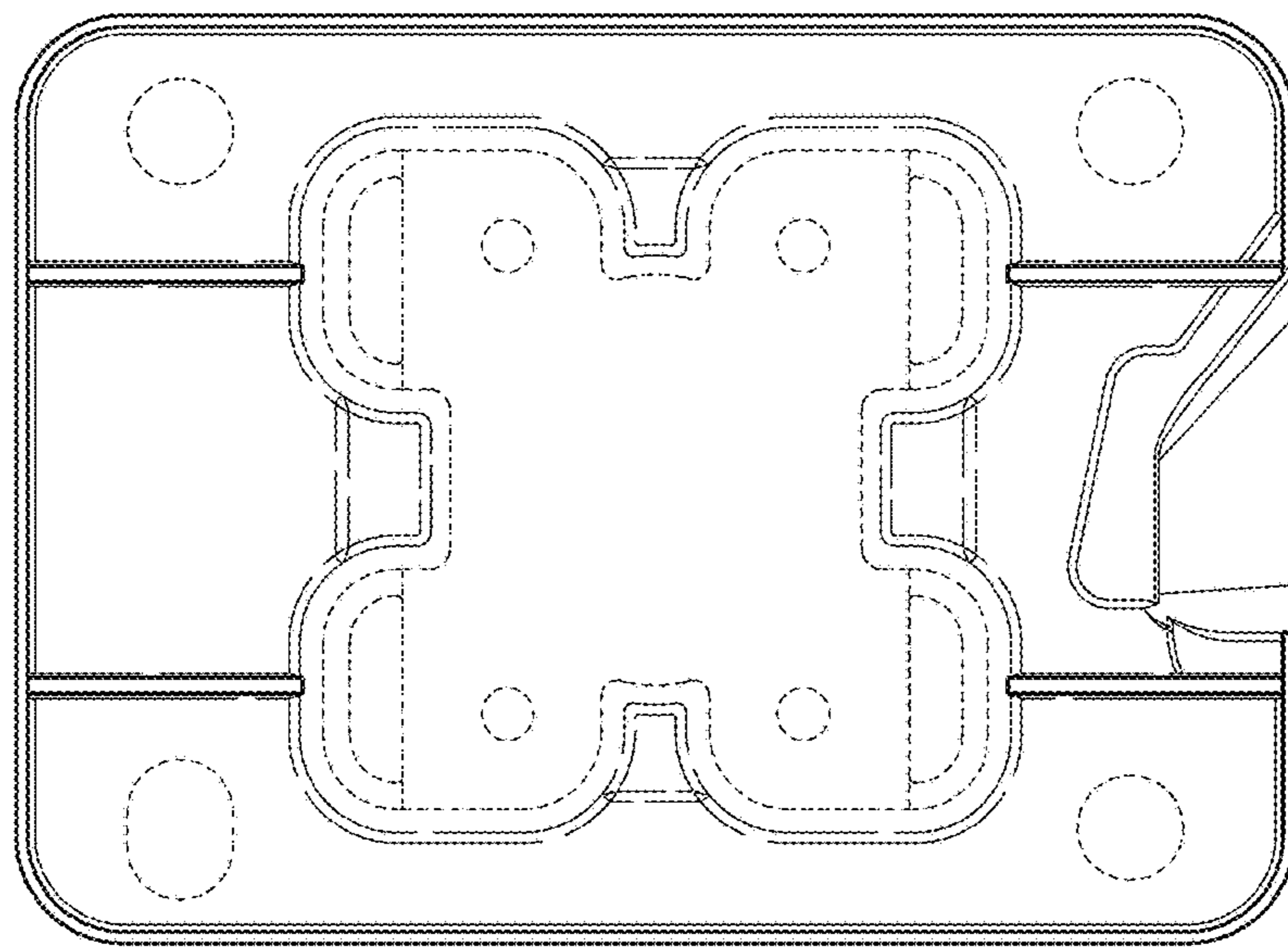


Fig. 3

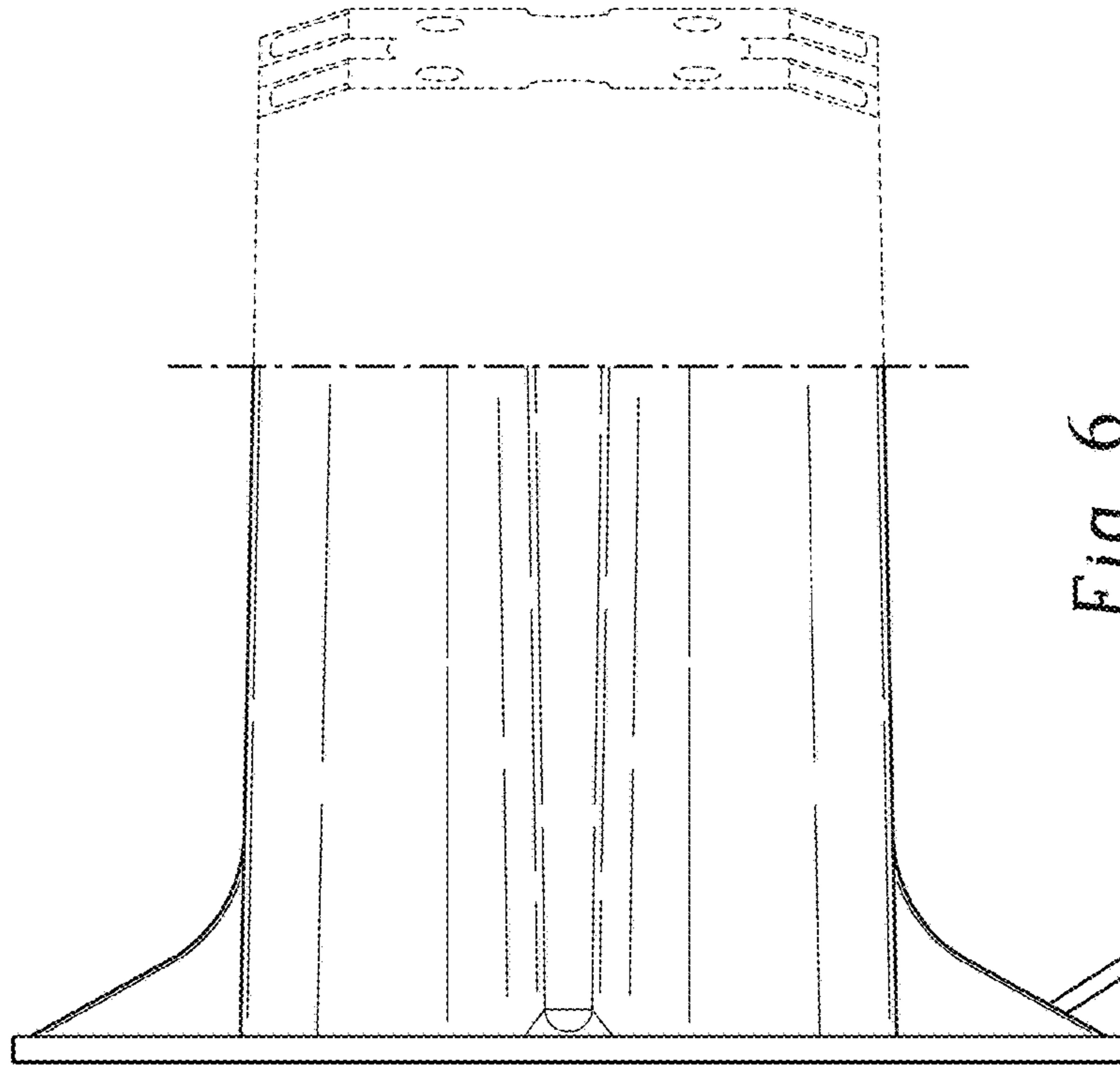


Fig. 5

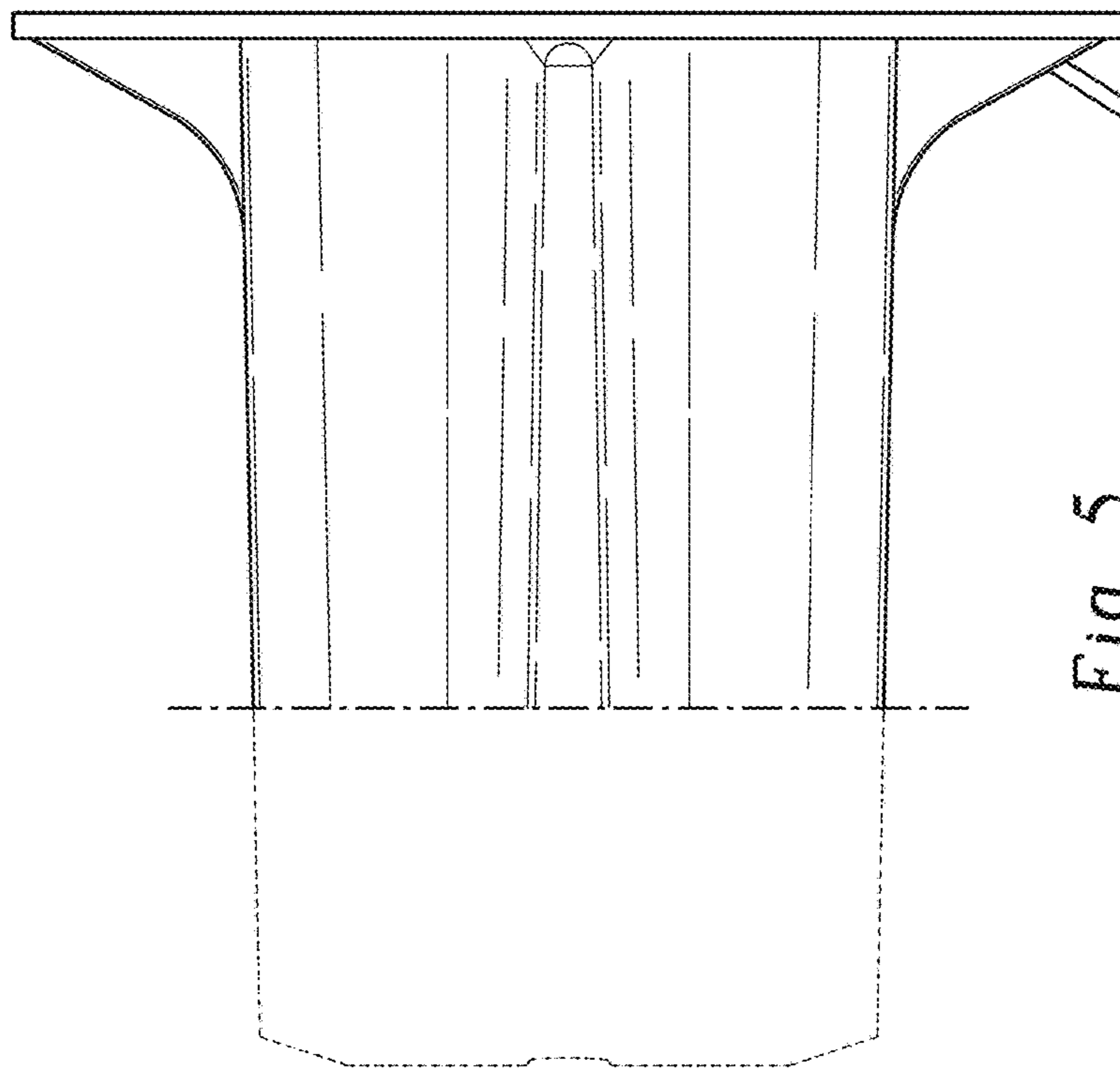


Fig. 6

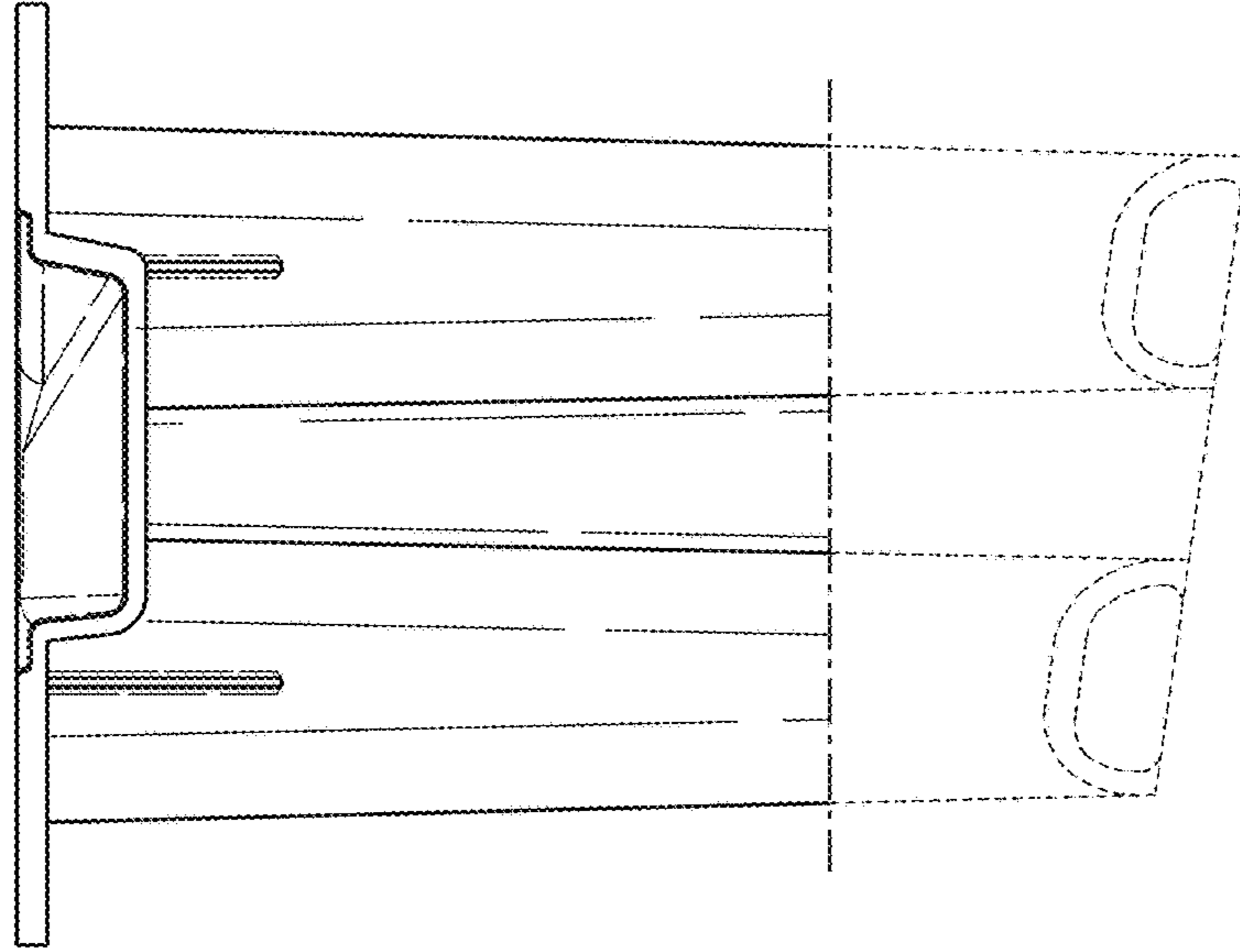


Fig. 8

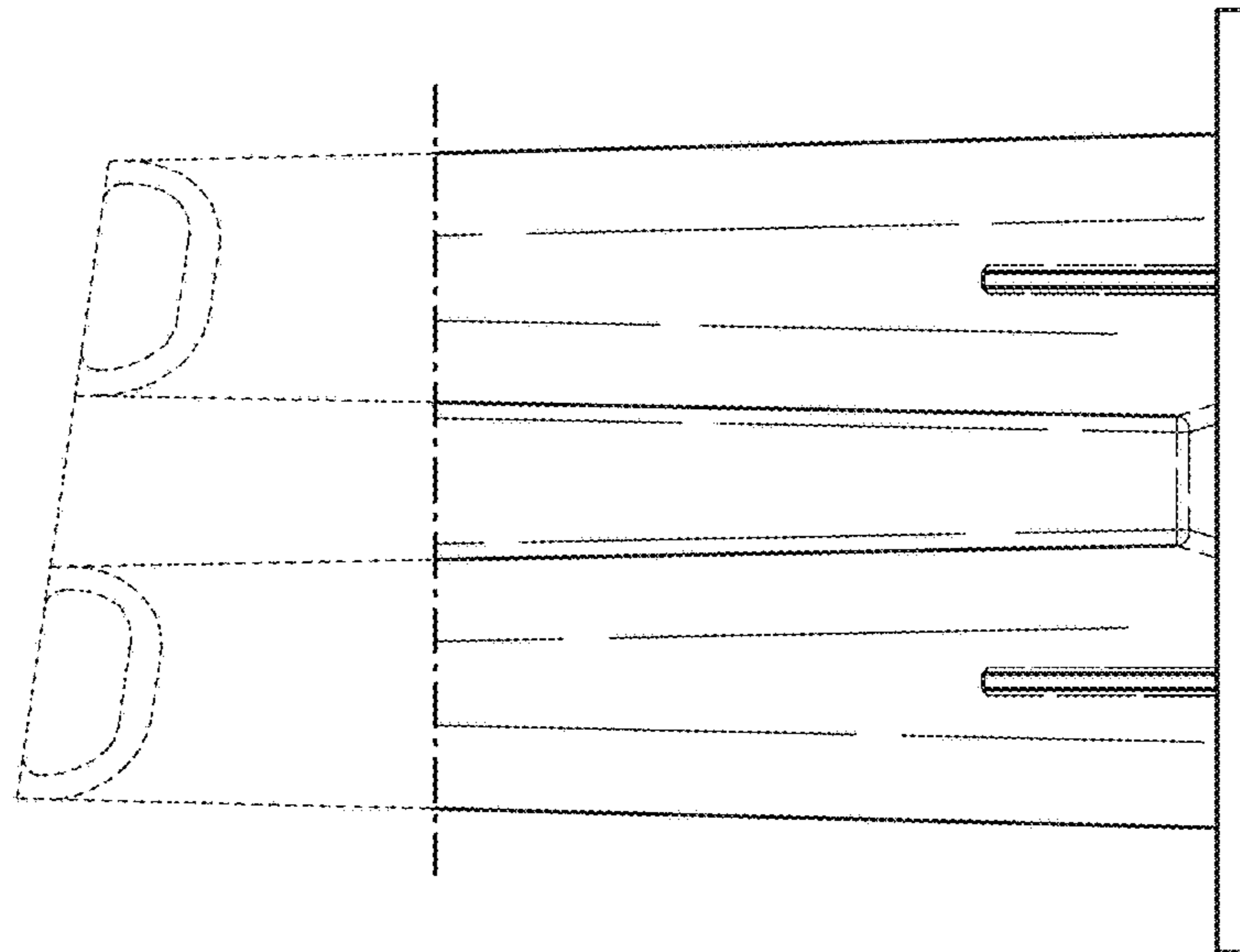


Fig. 7