



US00D835549S

(12) **United States Design Patent** (10) **Patent No.:** **US D835,549 S**  
**Tamura** (45) **Date of Patent:** **\*\* Dec. 11, 2018**

(54) **FRONT BUMPER FOR AUTOMOBILE**

(71) Applicant: **HONDA MOTOR CO., LTD.**, Tokyo (JP)

(72) Inventor: **Hirotooshi Tamura**, Wako (JP)

(73) Assignee: **HONDA MOTOR CO., LTD.**, Tokyo (JP)

(\*\*) Term: **15 Years**

(21) Appl. No.: **29/626,106**

(22) Filed: **Nov. 15, 2017**

(30) **Foreign Application Priority Data**

May 19, 2017 (JP) ..... 2017-010647

(51) **LOC (11) Cl.** ..... **12-16**

(52) **U.S. Cl.**  
USPC ..... **D12/169**

(58) **Field of Classification Search**  
CPC ..... B60R 19/02; B60R 19/04; B62D 25/08  
See application file for complete search history.

(56) **References Cited**

**U.S. PATENT DOCUMENTS**

D678,146 S	*	3/2013	Behmer	.....	D12/169
D695,162 S	*	12/2013	Scheinutte	.....	D12/169
D695,164 S	*	12/2013	Futschik	.....	D12/169
D712,801 S	*	9/2014	Kobayashi	.....	D12/169
D721,021 S	*	1/2015	Hanaoka	.....	D12/169

D733,624 S	*	7/2015	Morikawa	.....	D12/169
D760,132 S	*	6/2016	Choi	.....	D12/169
D760,631 S	*	7/2016	Choi	.....	D12/169
D775,560 S	*	1/2017	Choi	.....	D12/169
D787,990 S	*	5/2017	Kozub	.....	D12/169
D800,615 S	*	10/2017	Park	.....	D12/169
D805,448 S	*	12/2017	Chung	.....	D12/169
D811,290 S	*	2/2018	Ishii	.....	D12/169
D811,291 S	*	2/2018	Ishigaki	.....	D12/169
D811,964 S	*	3/2018	Perkins	.....	D12/169
D813,739 S	*	3/2018	Szavits	.....	D12/169
D819,524 S	*	6/2018	Behmer	.....	D12/169

\* cited by examiner

*Primary Examiner* — Melody N Brown

(74) *Attorney, Agent, or Firm* — Westerman, Hattori, Daniels & Adrian, LLP

(57) **CLAIM**

The ornamental design for a front bumper for automobile, as shown and described.

**DESCRIPTION**

FIG. 1 is a front and left side perspective view of a front bumper for automobile showing my new design;  
 FIG. 2 is a front elevation view thereof.  
 FIG. 3 is a left side elevation view thereof.  
 FIG. 4 is a right side elevation view thereof.  
 FIG. 5 is a top plan view thereof; and,  
 FIG. 6 is a bottom plan view thereof.  
 The broken lines shown in the drawings illustrate portions of the front bumper for automobile that form no part of the claimed design.

**1 Claim, 6 Drawing Sheets**

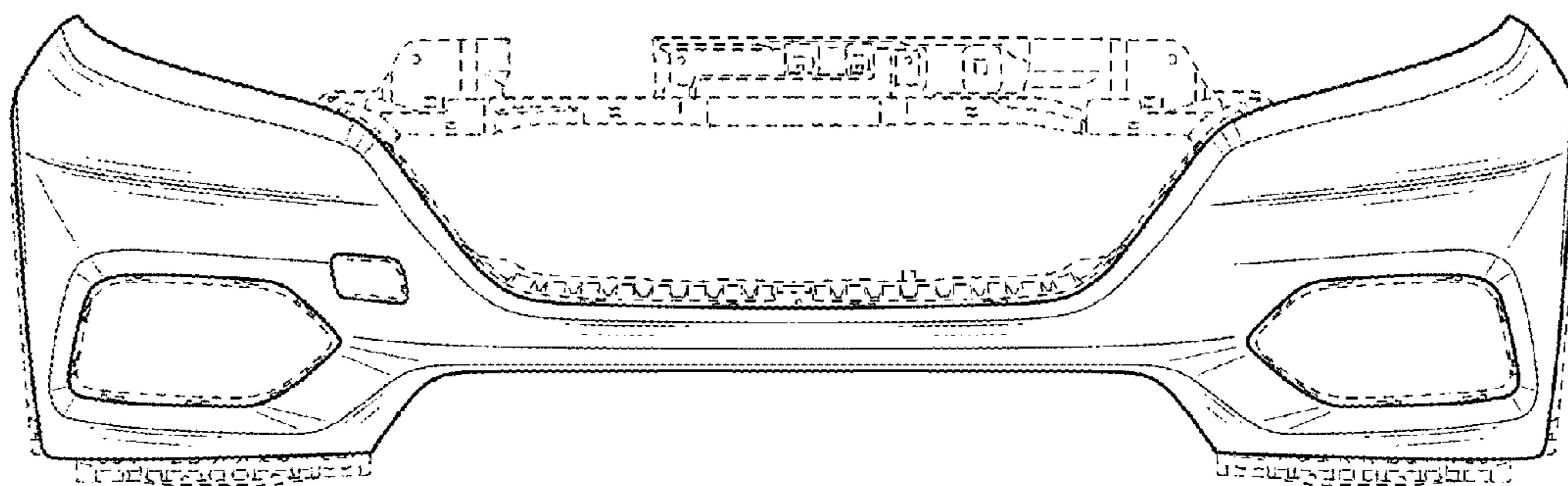


FIG. 1

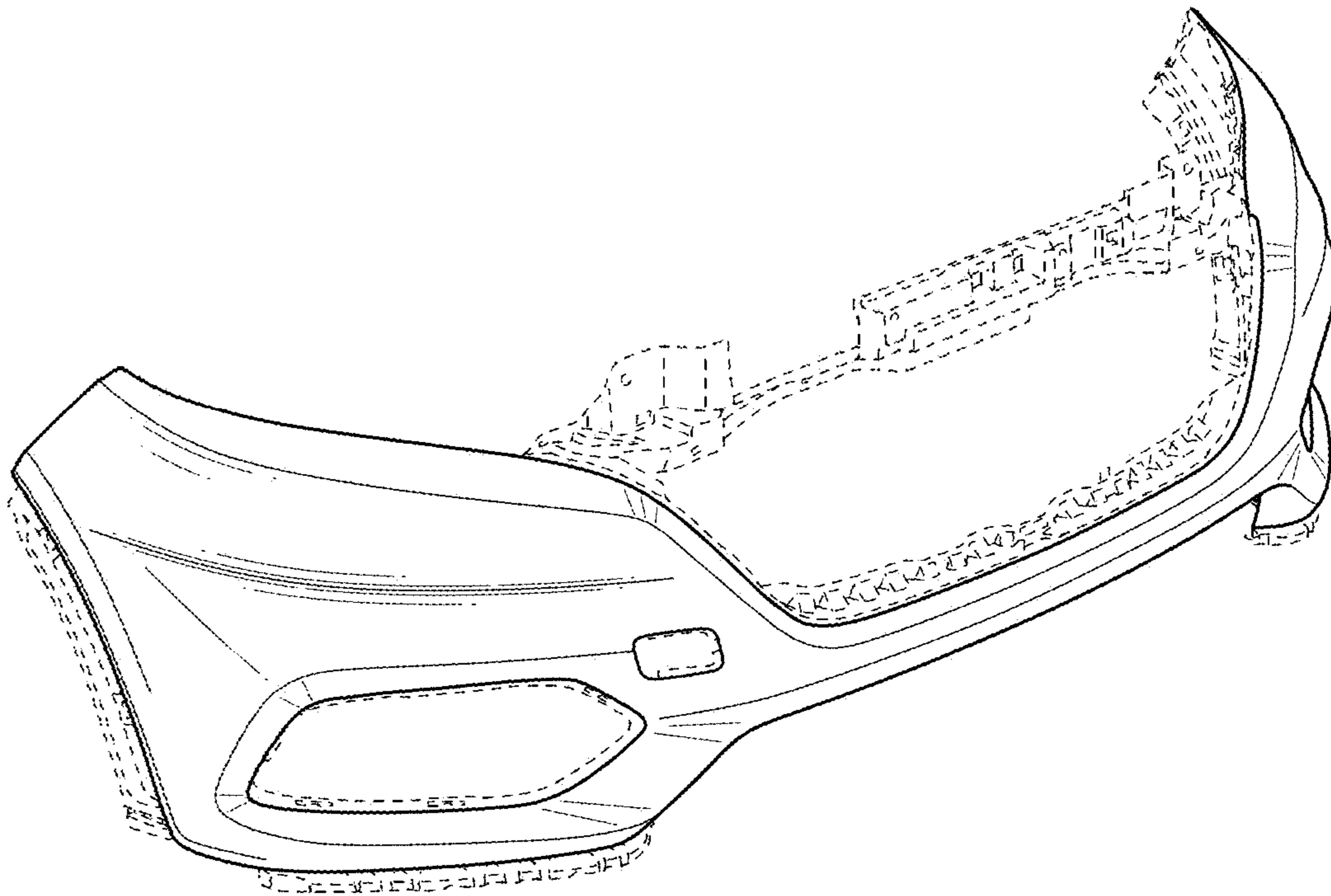


FIG. 2

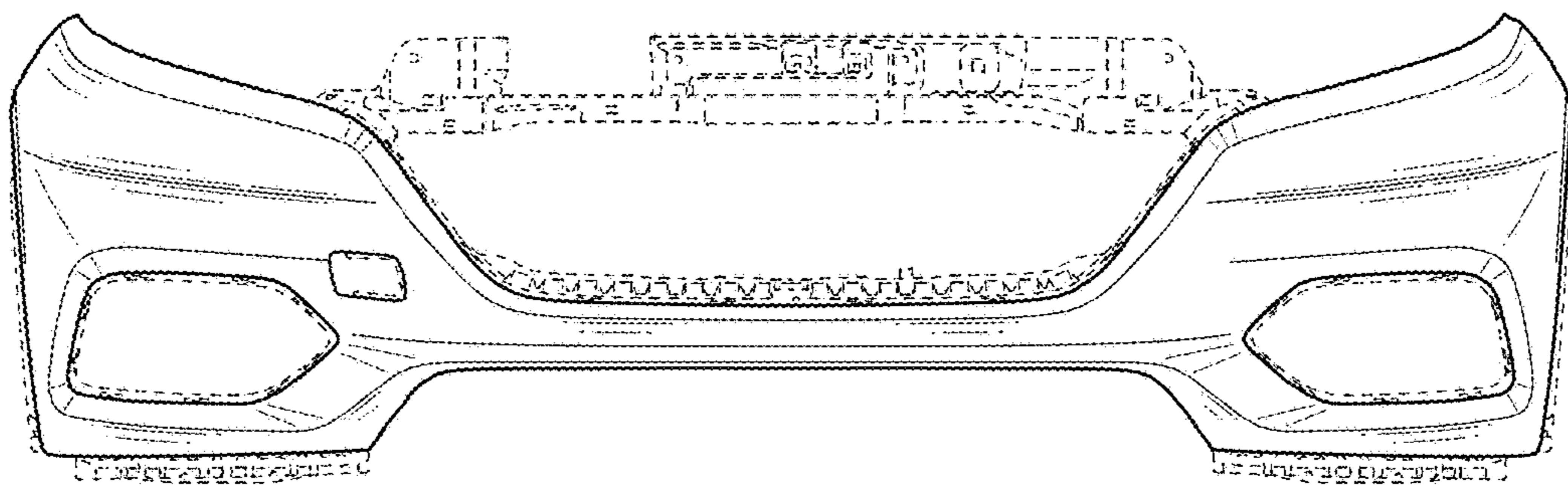


FIG. 3

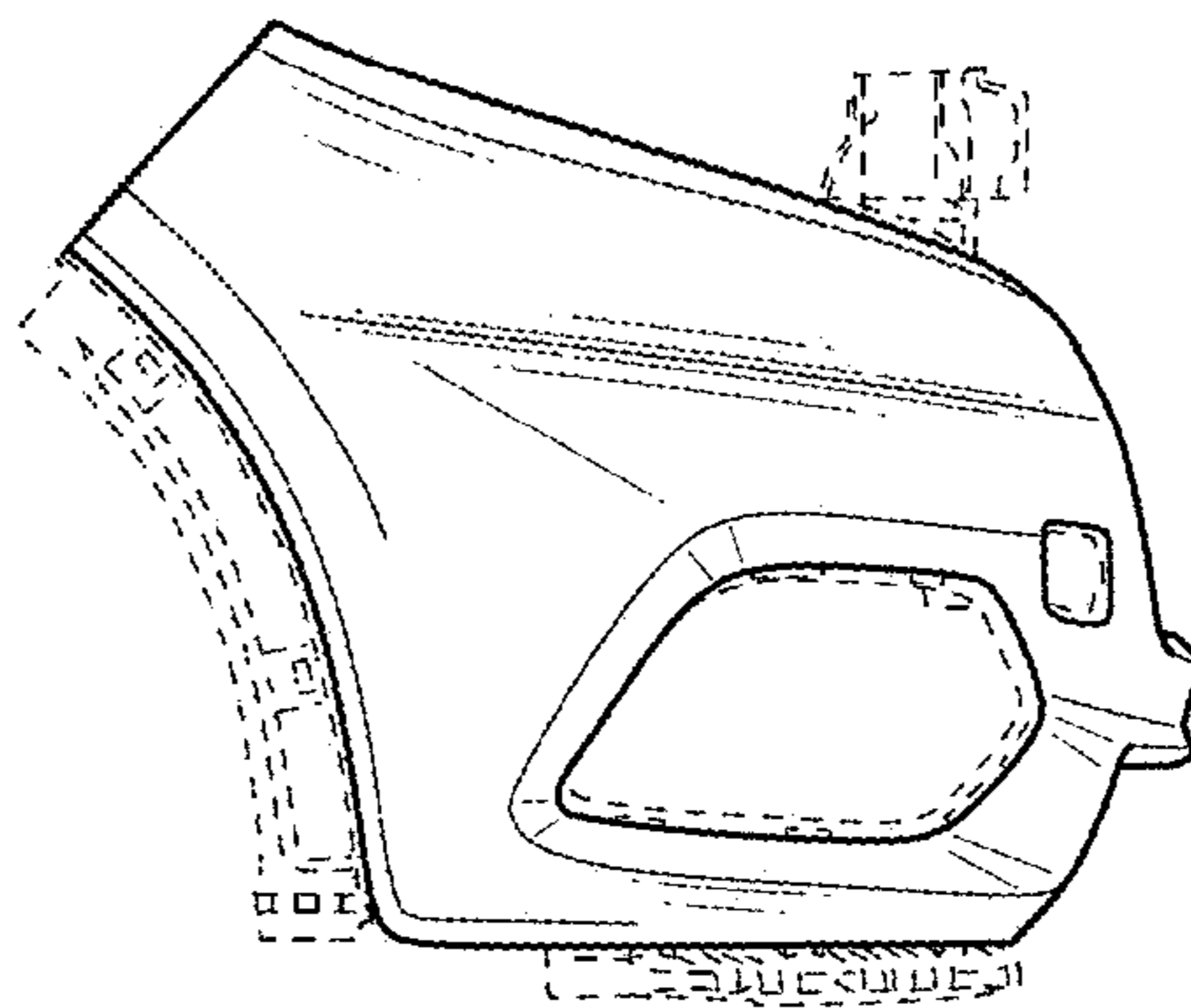


FIG. 4

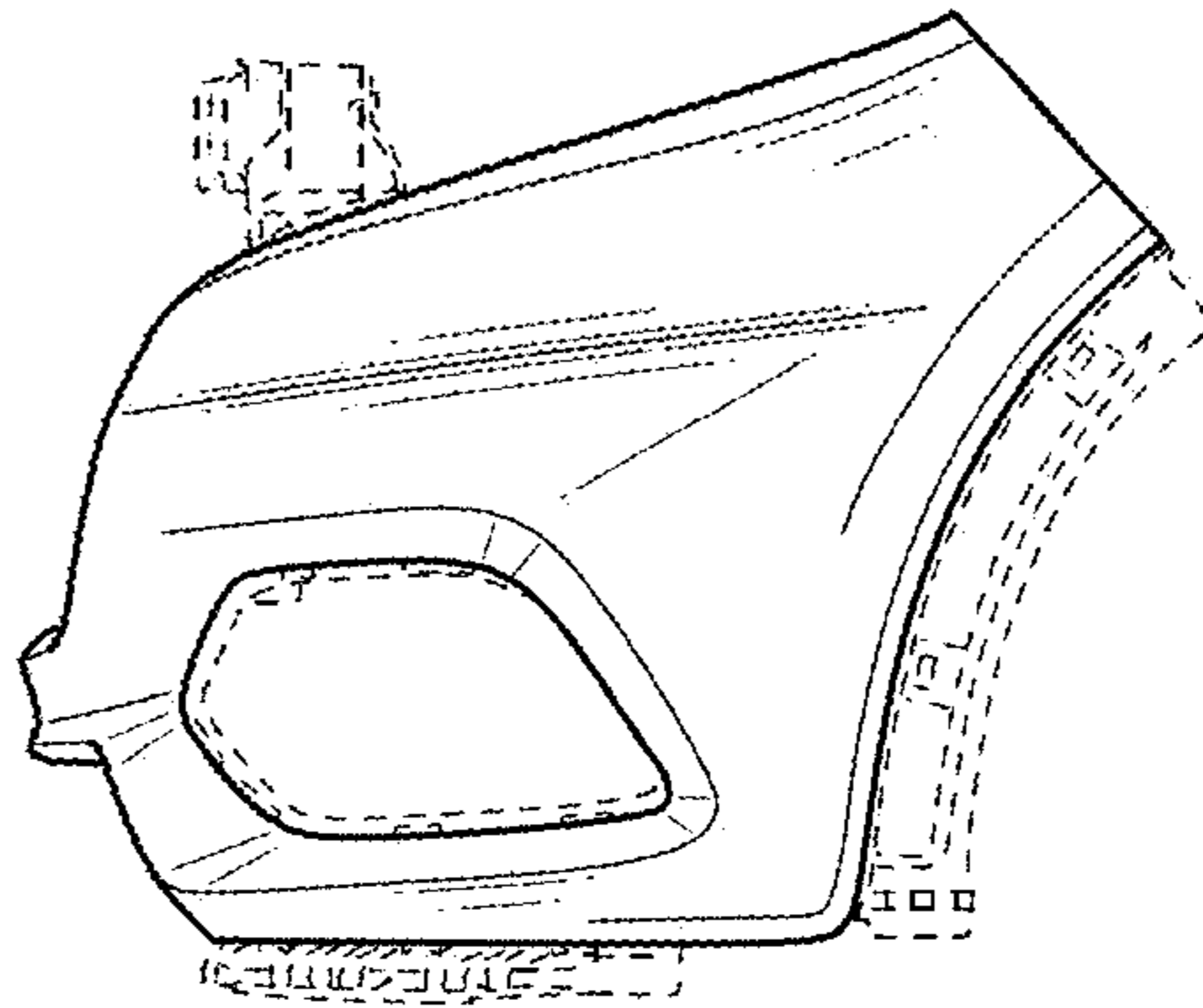


FIG. 5

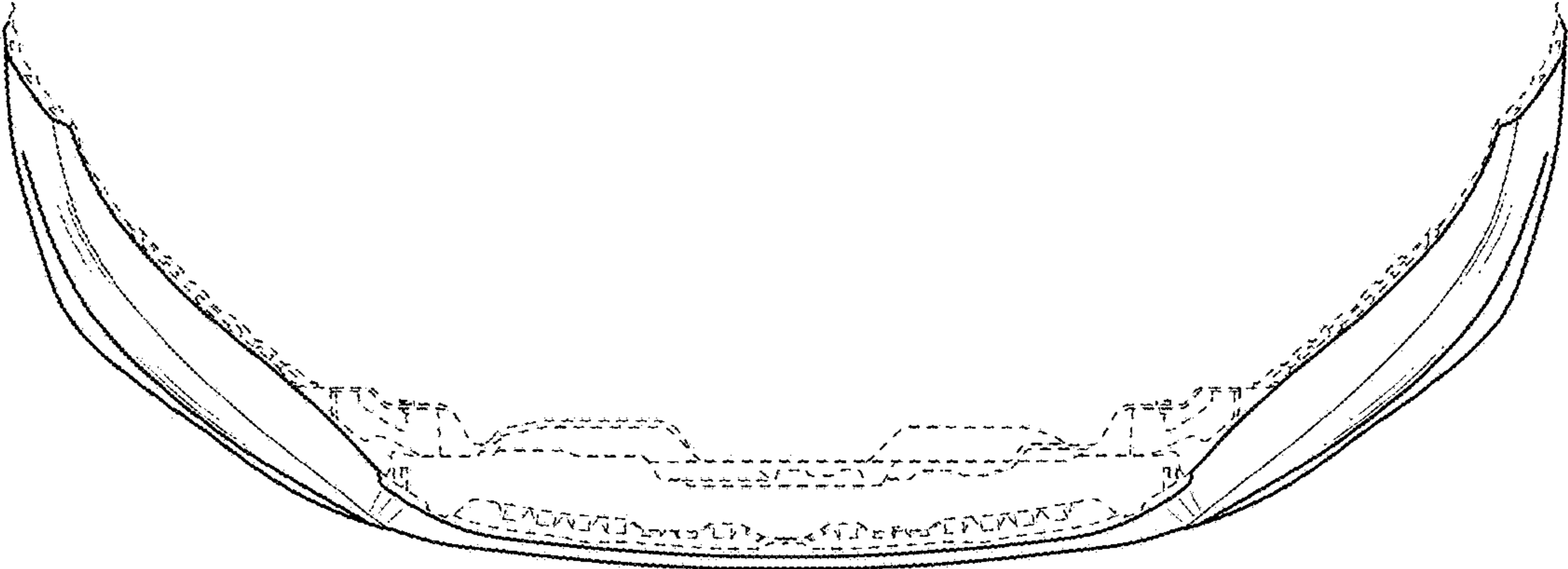


FIG. 6

