



US00D835546S

(12) **United States Design Patent** (10) **Patent No.:** **US D835,546 S**
Sarreméjean et al. (45) **Date of Patent:** **** Dec. 11, 2018**

(54) **VEHICLE, TOY AND/OR REPLICAS THEREOF**

FOREIGN PATENT DOCUMENTS

(71) Applicant: **Bayerische Motoren Werke Aktiengesellschaft, Munich (DE)**
(72) Inventors: **Julien Thibaut Thomas Sarreméjean, Munich (DE); Anders Thogersen, Munich (DE)**
(73) Assignee: **Bayerische Motoren Werke Aktiengesellschaft, Munich (DE)**

EM 004012839-0001 5/2017

* cited by examiner

Primary Examiner — Melody N Brown
(74) *Attorney, Agent, or Firm* — Crowell & Moring LLP

(**) Term: **15 Years**

(21) Appl. No.: **29/630,692**

(22) Filed: **Dec. 22, 2017**

(30) **Foreign Application Priority Data**

Jun. 30, 2017 (DE) 40 2017 100 781

(51) **LOC (11) Cl.** **12-08**

(52) **U.S. Cl.**
USPC **D12/91**

(58) **Field of Classification Search**
CPC B62D 25/00; B62D 25/06; B62D 33/00;
B62D 35/00
See application file for complete search history.

(56) **References Cited**

U.S. PATENT DOCUMENTS

D686,110 S * 7/2013 De Bono D12/91
D708,551 S * 7/2014 De Bono D12/91
D708,552 S * 7/2014 De Bono D12/91
D710,760 S 8/2014 Johnson
D716,189 S * 10/2014 Nordmann D12/92
D757,607 S * 5/2016 Nissl D12/91
D776,005 S * 1/2017 Forschner D12/91
D821,919 S * 7/2018 Simm D12/91

(57) **CLAIM**

The ornamental design for a vehicle, toy, and/or replicas thereof, as shown and described.

DESCRIPTION

This application contains subject matter related to the following co-pending U.S. design patent applications: Application Ser. No. 29/630,701, filed herewith and entitled “Front Fender for a Vehicle”; Application Ser. No. 29/630,702, filed herewith and entitled “Rear Fender for a Vehicle”; Application Ser. No. 29/630,703, filed herewith and entitled “Tailgate for a Vehicle”; Application Ser. No. 29/630,706, filed herewith and entitled “Radiator Grille for a Vehicle”; Application Ser. No. 29/605,288, filed May 25, 2017 and entitled “Vehicle, Toy, and/or Replicas Thereof”; and Application Ser. No. 29/630,695, filed herewith and entitled “Vehicle, Toy, and/or Replicas Thereof”.

FIG. 1 is a left, front perspective view of a vehicle, toy, and/or replicas thereof according to the design; FIG. 2 is a left side view thereof; FIG. 3 is a right side view thereof; FIG. 4 is a right, rear perspective view thereof; FIG. 5 is a front view thereof; FIG. 6 is a rear view thereof; and, FIG. 7 is a top view thereof.

1 Claim, 7 Drawing Sheets



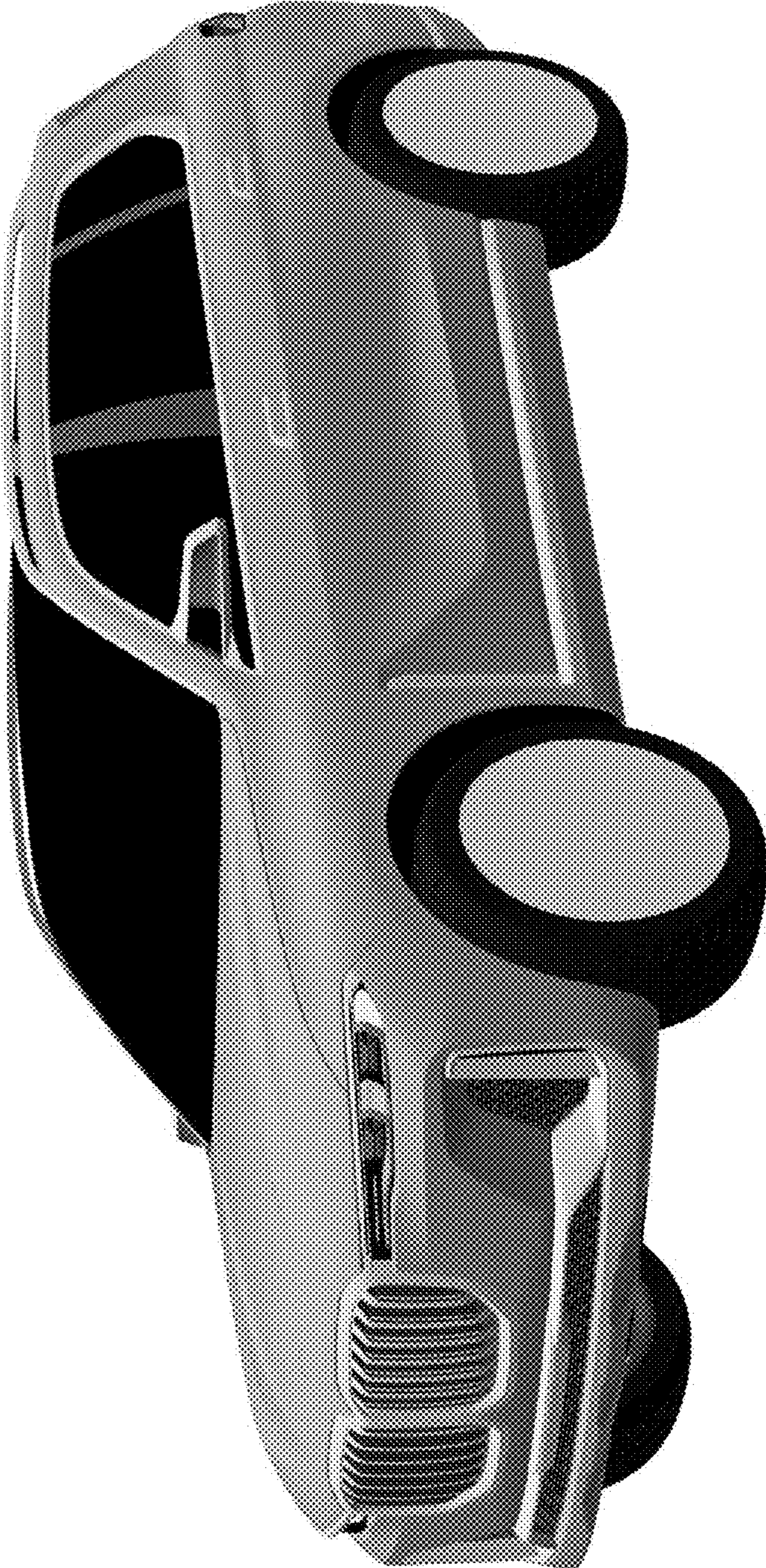


Fig. 1

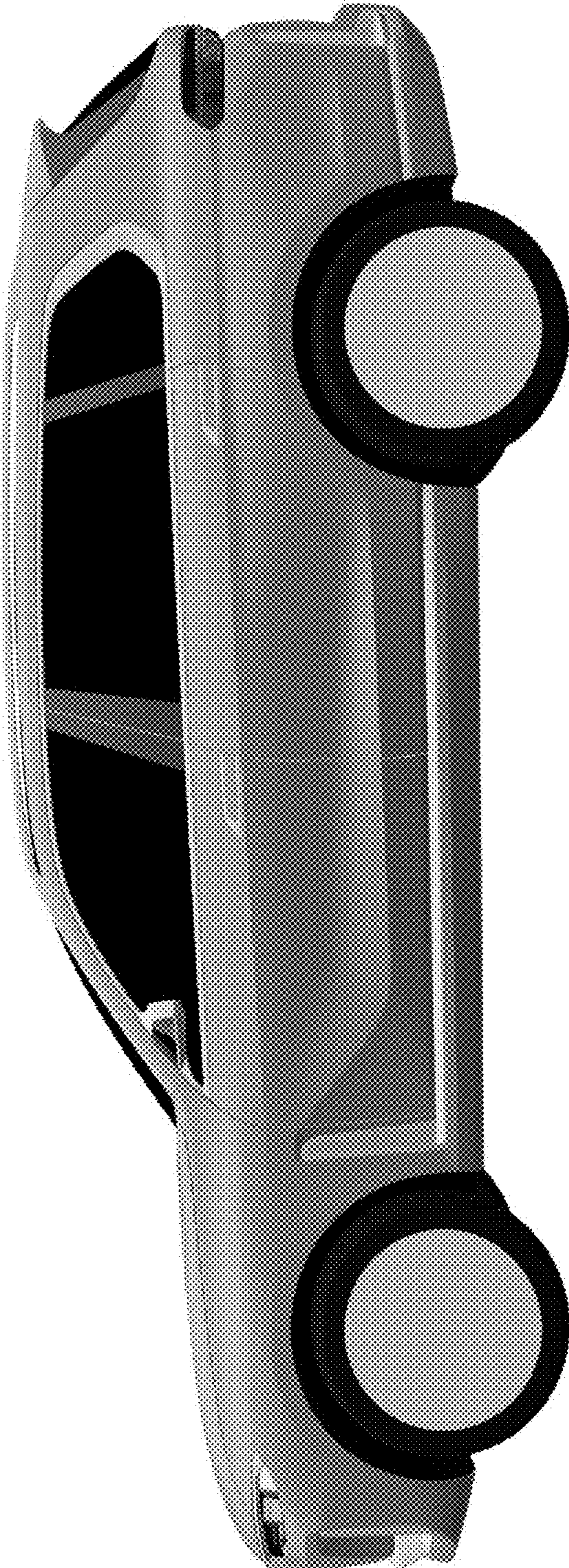


Fig. 2

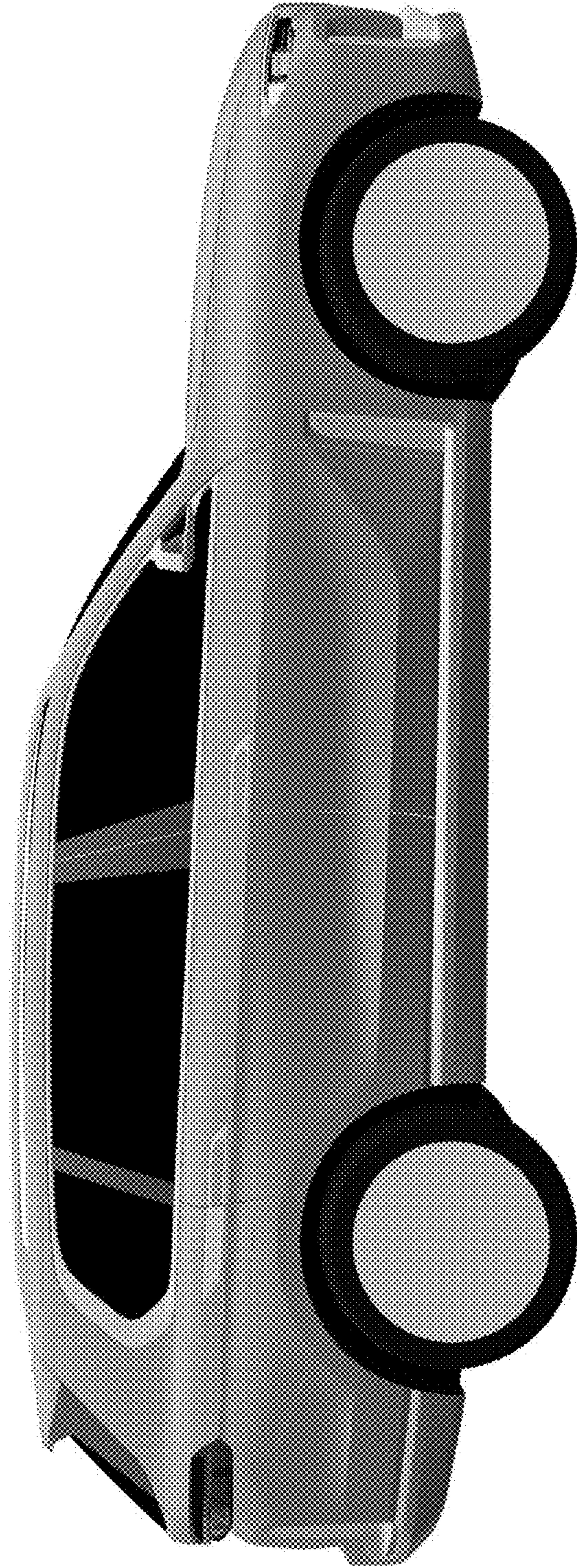


Fig. 3

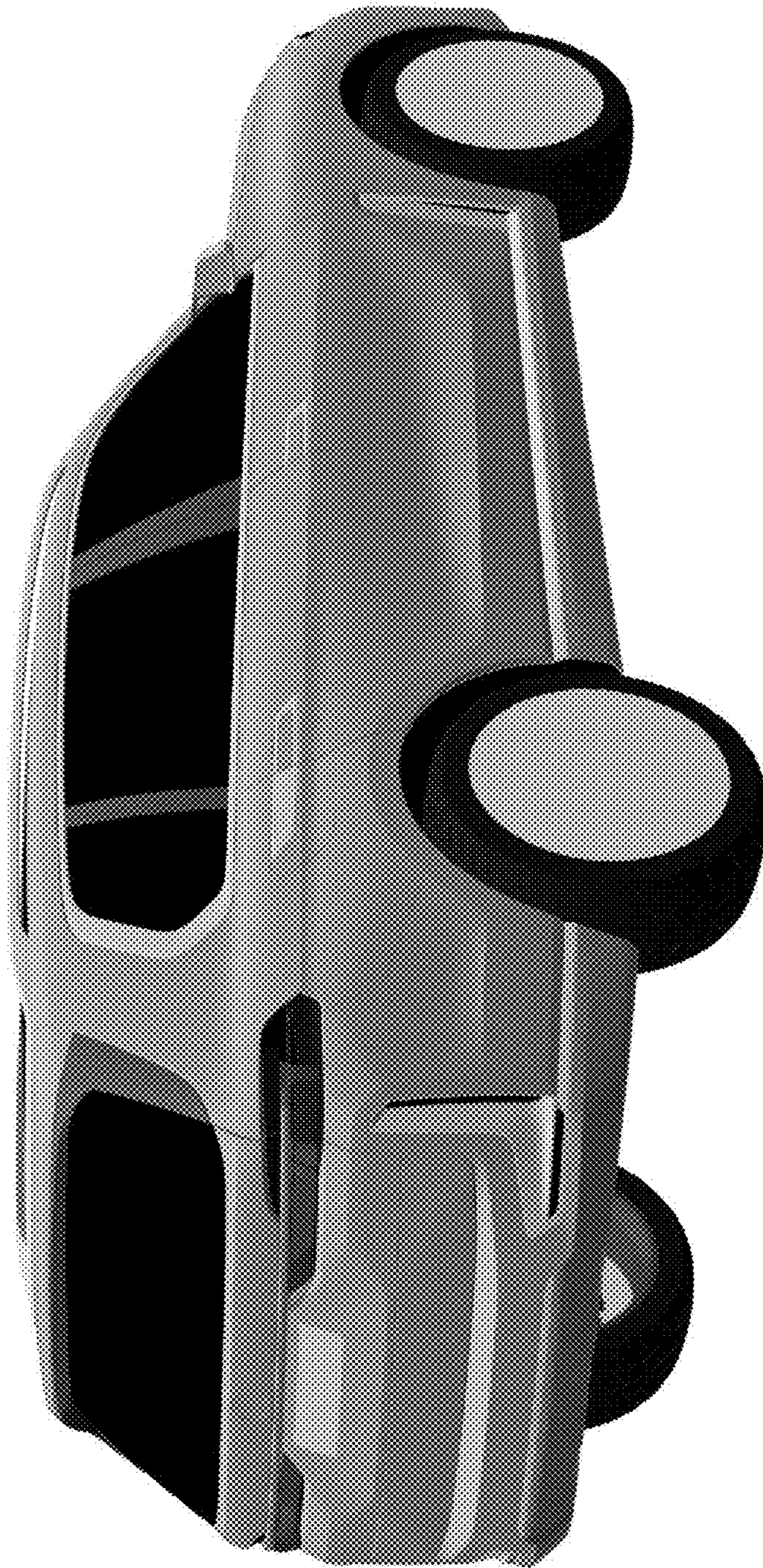


Fig. 4

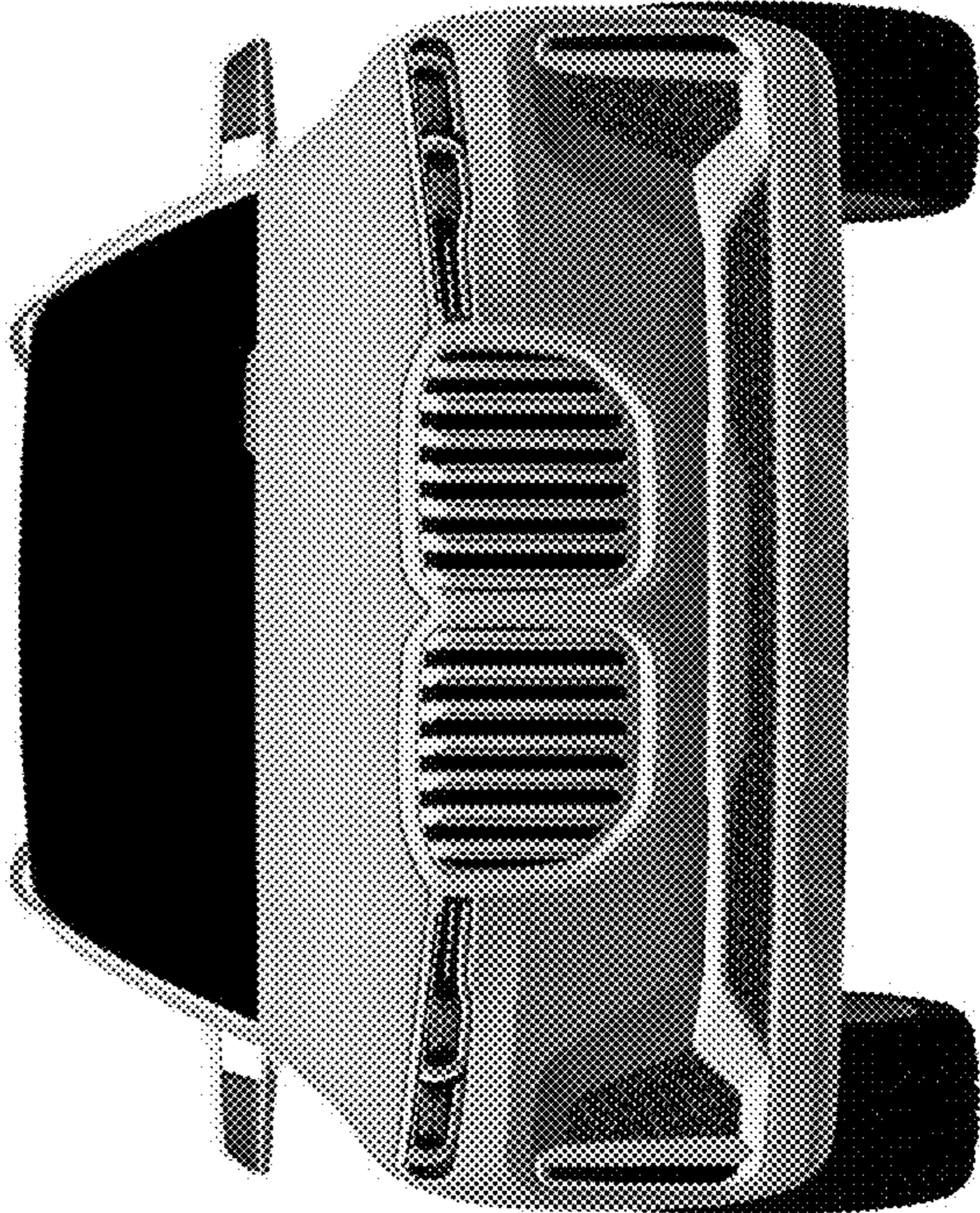


Fig. 5

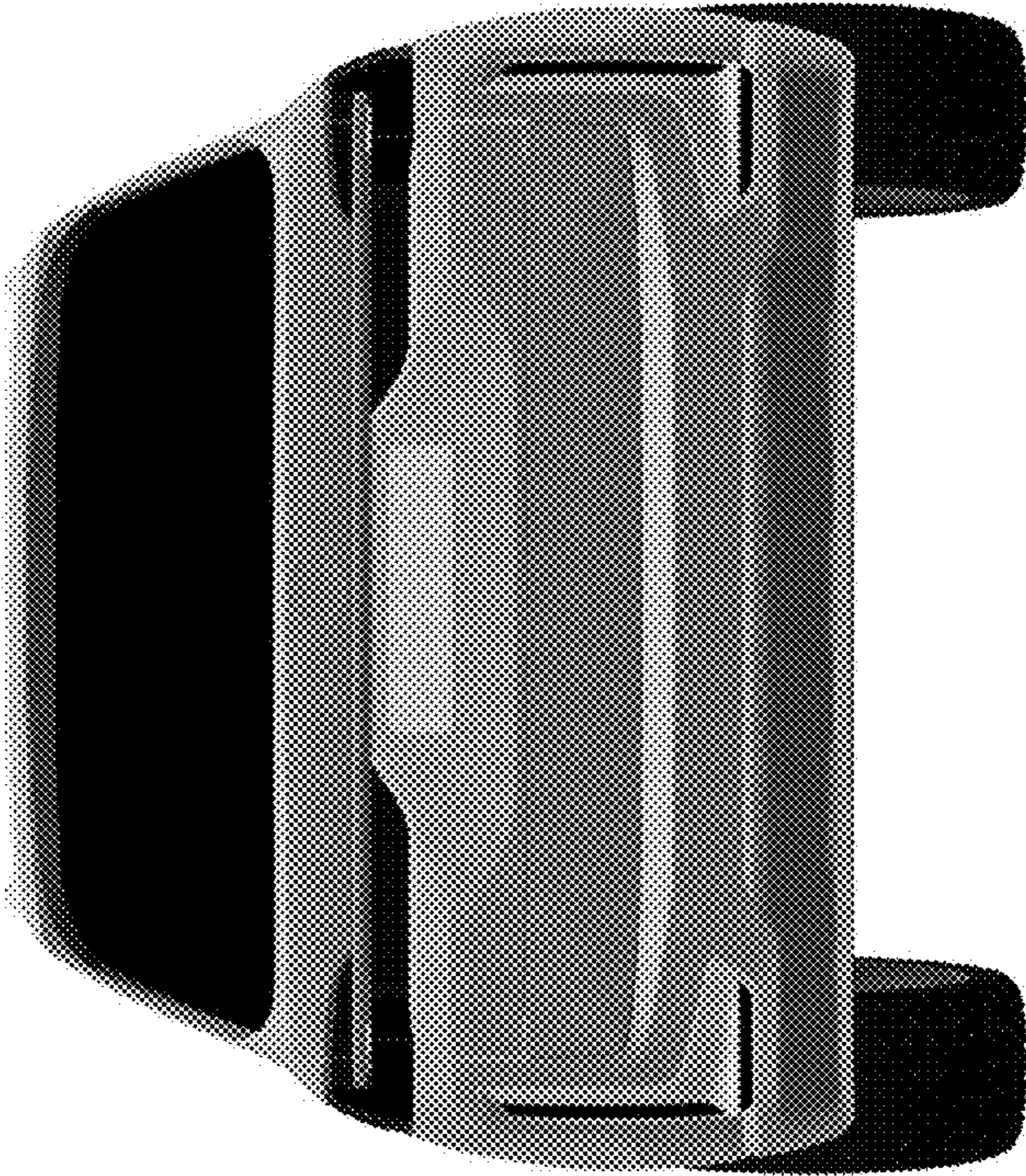


Fig. 6

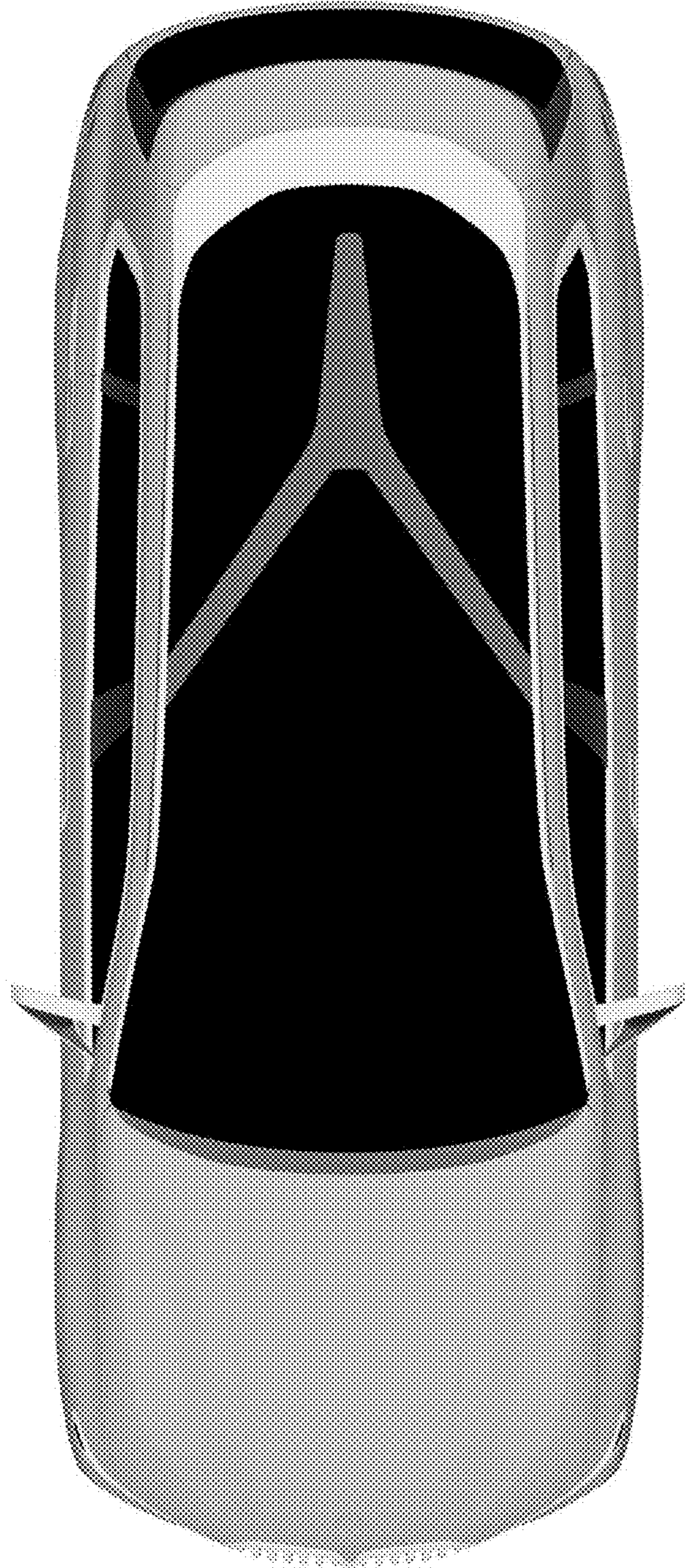


Fig. 7