



US00D835545S

(12) **United States Design Patent**  
**Hanten et al.**

(10) **Patent No.:** **US D835,545 S**  
(45) **Date of Patent:** **\*\* Dec. 11, 2018**

- (54) **OFF-ROAD VEHICLE**
- (71) Applicant: **Polaris Industries Inc.**, Medina, MN (US)
- (72) Inventors: **Michael J. Hanten**, Delano, MN (US);  
**Curtis C. Carruth**, Maple Grove, MN (US); **Thomas C. Hanegraaf**, Elk River, MN (US)
- (73) Assignee: **Polaris Industries Inc.**, Medina, MN (US)
- (\*\*) Term: **15 Years**
- (21) Appl. No.: **29/594,444**
- (22) Filed: **Feb. 17, 2017**
- (51) **LOC (11) Cl.** ..... **12-08**
- (52) **U.S. Cl.**  
USPC ..... **D12/87**
- (58) **Field of Classification Search**  
USPC ..... D12/3, 4, 5, 14, 85, 86, 87, 107, 110  
CPC ..... B62D 23/00; B62D 21/18; B62D 21/183;  
B62D 24/02; B62D 25/00; B62D 39/00;  
B62D 49/06; B62D 49/0621  
See application file for complete search history.

5,063,811 A	11/1991	Smith	
5,078,223 A	1/1992	Ishiwatari	
5,086,858 A	2/1992	Mizuta	
D327,237 S *	6/1992	Miyamoto	..... D12/87
5,129,700 A	7/1992	Trevisan	
5,251,713 A	10/1993	Enokimoto	
5,327,989 A	7/1994	Furuhashi	
5,401,056 A	3/1995	Eastman	
5,855,386 A	1/1999	Atkins	
5,975,573 A	11/1999	Belleau	
6,203,043 B1	3/2001	Lehman	
6,301,993 B1	10/2001	On	
6,334,269 B1	1/2002	Dilks	
6,523,634 B1	2/2003	Gagnon	
6,732,830 B2	5/2004	Gagnon	
6,799,781 B2	10/2004	Rasidescu	
D500,707 S *	1/2005	Lu	..... D12/87
D503,658 S *	4/2005	Lu	..... D12/87
6,908,108 B1	6/2005	Scarla	
D549,133 S *	8/2007	LePage	..... D12/87

(Continued)

*Primary Examiner* — Darlington Ly  
(74) *Attorney, Agent, or Firm* — Faegre Baker Daniels LLP

(57) **CLAIM**

We claim the ornamental design for an off-road vehicle, as shown and described.

**DESCRIPTION**

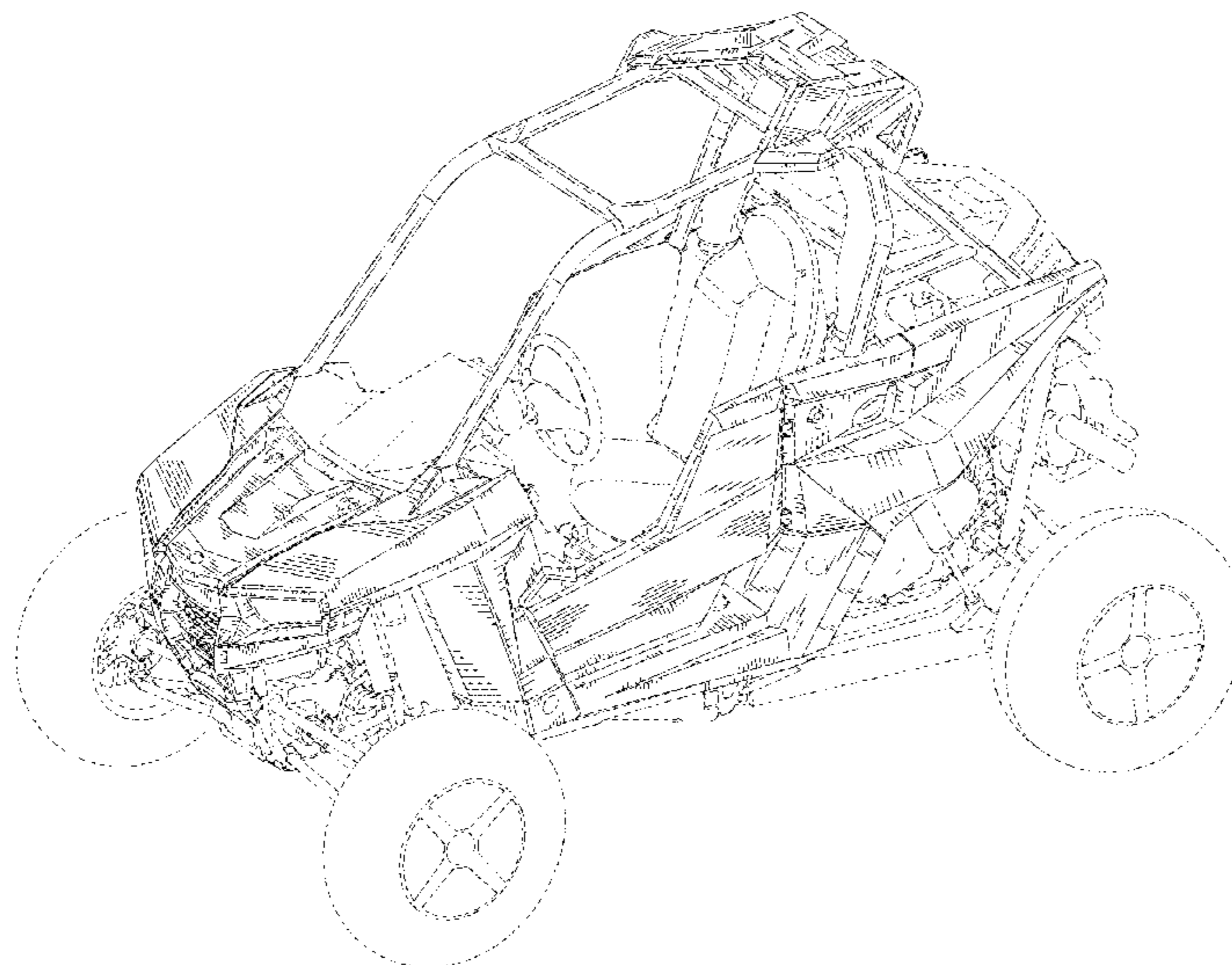
FIG. 1 is a top, front, and left side perspective view of an off-road vehicle as shown and described;  
FIG. 2 is a top, rear, and right side perspective view thereof;  
FIG. 3 is a left side elevational view thereof;  
FIG. 4 is a right side elevational view thereof;  
FIG. 5 is a top plan view thereof;  
FIG. 6 is a front elevational view thereof; and,  
FIG. 7 is a rear elevational view thereof.  
The portions of the off-road vehicle shown in broken lines form no part of the claimed design.

**1 Claim, 7 Drawing Sheets**

(56) **References Cited**

U.S. PATENT DOCUMENTS

1,521,976 A	1/1925	Swain	
2,624,592 A	1/1953	MacPherson	
2,660,449 A	11/1953	MacPherson	
3,400,607 A	9/1968	Smith	
4,159,835 A	7/1979	Leja	
D286,760 S *	11/1986	Ooba	..... D12/87
4,699,234 A	10/1987	Shinozaki	
4,714,126 A	12/1987	Shinozaki	
4,798,399 A	1/1989	Cameron	
4,924,959 A	5/1990	Handa	
D312,989 S *	12/1990	Murata	..... D12/87



(56)

References Cited

U.S. PATENT DOCUMENTS

7,506,714 B2 3/2009 Davis  
 7,510,199 B2 3/2009 Nash  
 7,607,368 B2 10/2009 Takahashi  
 7,650,959 B2 1/2010 Kato  
 7,658,258 B2 2/2010 Denney  
 D622,631 S \* 8/2010 Lai ..... D12/87  
 7,802,816 B2 9/2010 McGuire  
 7,819,220 B2 10/2010 Sundahl  
 7,828,098 B2 11/2010 Yamamoto  
 7,931,106 B1 4/2011 Suzuki  
 7,942,447 B2 5/2011 Davis  
 7,954,853 B2 6/2011 Davis  
 D650,311 S \* 12/2011 Bracy ..... D12/87  
 D660,746 S \* 5/2012 Bracy ..... D12/87  
 8,191,930 B2 6/2012 Davis  
 8,382,125 B2 2/2013 Sundahl  
 D682,739 S \* 5/2013 Patterson ..... D12/87  
 8,596,405 B2 12/2013 Sundahl  
 D701,469 S \* 3/2014 Lai ..... D12/87  
 D703,102 S \* 4/2014 Eck ..... D12/87  
 8,708,359 B2 4/2014 Murray  
 D705,127 S \* 5/2014 Patterson ..... D12/87  
 D712,311 S \* 9/2014 Morgan ..... D12/87  
 D719,061 S \* 12/2014 Tandrup ..... D12/87  
 D737,724 S \* 9/2015 Schroeder ..... D12/14  
 D739,304 S \* 9/2015 Brown ..... D12/87  
 9,327,587 B2 \* 5/2016 Spindler ..... B62D 23/005

D762,522 S \* 8/2016 Kinoshita ..... D12/87  
 D772,755 S \* 11/2016 Tandrup ..... D12/14  
 9,776,481 B2 \* 10/2017 Deckard ..... B62D 21/183  
 D804,993 S \* 12/2017 Eck ..... D12/87  
 D805,009 S \* 12/2017 Eck ..... D12/171  
 D805,015 S \* 12/2017 Eck ..... D12/196  
 2002/0056969 A1 5/2002 Sawai  
 2002/0088661 A1 7/2002 Gagnon  
 2004/0129489 A1 7/2004 Brasseal  
 2006/0006623 A1 1/2006 Leclair  
 2006/0151970 A1 7/2006 Kaminski  
 2006/0197331 A1 9/2006 Davis  
 2006/0220330 A1 10/2006 Urquidi  
 2007/0000715 A1 1/2007 Denney  
 2007/0257479 A1 11/2007 Davis  
 2008/0023240 A1 1/2008 Sundahl  
 2008/0023249 A1 1/2008 Sundahl  
 2008/0048423 A1 2/2008 Eriksson  
 2008/0053738 A1 3/2008 Kosuge  
 2008/0240847 A1 10/2008 Crouse  
 2008/0303234 A1 12/2008 McCann  
 2009/0071739 A1 3/2009 Leonard  
 2009/0146119 A1 6/2009 Bailey  
 2009/0183939 A1 7/2009 Smith  
 2010/0012412 A1 1/2010 Deckard  
 2011/0298189 A1 12/2011 Schneider  
 2012/0193163 A1 8/2012 Wimpfheimer  
 2013/0307243 A1 11/2013 Ham  
 2015/0210319 A1 7/2015 Tiramani

\* cited by examiner

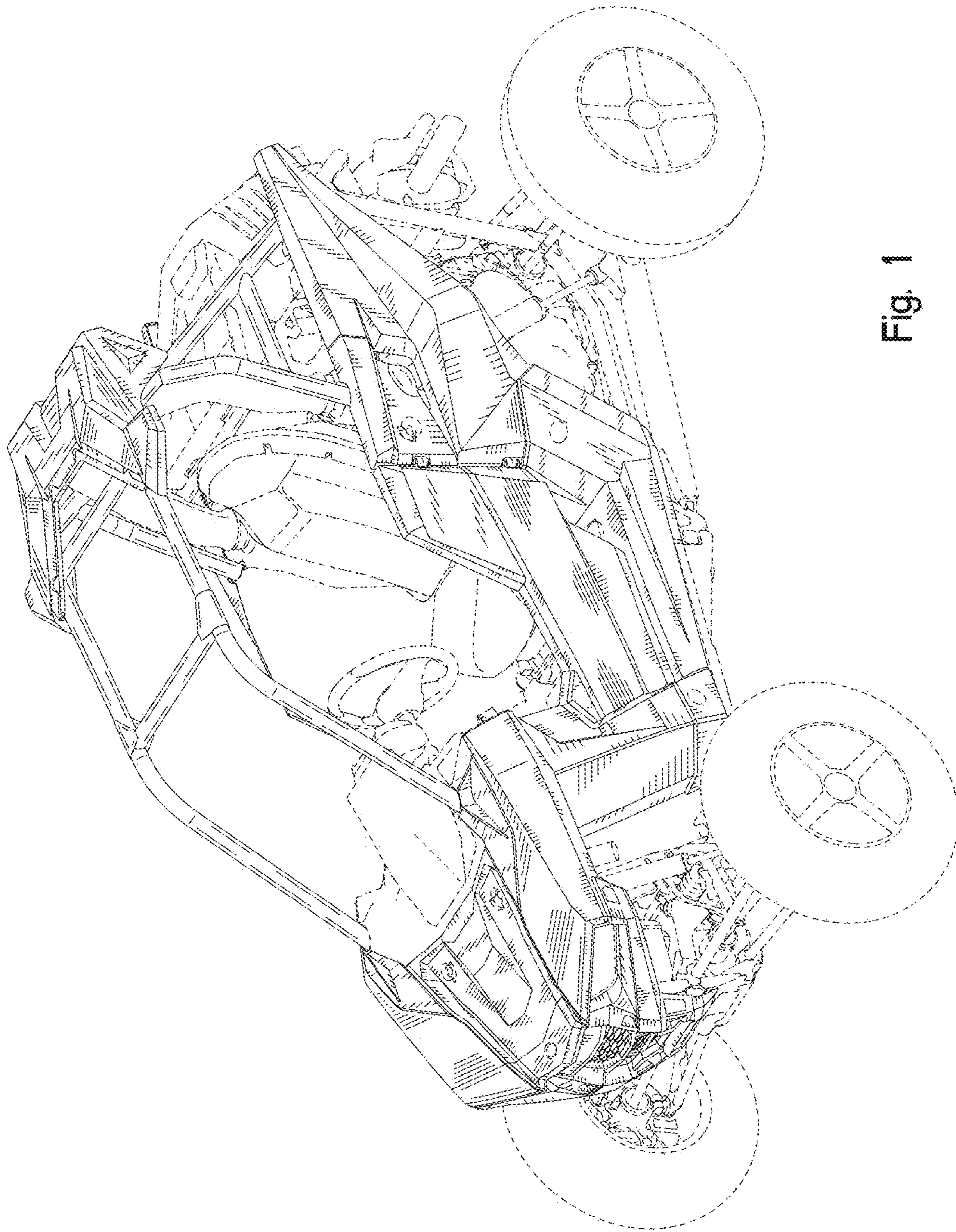


Fig. 1

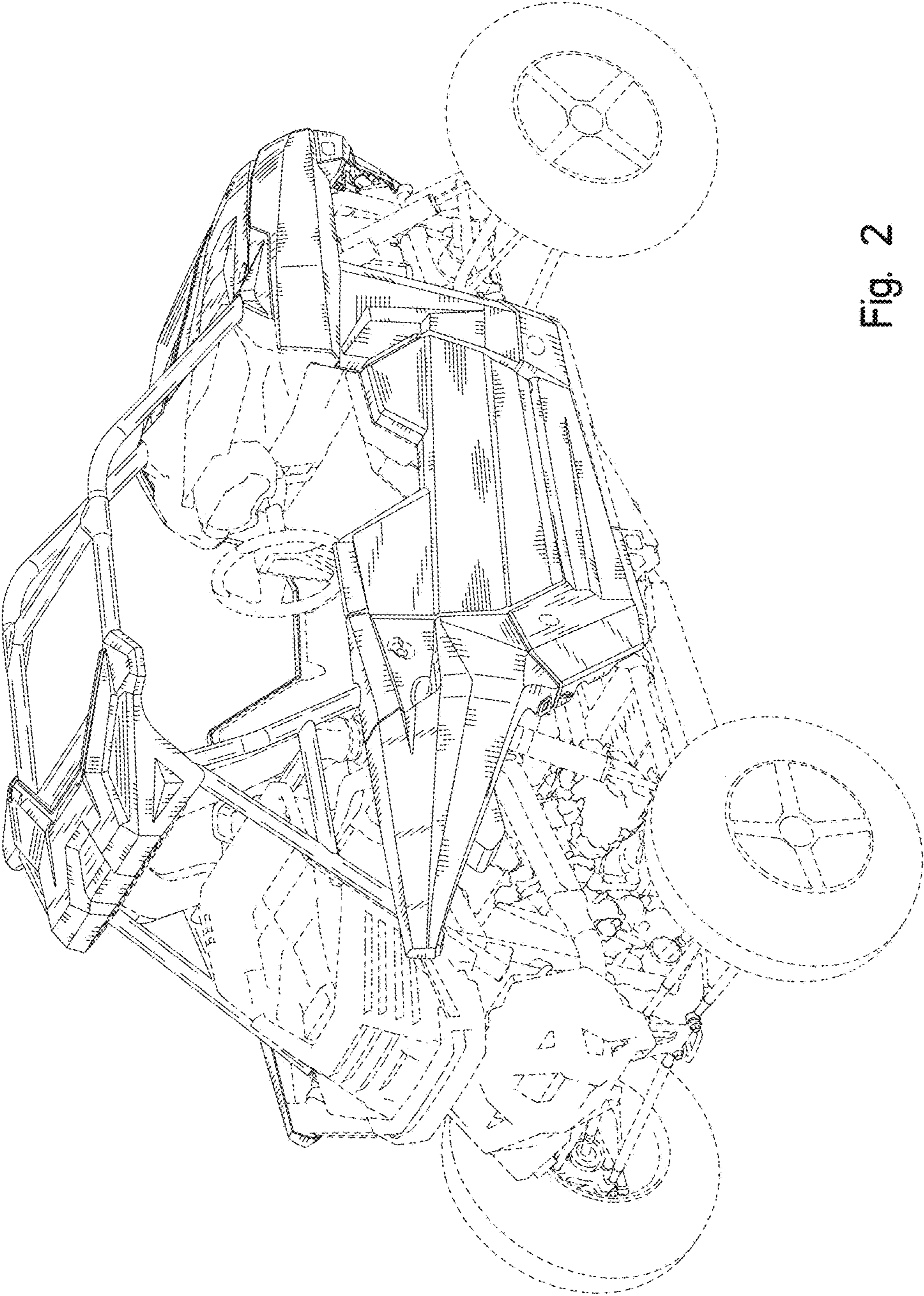


Fig. 2

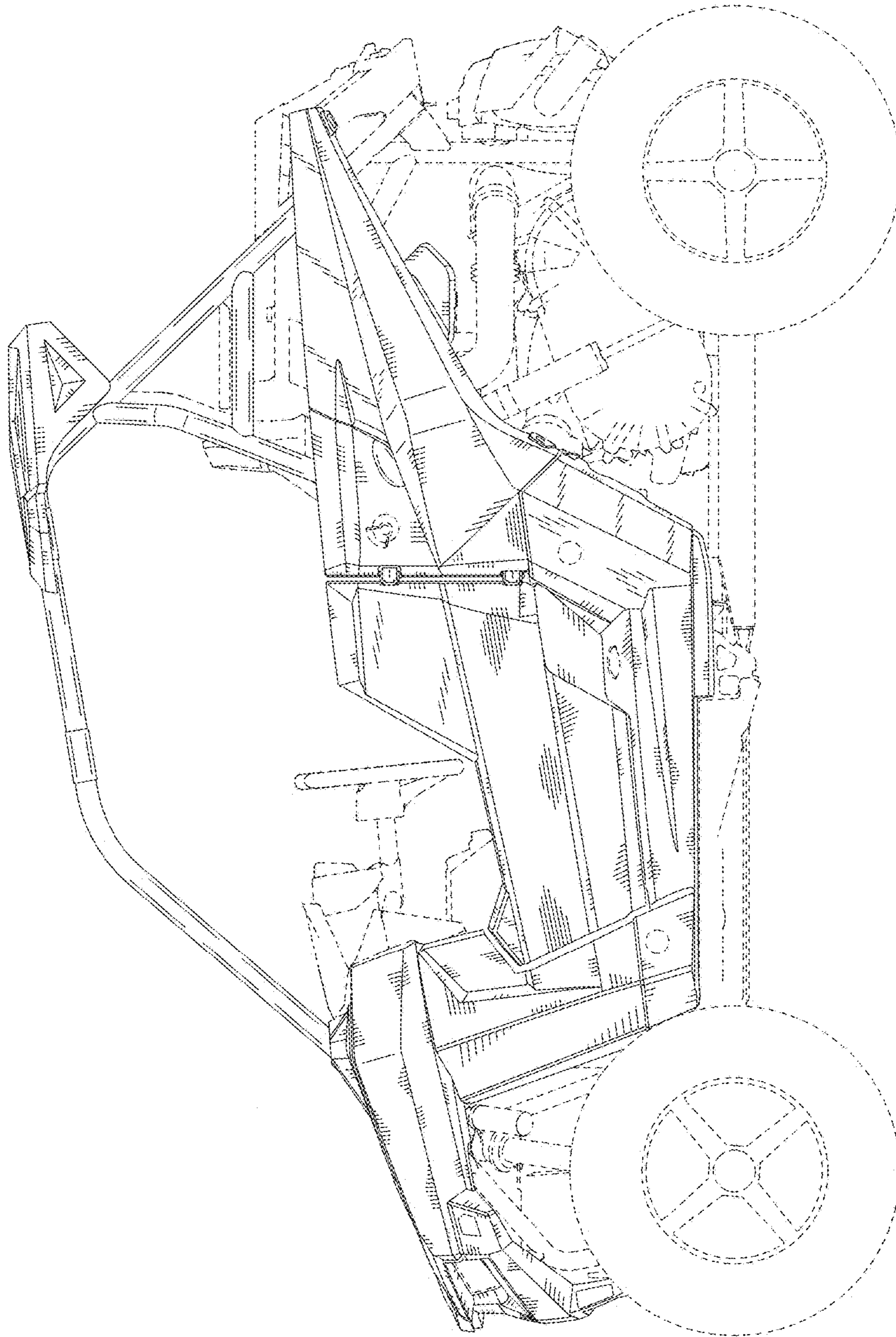


Fig. 3

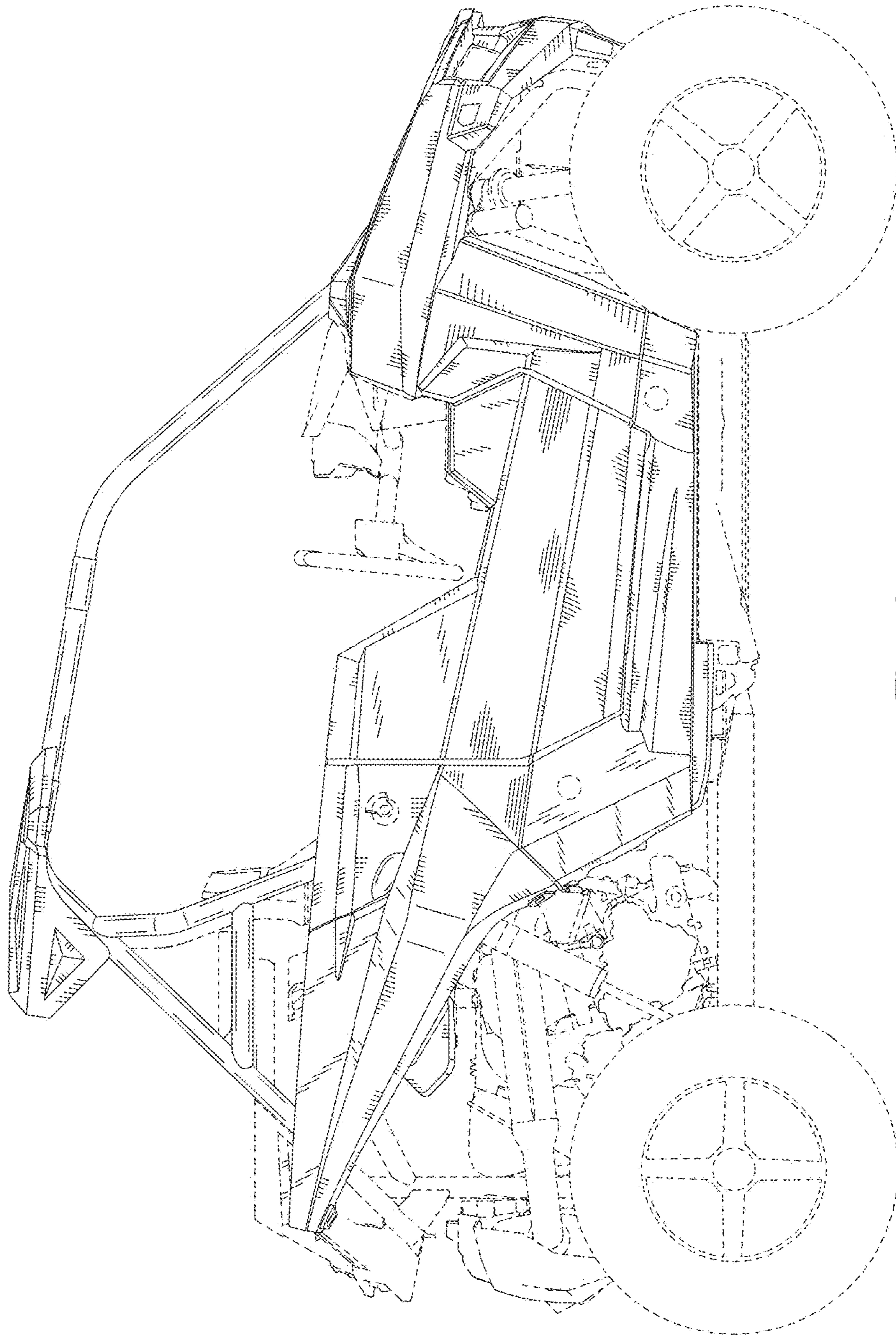


Fig. 4

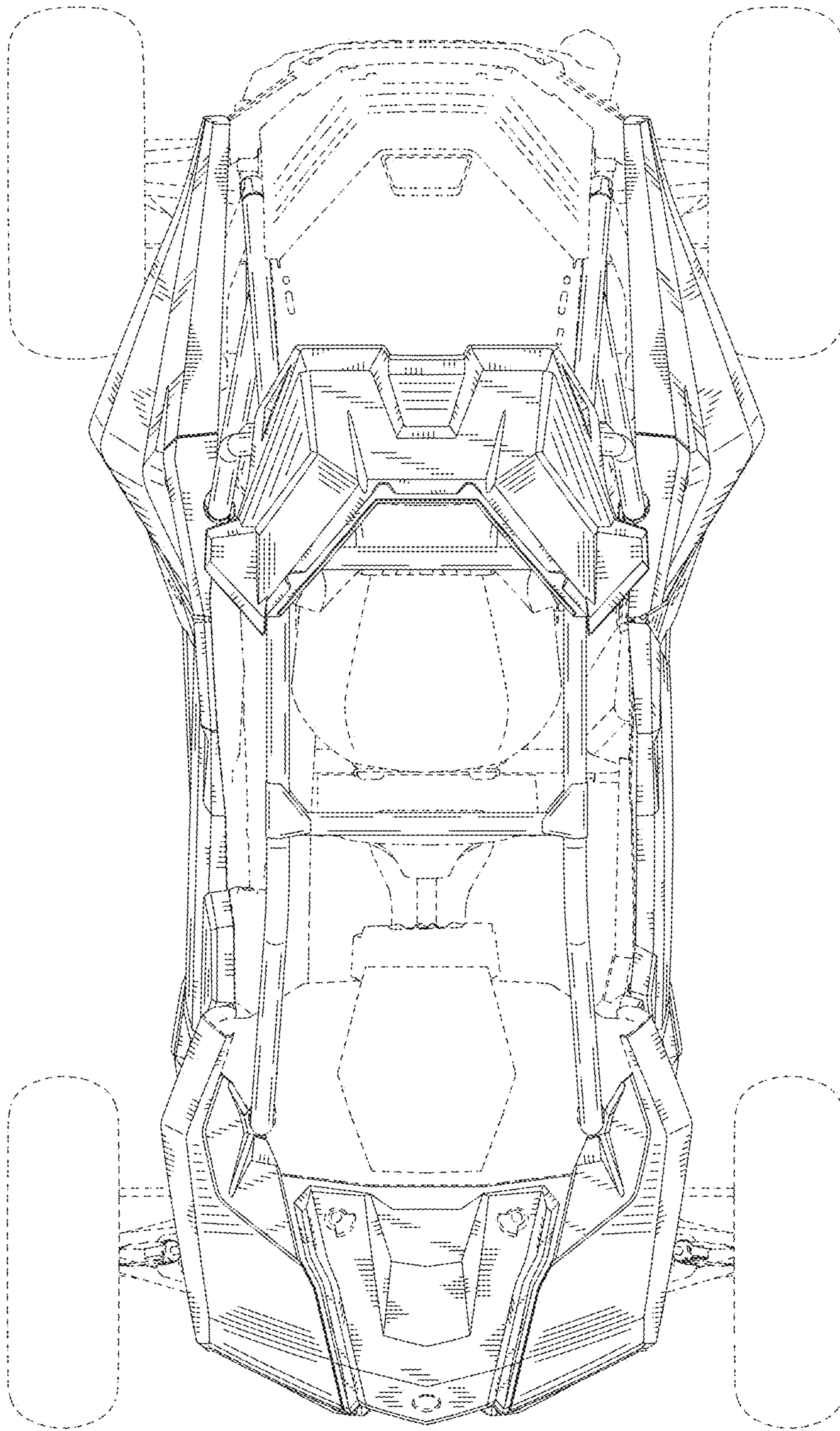


Fig. 5

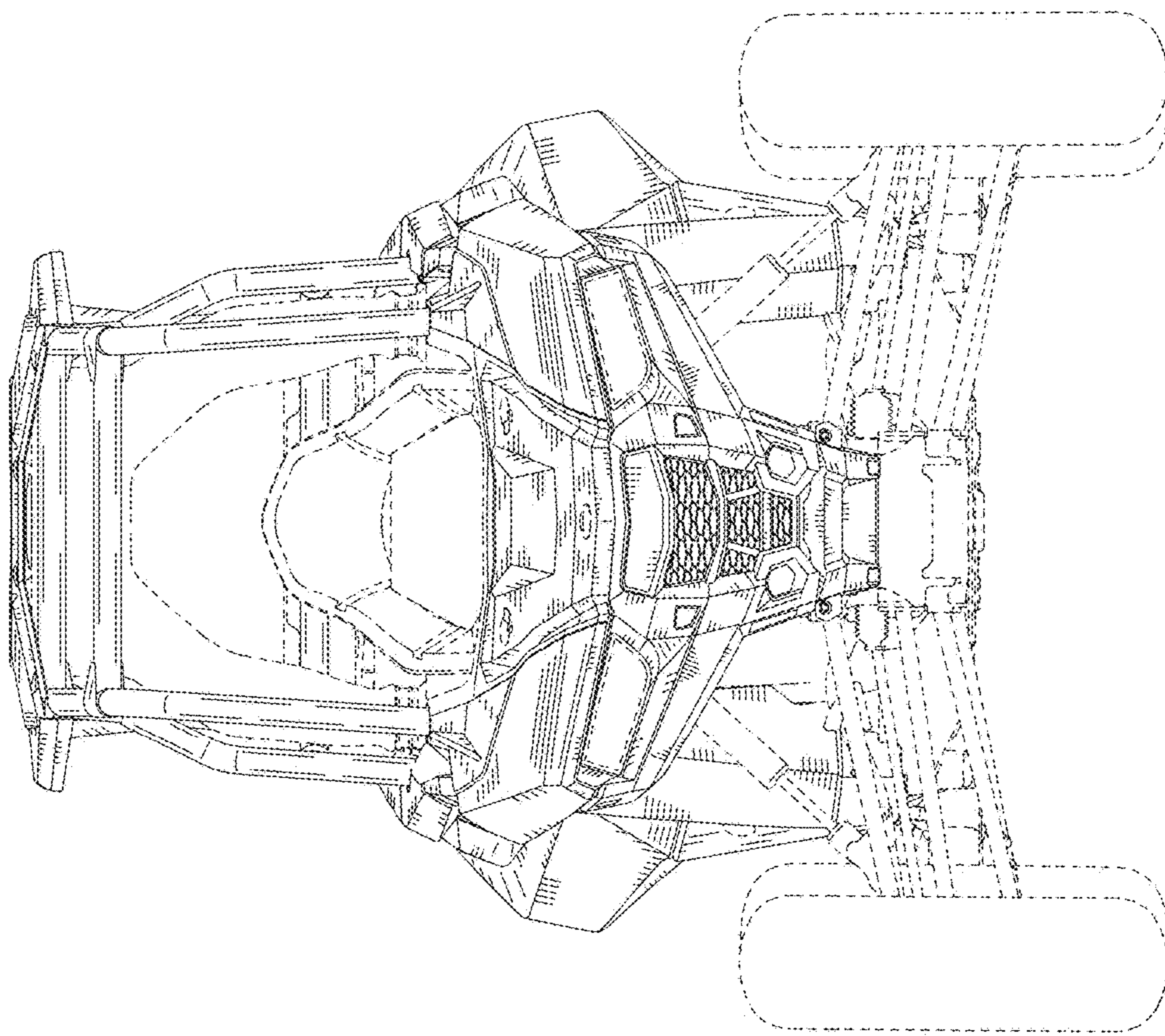


Fig. 6



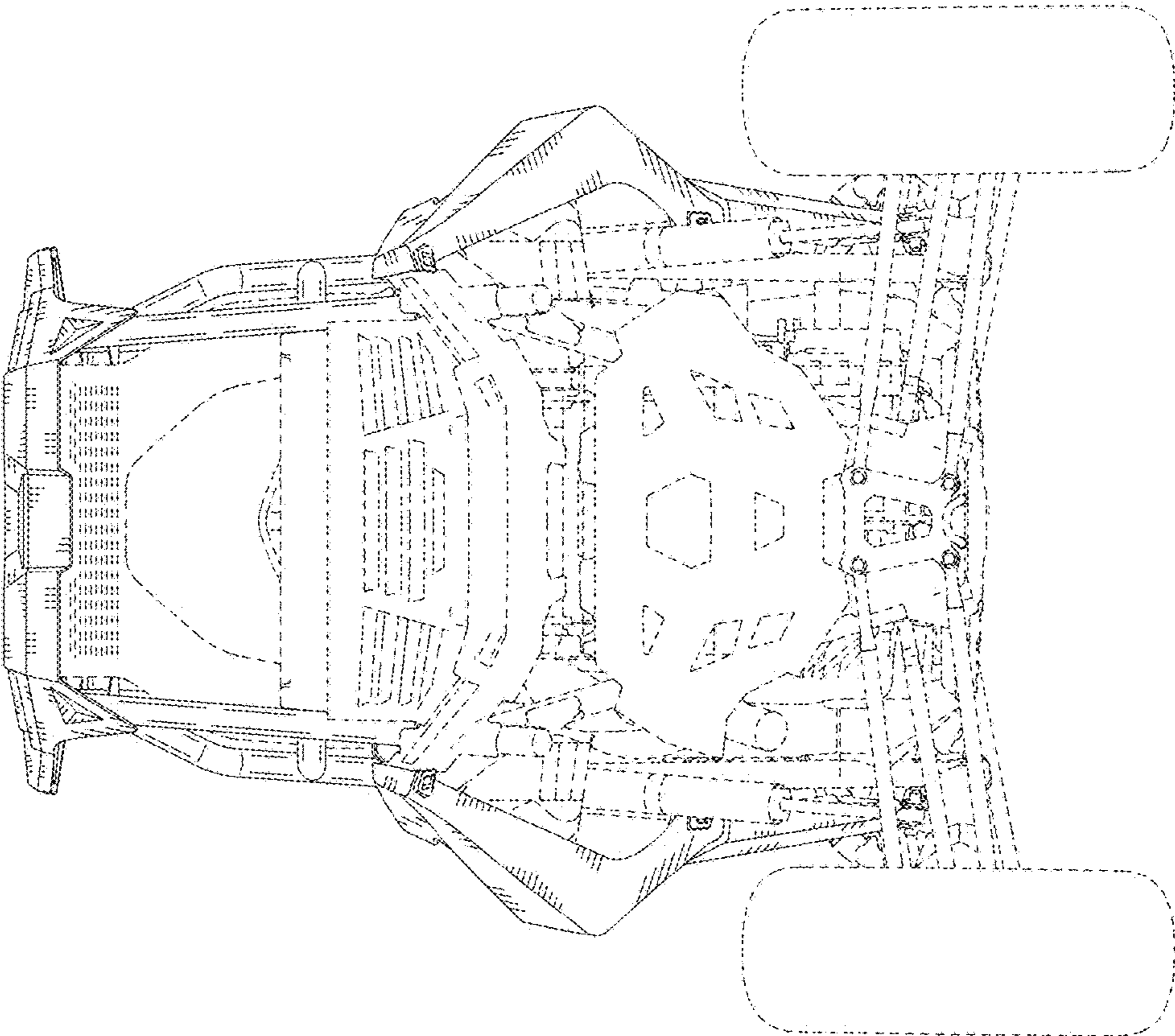


Fig. 7