



US00D835544S

(12) **United States Design Patent** (10) **Patent No.:** **US D835,544 S**
Liu (45) **Date of Patent:** **** Dec. 11, 2018**

(54) **BALANCE SCOOTER**
(71) Applicant: **NINEBOT(BEIJING)TECH. CO., LTD**, Beijing (CN)
(72) Inventor: **Xiaoying Liu**, Beijing (CN)
(73) Assignee: **Ninebot (Beijing) Tech. Co., Ltd**, Beijing (CN)
(**) Term: **15 Years**

D489,027 S 4/2004 Waters
D493,128 S 7/2004 Waters et al.
D494,099 S 8/2004 Maurer et al.
6,907,949 B1 6/2005 Wang
D507,206 S 7/2005 Wang
D528,468 S 9/2006 Arling
7,192,040 B2 3/2007 Xie
D549,756 S 8/2007 Park
D551,592 S 9/2007 Chang et al.
D551,722 S 9/2007 Chang et al.
D563,443 S 3/2008 Ahn

(Continued)

(21) Appl. No.: **35/503,750**

FOREIGN PATENT DOCUMENTS

(22) Filed: **Jul. 20, 2017**

CN 302908898 S 8/2014
CN 303541333 S 1/2016

(80) **Hague Agreement Data**

(Continued)

Int. Filing Date: **Jul. 20, 2017**
Int. Reg. No.: **DM/097802**
Int. Reg. Date: **Jul. 20, 2017**
Int. Reg. Pub. Date: **Oct. 6, 2017**

OTHER PUBLICATIONS

Design U.S. Appl. No. 35/501,473, filed May 12, 2016.
Design U.S. Appl. No. 35/503,123, filed Feb. 28, 2017.
Design U.S. Appl. No. 35/503,620, filed May 19, 2017.

(30) **Foreign Application Priority Data**

Jul. 19, 2017 (CN) 2017 3 0321180

Primary Examiner — George D. Kirschbaum

Assistant Examiner — Joseph J Kukella

(51) **LOC (11) Cl.** **12-11**

(74) *Attorney, Agent, or Firm* — Margaret Polson; Polson Intellectual Property Law, PC

(52) **U.S. Cl.**

USPC **D12/1**

(58) **Field of Classification Search**

(57) **CLAIM**

USPC D12/1, 107, 109, 111–113
CPC ... B62K 9/00; B62K 3/00; B62K 3/02; B62K 3/04; B62K 3/06; B62K 3/08; B62K 3/10; B62K 11/00; B62K 11/007; B62B 7/00; B62B 7/006; B62B 7/04; B62B 7/06; B62B 7/10; B62B 7/14; B62B 7/145; B62D 51/00; B62D 51/001; B62D 51/02

The ornamental design for a balance scooter, as shown and described.

See application file for complete search history.

DESCRIPTION

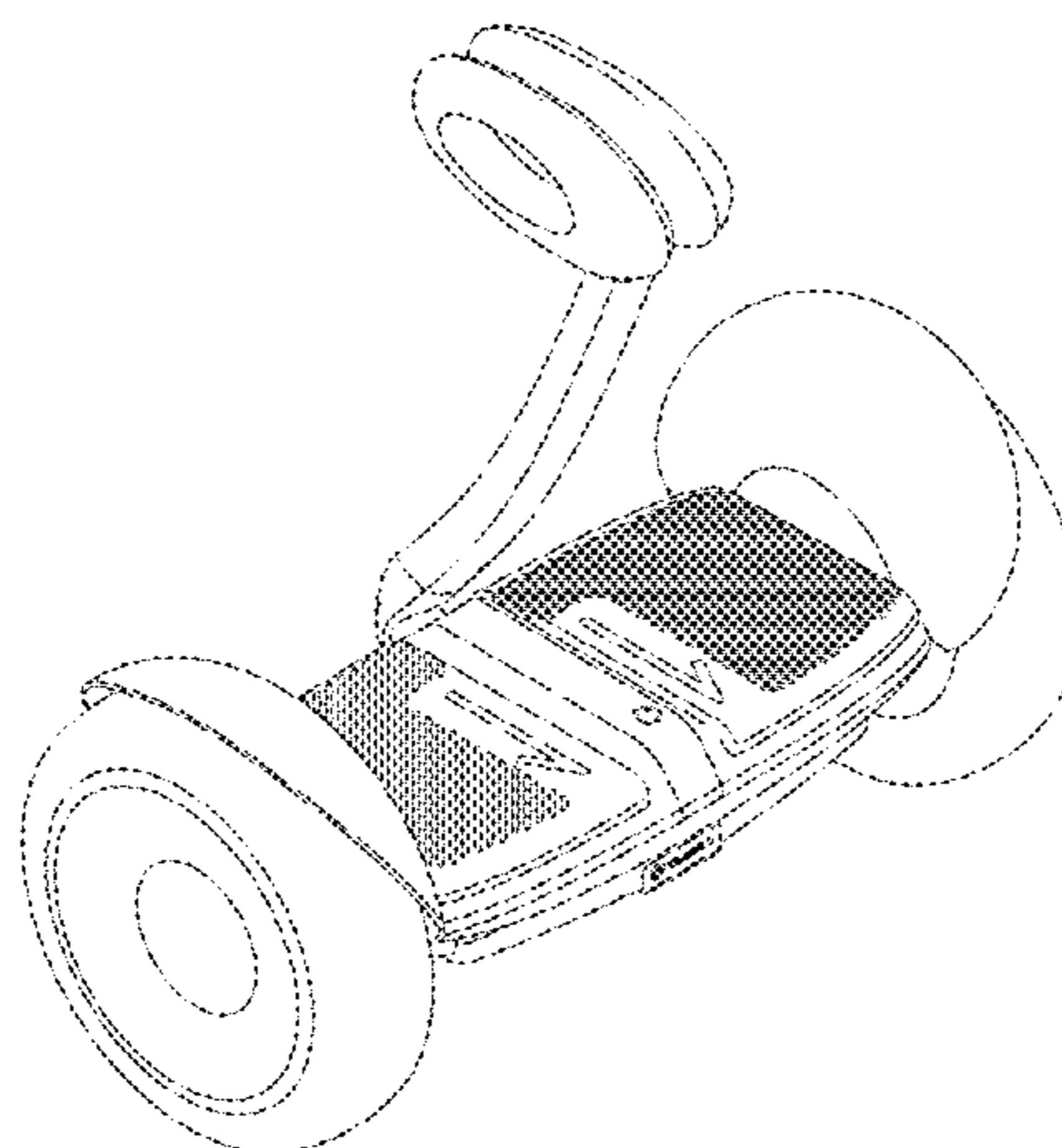
(56) **References Cited**

U.S. PATENT DOCUMENTS

D355,148 S 2/1995 Orsolini
6,561,294 B1 5/2003 Kamen et al.

- 1. Balance scooter
- 1.1 : Front
- 1.2 : Back
- 1.3 : Left
- 1.4 : Right
- 1.5 : Top
- 1.6 : Bottom
- 1.7 : Perspective

1 Claim, 7 Drawing Sheets



(56)

References Cited

U.S. PATENT DOCUMENTS

D569,308 S 5/2008 Bergeron et al.
 D579,035 S 10/2008 Kim
 D587,173 S 2/2009 Laymaster
 D594,492 S 6/2009 Stratton et al.
 D601,922 S 10/2009 Imai et al.
 7,703,568 B2* 4/2010 Ishii A63C 17/12
 180/218
 7,784,206 B2* 8/2010 Trainer G09F 15/0087
 280/211
 D626,031 S 10/2010 Doran
 8,201,653 B2 6/2012 Strassman
 D699,626 S 2/2014 Nam
 8,800,697 B2 8/2014 Hoffmann et al.
 D725,166 S 3/2015 Paik
 D726,836 S 4/2015 Song
 9,085,334 B2 7/2015 Hoffmann et al.
 D735,608 S 8/2015 Cao et al.
 D739,307 S 9/2015 Hoffmann et al.
 D743,843 S 11/2015 Guo et al.
 9,188,984 B2 11/2015 Kamen et al.
 D748,533 S 2/2016 Collins et al.
 D774,600 S 12/2016 Tao
 D774,940 S 12/2016 de la Gandara
 9,545,963 B2 1/2017 Kamen et al.
 9,598,136 B1 3/2017 Kim
 9,611,004 B2 4/2017 Hoffmann et al.
 D788,639 S 6/2017 Constin

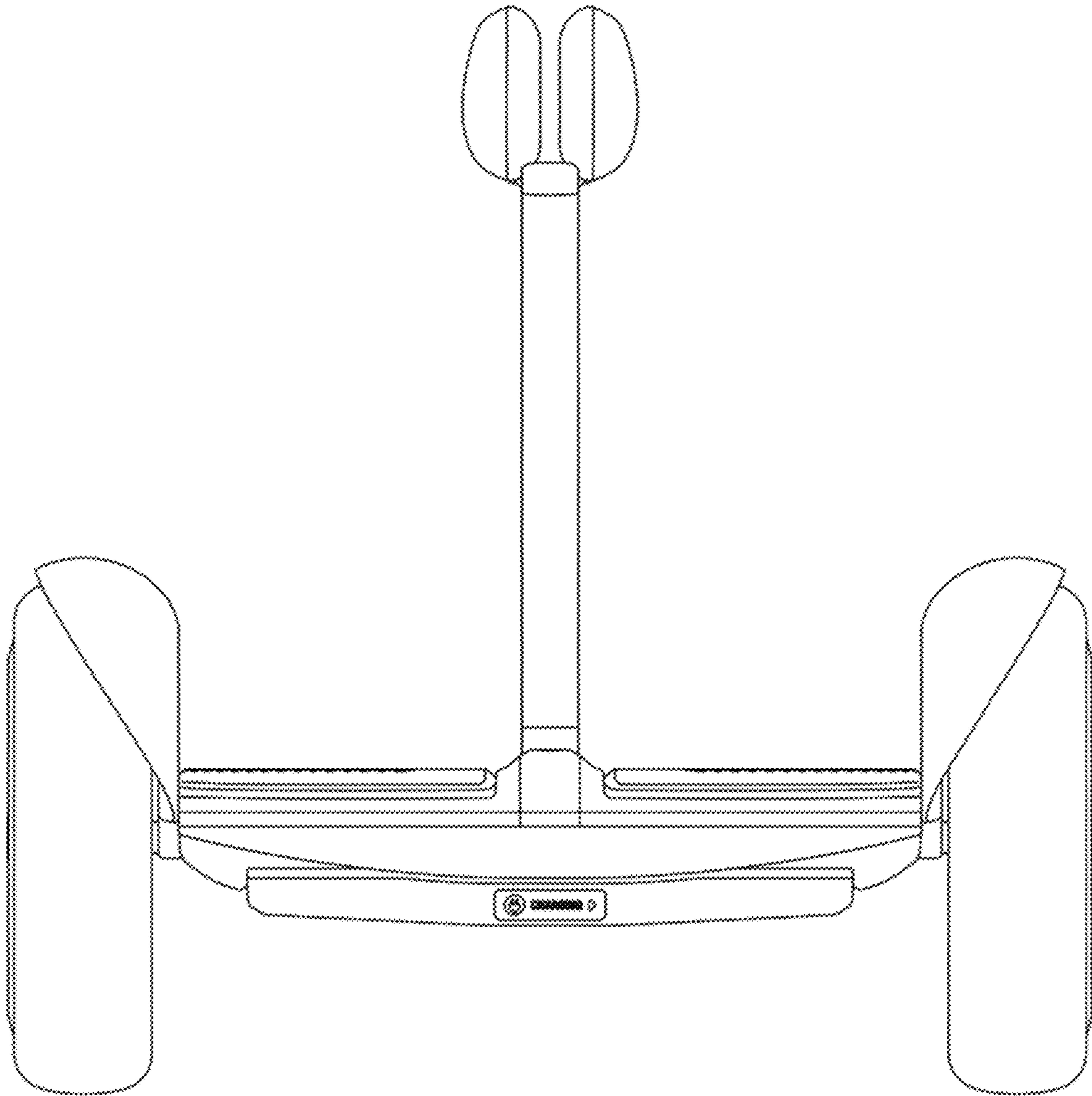
D792,715 S 7/2017 Liu et al.
 D793,107 S 8/2017 Liu et al.
 D793,905 S 8/2017 Liu et al.
 D794,345 S 8/2017 Liu et al.
 D795,134 S * 8/2017 Liu D12/1
 D806,177 S * 12/2017 Liu B62D 61/00
 D21/423
 D810,167 S 2/2018 Yang
 D810,800 S 2/2018 Wang
 D811,458 S 2/2018 Wang
 D812,694 S 3/2018 Nissen
 9,919,762 B2 3/2018 Kim
 D816,119 S 4/2018 Pu
 D816,778 S 5/2018 Yang
 D820,157 S * 6/2018 Chen D12/1
 2005/0134014 A1 6/2005 Xie
 2006/0202439 A1* 9/2006 Kahlert B62D 61/00
 280/47.24

FOREIGN PATENT DOCUMENTS

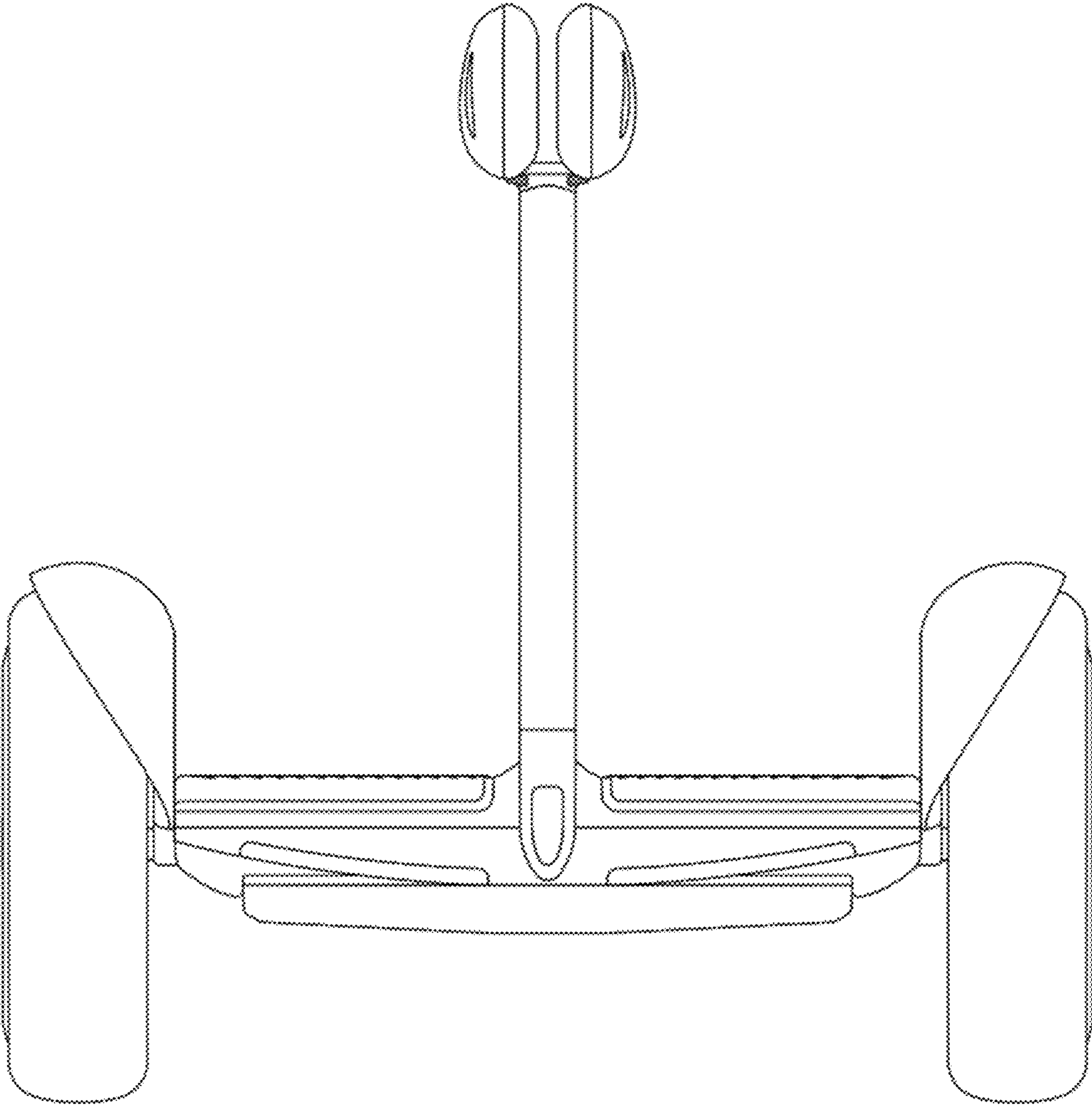
CN 303578493 S 2/2016
 CN 303590654 S 2/2016
 CN 303647045 S 4/2016
 CN 303754724 S 7/2016
 CN 303754725 S 7/2016
 CN 303754756 S 7/2016
 CN 303804691 S 8/2016
 WO DM090011 4/2016

* cited by examiner

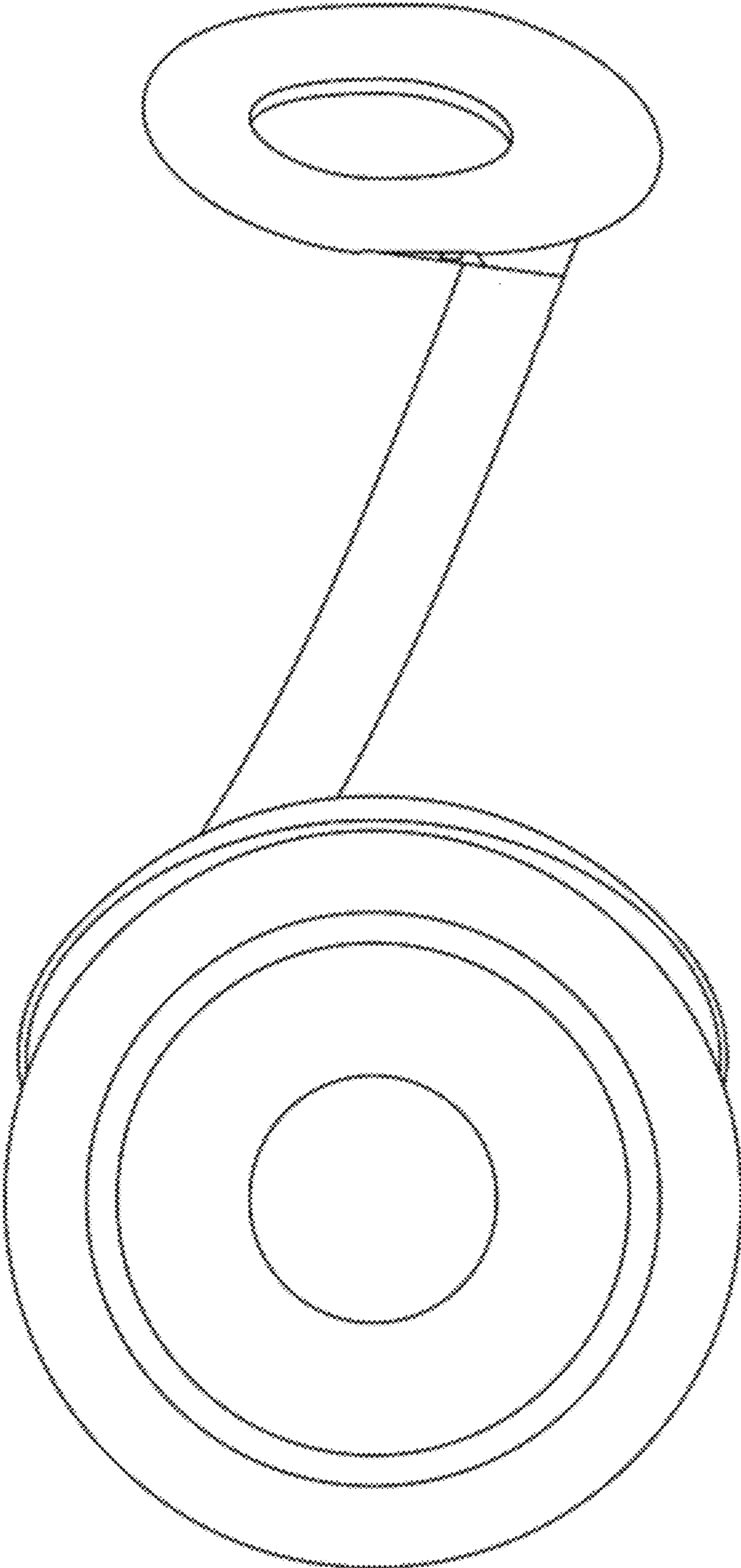
1.1



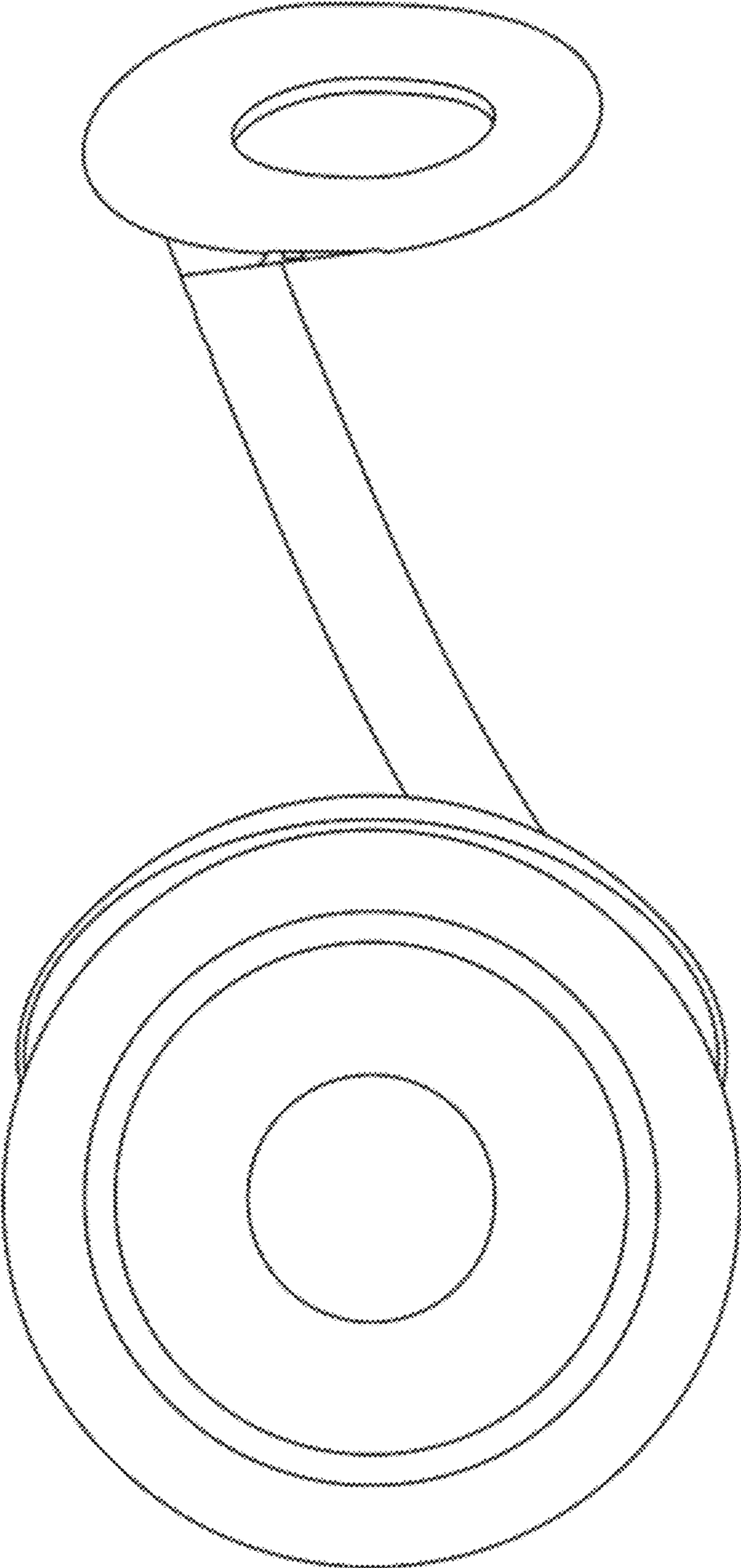
1.2



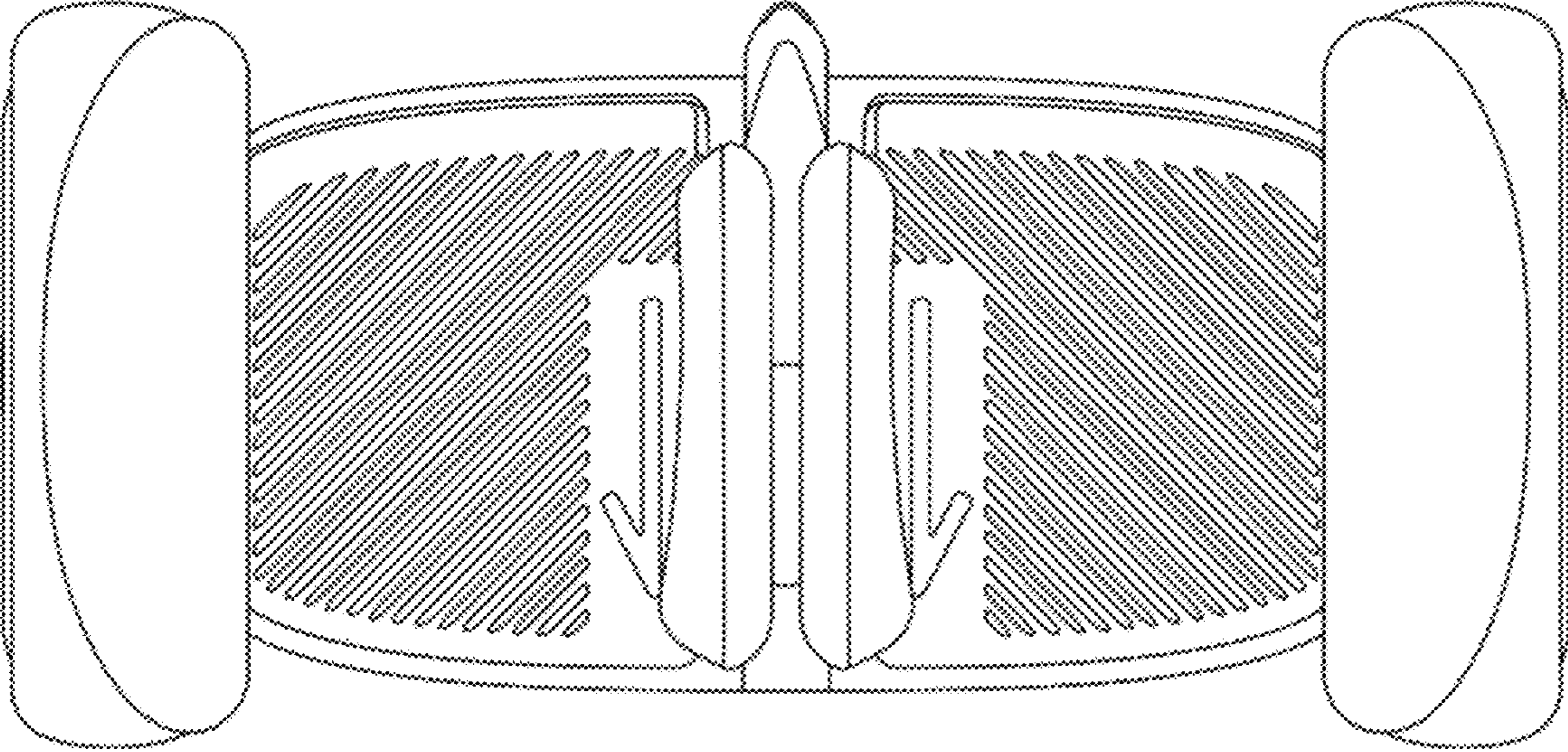
1.3



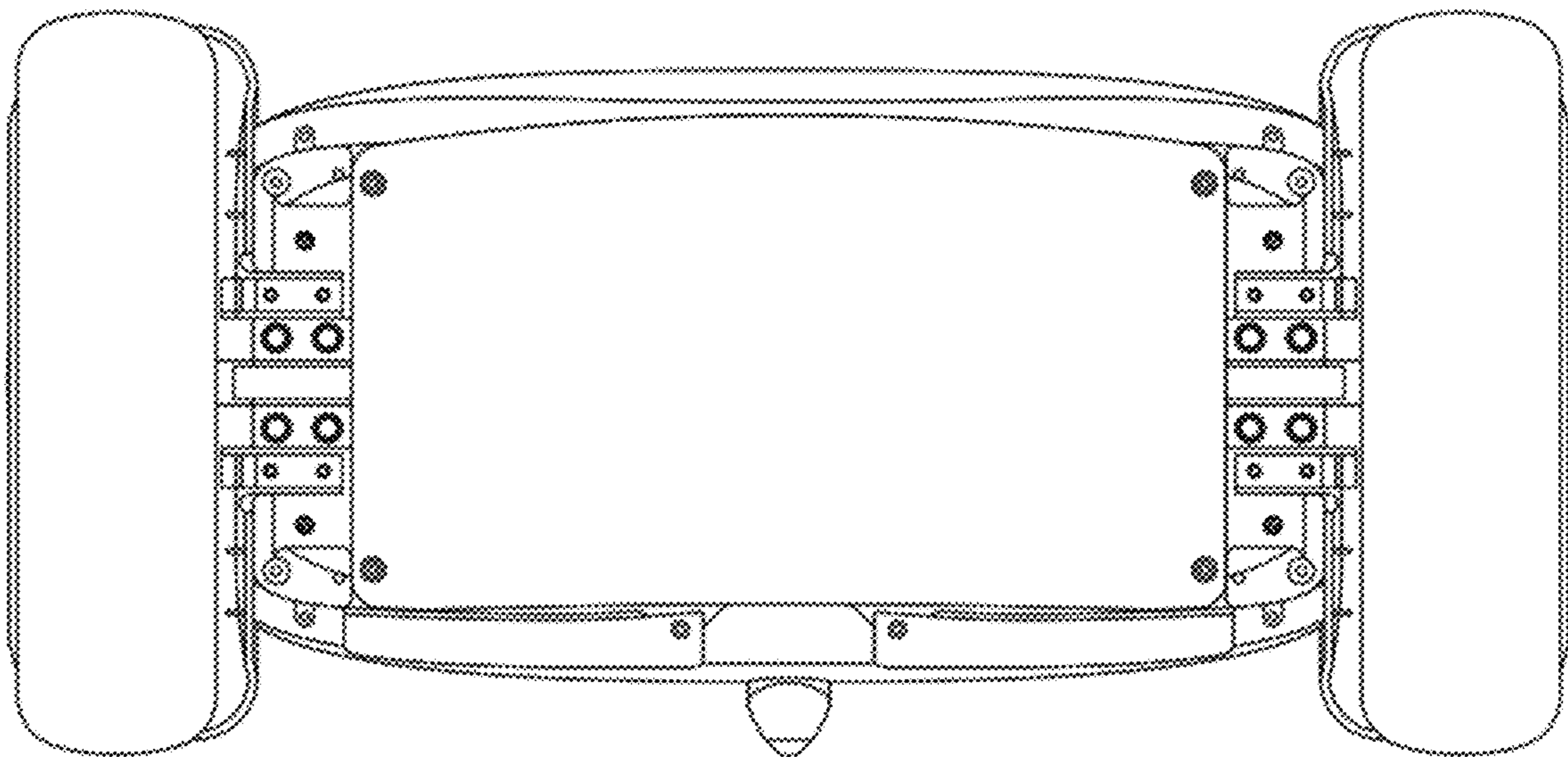
1.4



1.5



1.6



1.7

