



US00D835542S

(12) **United States Design Patent**
Lybarger et al.

(10) **Patent No.:** **US D835,542 S**

(45) **Date of Patent:** **** Dec. 11, 2018**

- (54) **BILL CLIP**
- (71) Applicants: **Kevin Lybarger**, Richards, TX (US);
Susan Lybarger, Richards, TX (US)
- (72) Inventors: **Kevin Lybarger**, Richards, TX (US);
Susan Lybarger, Richards, TX (US)
- (**) Term: **15 Years**
- (21) Appl. No.: **29/631,510**
- (22) Filed: **Dec. 29, 2017**
- (51) **LOC (11) Cl.** **11-01**
- (52) **U.S. Cl.**
USPC **D11/78.1**
- (58) **Field of Classification Search**
USPC D11/200–220, 78.1, 222; D20/22;
D3/215, 247, 249; D8/394, 395; 24/60,
24/455, 485, 563, 564, 72.1, 49.1, 52,
24/166.4, 66.13, 56.3, 67 R, 67.3, 67.5,
24/67.9; D2/609, 639; 2/232; D32/61
CPC A44B 6/00; A44B 21/00; A44B 9/12
See application file for complete search history.

- 3,365,755 A * 1/1968 Vastano A44B 6/00
24/66.8
- 3,793,681 A * 2/1974 Casstevens, Jr. A44B 6/00
2/145
- D290,971 S * 7/1987 Quilty D11/78.1
- D330,688 S * 11/1992 Haines D11/202
- 5,452,500 A * 9/1995 Revis A44B 99/00
24/499
- D383,701 S * 9/1997 Fletcher D11/78.1
- 5,940,944 A * 8/1999 Anscher A44B 99/00
24/16 PB
- D505,355 S * 5/2005 Elnekaveh D11/78.1
- 7,047,601 B1 * 5/2006 Vernon-Woods A45F 5/02
24/3.12
- D525,162 S * 7/2006 Suman D11/78.1
- D717,197 S * 11/2014 Kinskey D11/78.1

* cited by examiner

Primary Examiner — Ralf Seifert

(74) *Attorney, Agent, or Firm* — Buskop Law Group,
P.C.; Wendy Buskop

(57) **CLAIM**

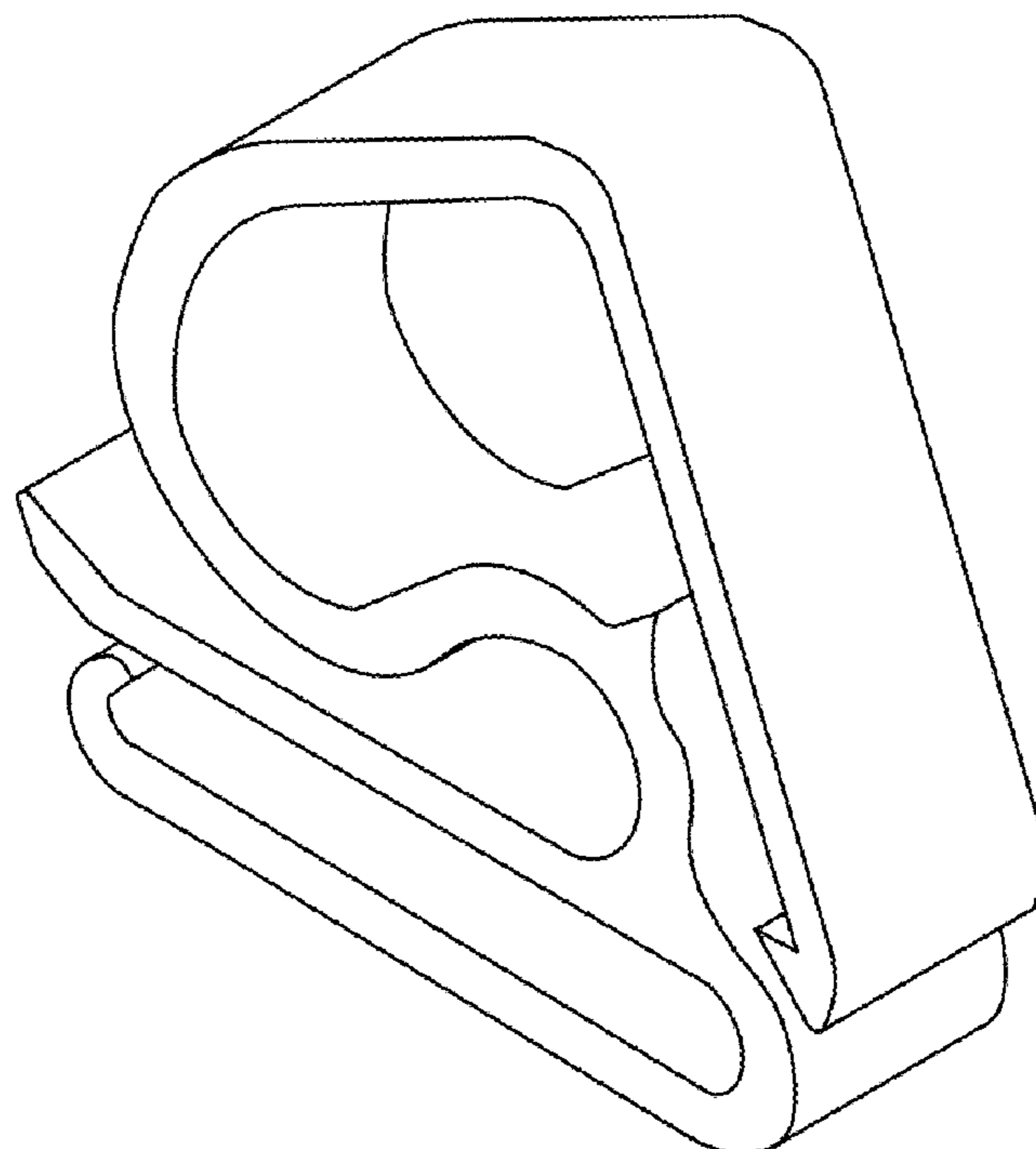
The ornamental design for a bill clip, as shown and described.

DESCRIPTION

- FIG. 1 is an isometric view of the bill clip.
- FIG. 2 is a perspective view of the top of the bill clip.
- FIG. 3 is a side view of the bill clip.
- FIG. 4 is a front view of the bill clip.
- FIG. 5 is a side view of the bill clip; and,
- FIG. 6 is a perspective view of the bottom of the bill clip.

1 Claim, 1 Drawing Sheet

- (56) **References Cited**
U.S. PATENT DOCUMENTS
1,223,425 A * 4/1917 Savage A44B 6/00
24/337
D170,796 S * 11/1953 Del Mas D11/78.1
3,001,258 A * 9/1961 Anderson A44B 6/00
132/277



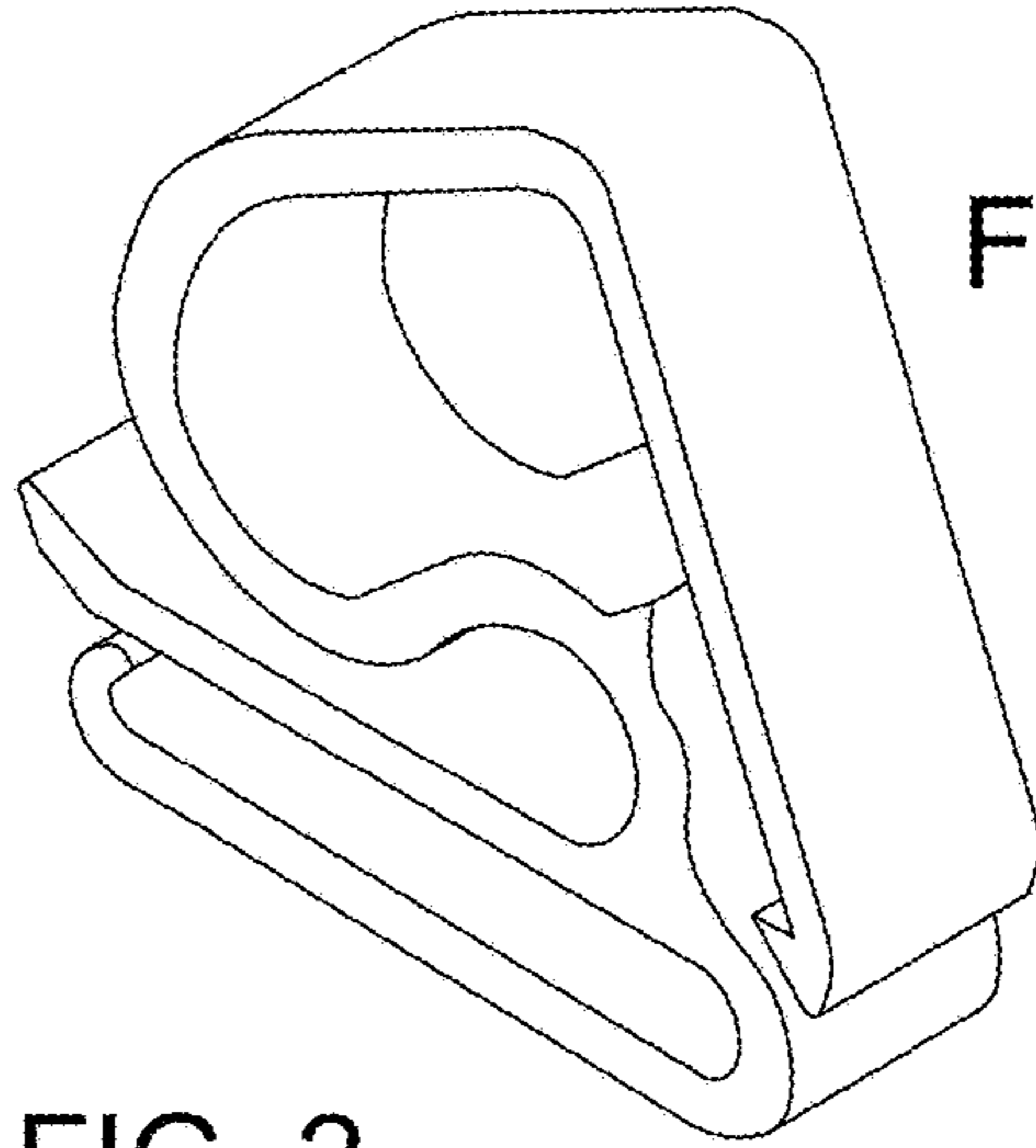


FIG. 1

FIG. 2



FIG. 3

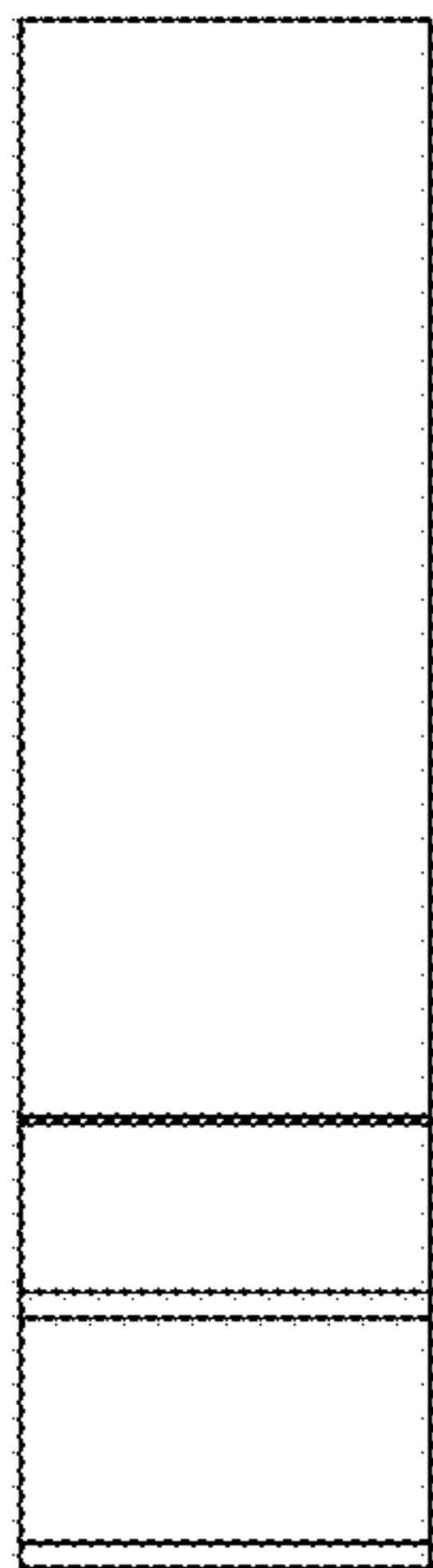


FIG. 4

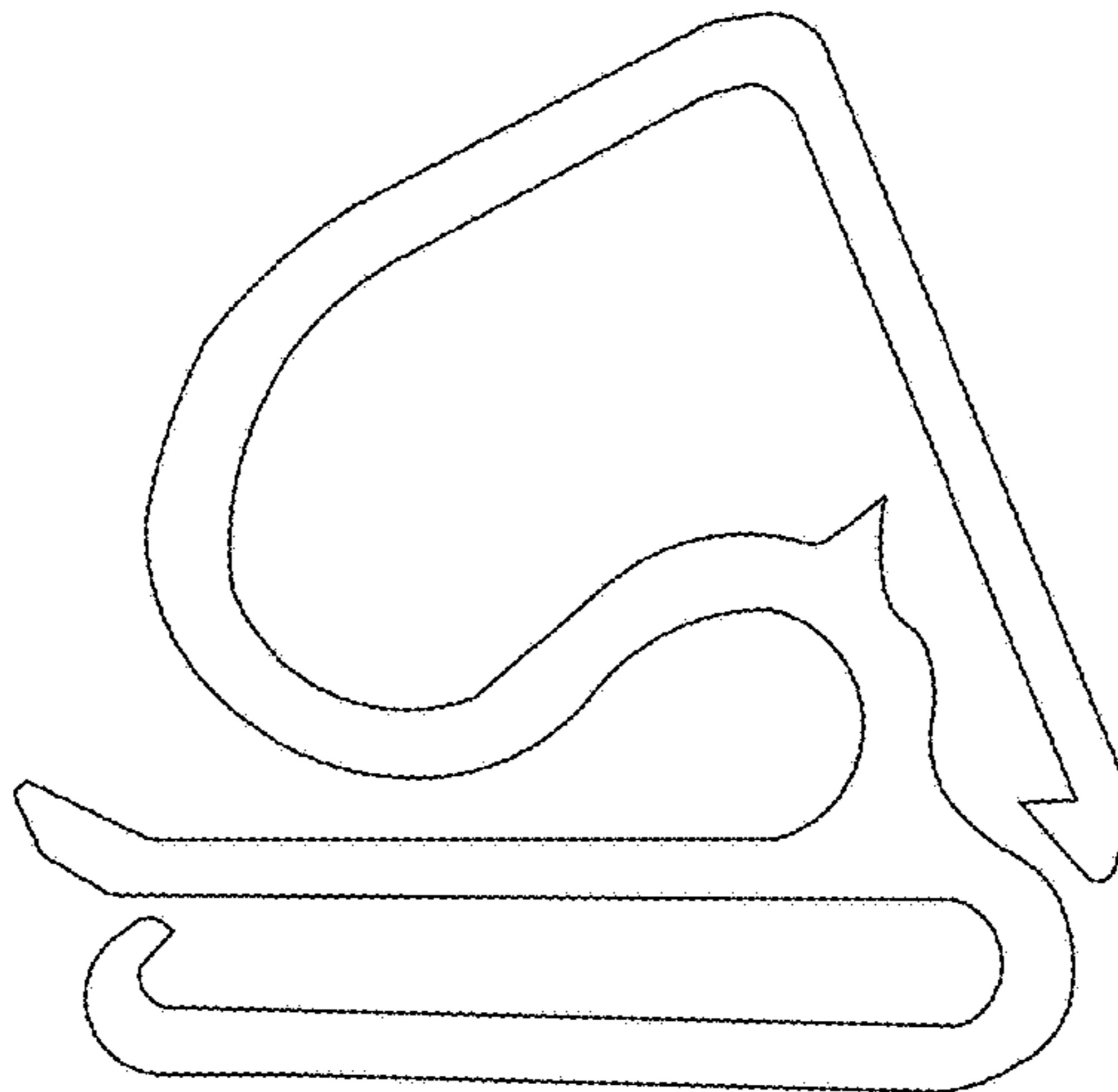


FIG. 5



FIG. 6

