



US00D835541S

(12) **United States Design Patent** (10) **Patent No.:** **US D835,541 S**  
**Silvestri** (45) **Date of Patent:** **\*\* Dec. 11, 2018**

(54) **ARTICLE OF JEWELRY**

(71) Applicant: **Bulgari S.p.A.**, Rome (IT)

(72) Inventor: **Lucia Silvestri**, Rome (IT)

(73) Assignee: **Bulgari S.p.A.**, Rome (IT)

(\*\*) Term: **15 Years**

(21) Appl. No.: **29/629,861**

(22) Filed: **Dec. 15, 2017**

**Related U.S. Application Data**

(62) Division of application No. 29/572,936, filed on Aug. 1, 2016.

(51) **LOC (11) Cl.** ..... **11-01**

(52) **U.S. Cl.**  
USPC ..... **D11/49**

(58) **Field of Classification Search**  
USPC ..... D11/1-43, 47, 77-80, 85, 86, 89-92;  
D3/243

CPC ..... A44C 1/00; A44C 5/00; A44C 5/0007;  
A44C 5/0015; A44C 5/0023; A44C  
5/003; A44C 5/0084; A44C 5/0092; A44C  
7/00; A44C 7/001; A44C 7/002; A44C  
7/003; A44C 7/004; A44C 7/005; A44C  
9/00; A44C 9/0038; A44C 9/0046; A44C  
9/0053; A44C 9/0061; A44C 9/0069;  
A44C 9/0084; A44C 9/02; A44C 13/00  
See application file for complete search history.

(56) **References Cited**

**U.S. PATENT DOCUMENTS**

D66,249 S \* 12/1924 Stoll ..... D11/80  
2,266,942 A \* 12/1941 Wallace ..... A44C 5/0046  
D11/5  
D342,916 S \* 1/1994 Giralt ..... D11/26  
D364,832 S \* 12/1995 Hou ..... D11/4

D412,457 S \* 8/1999 Perrin ..... D11/26  
D441,005 S \* 4/2001 Parham, Jr. .... D17/20  
D498,169 S \* 11/2004 Pinto ..... D11/79  
D510,540 S \* 10/2005 Pinto ..... D11/79  
D583,274 S \* 12/2008 Steshik ..... D11/91  
D606,886 S \* 12/2009 Bulgari ..... D10/32  
D606,894 S \* 12/2009 Bulgari ..... D11/5  
D628,092 S \* 11/2010 Bulgari ..... D10/34  
D657,708 S \* 4/2012 Guerrero, II ..... D11/81  
D658,529 S \* 5/2012 Papadimitriou ..... D11/40  
D660,193 S \* 5/2012 Neuner ..... D11/26  
D763,118 S \* 8/2016 Modi ..... D11/89  
D771,262 S \* 11/2016 Lee ..... D11/3  
D773,952 S \* 12/2016 Traglio ..... D11/3  
D774,301 S \* 12/2016 Bulgari ..... D3/243  
D779,999 S \* 2/2017 Bulgari ..... D11/5  
D780,035 S \* 2/2017 Bulgari ..... D11/42  
D780,036 S \* 2/2017 Silvestri ..... D11/42  
D781,567 S \* 3/2017 Silverman ..... D2/976

(Continued)

*Primary Examiner* — Cynthia Ramirez

*Assistant Examiner* — Llorellys Martinez-Rivera

(74) *Attorney, Agent, or Firm* — Stephen J. Kenny; Peter A. Sullivan; Foley Hoag LLP

(57) **CLAIM**

The ornamental design for an article of jewelry, as shown and described.

**DESCRIPTION**

FIG. 1 is a perspective view of an article of jewelry showing my new design.

FIG. 2 is a front view thereof.

FIG. 3 is a back view thereof.

FIG. 4 is a left view thereof.

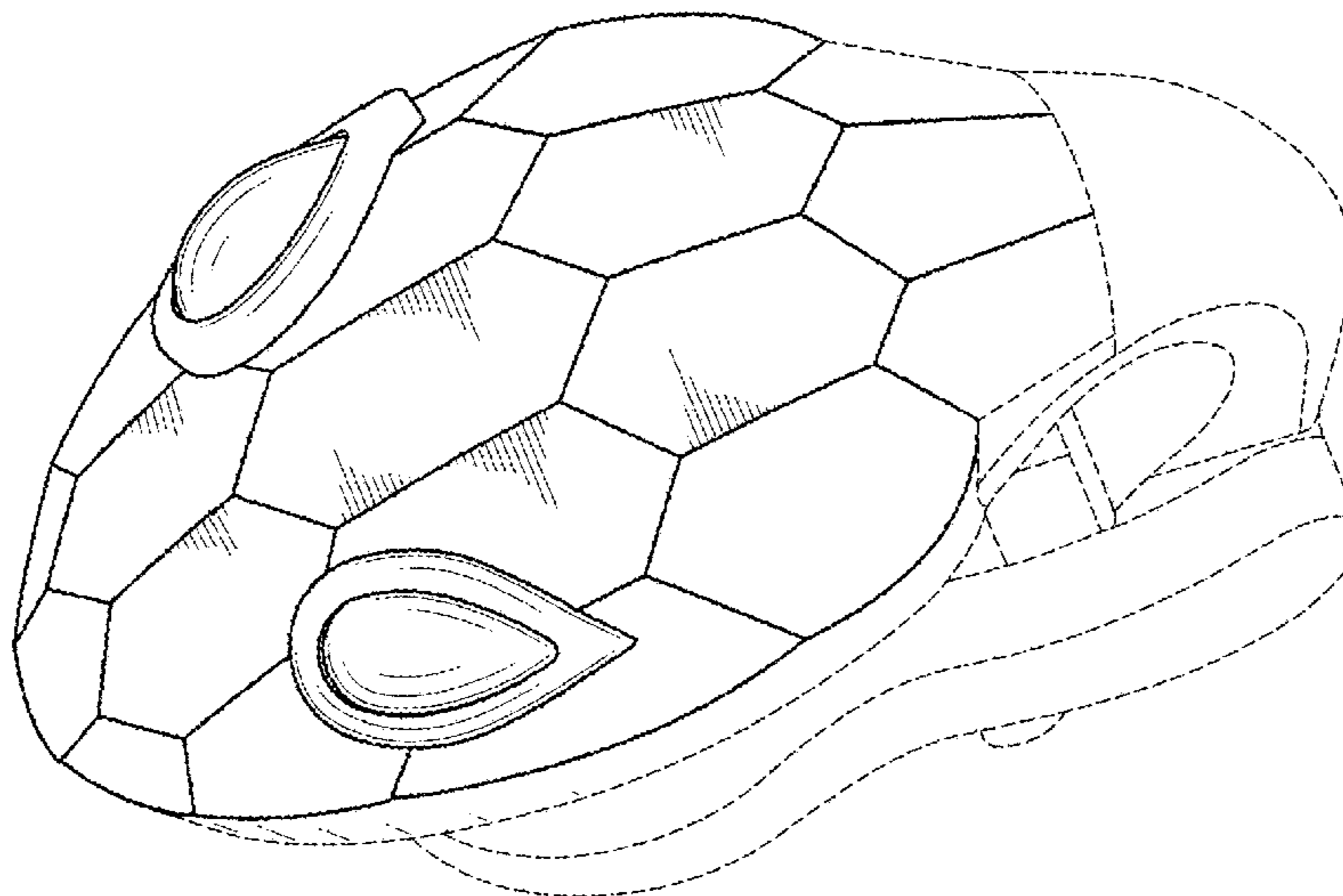
FIG. 5 is a right view thereof.

FIG. 6 is a top view thereof; and,

FIG. 7 is a bottom view thereof.

The broken lines in the drawings illustrate portions of the Article of Jewelry that form no part of the claimed design.

**1 Claim, 7 Drawing Sheets**



(56)

**References Cited**

U.S. PATENT DOCUMENTS

D793,723 S \* 8/2017 Lopez Montoya ..... D3/243  
D811,258 S \* 2/2018 Buonamassa Stigliani ..... D11/5

\* cited by examiner

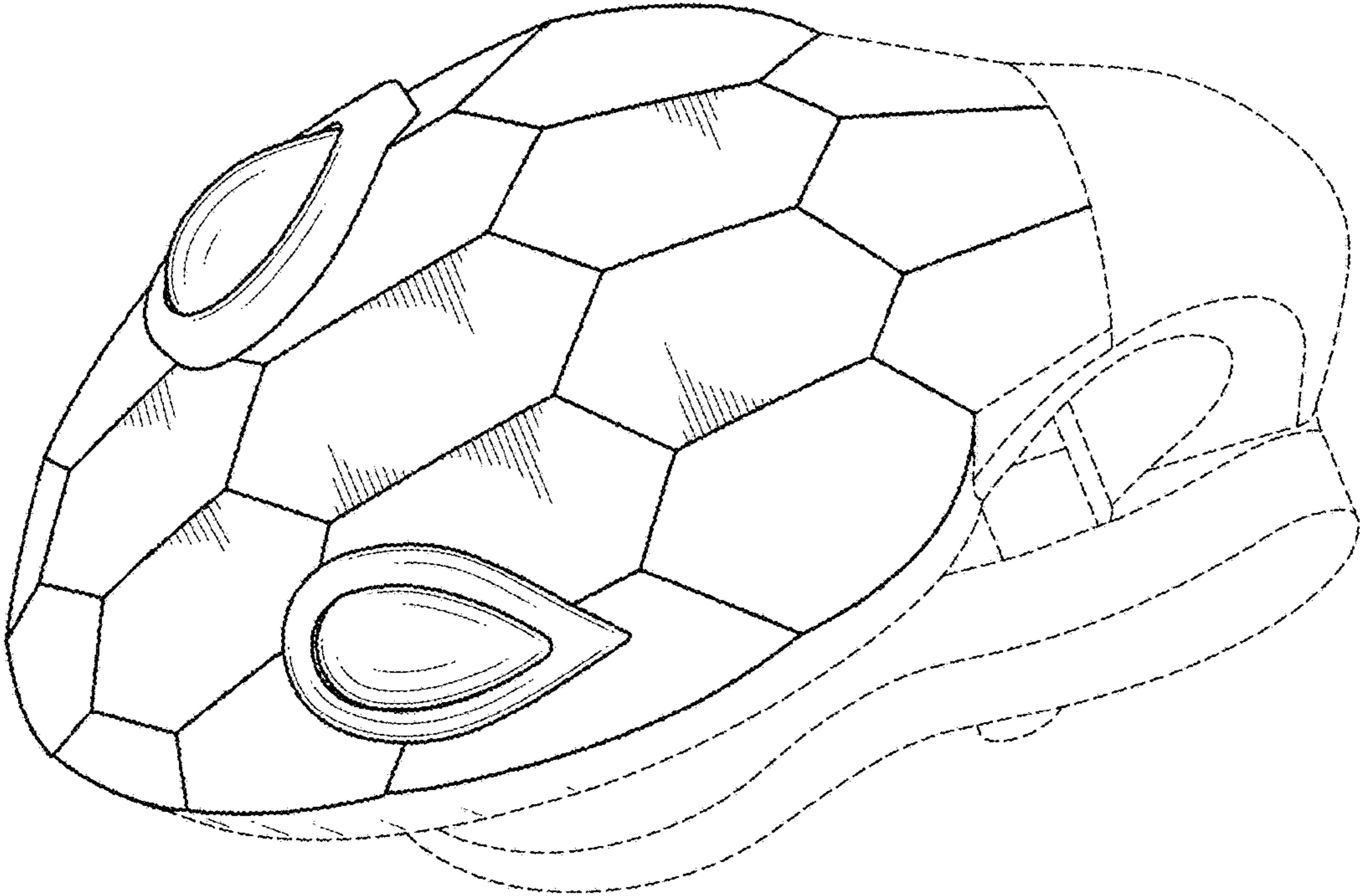


FIG. 1

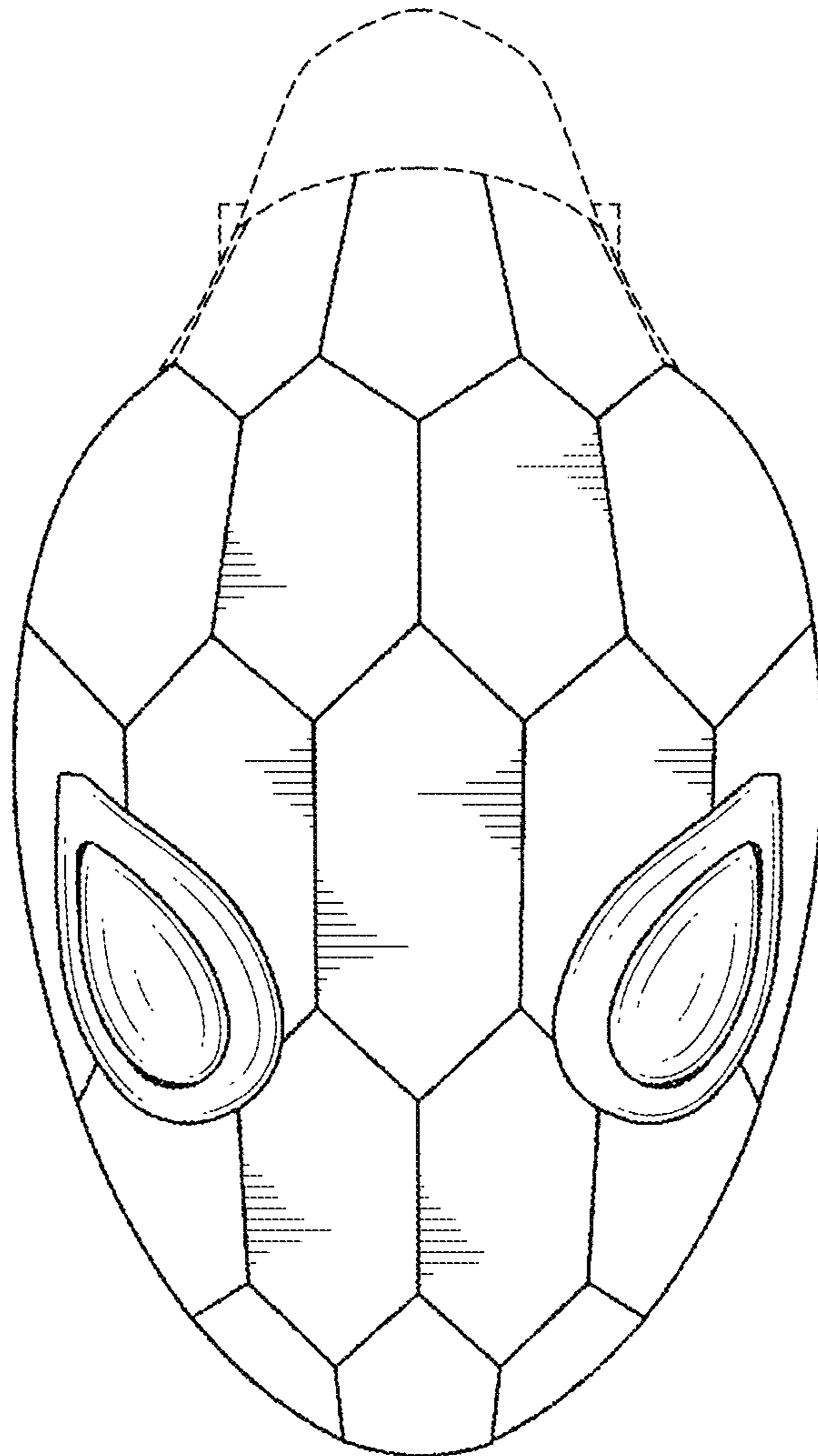


FIG. 2

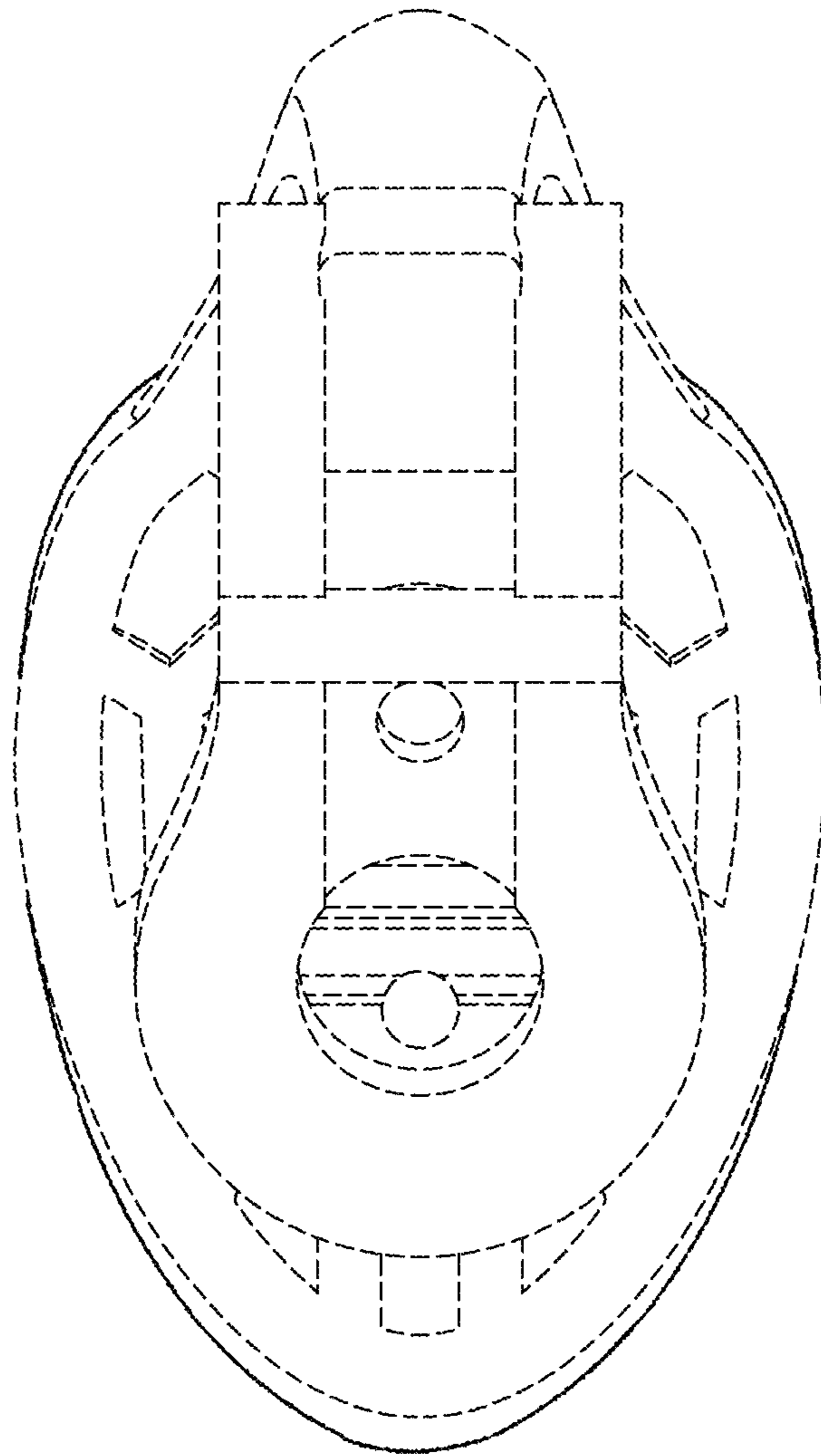


FIG. 3

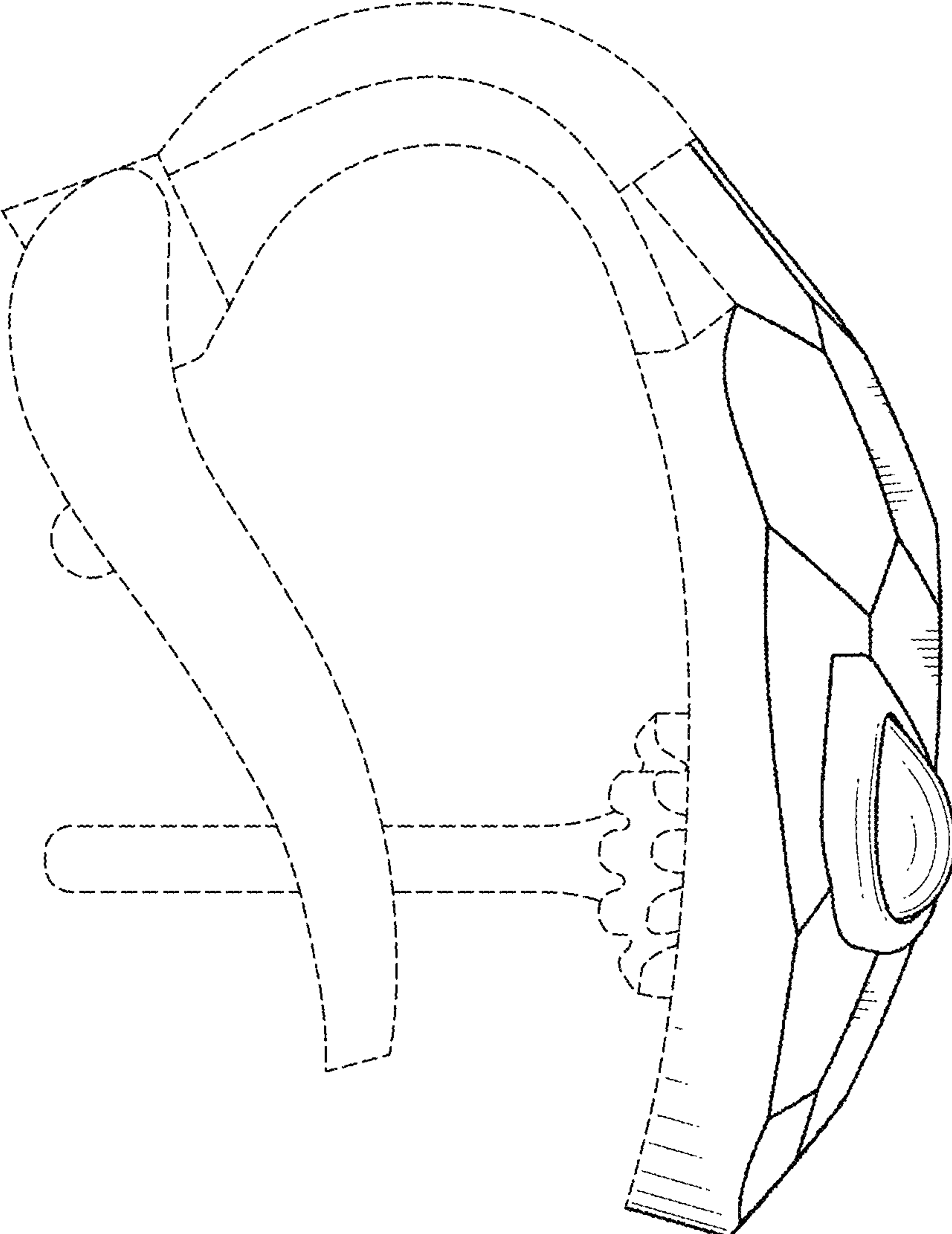


FIG. 4

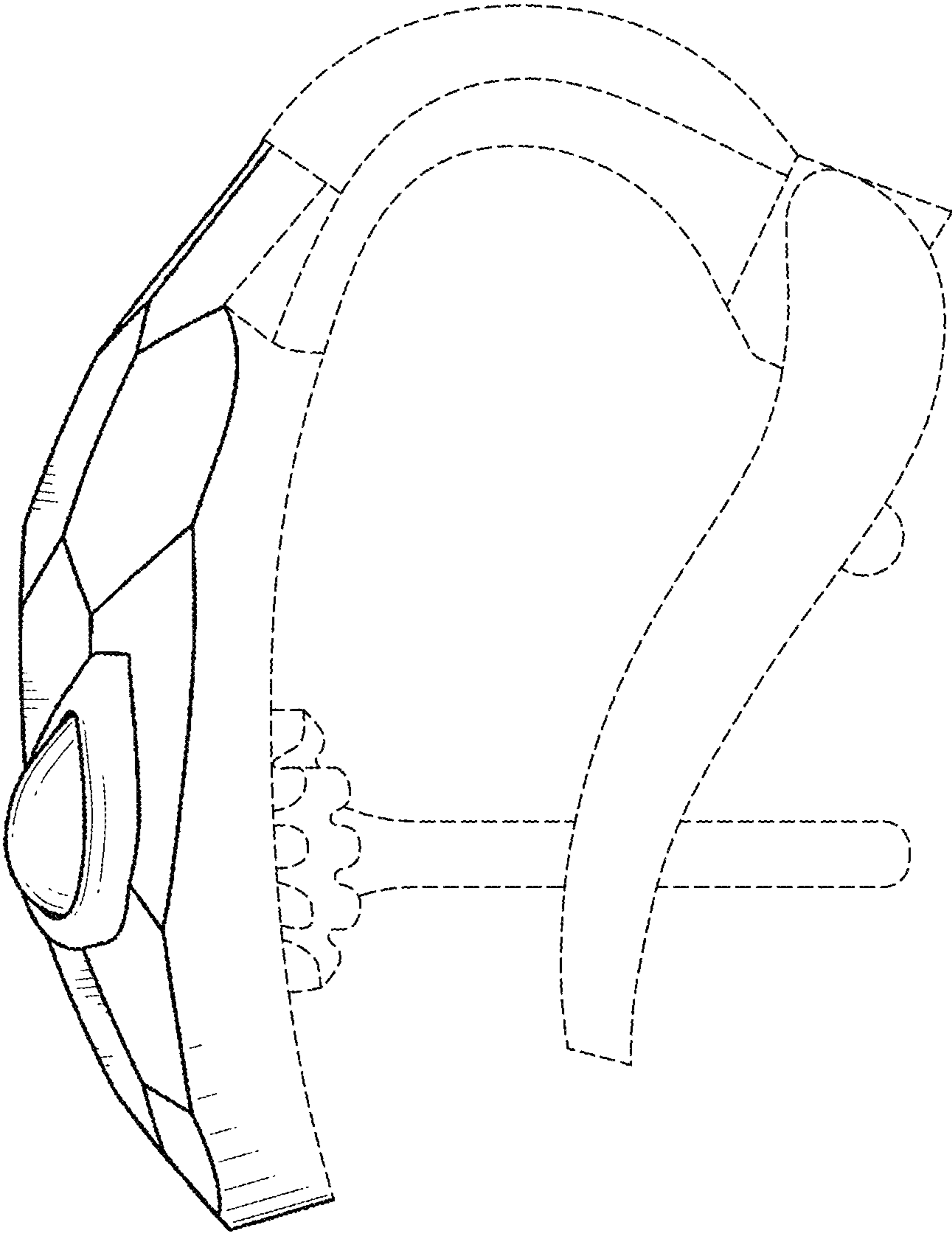


FIG. 5

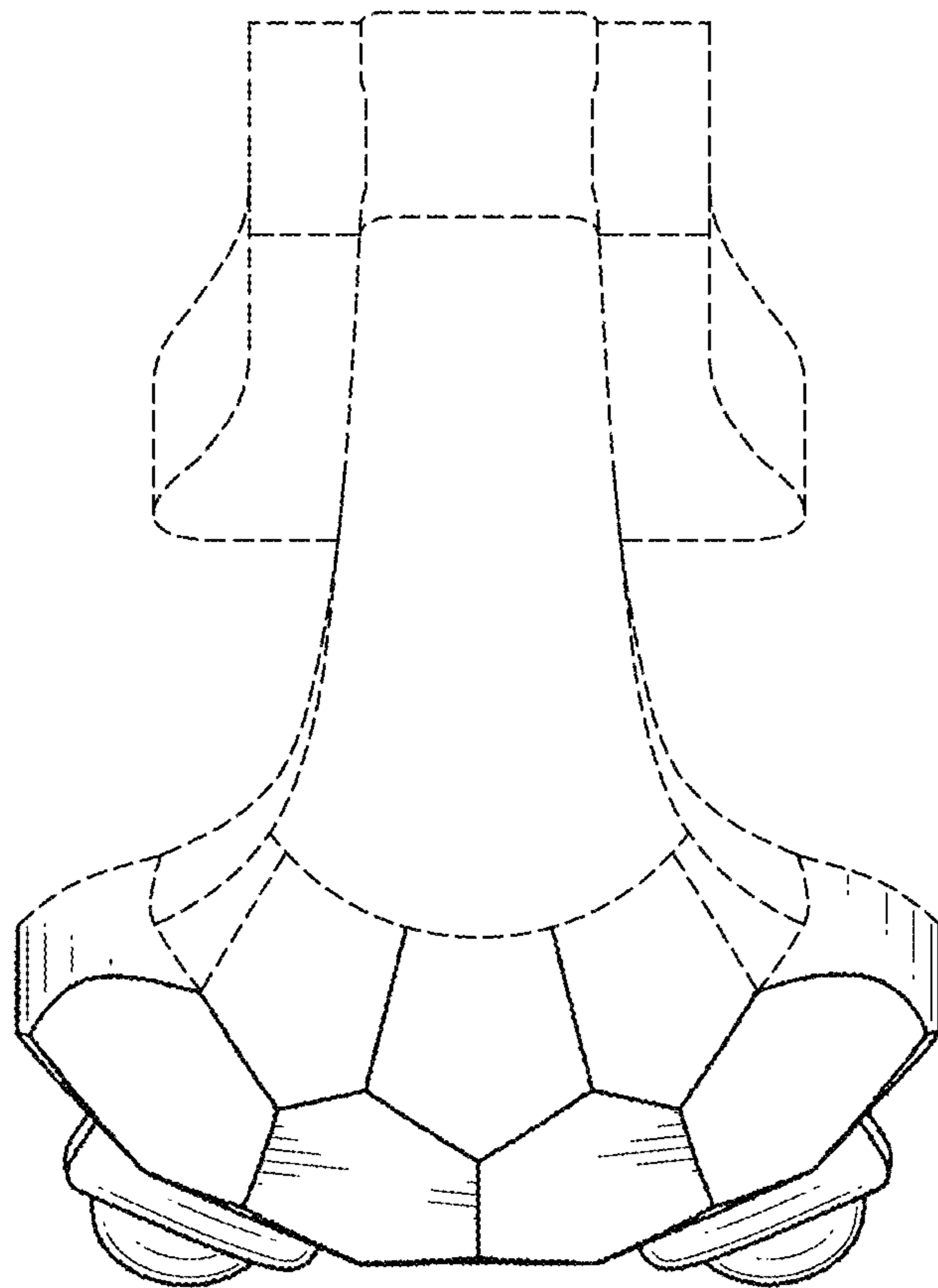


FIG. 6



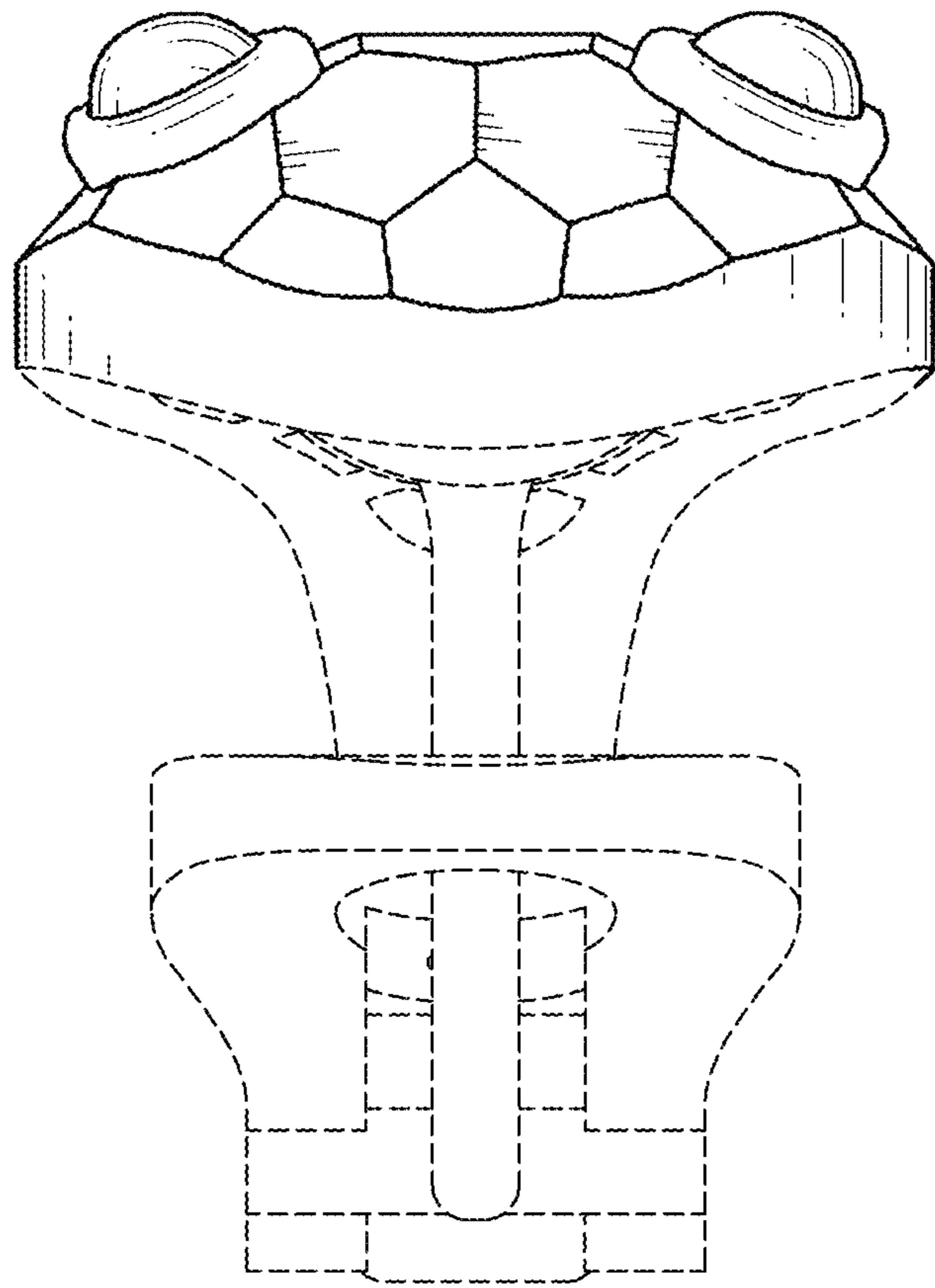


FIG. 7