



US00D835538S

(12) **United States Design Patent** (10) **Patent No.:** **US D835,538 S**
Silvestri (45) **Date of Patent:** **** Dec. 11, 2018**

(54) **ARTICLE OF JEWELRY**

(71) Applicant: **Bulgari S.p.A.**, Rome (IT)

(72) Inventor: **Lucia Silvestri**, Rome (IT)

(73) Assignee: **Bulgari S.p.A.**, Rome (IT)

(**) Term: **15 Years**

(21) Appl. No.: **29/629,857**

(22) Filed: **Dec. 15, 2017**

Related U.S. Application Data

(62) Division of application No. 29/572,936, filed on Aug. 1, 2016.

(51) **LOC (11) Cl.** **11-01**

(52) **U.S. Cl.**
USPC **D11/31**

(58) **Field of Classification Search**
USPC D11/1-43, 47, 77-80, 85, 86, 89-92;
D3/243

CPC A44C 1/00; A44C 5/00; A44C 5/0007;
A44C 5/0015; A44C 5/0023; A44C
5/003; A44C 5/0084; A44C 5/0092; A44C
7/00; A44C 7/001; A44C 7/002; A44C
7/003; A44C 7/004; A44C 7/005; A44C
9/00; A44C 9/0038; A44C 9/0046; A44C
9/0053; A44C 9/0061; A44C 9/0069;
A44C 9/0084; A44C 9/02; A44C 13/00
See application file for complete search history.

(56) **References Cited**

U.S. PATENT DOCUMENTS

D66,249 S * 12/1924 Stoll D11/80
2,266,942 A * 12/1941 Wallace A44C 5/0046
D11/5
D342,916 S * 1/1994 Giralt D11/26
D364,832 S * 12/1995 Hou D11/4

D412,457 S * 8/1999 Perrin D11/26
D441,005 S * 4/2001 Parham, Jr. D17/20
D498,169 S * 11/2004 Pinto D11/79
D510,540 S * 10/2005 Pinto D11/79
D583,274 S * 12/2008 Steshik D11/91
D606,886 S * 12/2009 Bulgari D10/32
D606,894 S * 12/2009 Bulgari D11/5
D628,092 S * 11/2010 Bulgari D10/32
D657,708 S * 4/2012 Guerrero, II D11/81
D658,529 S * 5/2012 Papadimitriou D11/40
D660,193 S * 5/2012 Neuner D11/26
D763,118 S * 8/2016 Modi D11/89
D771,262 S * 11/2016 Lee D11/3
D773,952 S * 12/2016 Traglio D11/3
D774,301 S * 12/2016 Bulgari D3/243
D779,999 S * 2/2017 Bulgari D11/5
D780,035 S * 2/2017 Bulgari D11/42
D780,036 S * 2/2017 Silvestri D11/42
D781,567 S * 3/2017 Silverman D2/976

(Continued)

Primary Examiner — Cynthia Ramirez

Assistant Examiner — L. Martinez-Rivera

(74) *Attorney, Agent, or Firm* — Stephen J. Kenny; Peter A. Sullivan; Foley Hoag LLP

(57) **CLAIM**

The ornamental design for an article of jewelry, as shown and described.

DESCRIPTION

FIG. 1 is a perspective view of an article of jewelry showing my new design.

FIG. 2 is a front view thereof.

FIG. 3 is a back view thereof.

FIG. 4 is a left view thereof.

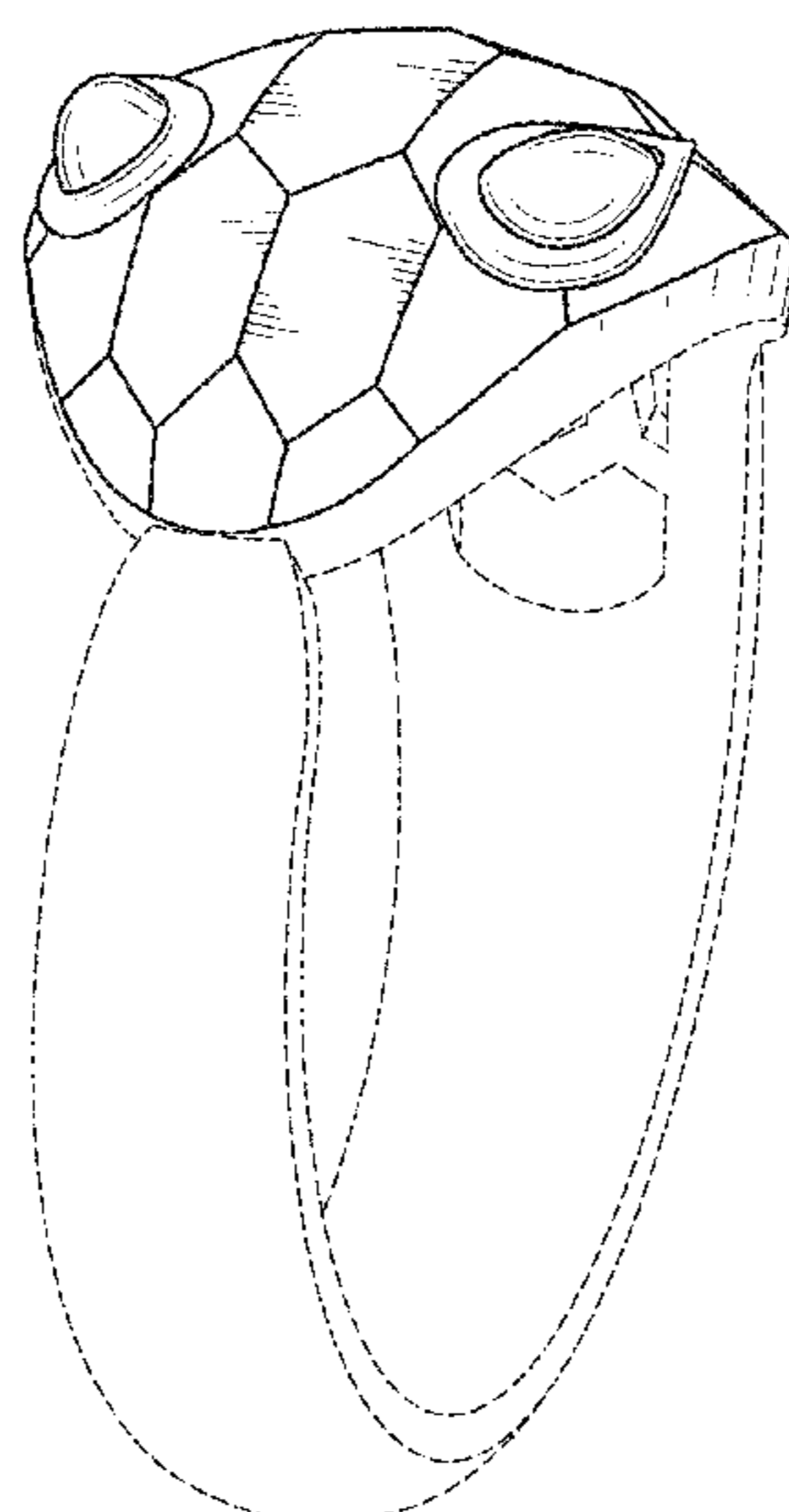
FIG. 5 is a right view thereof.

FIG. 6 is a top view thereof; and,

FIG. 7 is a bottom view thereof.

The broken lines in the drawings illustrate portions of the article of jewelry that form no part of the claimed design.

1 Claim, 7 Drawing Sheets



(56)

References Cited

U.S. PATENT DOCUMENTS

D793,723 S * 8/2017 Lopez Montoya D3/243
D811,258 S * 2/2018 Buonamassa Stigliani D11/5

* cited by examiner

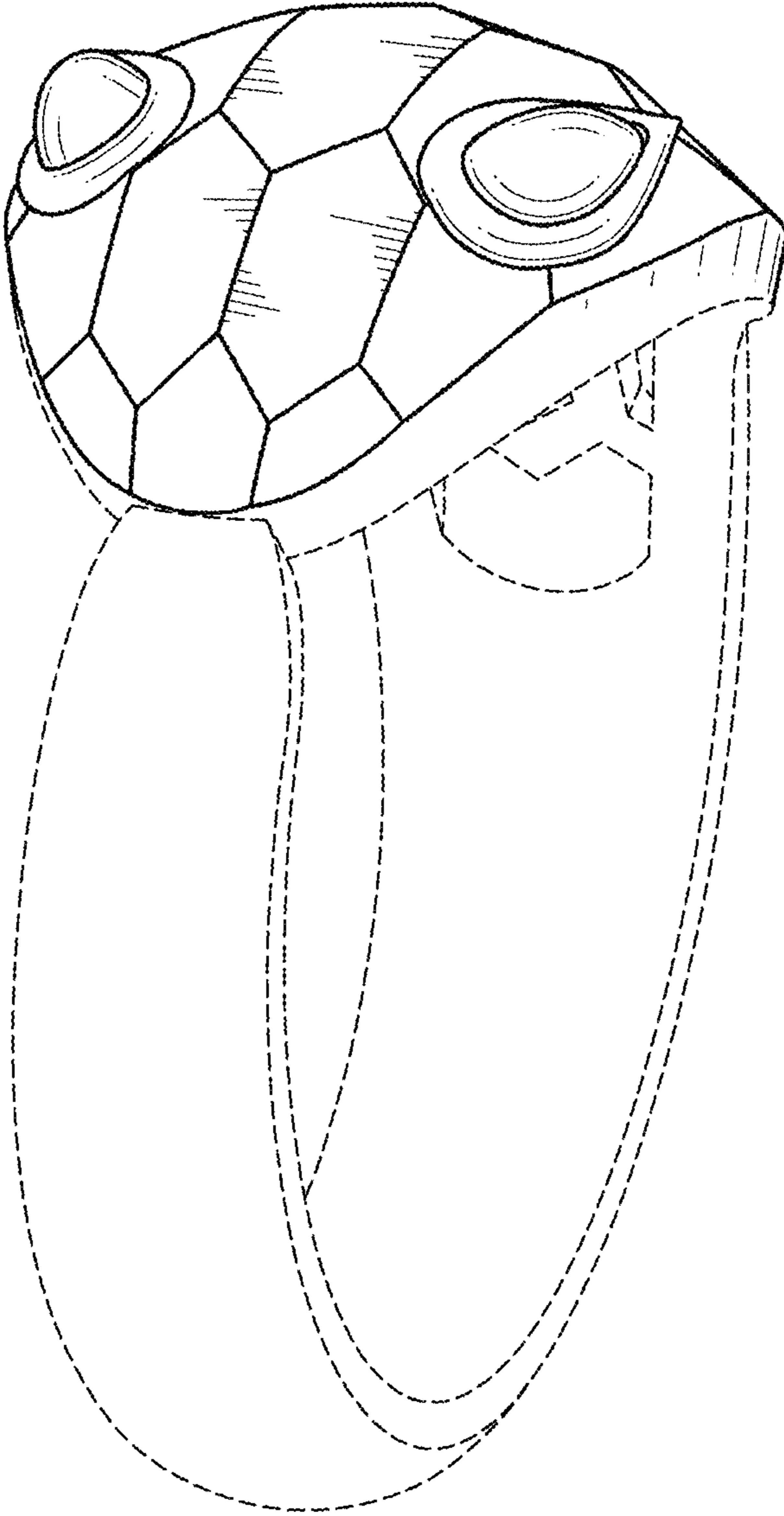


FIG. 1

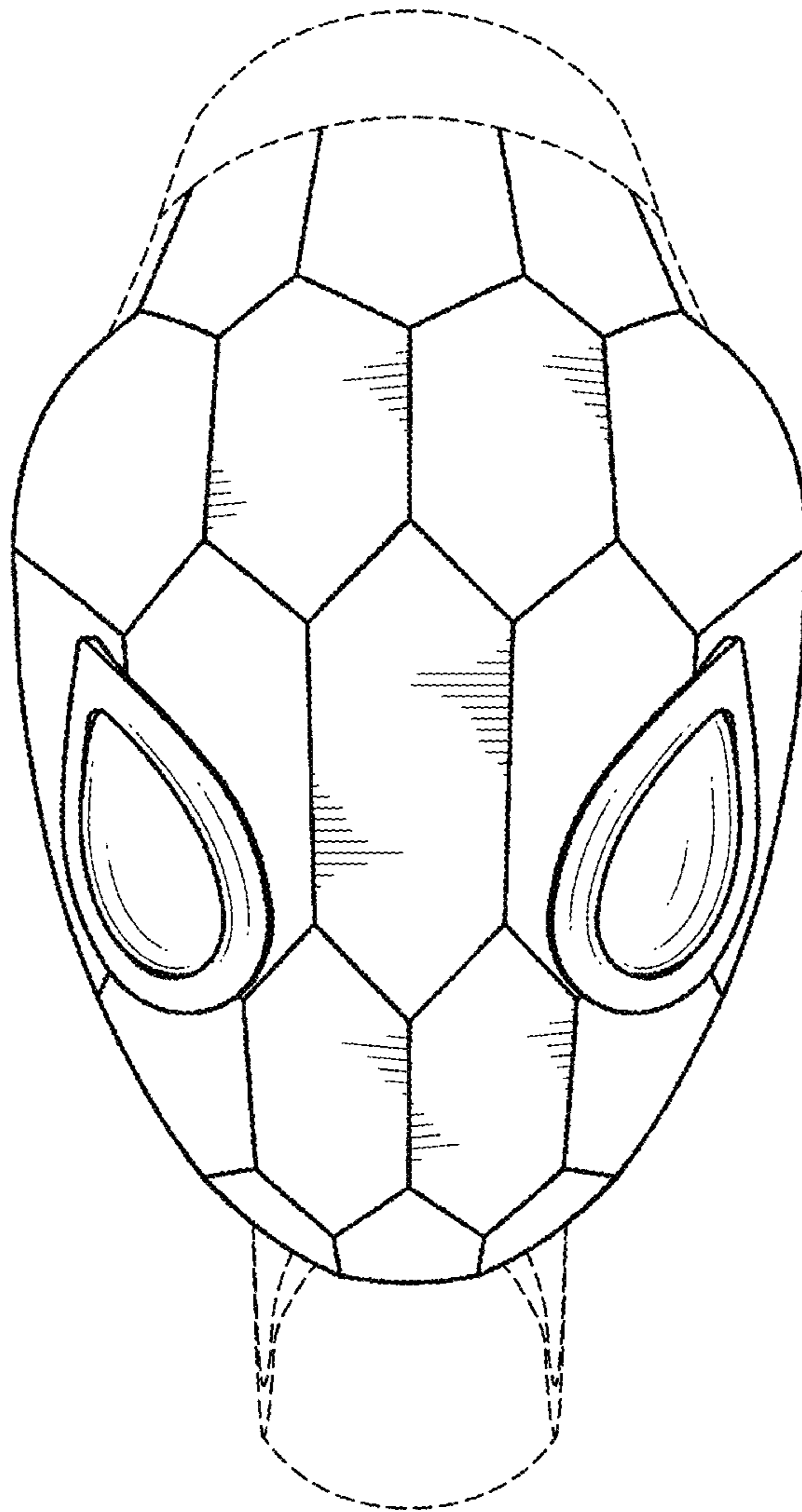


FIG. 2

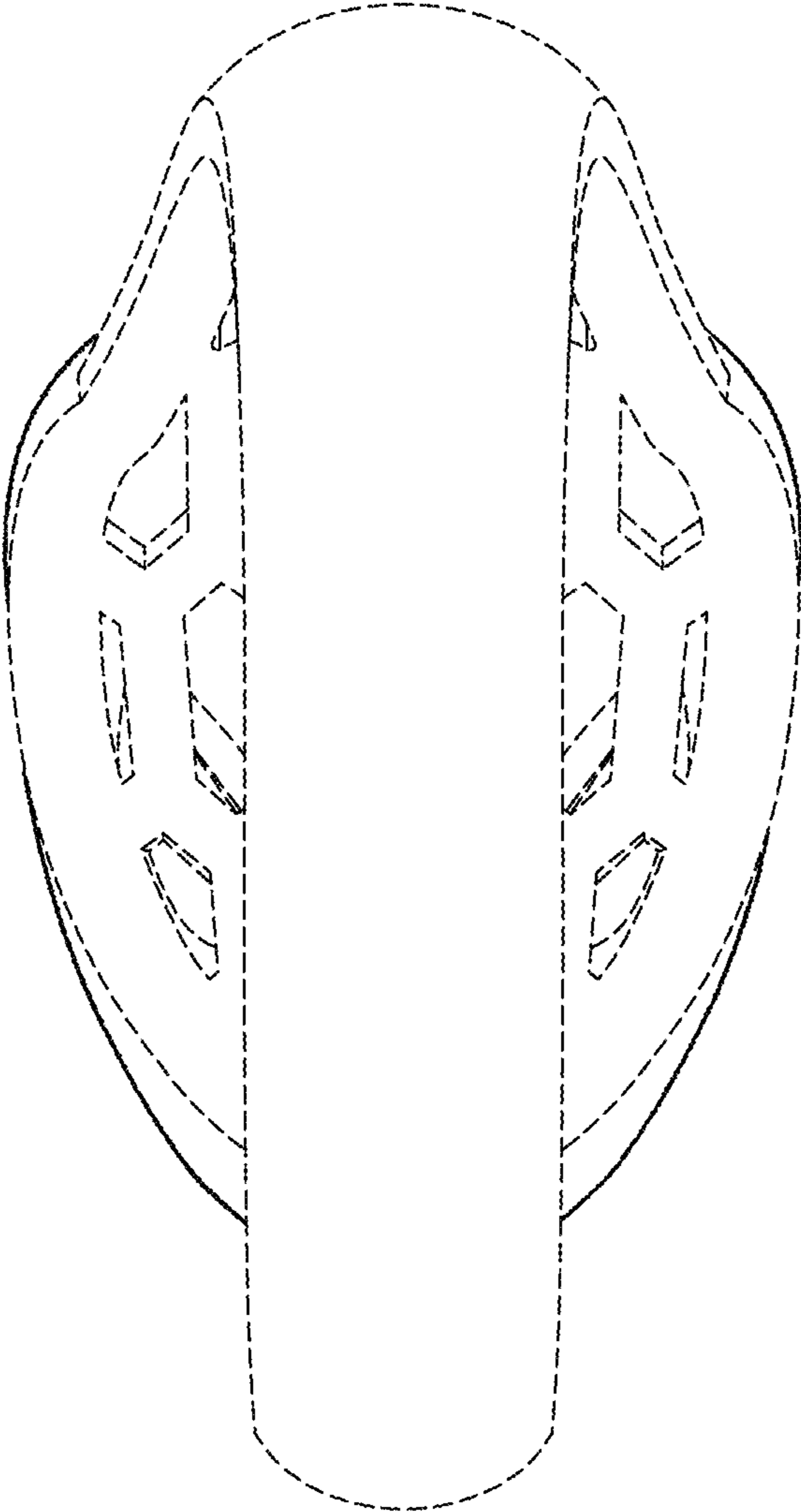


FIG. 3

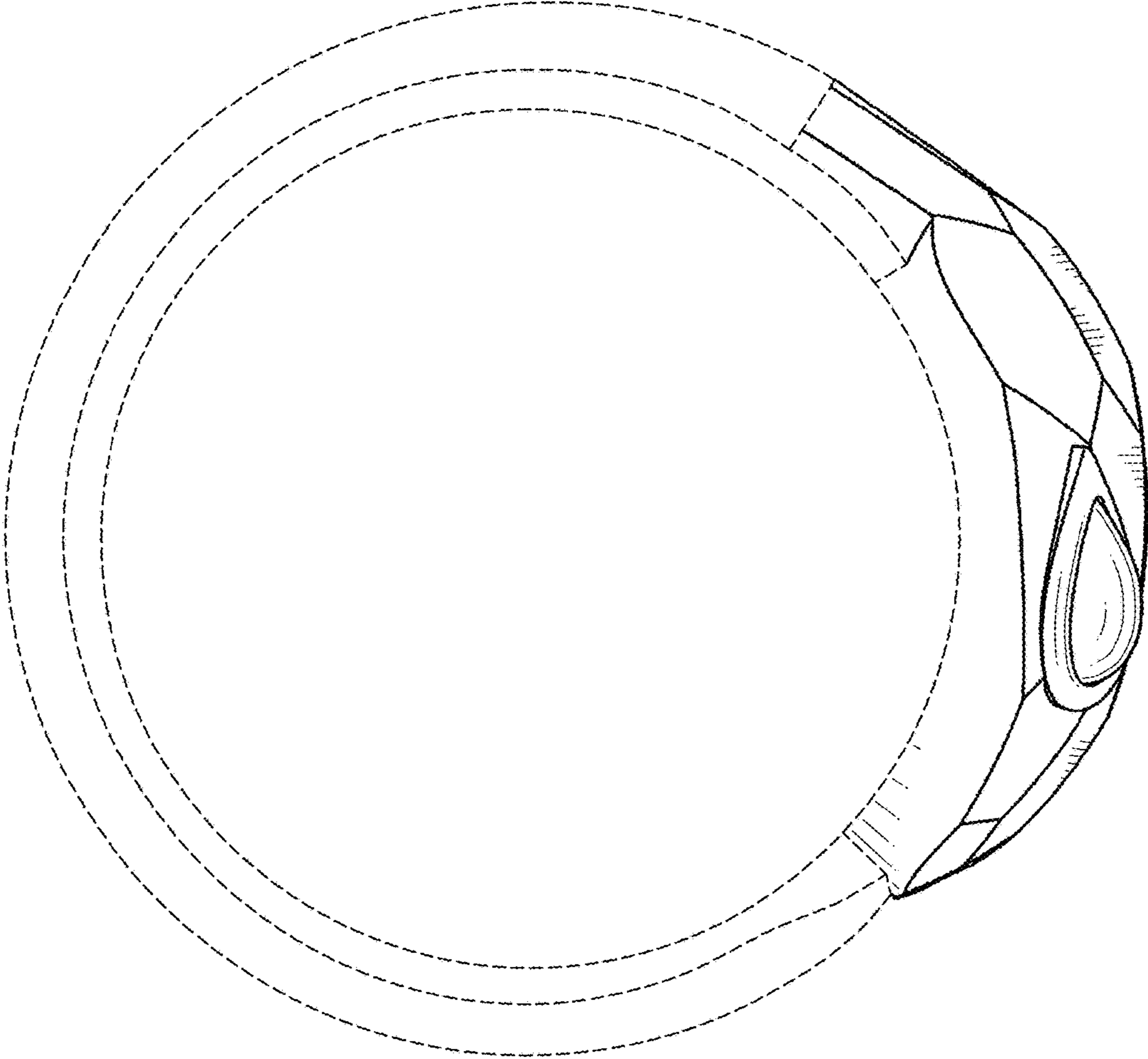


FIG. 4

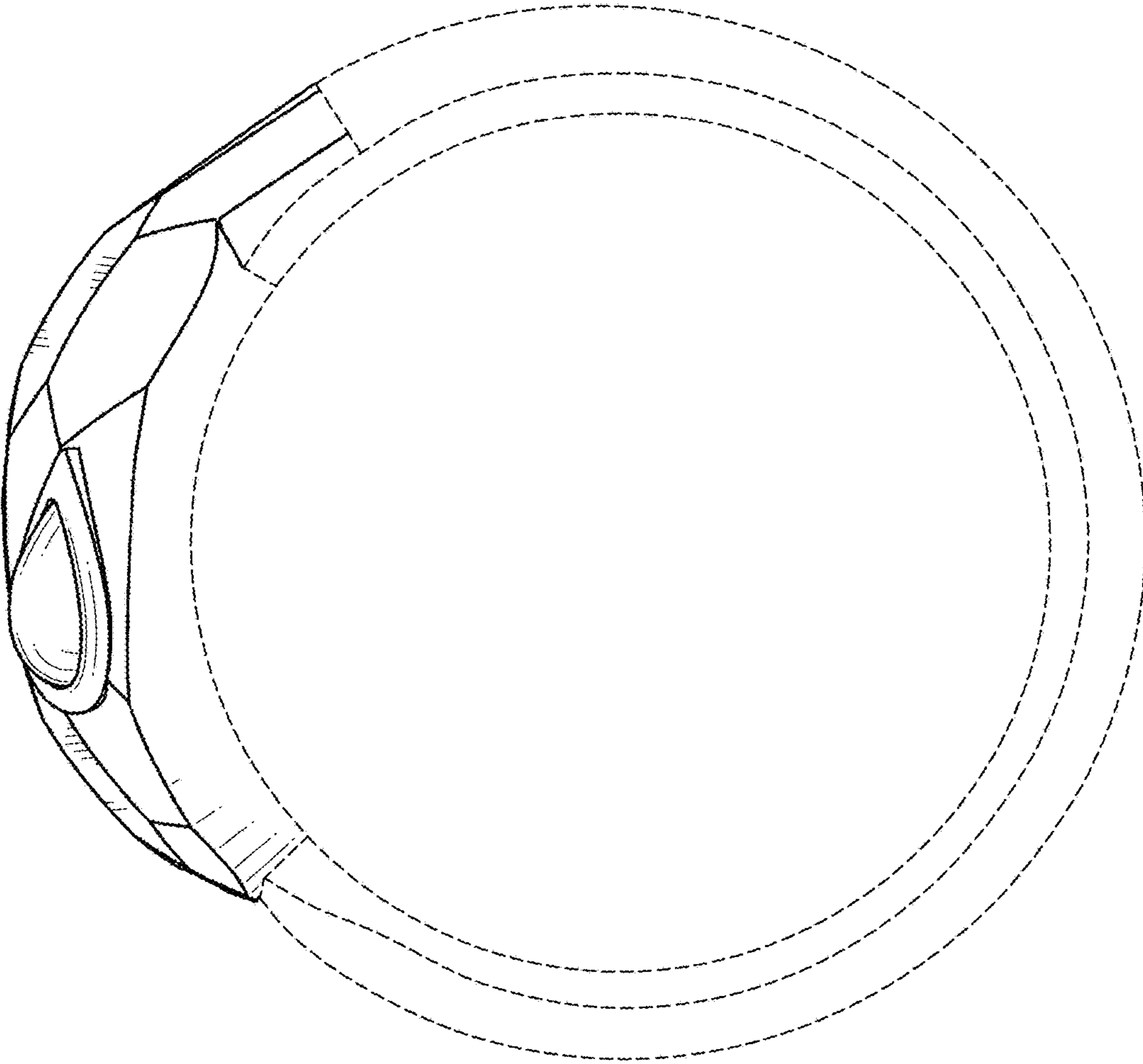


FIG. 5

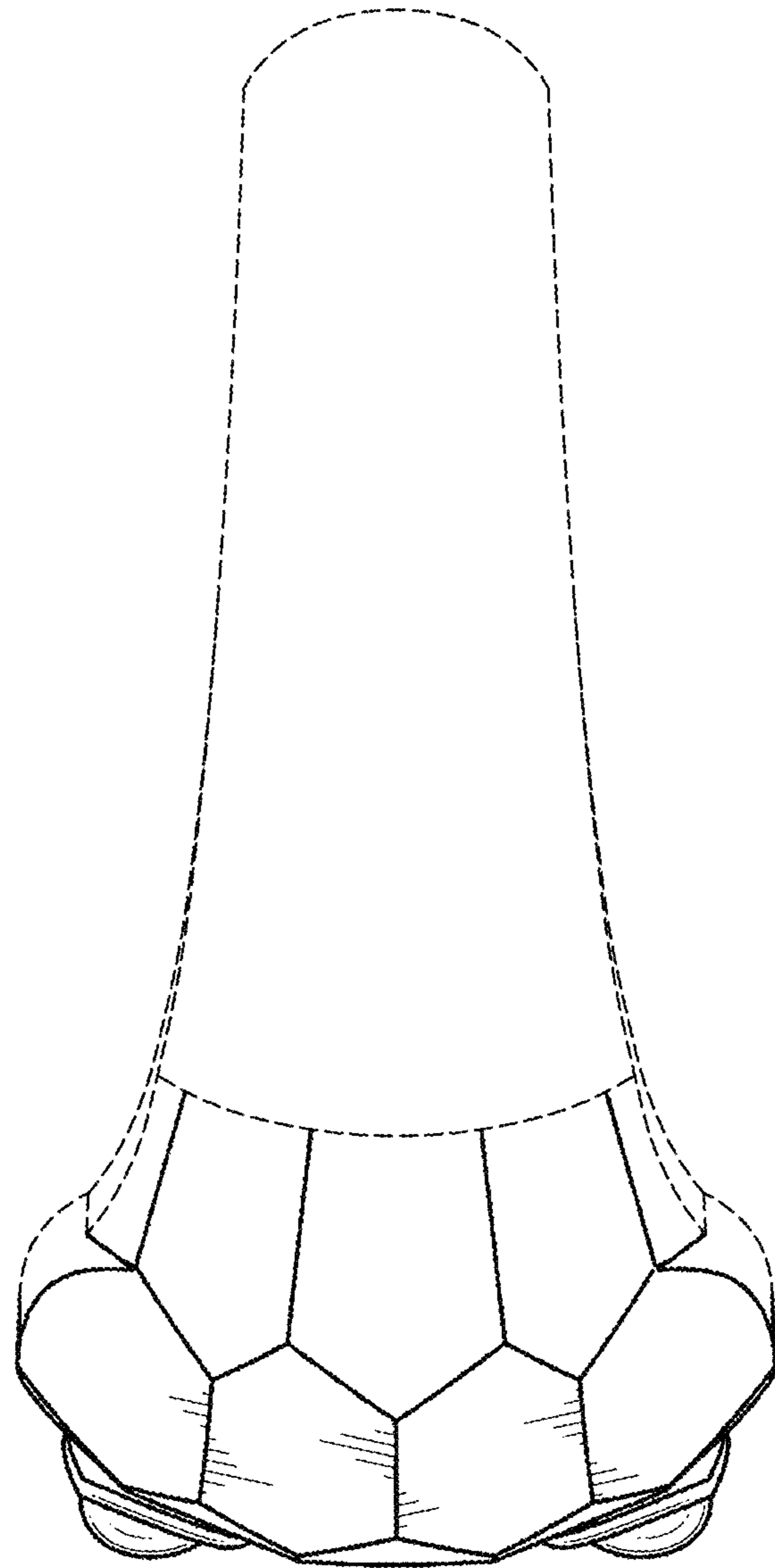


FIG. 6

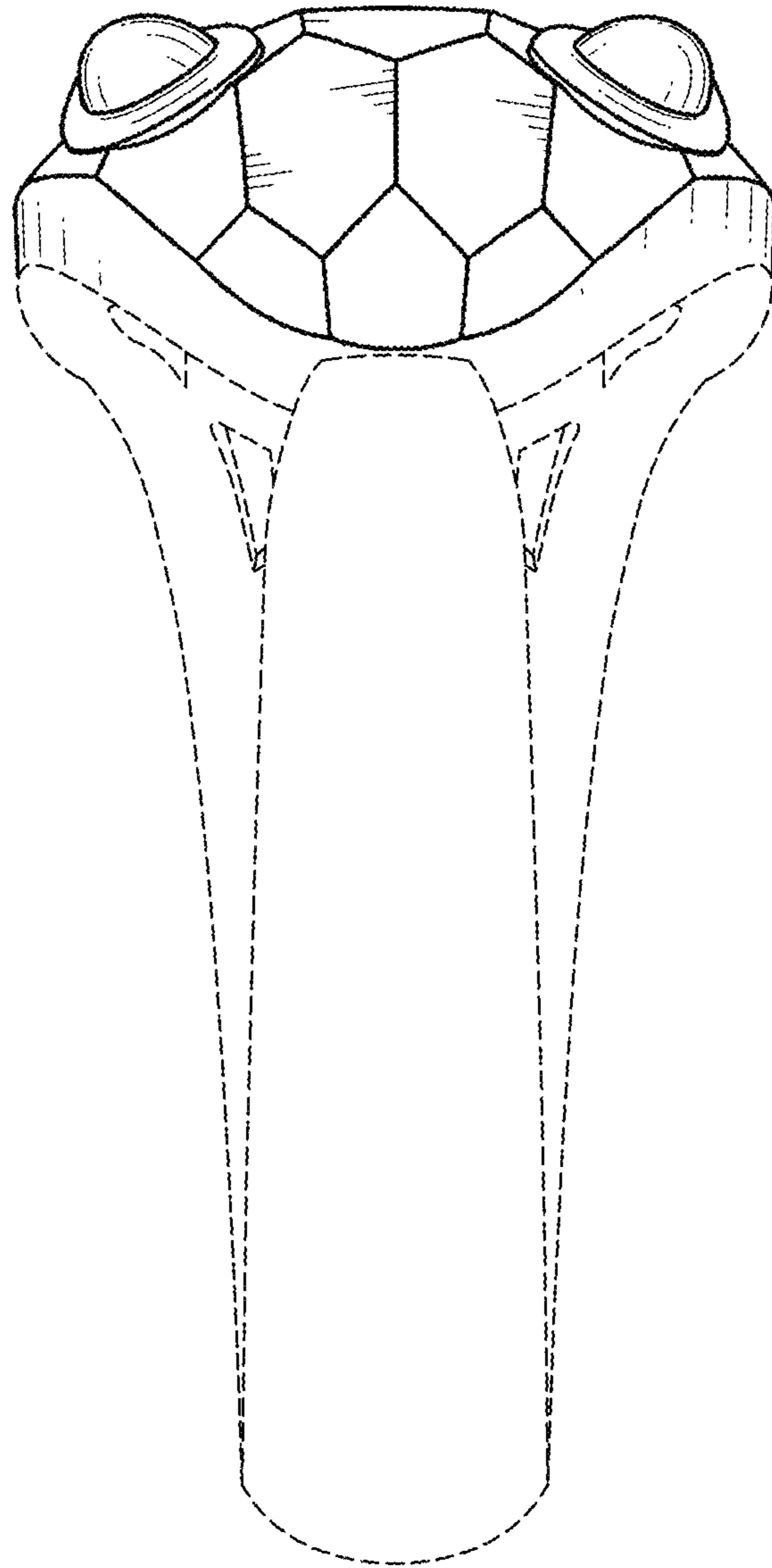


FIG. 7