



US00D835537S

(12) **United States Design Patent** (10) **Patent No.:** **US D835,537 S**
Matheny (45) **Date of Patent:** **** Dec. 11, 2018**

(54) **JEWELRY ARTICLE**

(71) Applicant: **Tuff-Links, LLC**, Plano, TX (US)

(72) Inventor: **Keith E. Matheny**, Plano, TX (US)

(73) Assignee: **TUFF-LINKS, LLC**, Plano, TX (US)

(**) Term: **15 Years**

(21) Appl. No.: **29/575,247**

(22) Filed: **Aug. 23, 2016**

Related U.S. Application Data

(63) Continuation of application No. 29/487,971, filed on Apr. 14, 2014, now Pat. No. Des. 767,434.

(51) **LOC (11) Cl.** **11-01**

(52) **U.S. Cl.**
USPC **D11/1**

(58) **Field of Classification Search**
USPC D11/1, 2, 40, 41, 42, 43, 47, 76, 78.1, D11/79, 86, 87; D2/946, 947, 951, 953; D5/1, 2, 59-63, 99; D25/65, 63, 68, 69
(Continued)

(56) **References Cited**

U.S. PATENT DOCUMENTS

D181,432 S * 11/1957 Murray D25/157
D311,997 S * 11/1990 Legare D5/53
(Continued)

Primary Examiner — Cynthia Ramirez

Assistant Examiner — L. Martinez-Rivera

(74) *Attorney, Agent, or Firm* — Wick Phillips Gould & Martin LLP; Ryan D. Jenlink

(57) **CLAIM**

The ornamental design for a jewelry article, as shown and described.

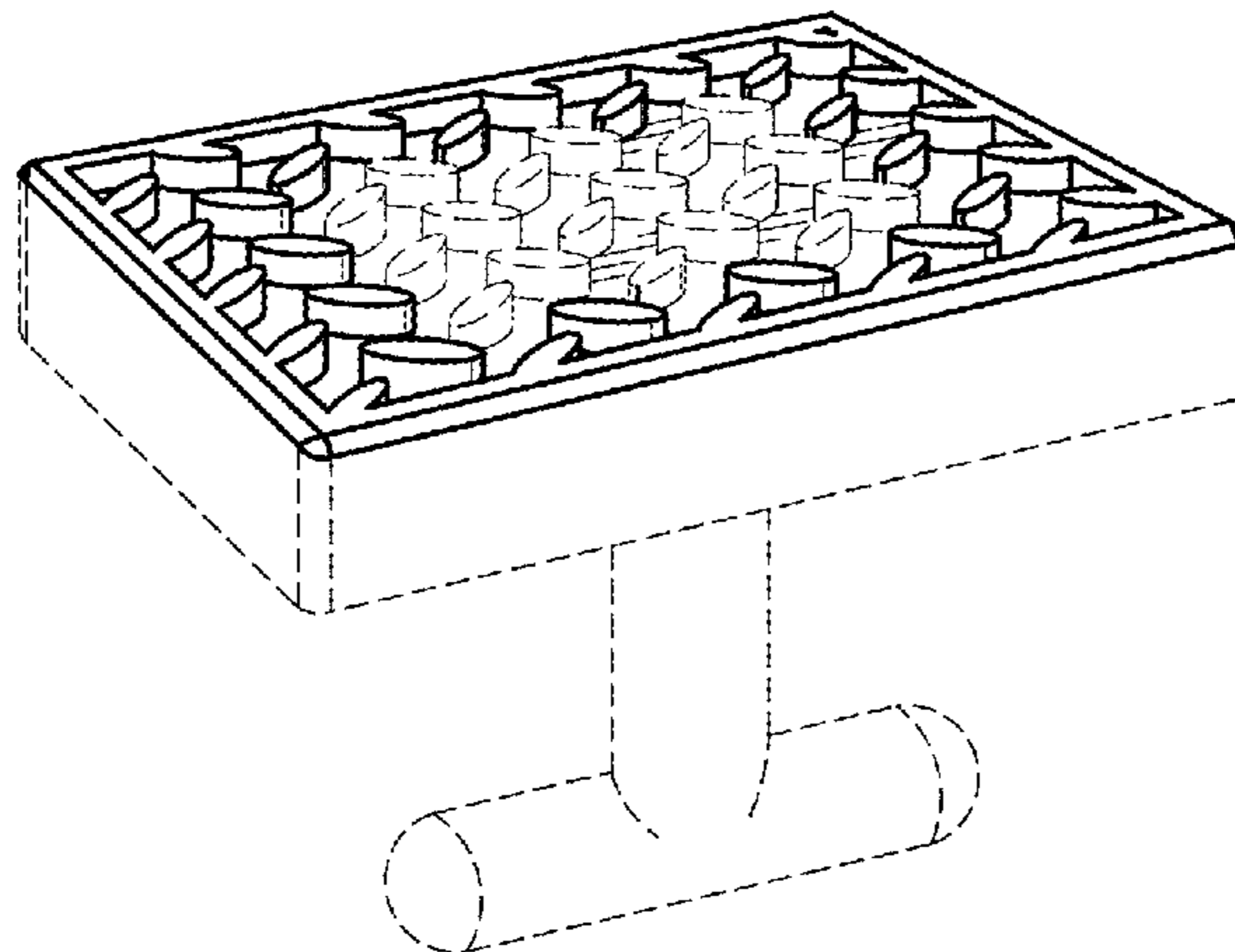
DESCRIPTION

FIG. 1 is a top perspective view of a first embodiment of a jewelry article showing my new design;

FIG. 2 is another top perspective view thereof;
FIG. 3 is a side view thereof;
FIG. 4 is another side view thereof;
FIG. 5 is a top plan view thereof;
FIG. 6 is a bottom plan view thereof;
FIG. 7 is a top perspective view of a second embodiment of a jewelry article showing my new design;
FIG. 8 is another top perspective view thereof;
FIG. 9 is a side view thereof;
FIG. 10 is another side view thereof;
FIG. 11 is a top plan view thereof;
FIG. 12 is a bottom plan view thereof;
FIG. 13 is a top perspective view of a third embodiment of a jewelry article showing my new design;
FIG. 14 is a top perspective view thereof;
FIG. 15 is a side view thereof;
FIG. 16 is another side view thereof;
FIG. 17 is another side view thereof;
FIG. 18 is a top plan view thereof;
FIG. 19 is a bottom plan view thereof;
FIG. 20 is a top perspective view of a fourth embodiment of a jewelry article showing my new design;
FIG. 21 is another top perspective view thereof;
FIG. 22 is a side view thereof;
FIG. 23 is another side view thereof;
FIG. 24 is another side view thereof;
FIG. 25 is a top plan view thereof;
FIG. 26 is a bottom plan view thereof;
FIG. 27 is a top perspective view of a seventh embodiment of a jewelry article showing my new design;
FIG. 28 is another top perspective view thereof;
FIG. 29 is a side view thereof;
FIG. 30 is another side view thereof;
FIG. 31 is a top plan view thereof; and,
FIG. 32 is a bottom plan view thereof.

The oval shaped elements shown in broken lines in FIGS. 1 through 32 illustrate portions of the jewelry article that form no part of the claimed design. The other broken lines illustrate environmental subject matter only and form no part of the claimed design.

1 Claim, 13 Drawing Sheets



(58) **Field of Classification Search**

CPC A44C 5/02; A44C 21/00; A44C 7/002;
A44C 3/00; A44C 3/001; A44C 3/002;
A44C 3/004; A44C 3/005; A44C 3/006;
A44C 3/007; A44C 3/008; A44C 1/00;
A44C 25/001; A44C 25/007; A44C
25/008; Y10T 24/18; Y10T 24/19; Y10T
24/22; Y10T 24/32

See application file for complete search history.

(56) **References Cited**

U.S. PATENT DOCUMENTS

D336,979 S * 7/1993 Peterson D2/954
D353,469 S * 12/1994 Skaggs D25/62
D356,228 S * 3/1995 Sano D6/582
D413,989 S * 9/1999 Dupont D25/62
D422,151 S * 4/2000 Hwang D5/59
D441,093 S * 4/2001 Johnson D25/62
6,385,866 B1 * 5/2002 Sotter A43C 15/167
D2/960
D466,702 S * 12/2002 Carlson D5/59
D541,018 S * 4/2007 McClaskie D2/951
D572,068 S * 7/2008 Lin D5/39
D717,969 S * 11/2014 Green D25/68
D725,915 S * 4/2015 Haverfield D5/59
D767,434 S * 9/2016 Matheny D11/1

* cited by examiner

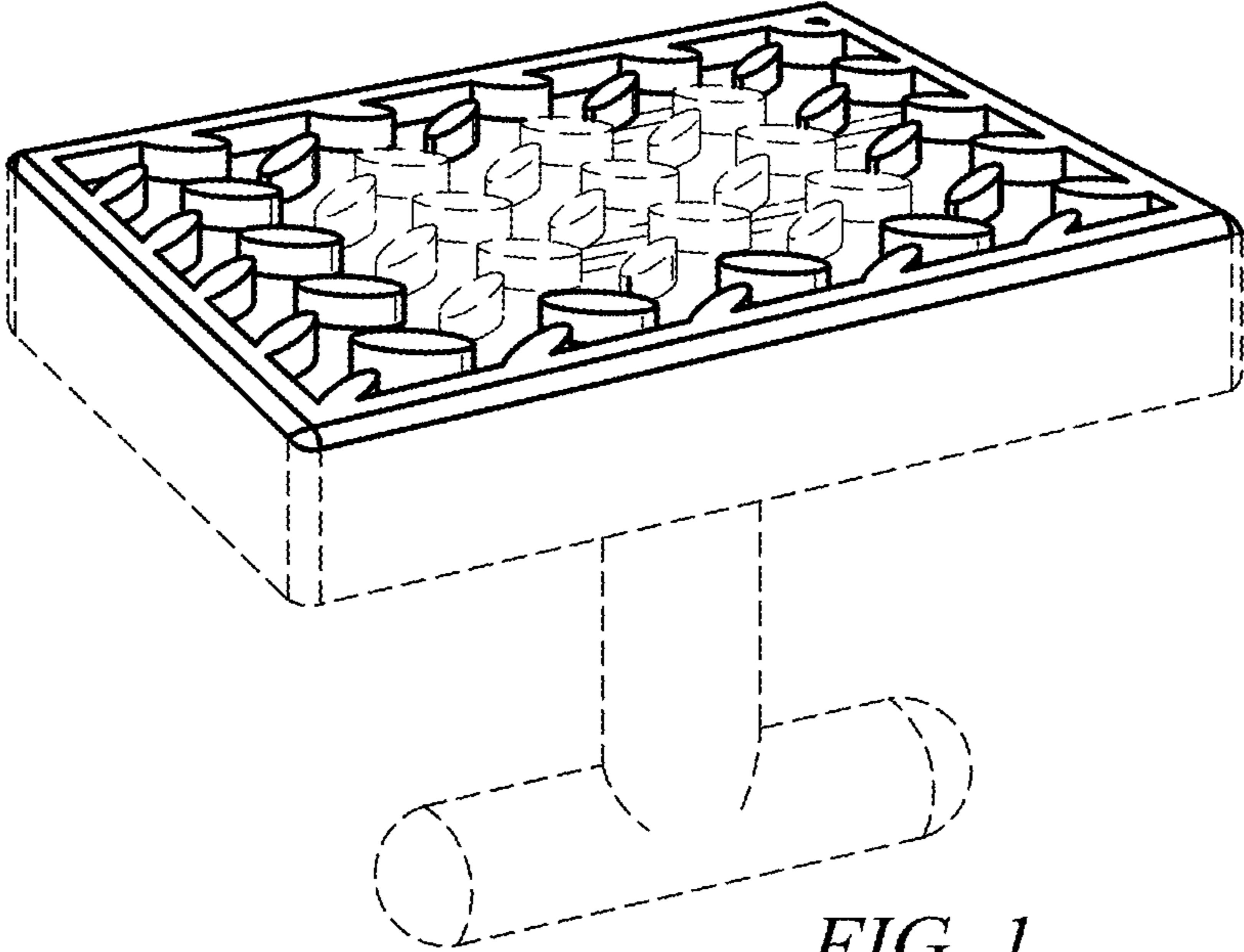


FIG. 1

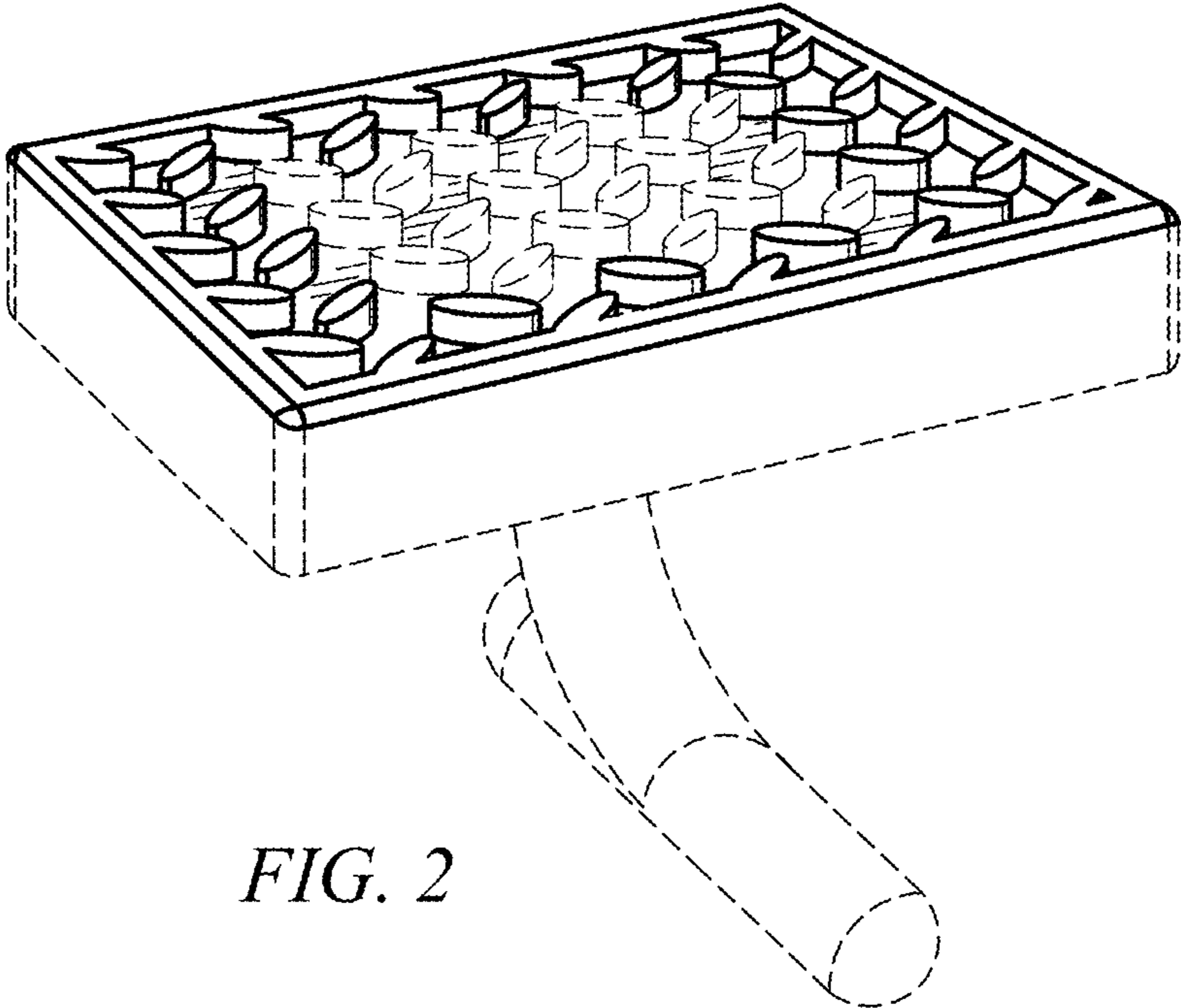


FIG. 2

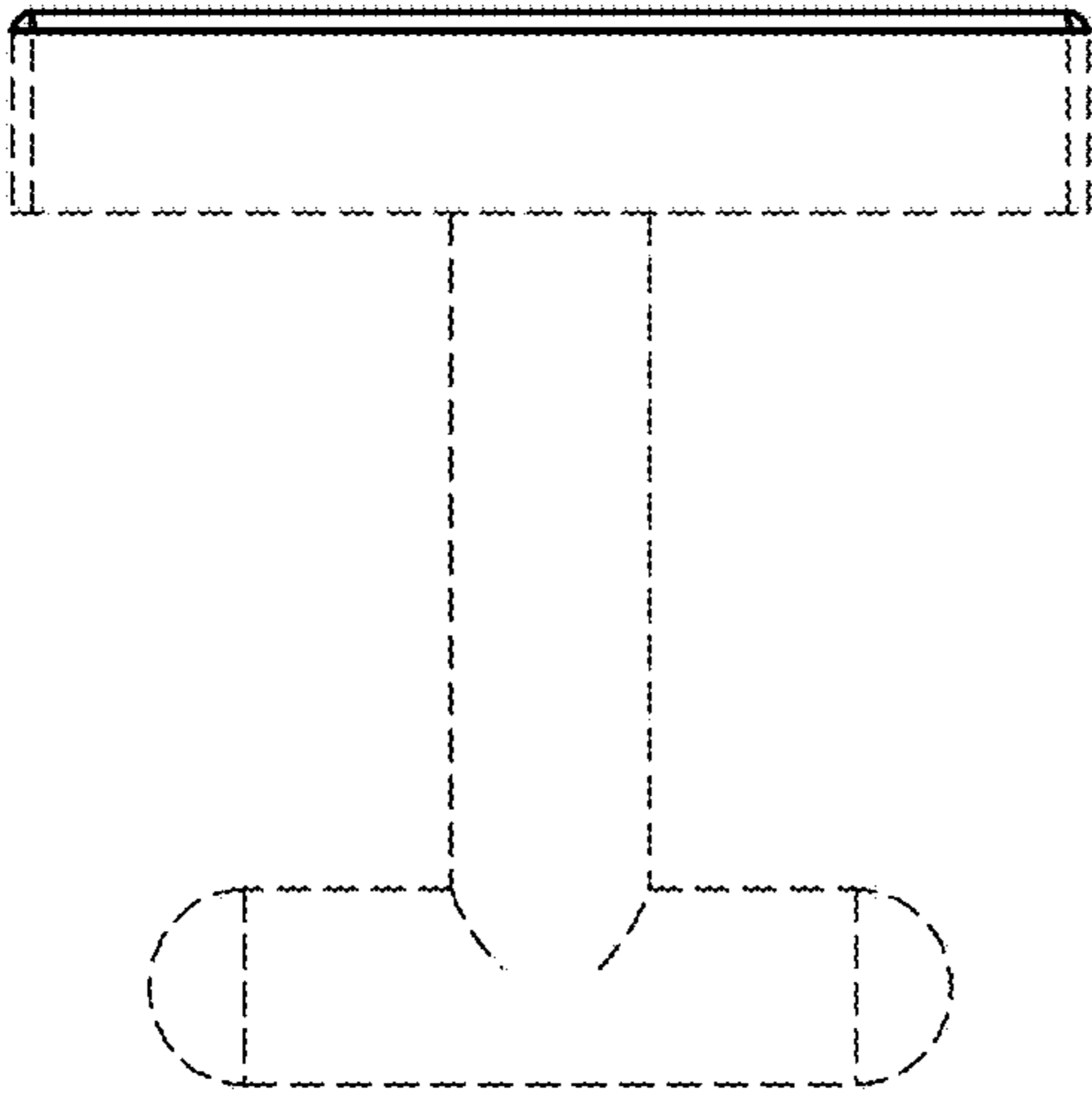


FIG. 3

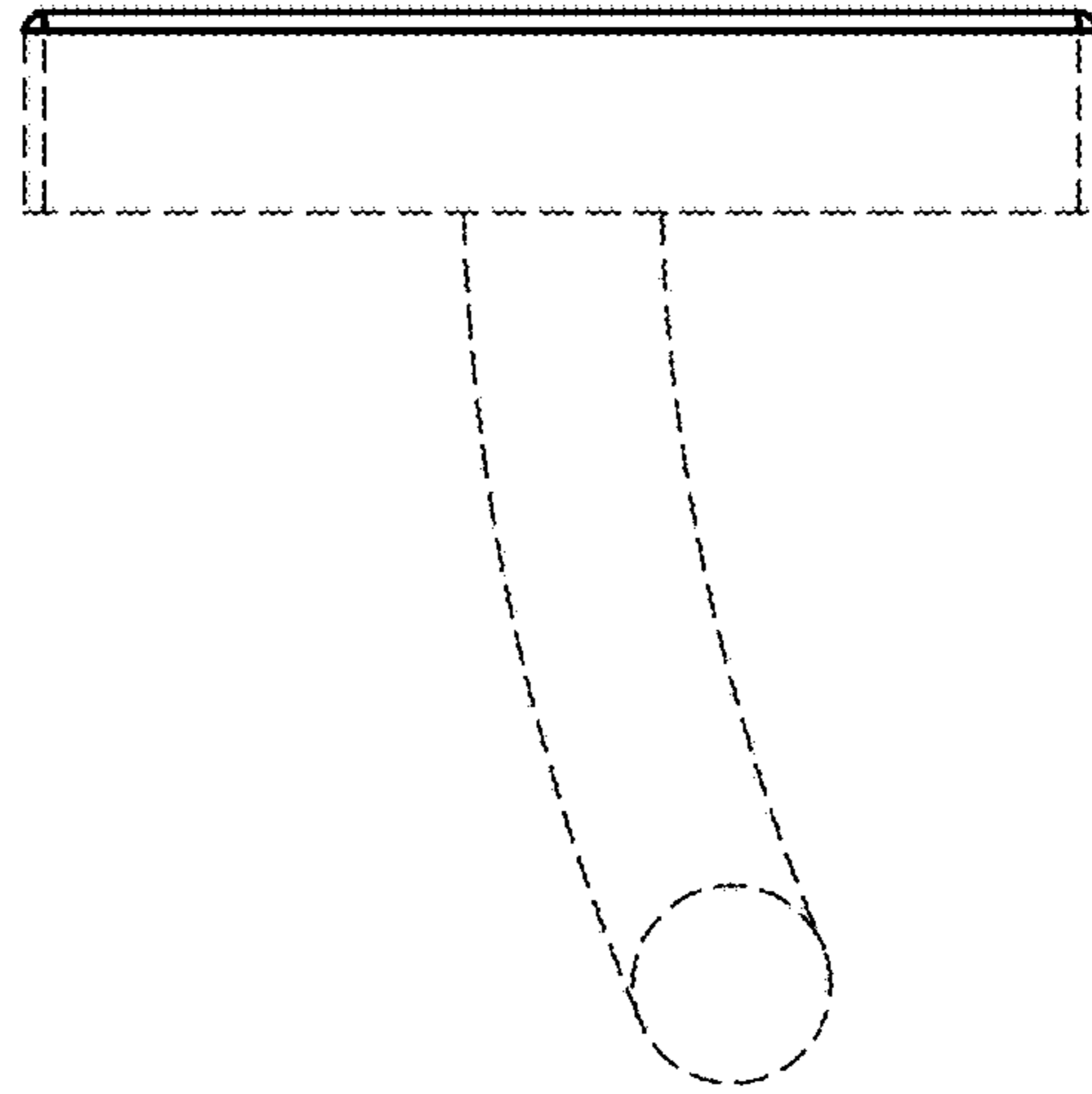


FIG. 4

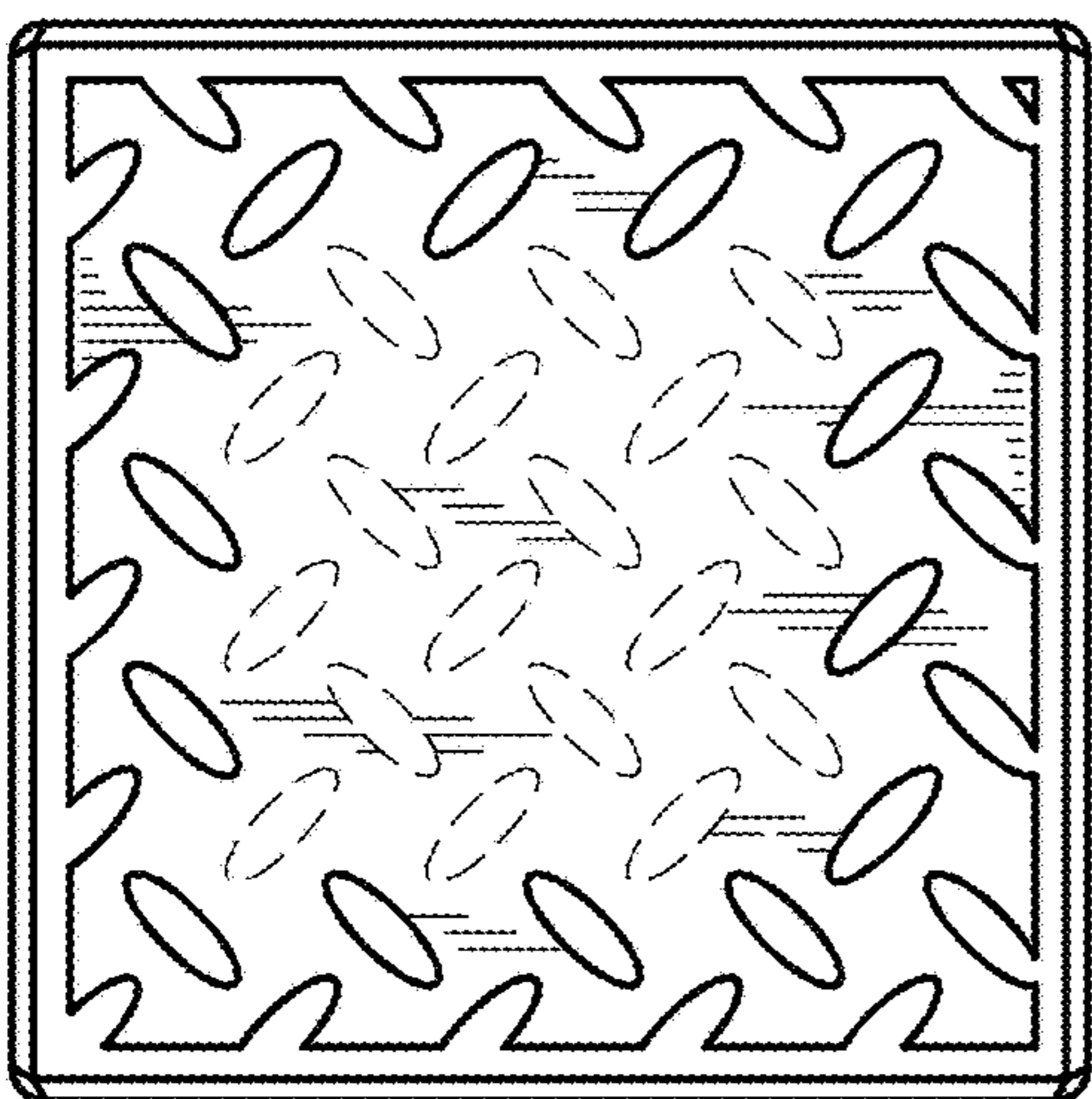


FIG. 5

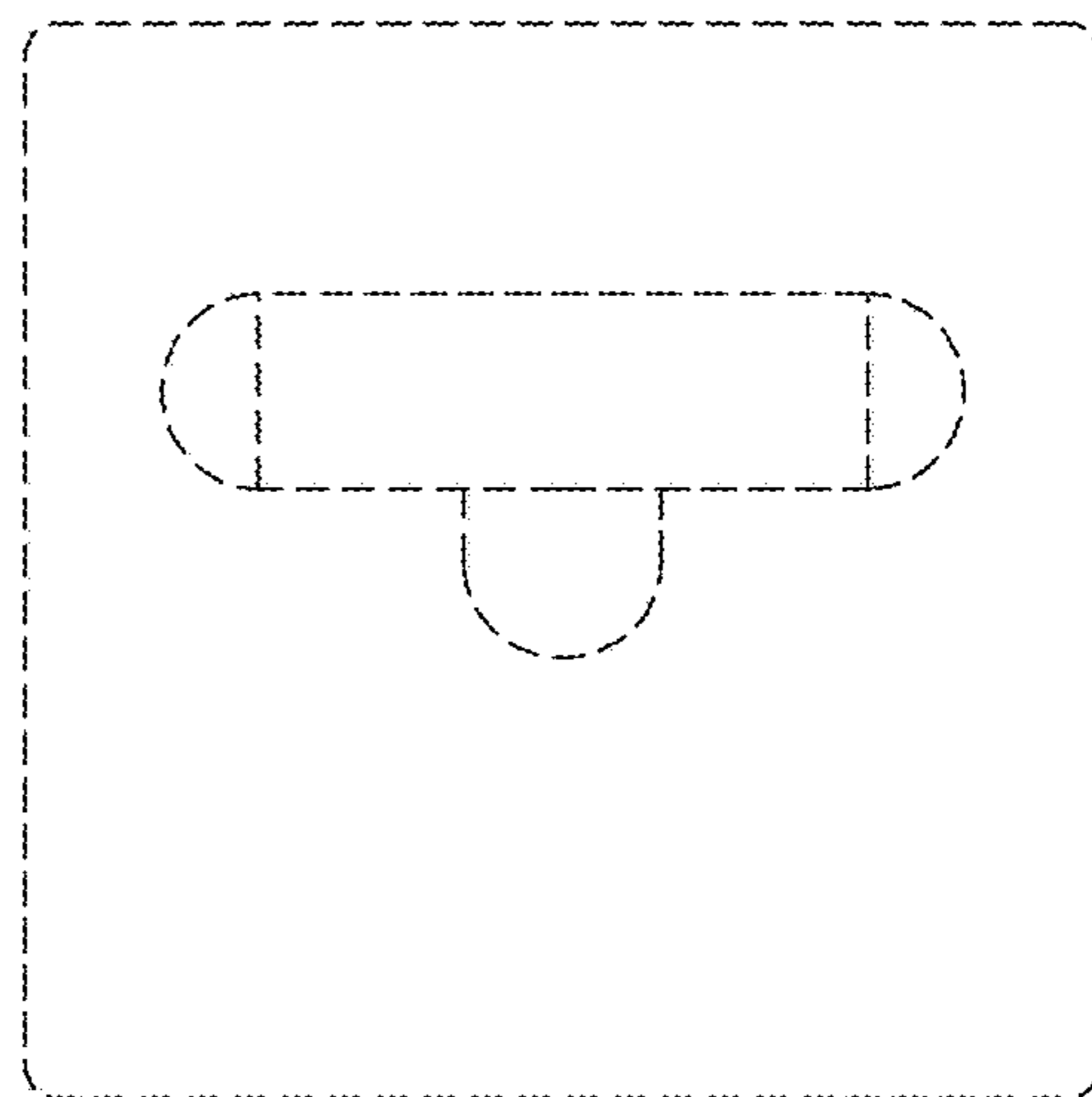


FIG. 6

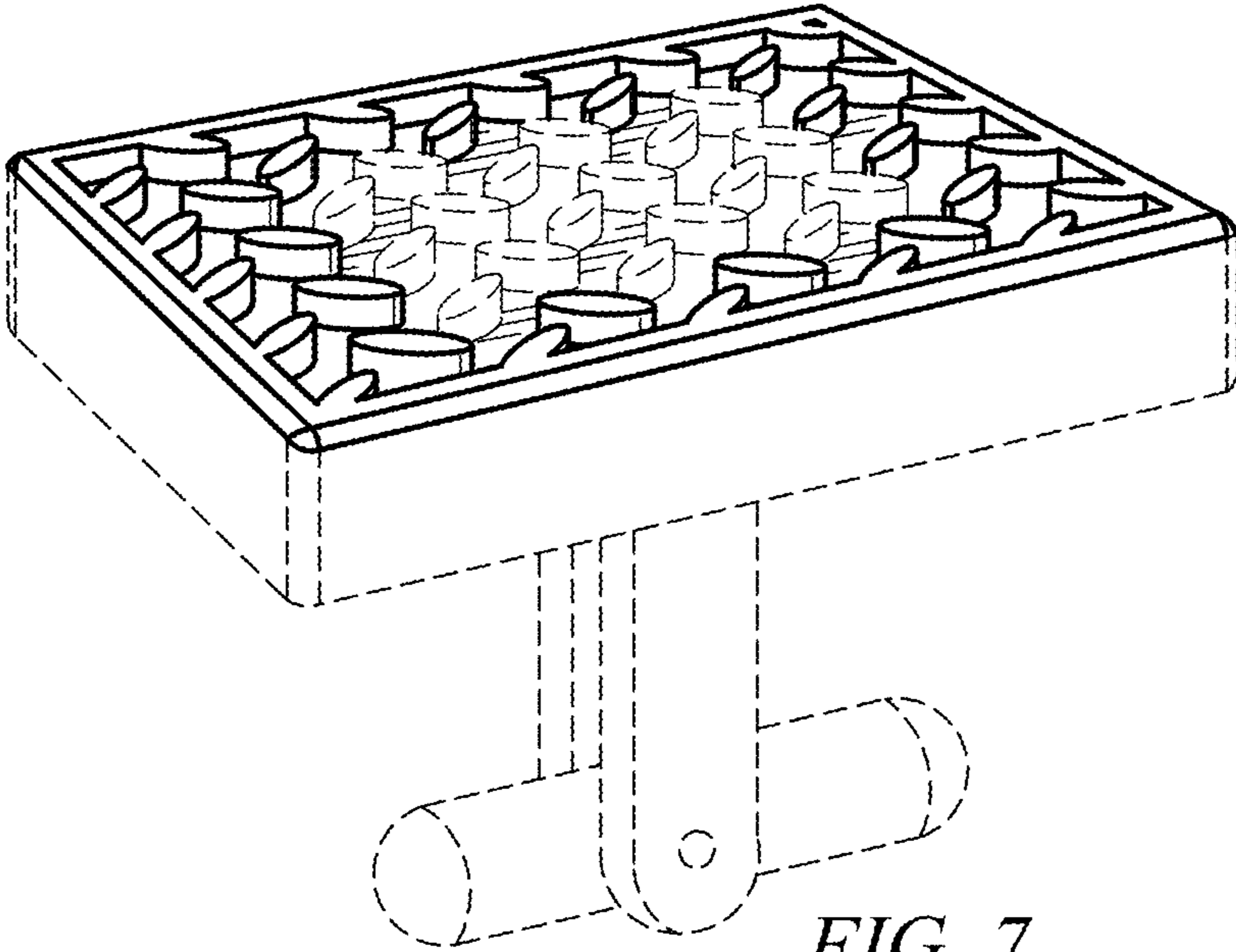


FIG. 7

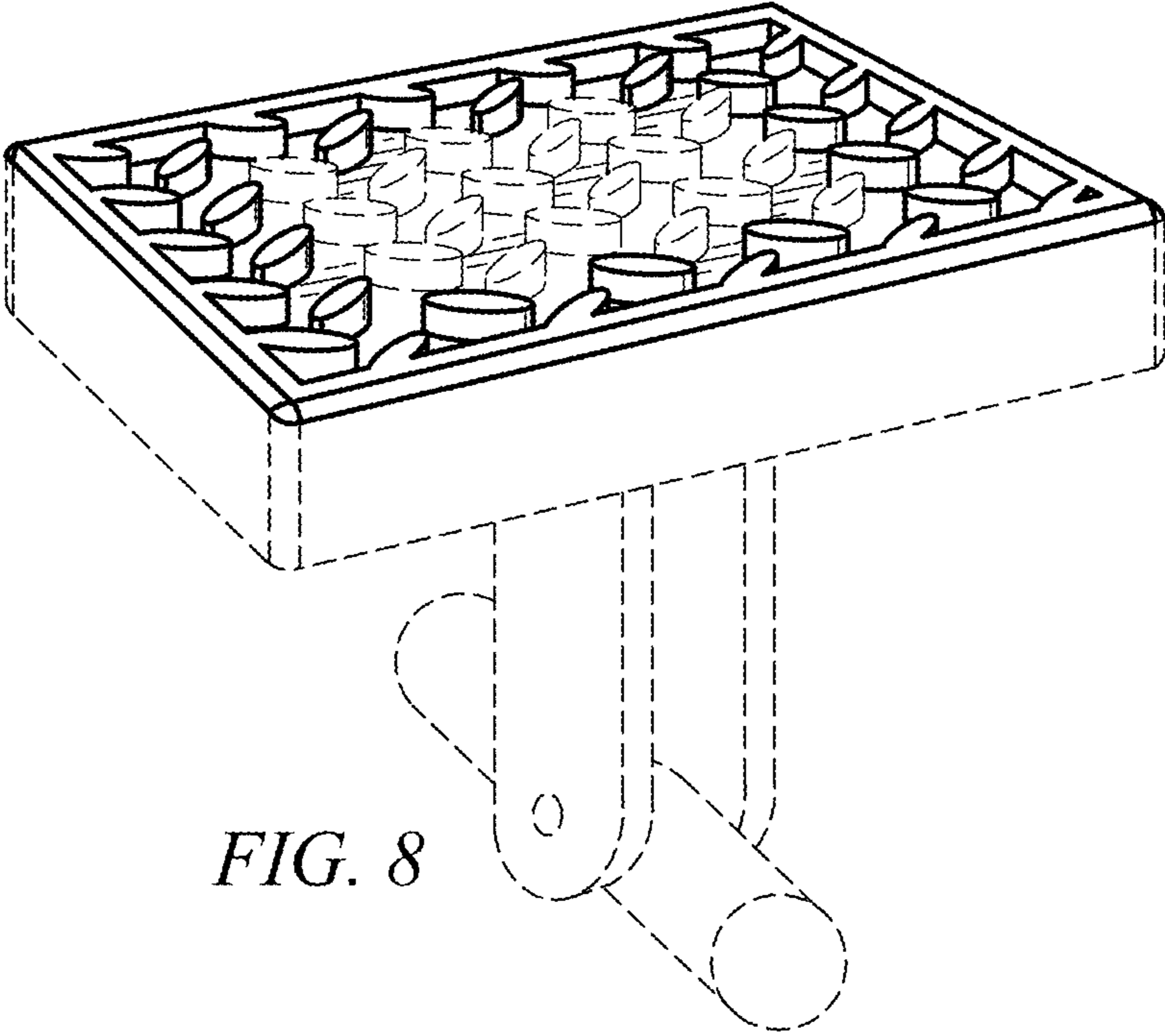


FIG. 8

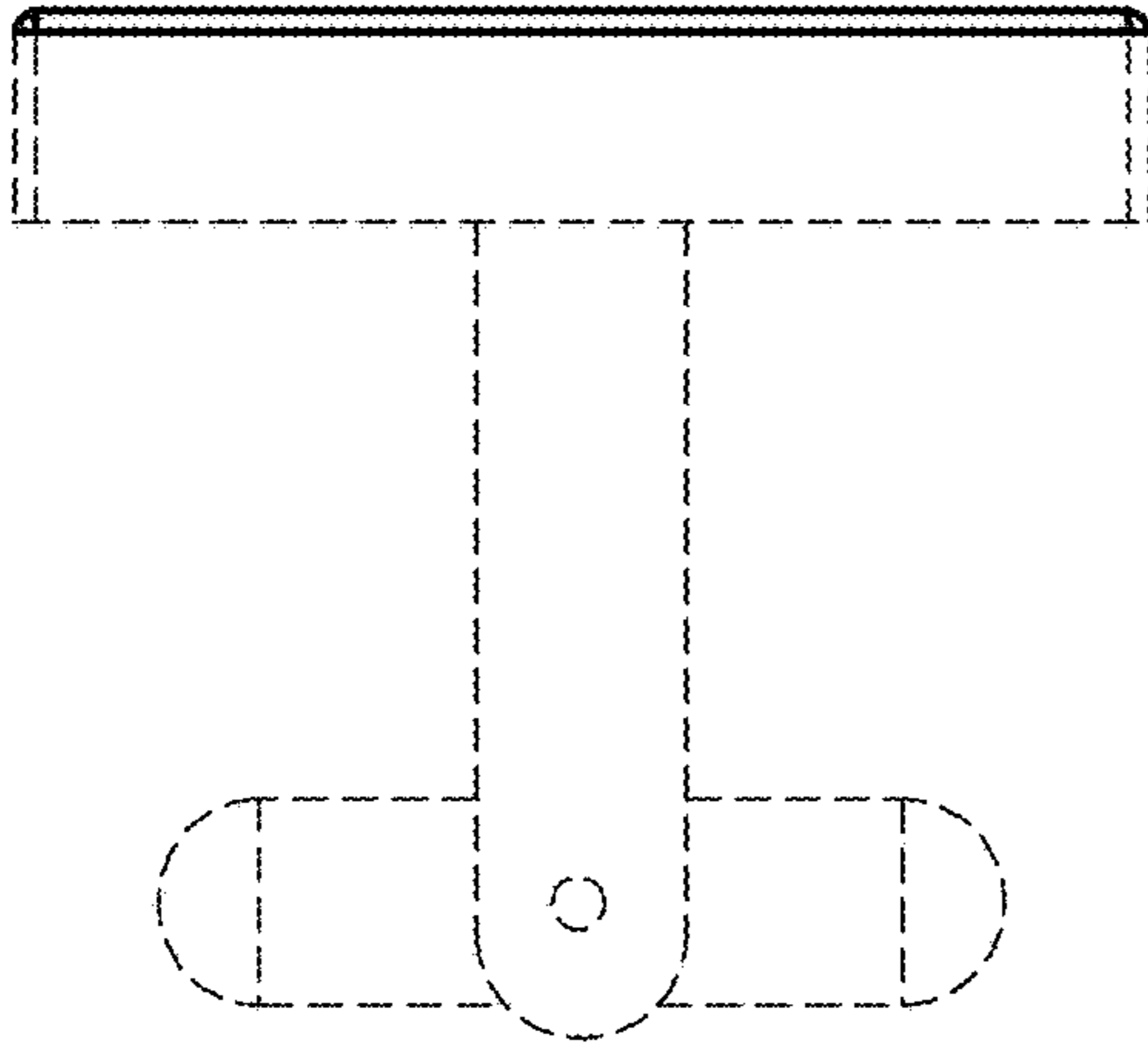


FIG. 9

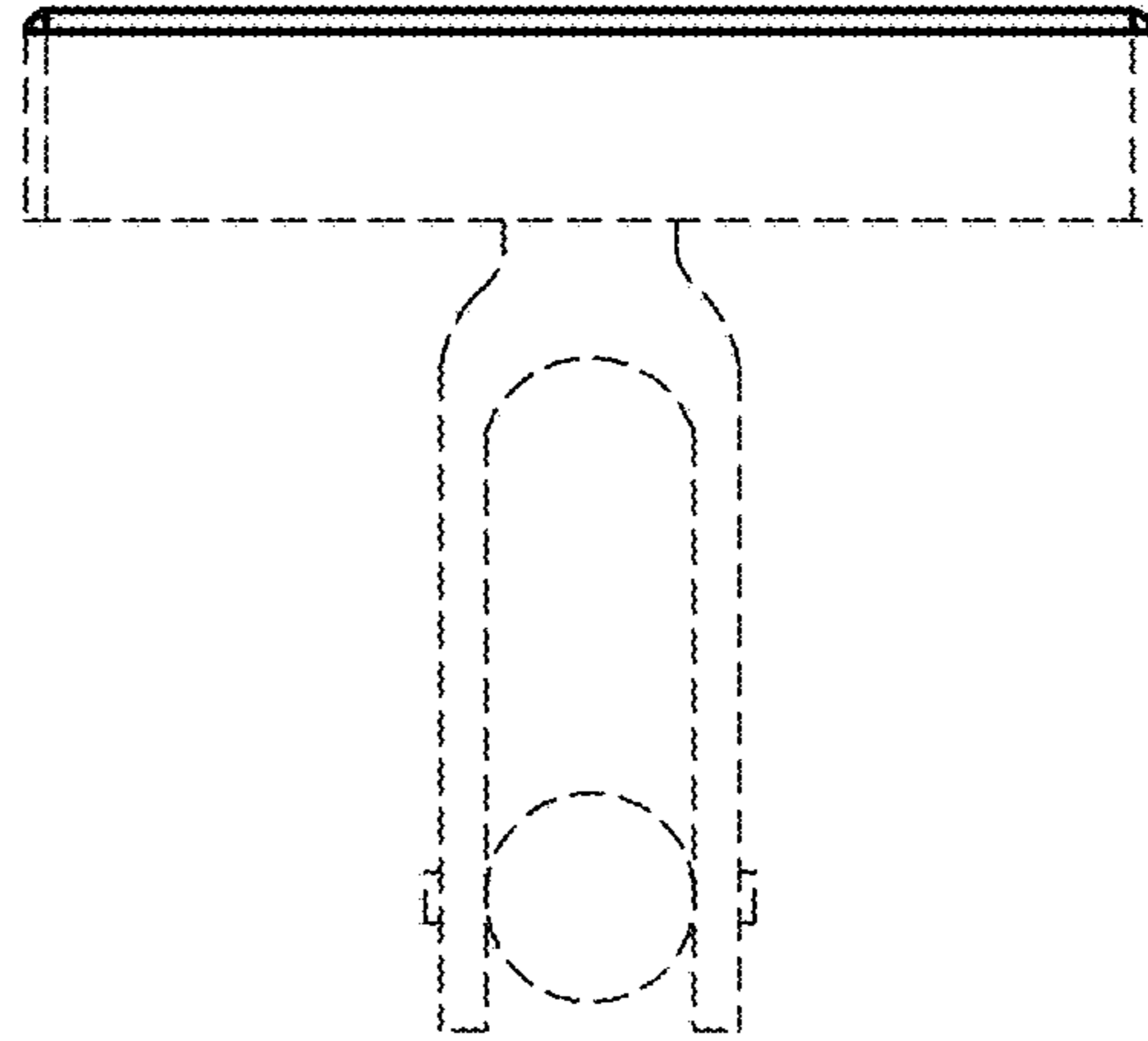


FIG. 10

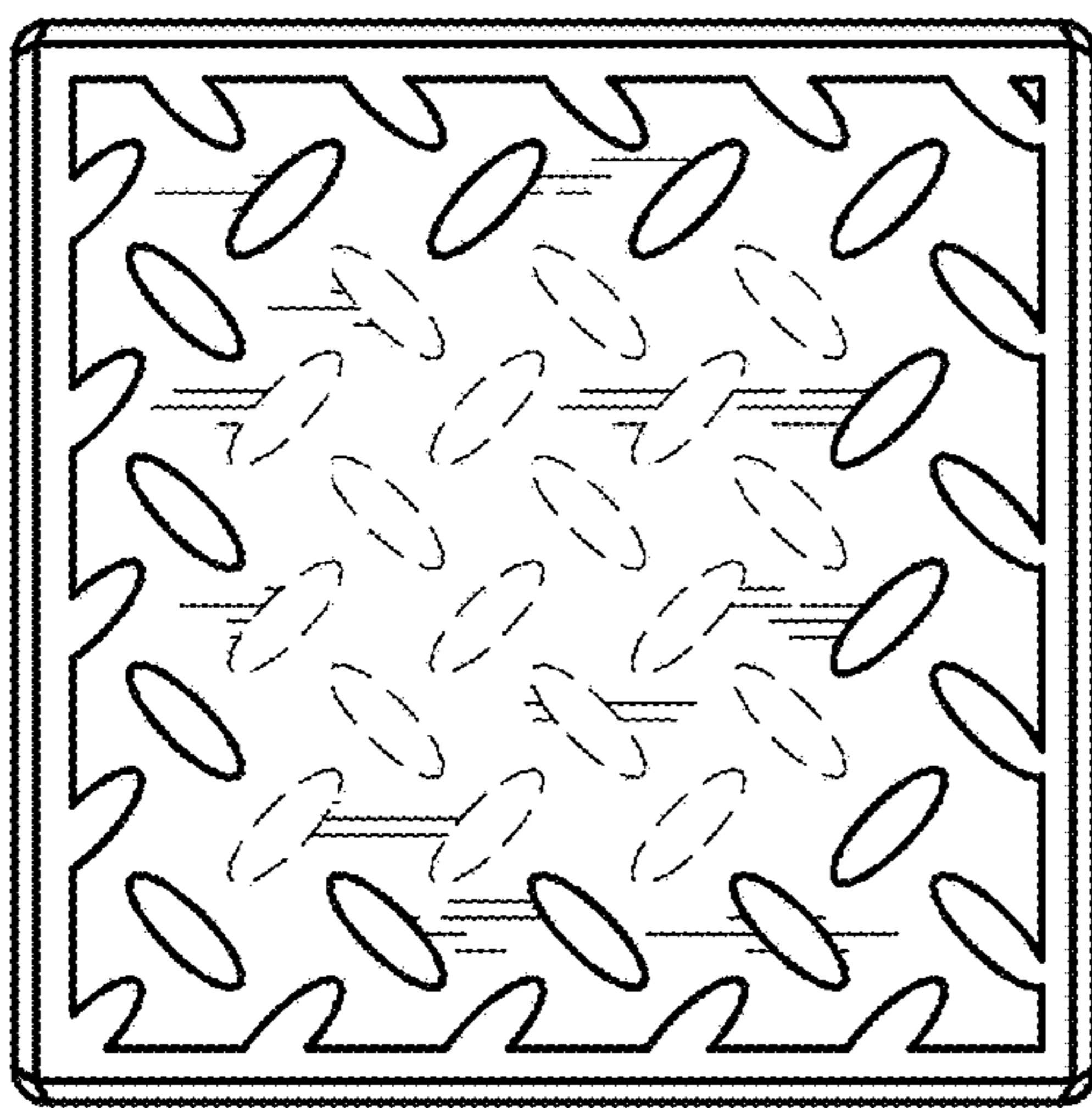


FIG. 11

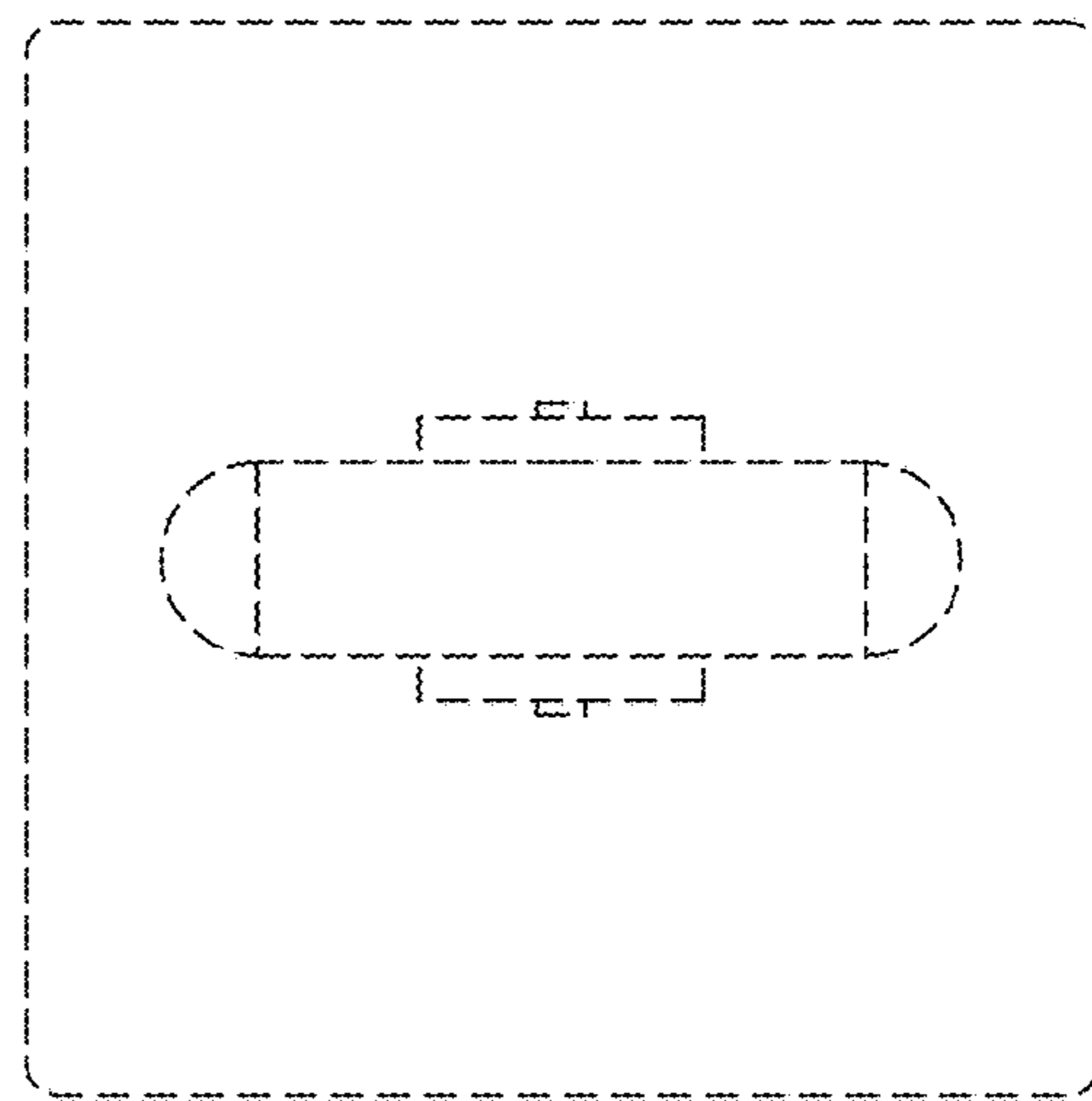


FIG. 12

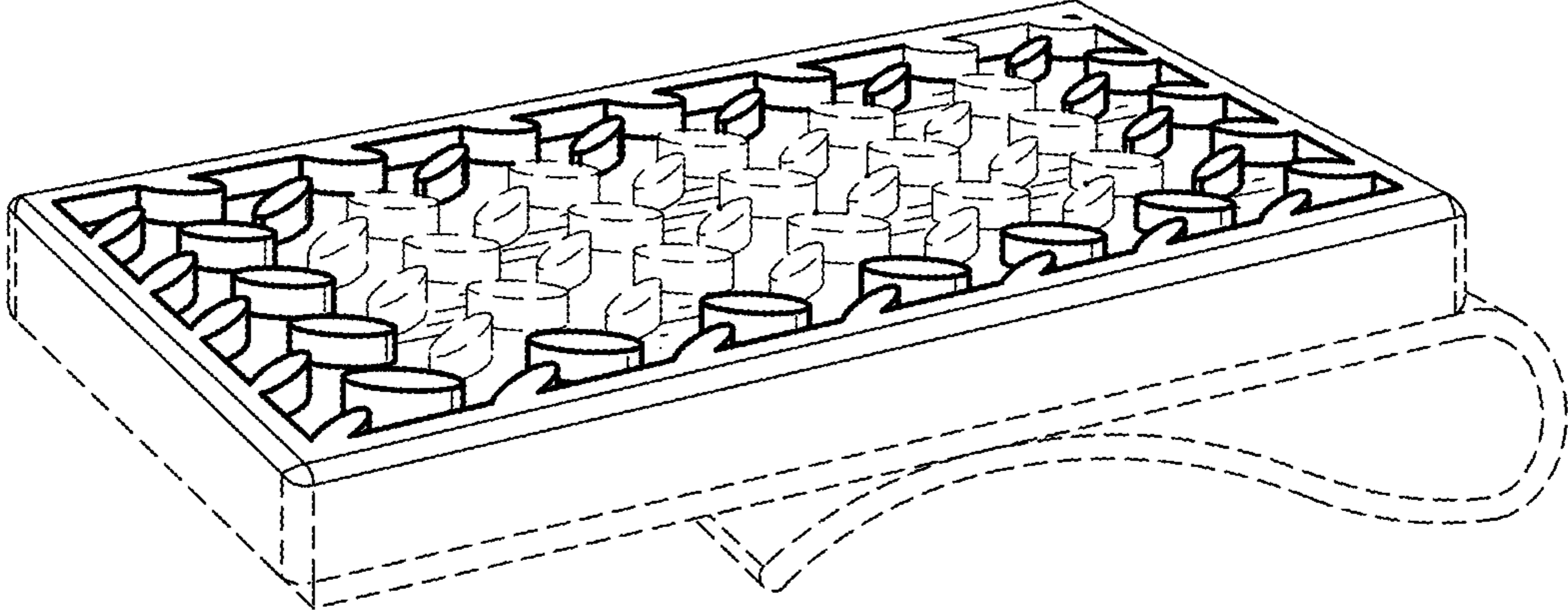


FIG. 13

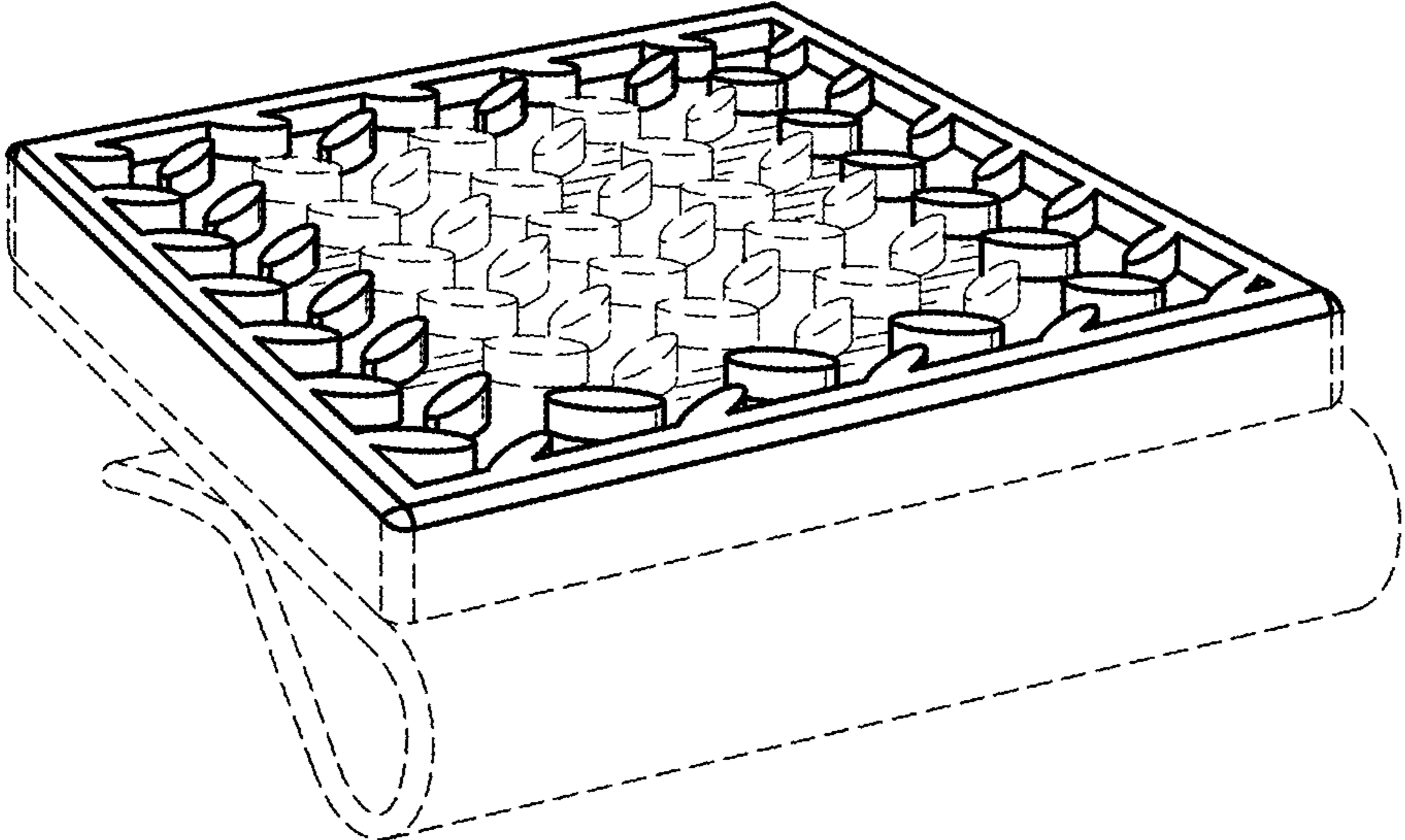


FIG. 14

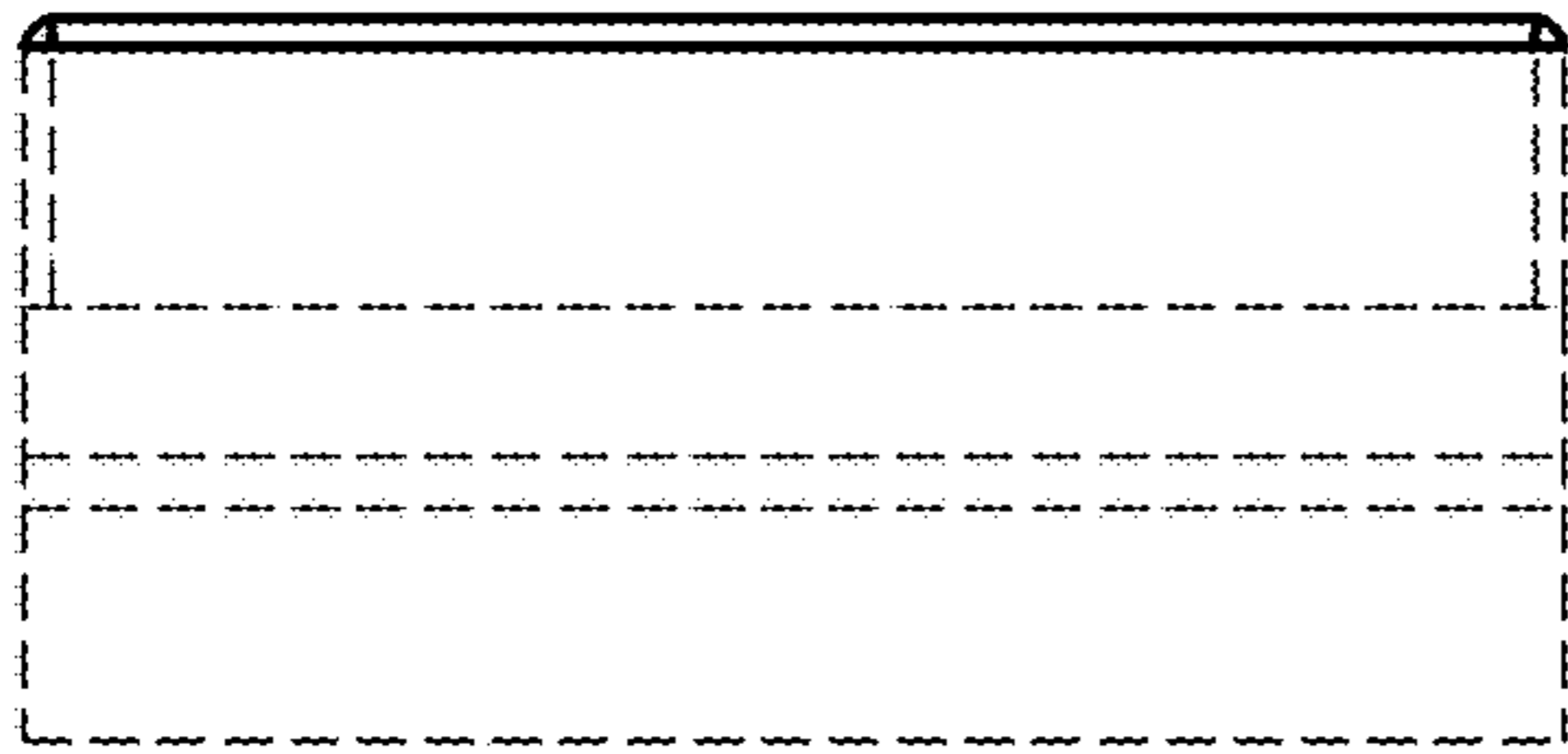


FIG. 15

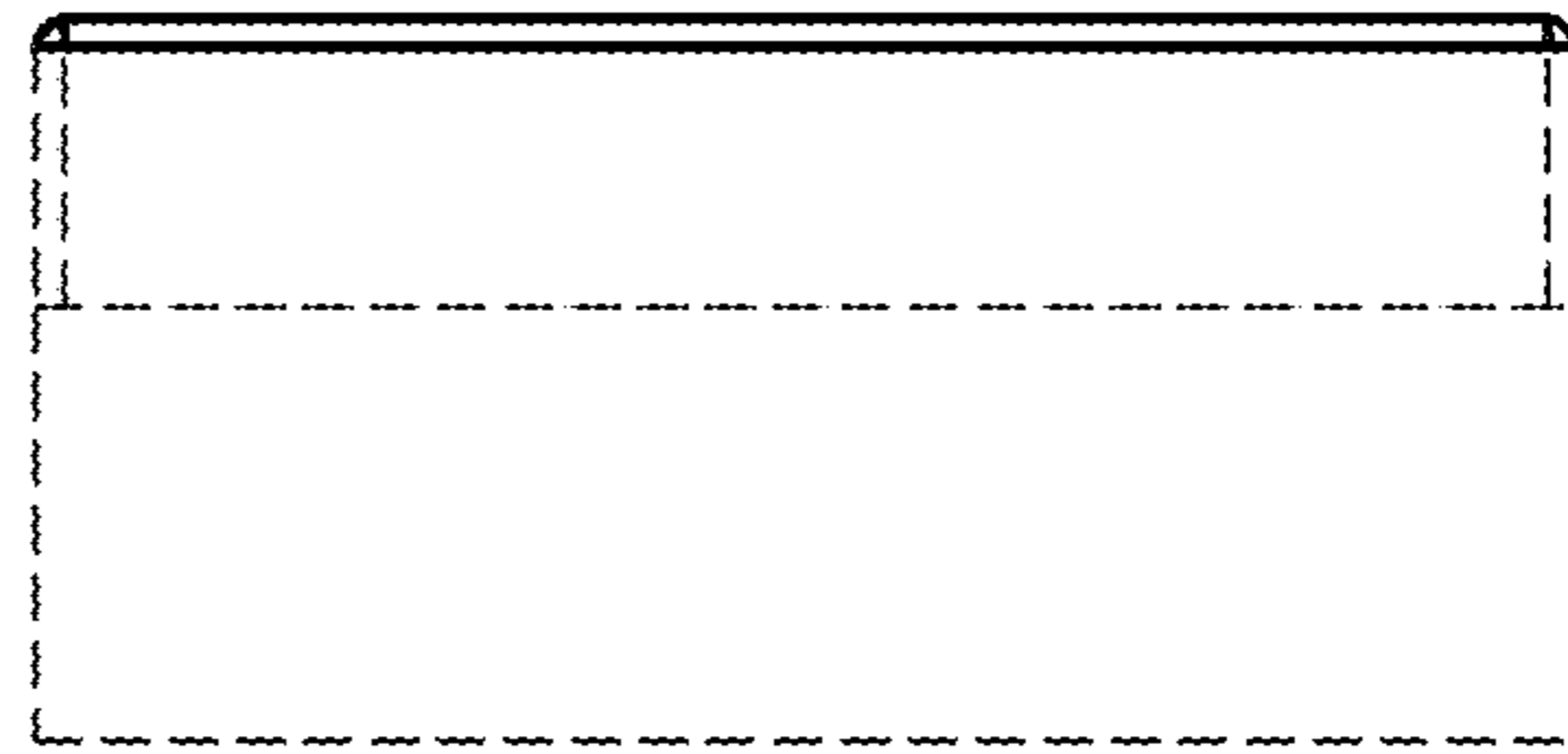


FIG. 16

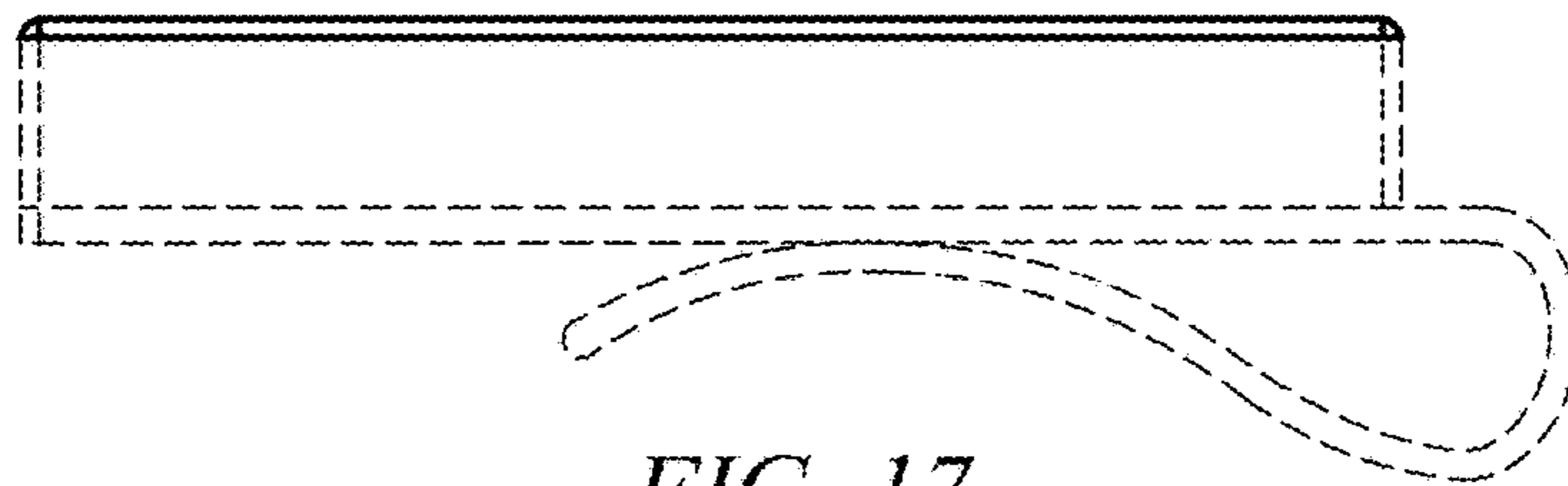


FIG. 17

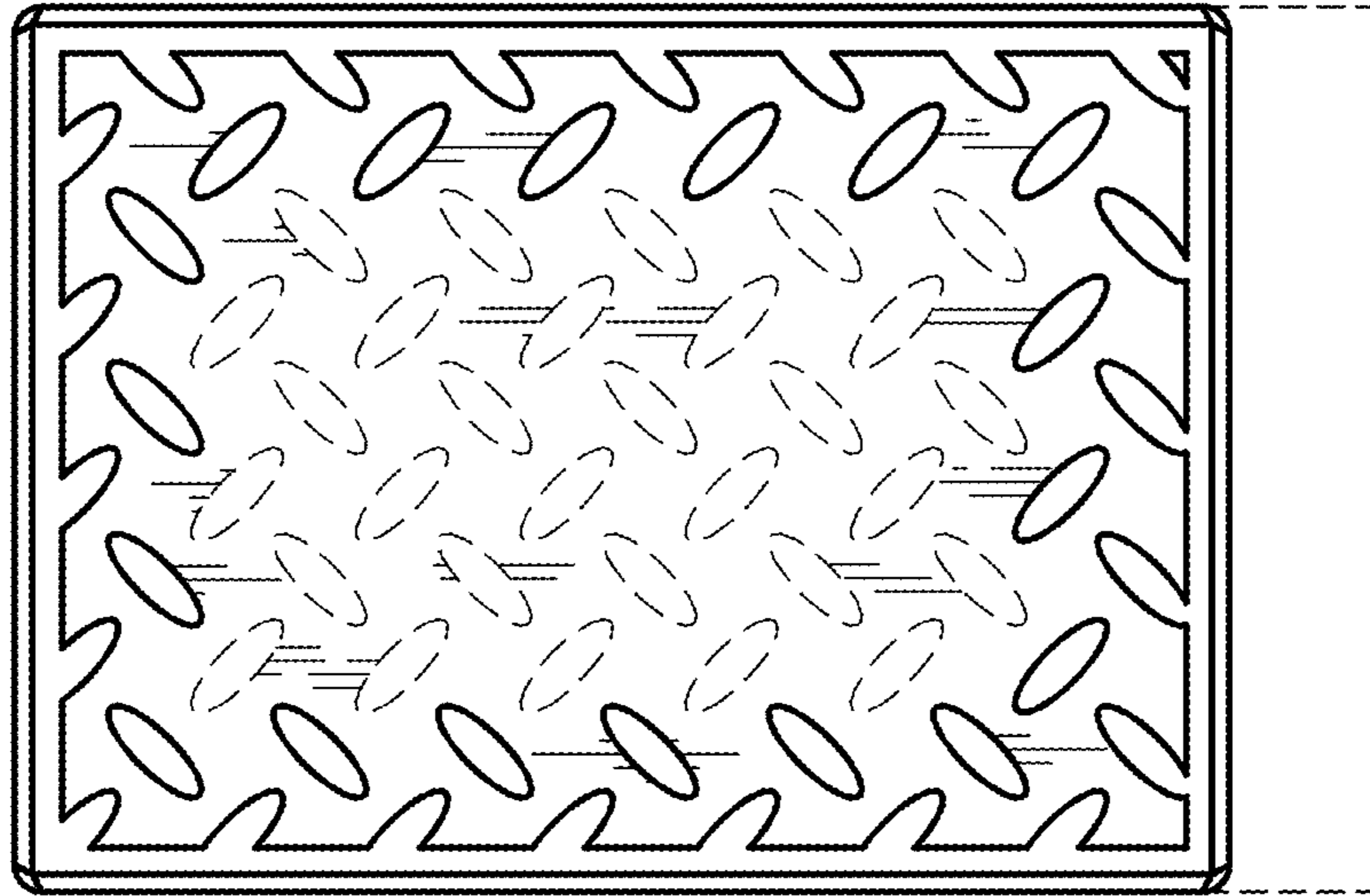


FIG. 18

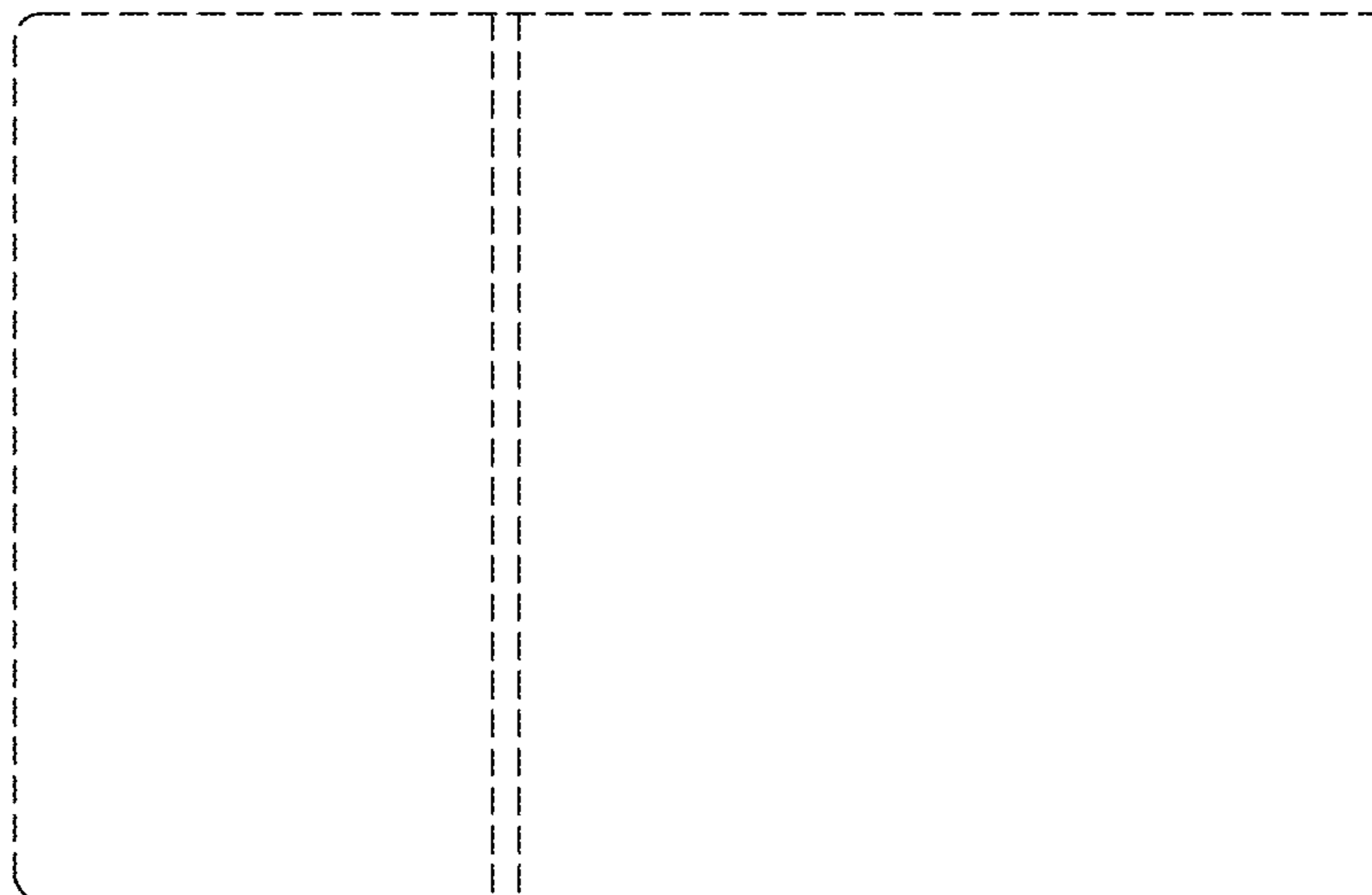


FIG. 19

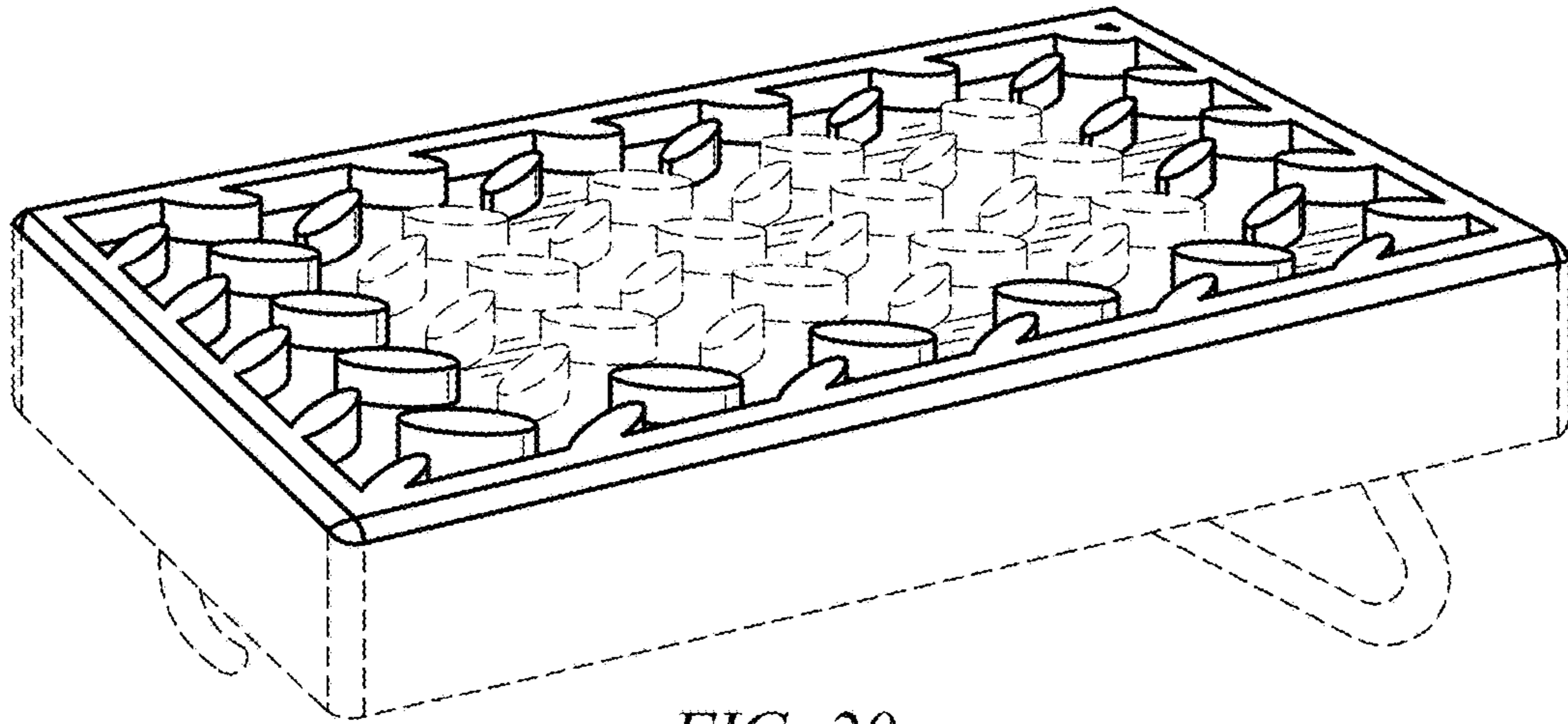


FIG. 20

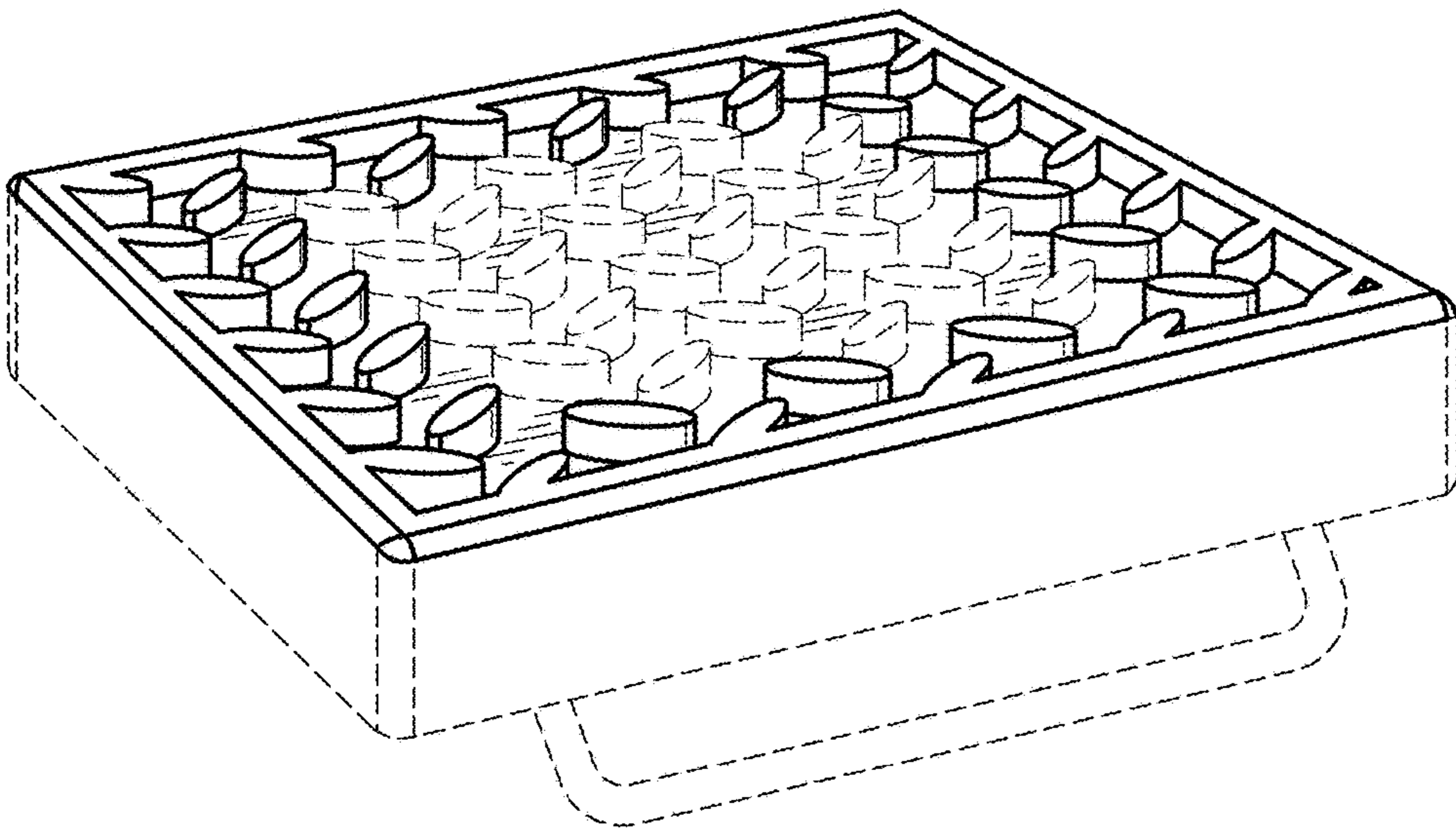


FIG. 21

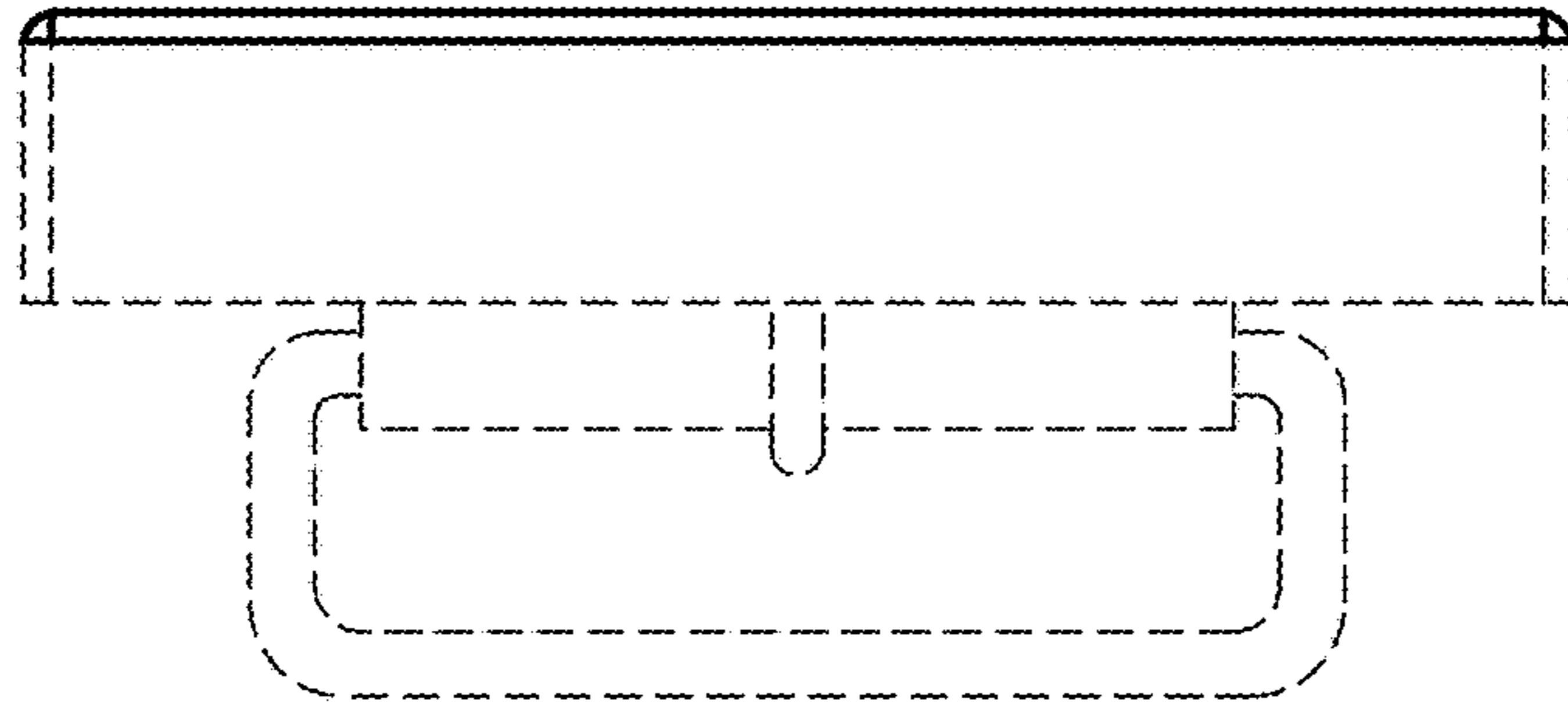


FIG. 22

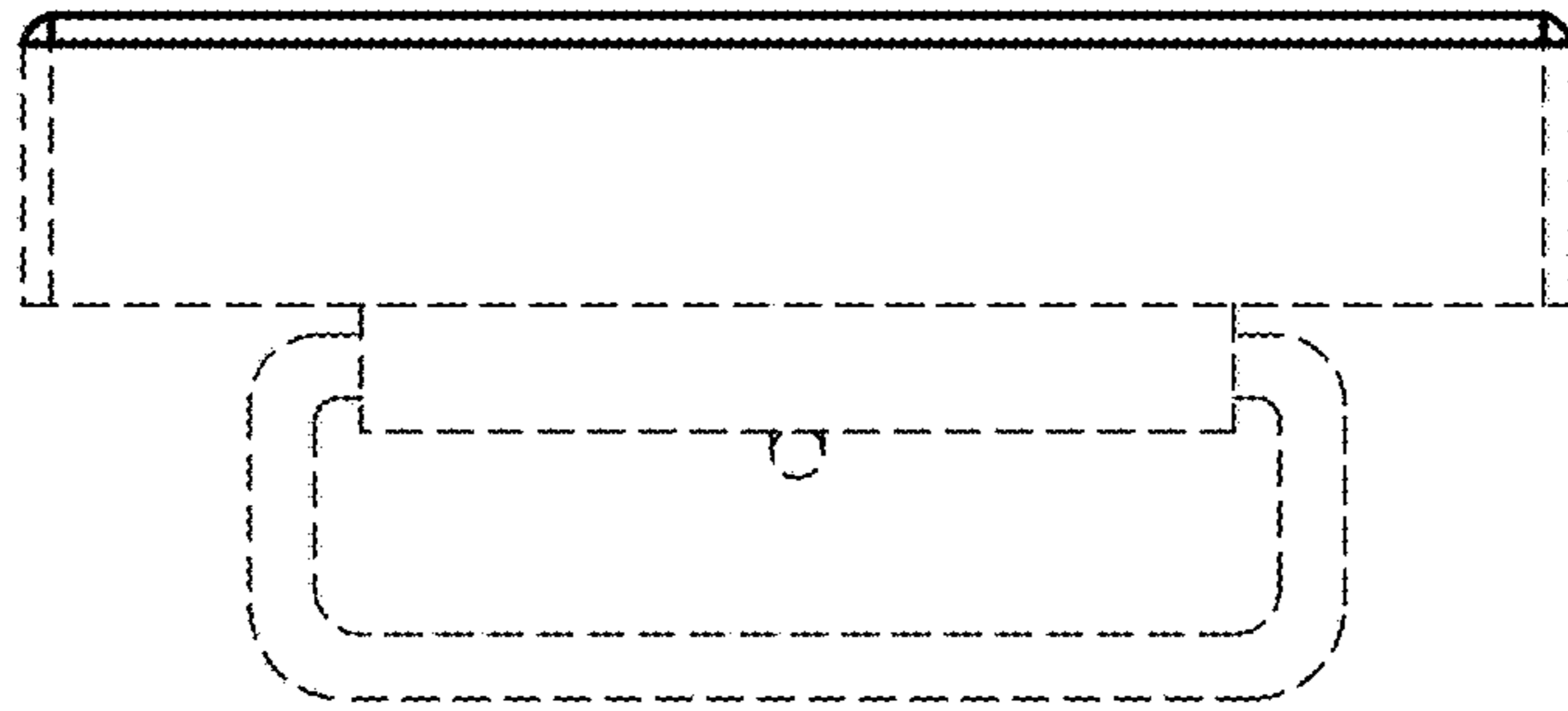


FIG. 23

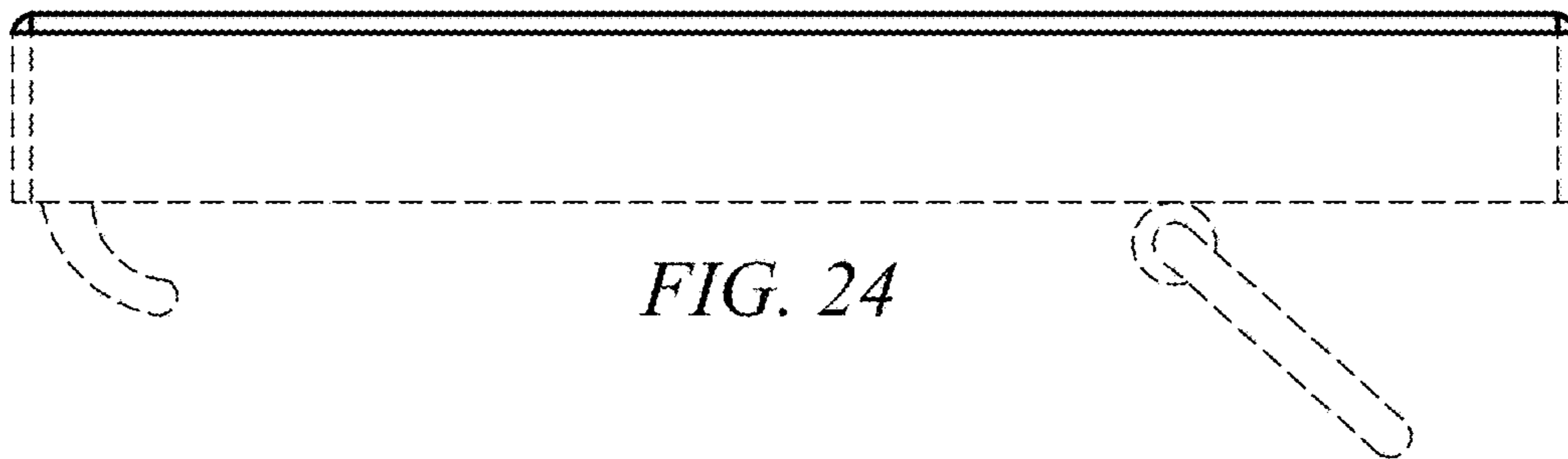


FIG. 24

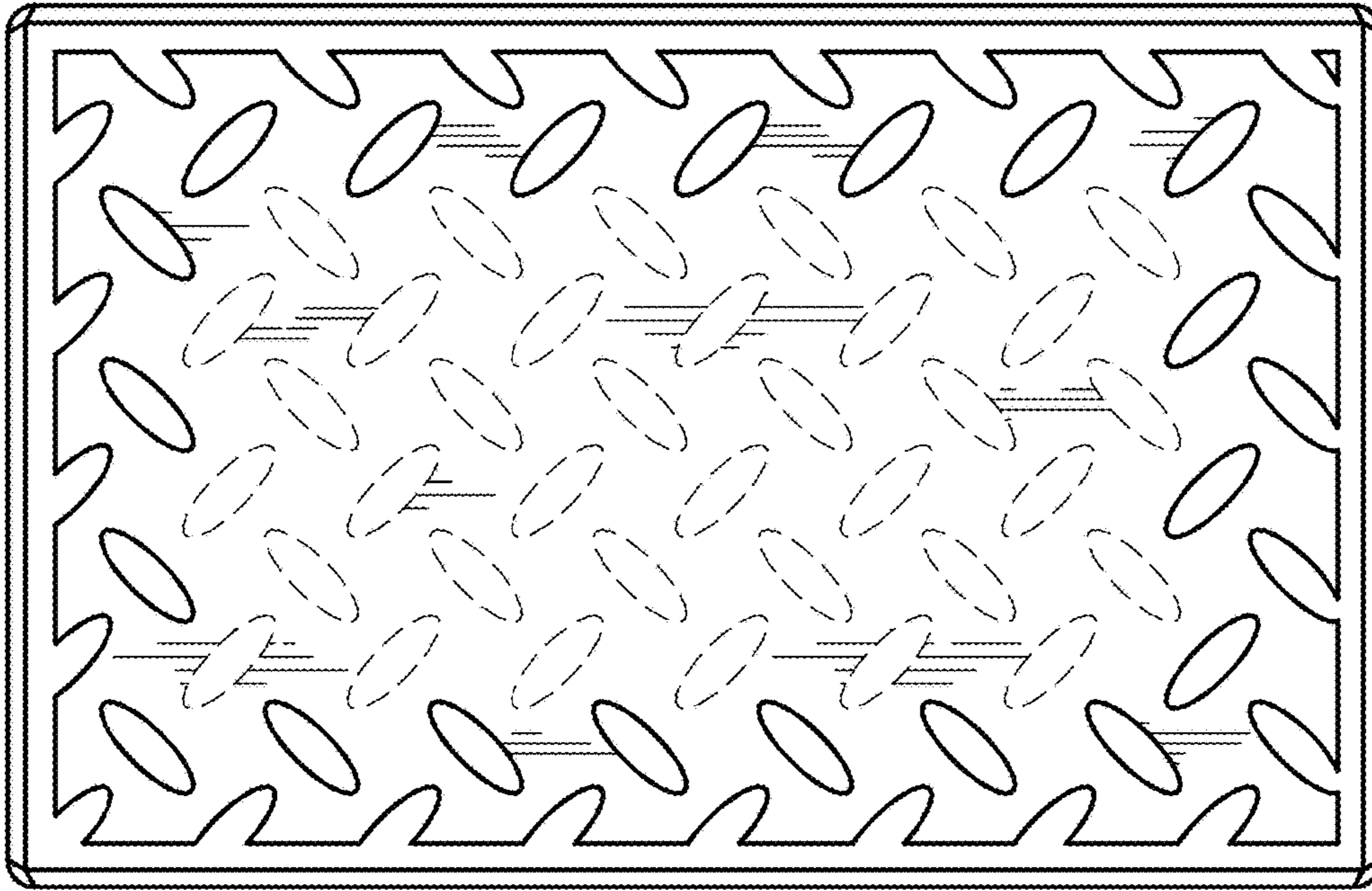


FIG. 25

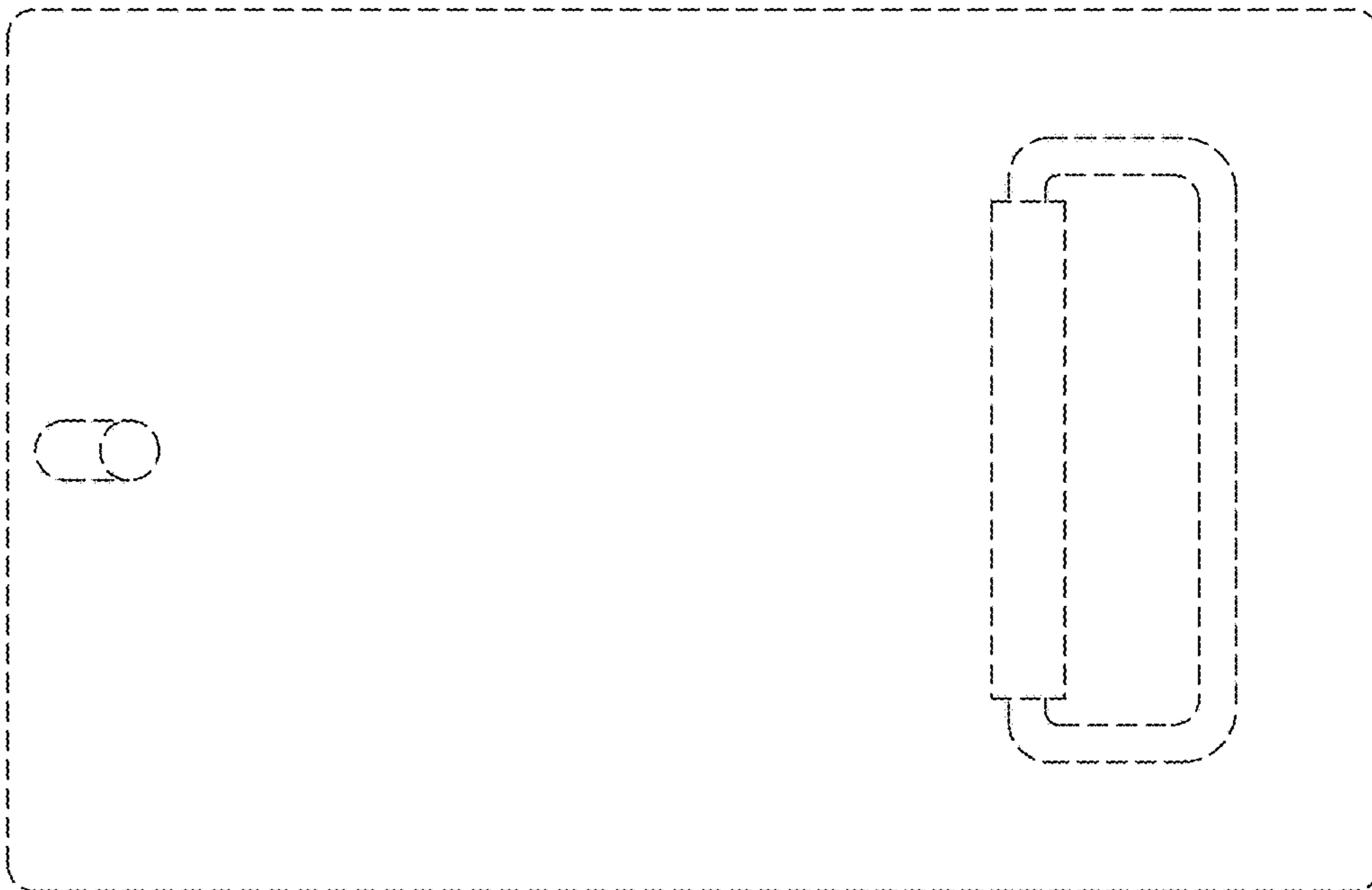


FIG. 26

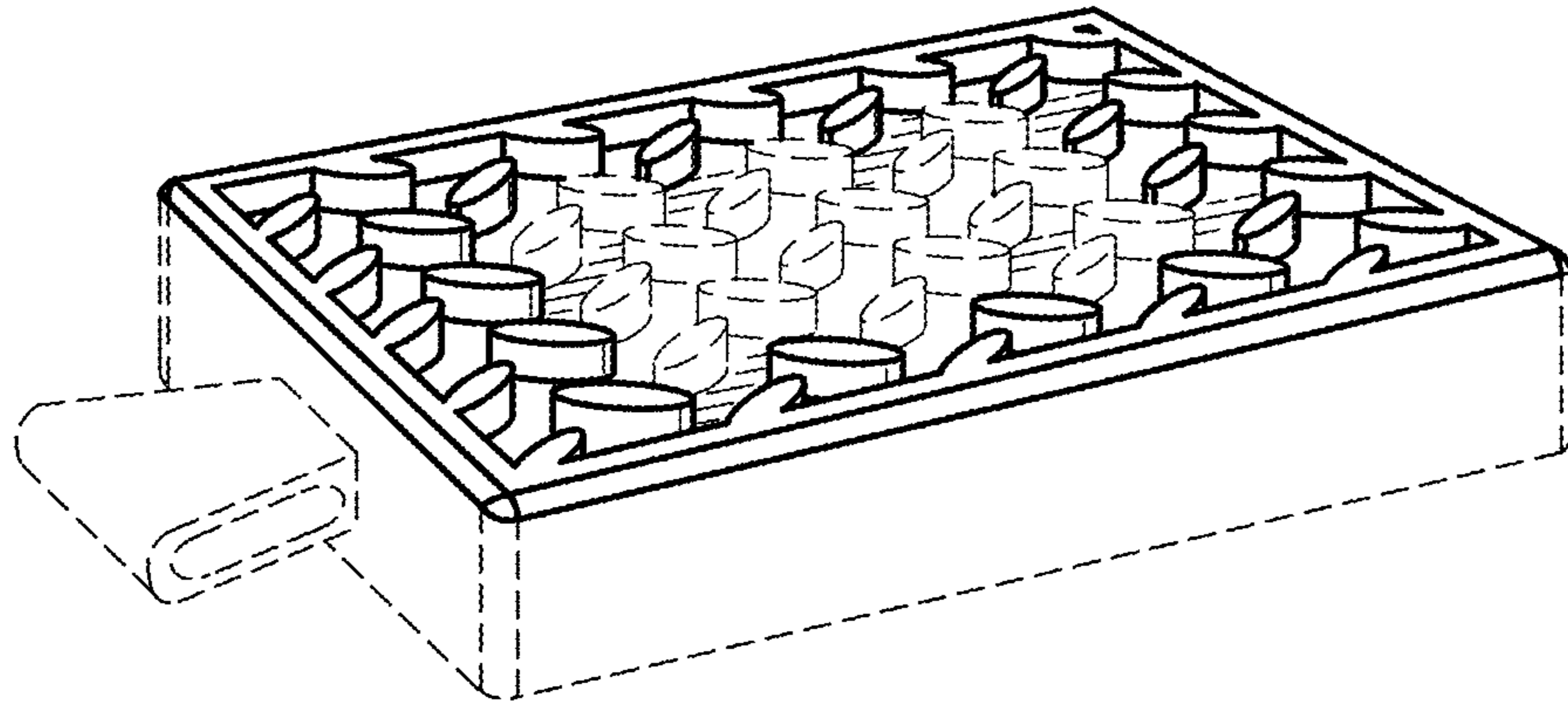


FIG. 27

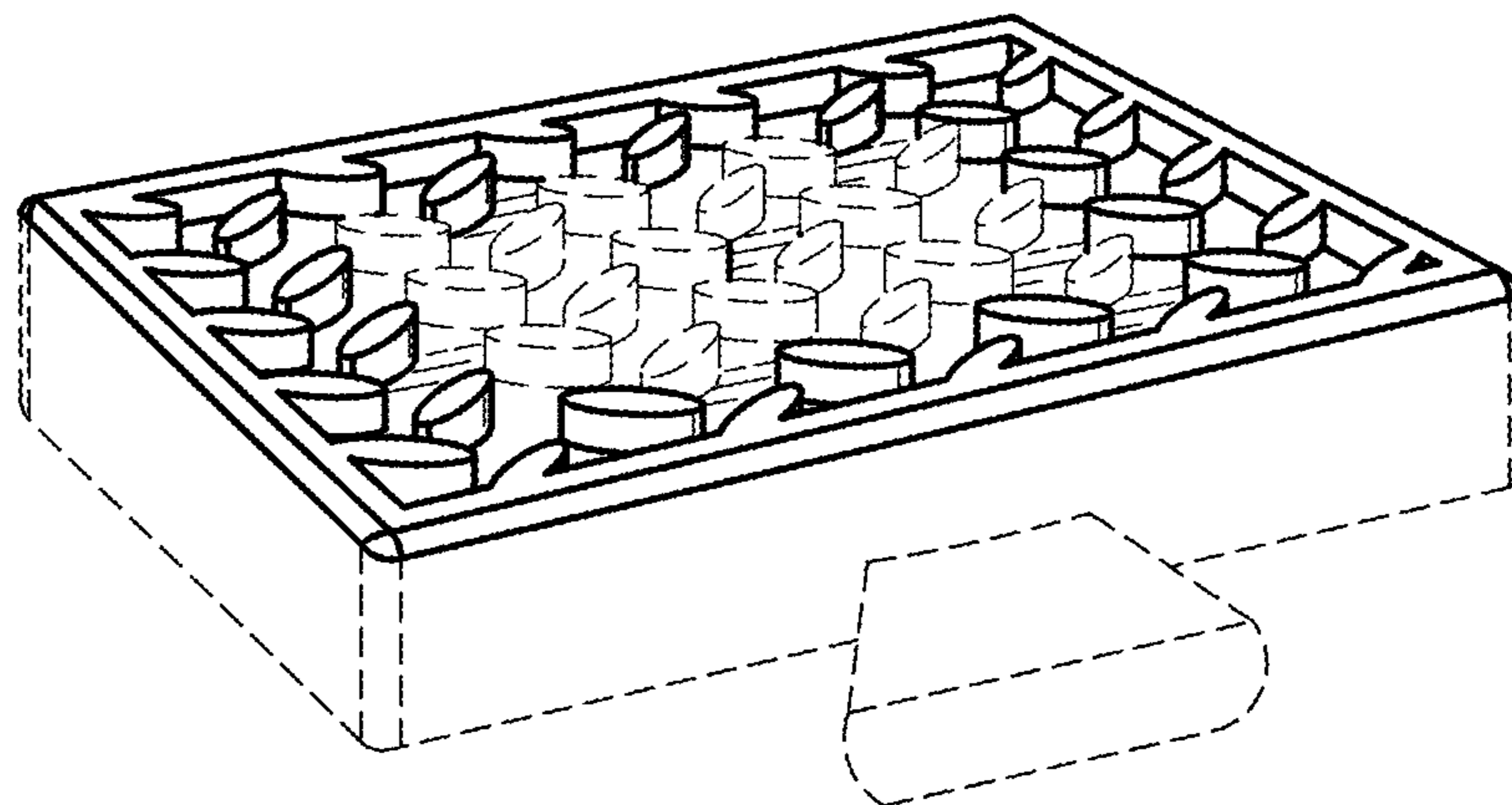


FIG. 28

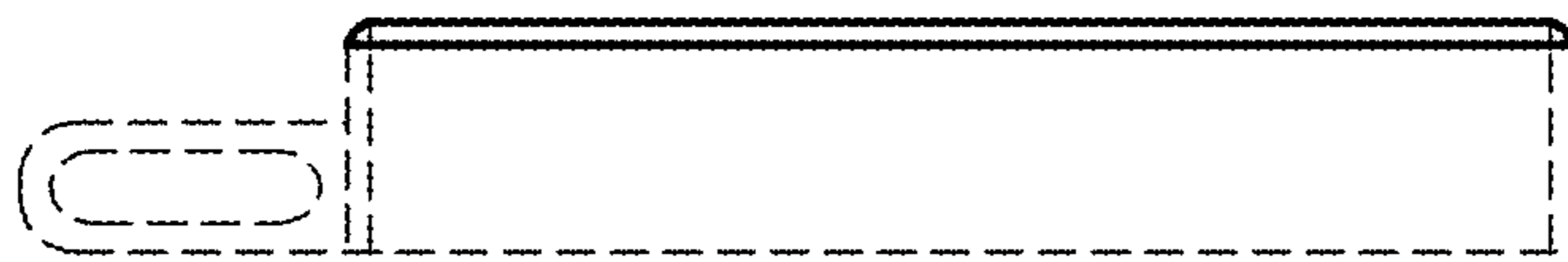


FIG. 29



FIG. 30

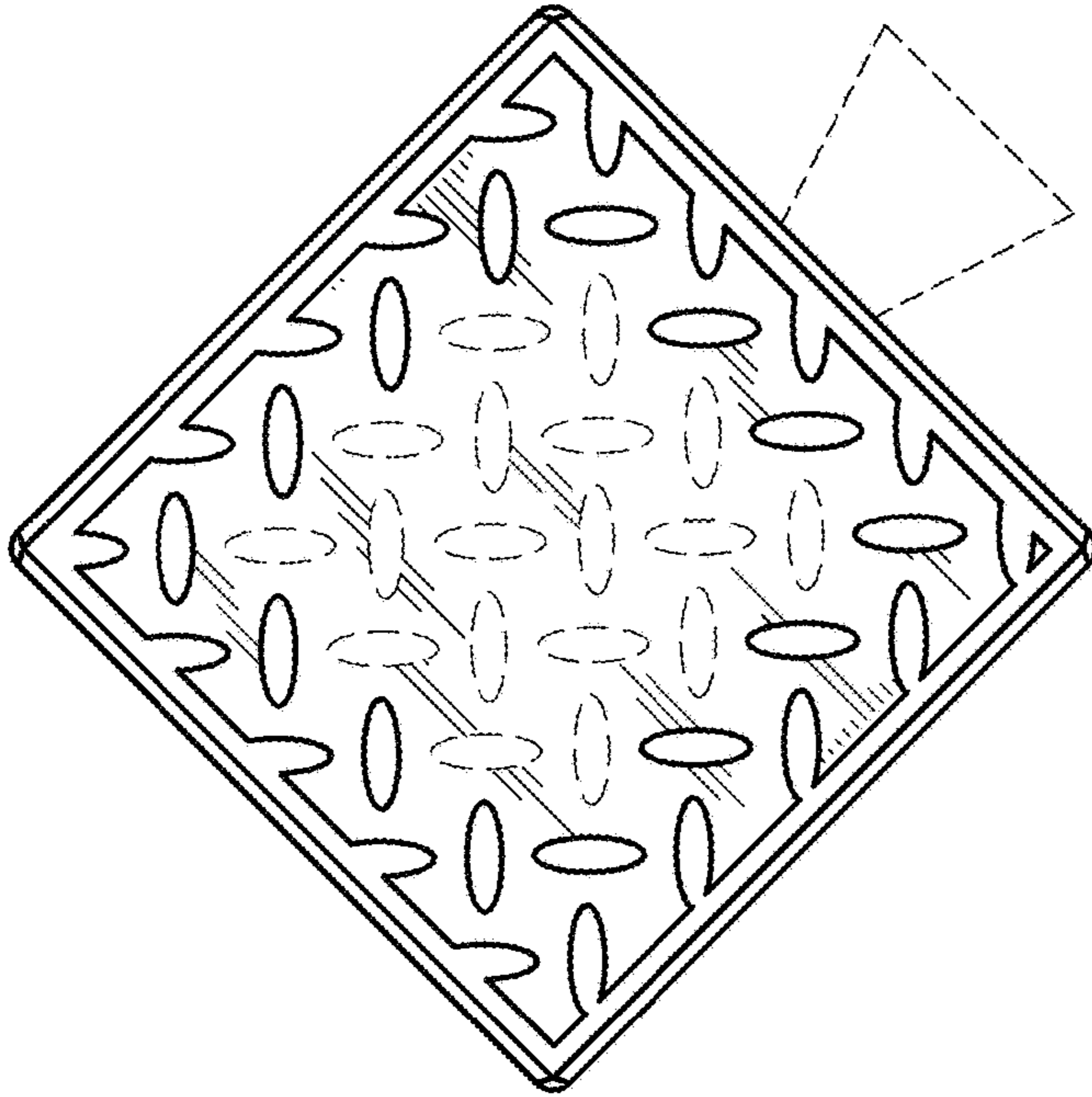


FIG. 31

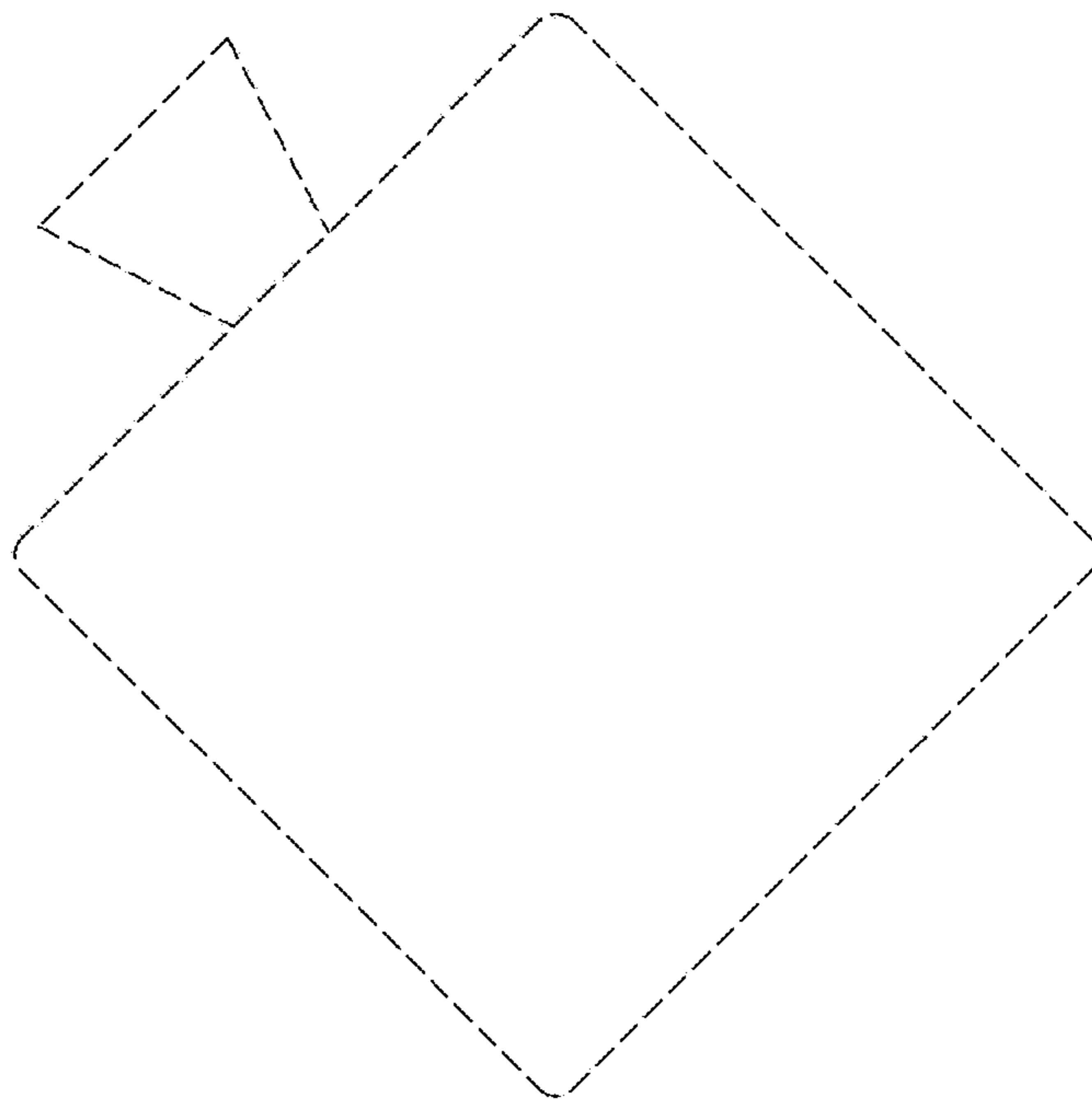


FIG. 32