



US00D835535S

(12) **United States Design Patent** (10) **Patent No.:** **US D835,535 S**
Deyaf et al. (45) **Date of Patent:** **** Dec. 11, 2018**

- (54) **LIGHT BAR**
- (71) Applicant: **SpeedTech Lights, Inc.**, Buda, TX (US)
- (72) Inventors: **Malik Deyaf**, Buda, TX (US); **Mostafa Abdallah**, Buda, TX (US)
- (73) Assignee: **SpeedTech Lights, Inc.**, Buda, TX (US)
- (**) Term: **15 Years**
- (21) Appl. No.: **29/659,505**
- (22) Filed: **Aug. 9, 2018**
- (51) **LOC (11) Cl.** **10-05**
- (52) **U.S. Cl.**
USPC **D10/114.4**
- (58) **Field of Classification Search**
USPC D10/114.4
CPC F21W 2101/02; F21W 2101/10; F21W 2101/14
See application file for complete search history.

D649,077 S	11/2011	Deyaf	
D650,716 S	12/2011	Deyaf	
D651,927 S	1/2012	Kuo	
D652,753 S	1/2012	Deyaf	
D658,526 S *	5/2012	Shin	D10/114.4
8,342,725 B2	1/2013	Stein et al.	
D703,082 S	4/2014	Deyaf	
8,939,626 B2	1/2015	Grote, Jr. et al.	
D729,095 S *	5/2015	Chiang	D10/114.4
D737,713 S	9/2015	Deyaf	
D750,523 S	3/2016	Yu	
D751,443 S	3/2016	Deyaf	
D751,445 S	3/2016	Goltche	
D752,466 S	3/2016	Deyaf	
D753,006 S	4/2016	Deyaf	
D793,891 S *	8/2017	Deyaf	D10/114.4
D795,114 S *	8/2017	Deyaf	D10/114.4
2007/0197084 A1	8/2007	Darolfi et al.	
2009/0116257 A1	5/2009	Rosemeyer et al.	

* cited by examiner

Primary Examiner — George D. Kirschbaum

(57) **CLAIM**

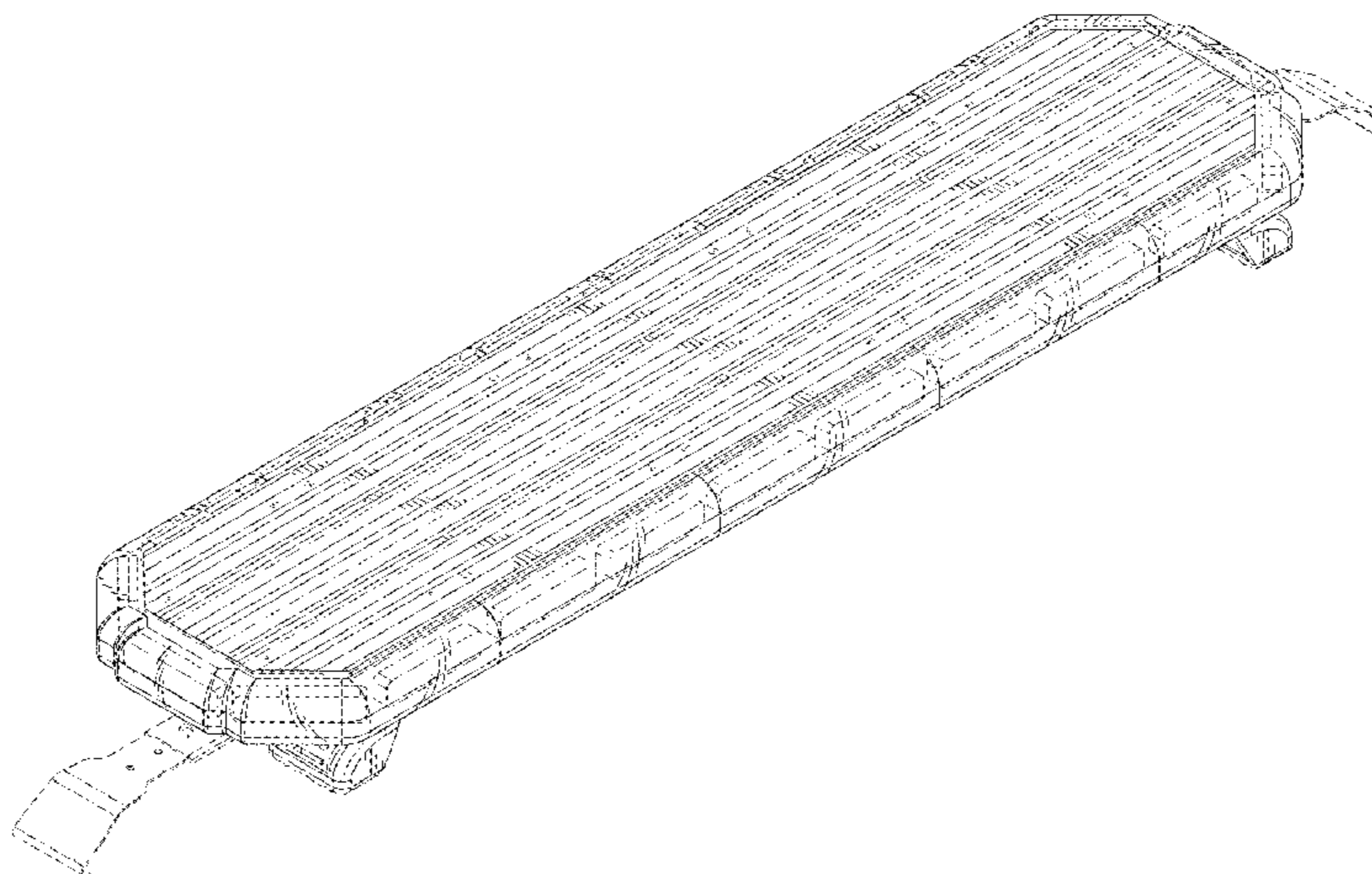
The ornamental design for a light bar, as shown and described.

DESCRIPTION

FIG. 1 is a front perspective view of a light bar showing our new design;
 FIG. 2 is a front view thereof;
 FIG. 3 is a back view thereof;
 FIG. 4 is a right side view thereof;
 FIG. 5 is a left side view thereof;
 FIG. 6 is a top view thereof;
 FIG. 7 is a bottom view thereof; and,
 FIG. 8 is a rear perspective view thereof.
 The broken lines included illustrate portions of light bar that form no part of the claimed design.

1 Claim, 5 Drawing Sheets

- (56) **References Cited**
U.S. PATENT DOCUMENTS
- D326,621 S 6/1992 Jincks et al.
- D410,402 S 6/1999 Stein et al.
- D476,253 S 6/2003 Stein et al.
- D585,318 S 1/2009 Jalala
- D602,391 S 10/2009 Stein et al.
- D610,932 S 3/2010 Shin
- D613,632 S 4/2010 Shin
- D614,987 S 5/2010 Kaffash
- D617,227 S 6/2010 Cai
- D626,023 S 10/2010 Shin
- D633,404 S 3/2011 Brooking et al.
- D637,509 S 5/2011 Shin



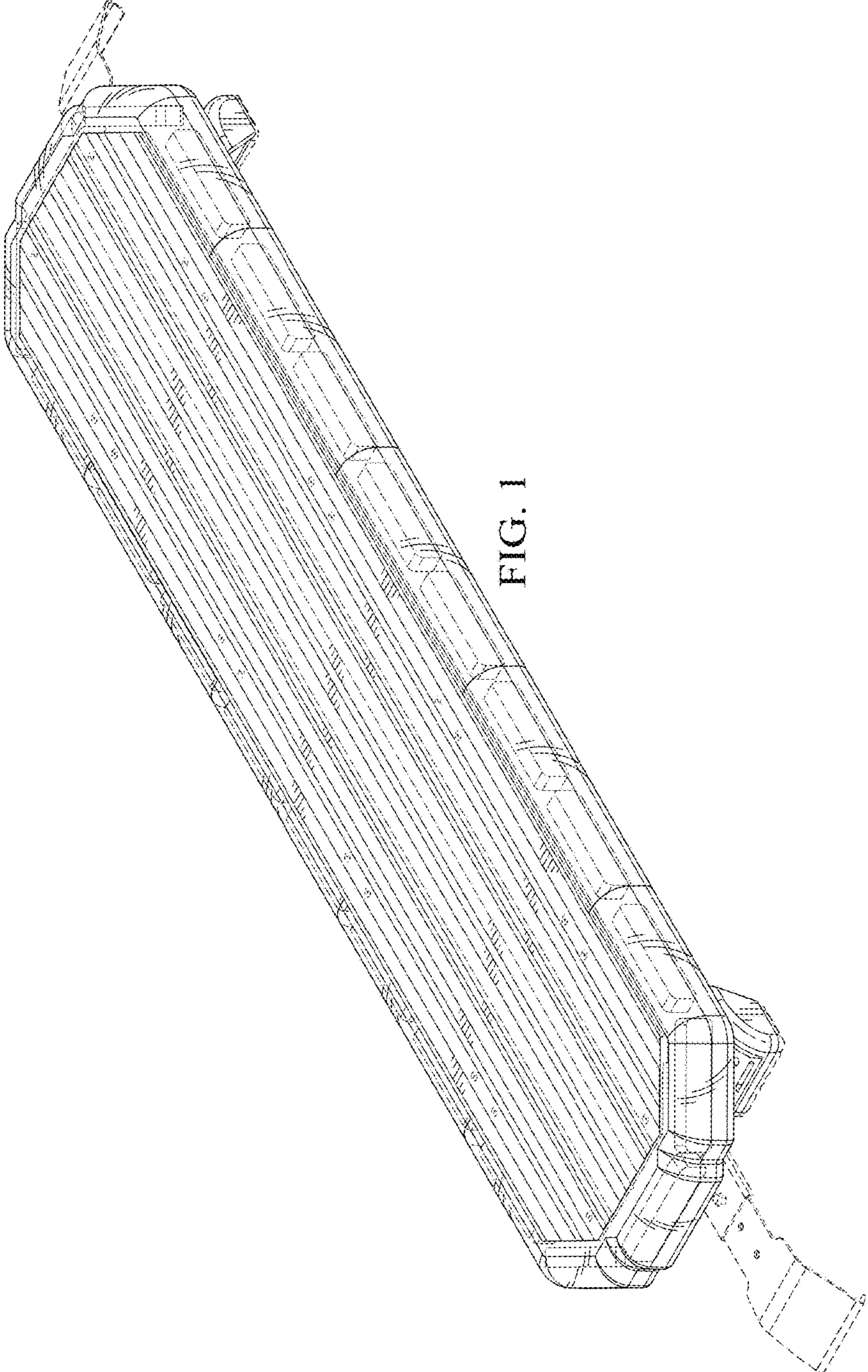
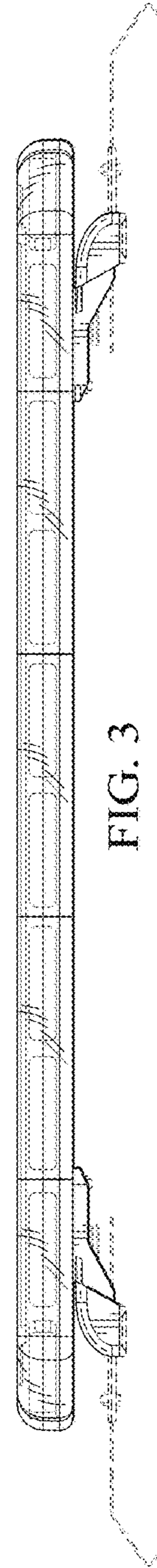
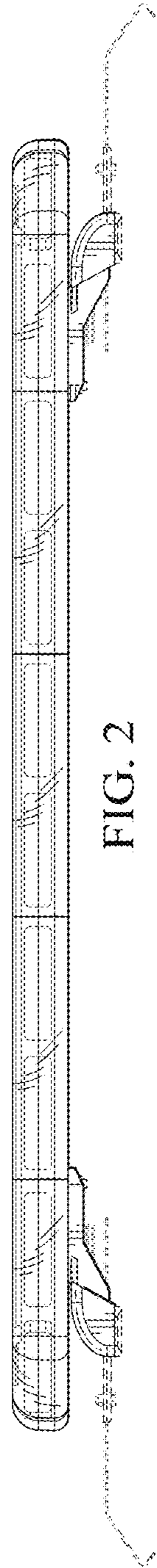


FIG. 1



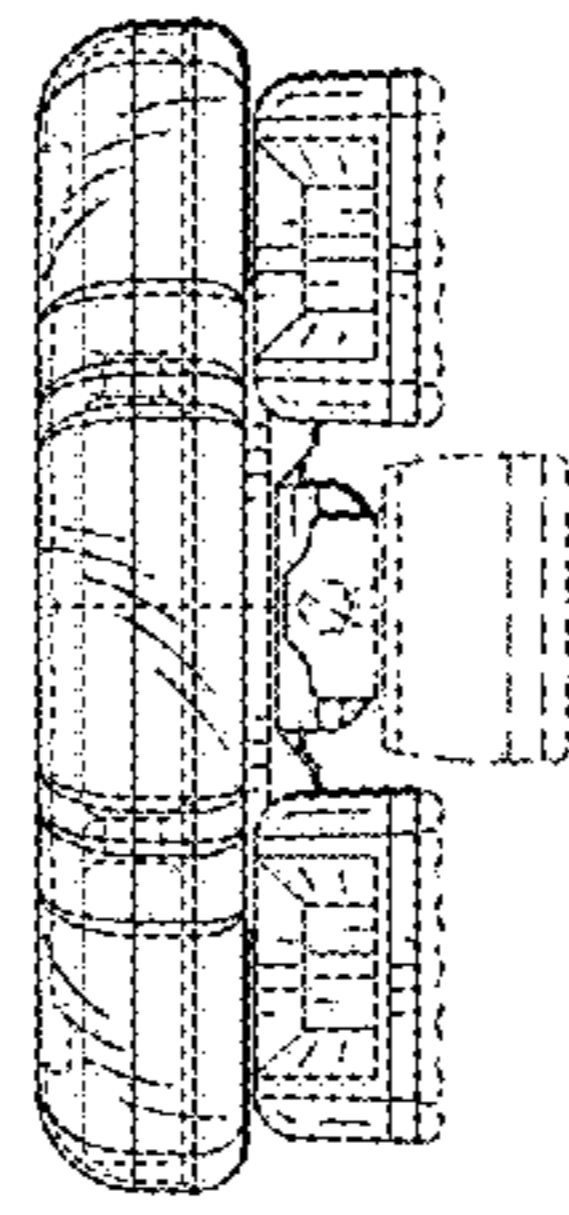


FIG. 5

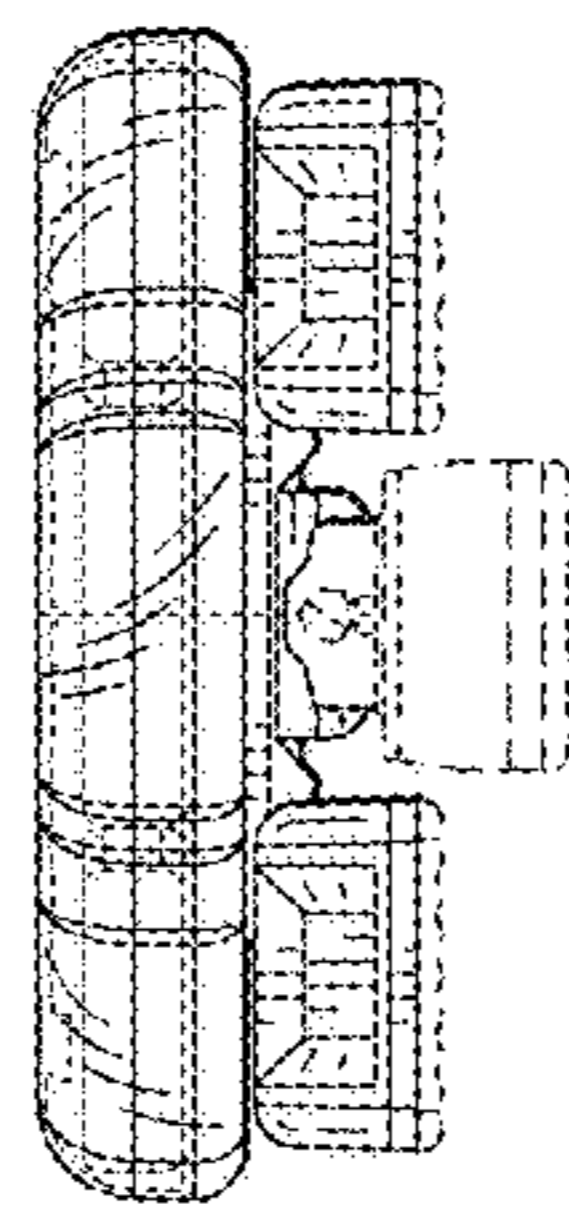


FIG. 4

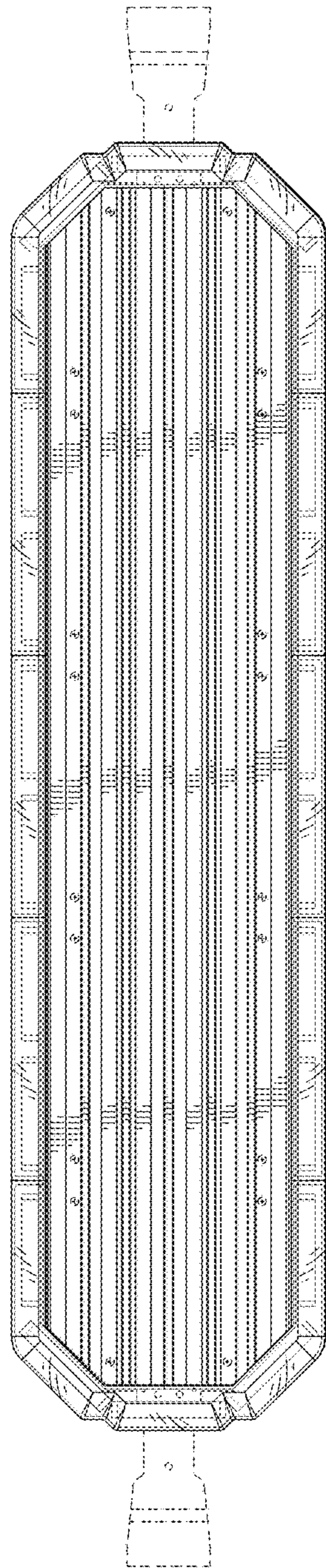


FIG. 6

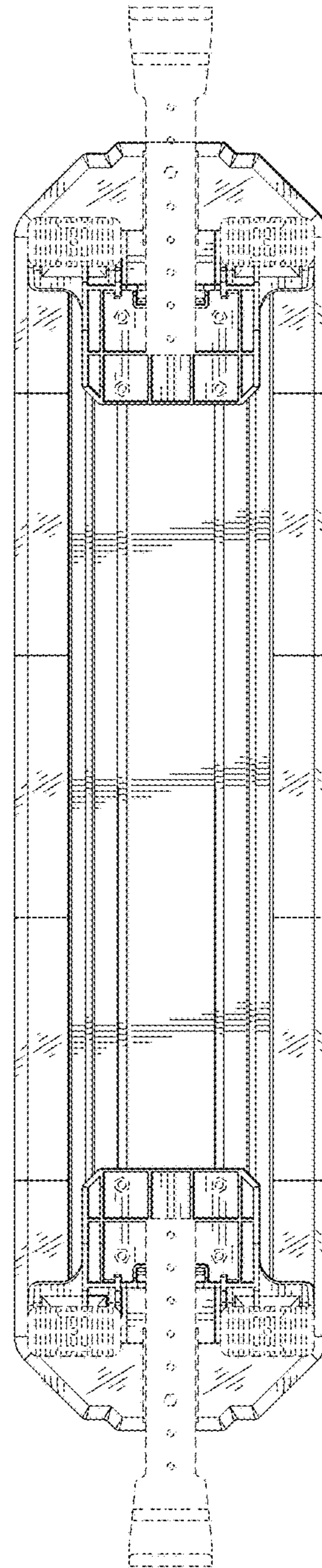


FIG. 7

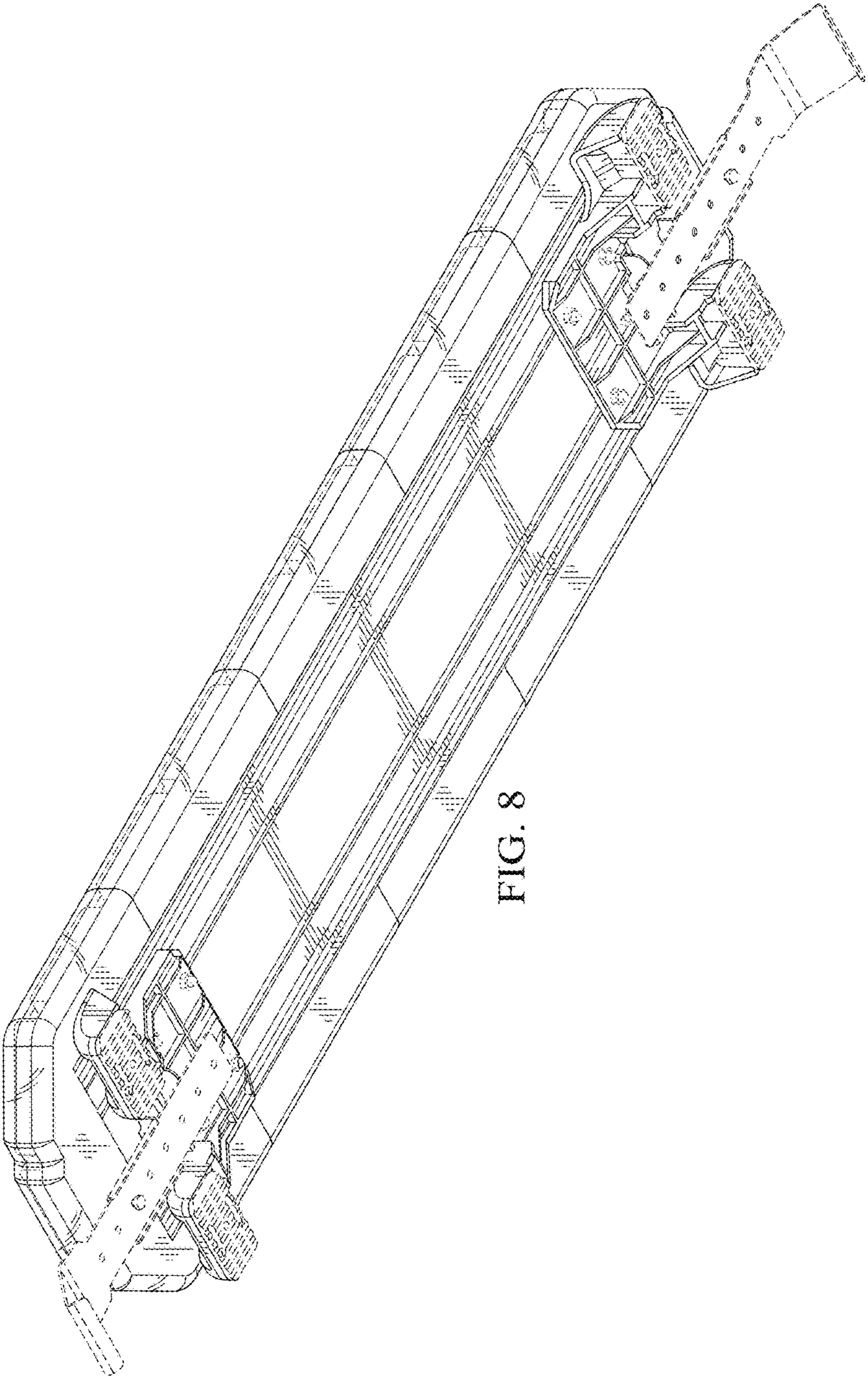


FIG. 8