



US00D835533S

(12) **United States Design Patent**  
**Zheng**

(10) **Patent No.:** **US D835,533 S**

(45) **Date of Patent:** **\*\* Dec. 11, 2018**

(54) **SPORTS BRACELET**

(71) Applicant: **SHENZHEN LOOKCARE  
INDUSTRY CO., LTD.**, Shenzhen,  
Guangdong (CN)

(72) Inventor: **YongJian Zheng**, Guangdong (CN)

(73) Assignee: **SHENZHEN LOOKCARE  
INDUSTRY CO., LTD.** (CN)

(\*\*) Term: **15 Years**

(21) Appl. No.: **29/619,011**

(22) Filed: **Sep. 26, 2017**

(51) **LOC (11) Cl.** ..... **10-04**

(52) **U.S. Cl.**  
USPC ..... **D10/70; D10/38; D10/78; D10/97;  
D14/344; D24/167; D24/186**

(58) **Field of Classification Search**  
USPC ..... **D10/30, 31, 32, 38, 39, 70, 78, 97, 98;  
D14/203.5, 344; D24/167, 186**  
CPC ..... **G04B 19/00–19/34; G04B 21/12; G04B  
23/12; G04B 37/00–37/228; G04B  
47/00–47/068; G04B 45/0069; G01C  
17/00; G01C 21/00–21/3697; G01C  
22/00–22/025; G01C 23/00–23/005; G06F  
19/3481; G06F 3/00–3/027; G06F 1/163;  
G01P 1/00–1/26; G01P 15/00–15/18;  
A63B 24/00–24/0096; A63B 2213/00;  
A63B 69/0028; A63B  
2071/0658–2071/0666; A63B  
2220/00–2220/89; A63B 2225/02; A63C  
11/02; A61B 5/681; A61B 5/6824; A61B  
5/6825; A61B 5/6826; A61B 5/0537;  
A61B 5/4872; A61B 5/6831; A61B  
5/4869; A61B 5/0858; A61B 5/1075;  
A61B 5/107; A61B 5/4875; A61B  
5/4878; A61B 5/4881; A61B  
5/61–5/6898; A44C 5/00–5/16; G04R  
20/02; G04C 10/00; G04C 10/02; G08B**

21/0269; G08B 21/0272; G08B 21/0286;  
G08B 21/0288; G08B 21/0291; G08B  
21/04–21/2454; G01S 19/00–19/55;  
G04G 9/0064; G04G 9/0005  
See application file for complete search history.

(56) **References Cited**

**U.S. PATENT DOCUMENTS**

D528,439	S	*	9/2006	Burton	.....	D10/32
D528,928	S	*	9/2006	Burton	.....	D10/38
D584,120	S	*	1/2009	Smith	.....	D8/50
D728,624	S	*	5/2015	Akana	.....	D14/496
D737,158	S	*	8/2015	Akana	.....	D10/32
D741,726	S	*	10/2015	Akana	.....	D10/30
D744,356	S	*	12/2015	Akana	.....	D10/70
D745,421	S	*	12/2015	Akana	.....	D10/32
D756,824	S	*	5/2016	Akana	.....	D10/103
D757,819	S	*	5/2016	Akana	.....	D14/496
D758,363	S	*	6/2016	Akana	.....	D10/30
D759,011	S	*	6/2016	Akana	.....	D14/344
D765,655	S	*	9/2016	Tao	.....	D10/38
D766,752	S	*	9/2016	Akana	.....	D10/30
D771,035	S	*	11/2016	Akana	.....	D14/344

(Continued)

*Primary Examiner* — Antoine Duval Davis

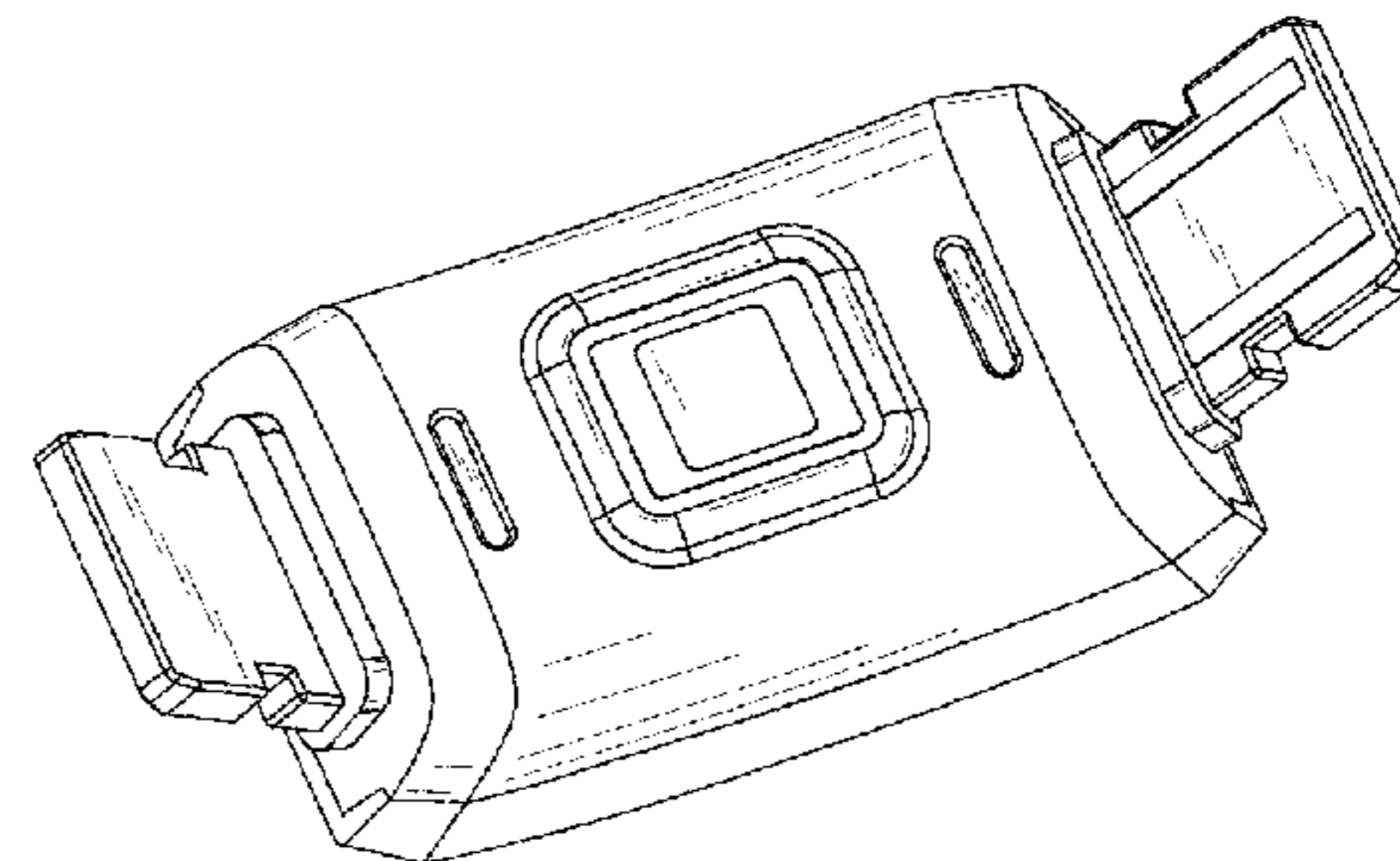
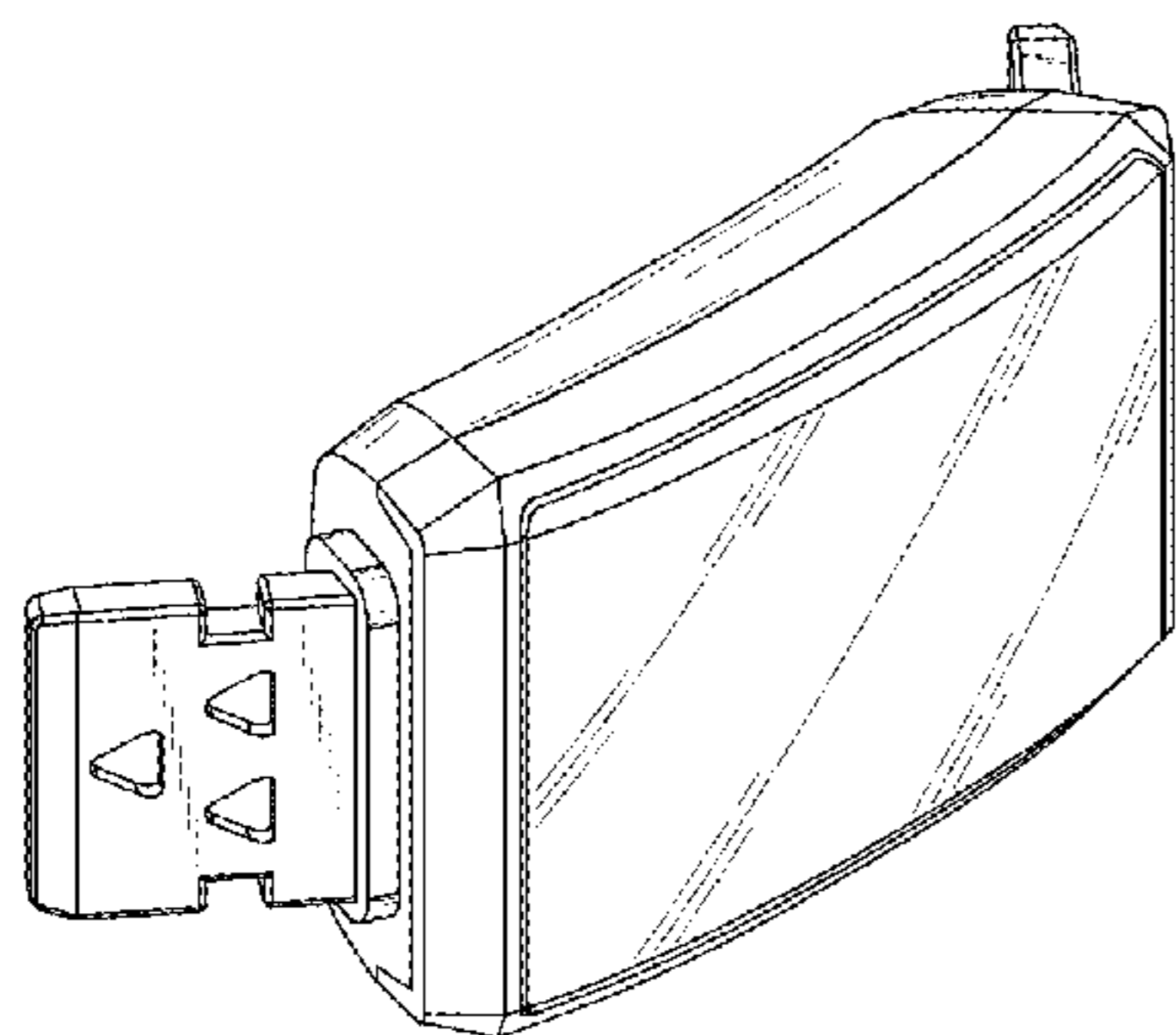
(57) **CLAIM**

The ornamental design for a sports bracelet, as shown and described.

**DESCRIPTION**

FIG. 1 is a front view of the sports bracelet showing our new design;  
FIG. 2 is a back view thereof;  
FIG. 3 is a left side view thereof;  
FIG. 4 is a right side view thereof;  
FIG. 5 is a top view thereof;  
FIG. 6 is a bottom view thereof;  
FIG. 7 is a top perspective view thereof; and,  
FIG. 8 is a bottom perspective view thereof.

**1 Claim, 3 Drawing Sheets**



(56)

**References Cited**

U.S. PATENT DOCUMENTS

9,551,608 B2 \* 1/2017 Cho ..... G01G 9/00  
9,658,347 B2 \* 5/2017 Jacob ..... G01T 1/247  
9,743,695 B2 \* 8/2017 Yoo ..... A61B 5/7435  
D800,172 S \* 10/2017 Akana ..... D14/496  
D802,587 S \* 11/2017 Lee ..... D14/344  
D805,513 S \* 12/2017 Akana ..... D14/344  
D805,929 S \* 12/2017 Akana ..... D10/70  
D806,880 S \* 1/2018 Henning ..... D24/186  
D807,765 S \* 1/2018 Akana ..... D10/70  
D808,961 S \* 1/2018 Lee ..... D14/344  
D809,510 S \* 2/2018 Rochat ..... D14/344  
D813,229 S \* 3/2018 Ling ..... D14/344  
D816,695 S \* 5/2018 Spector ..... D14/486  
10,038,361 B2 \* 7/2018 Hajati ..... G06F 1/163  
D828,352 S \* 9/2018 Akana ..... D14/344

\* cited by examiner

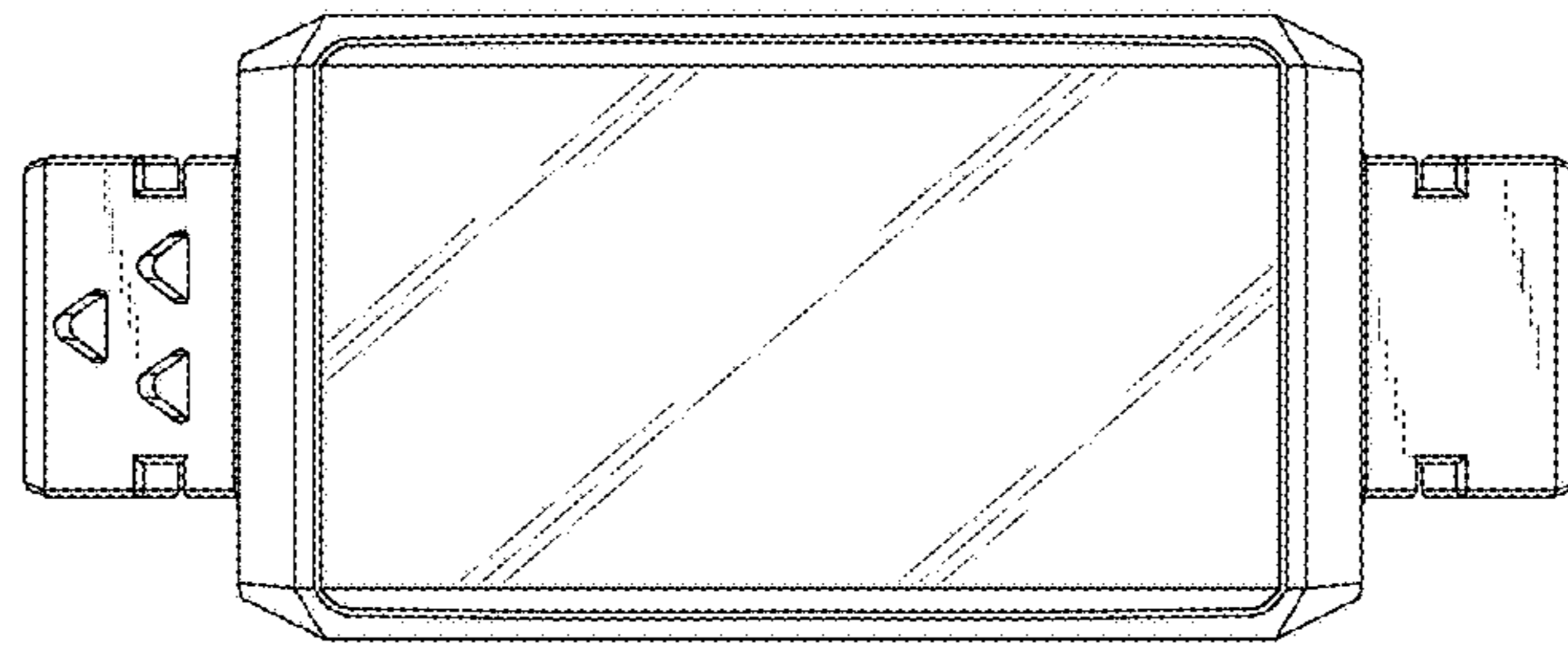


FIG. 1

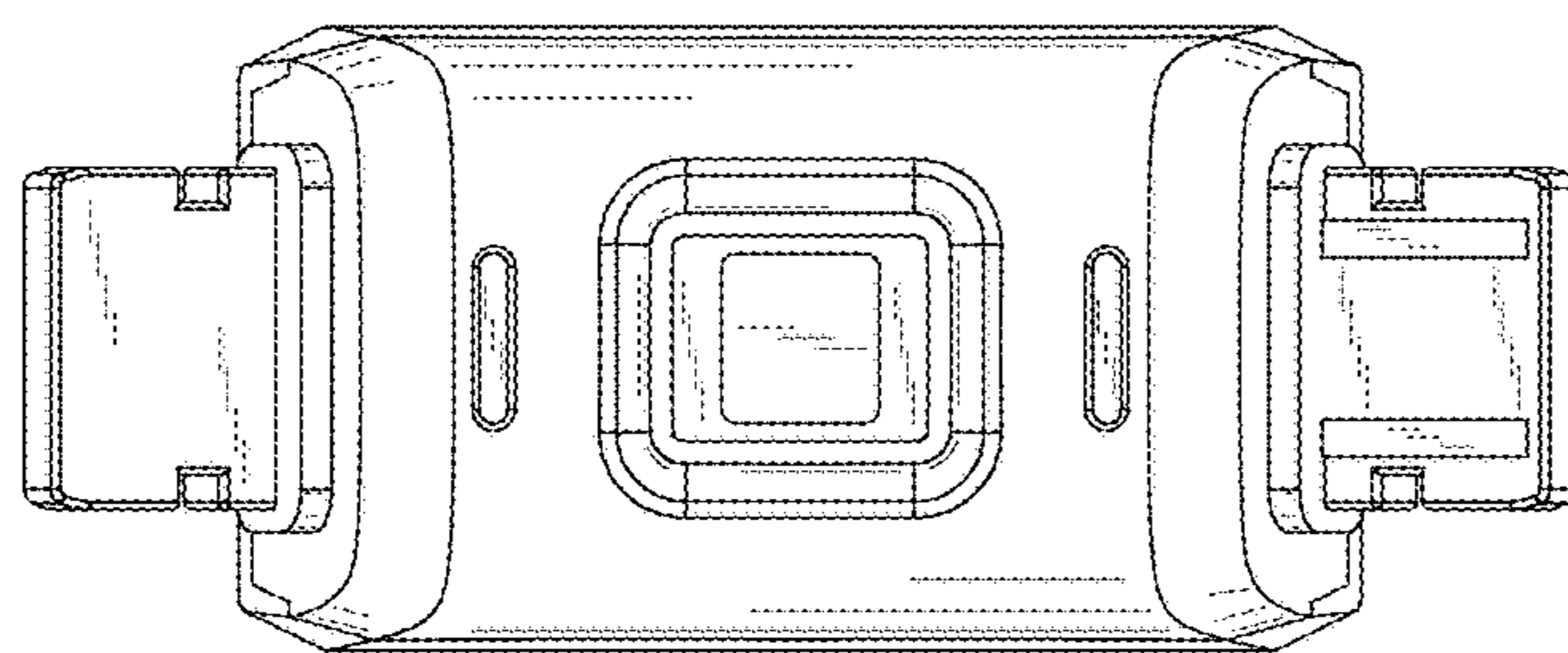


FIG. 2

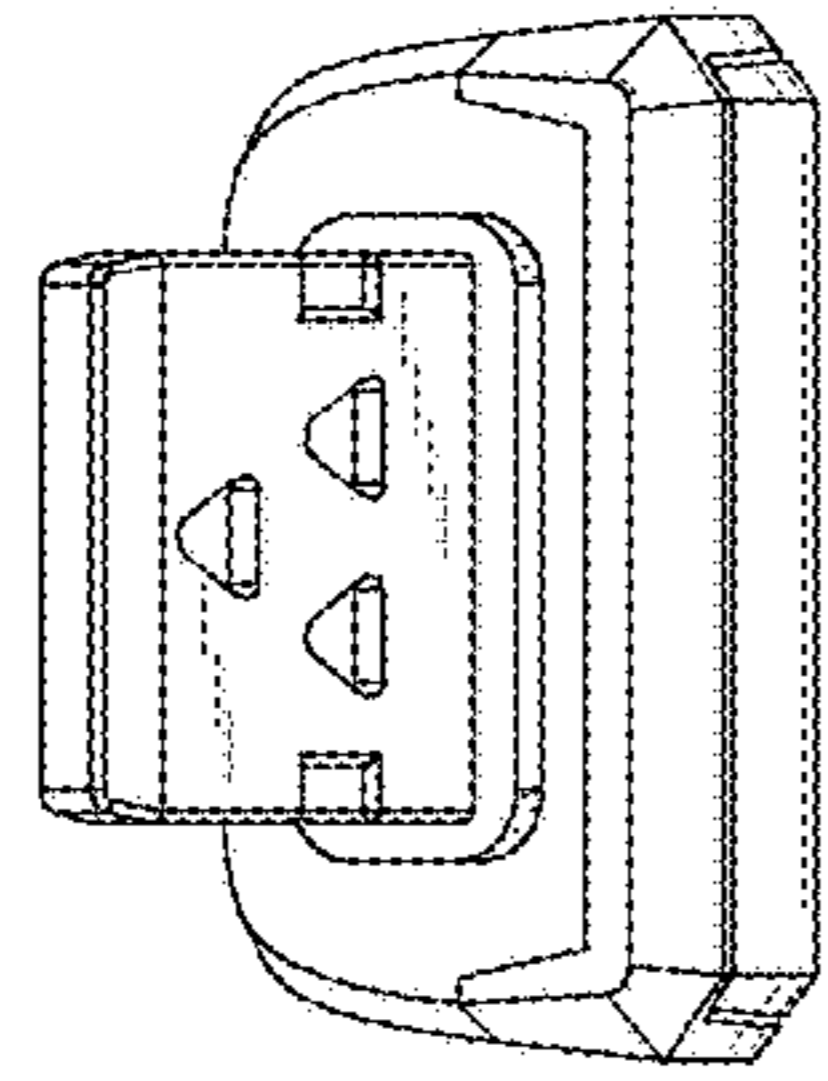


FIG. 3

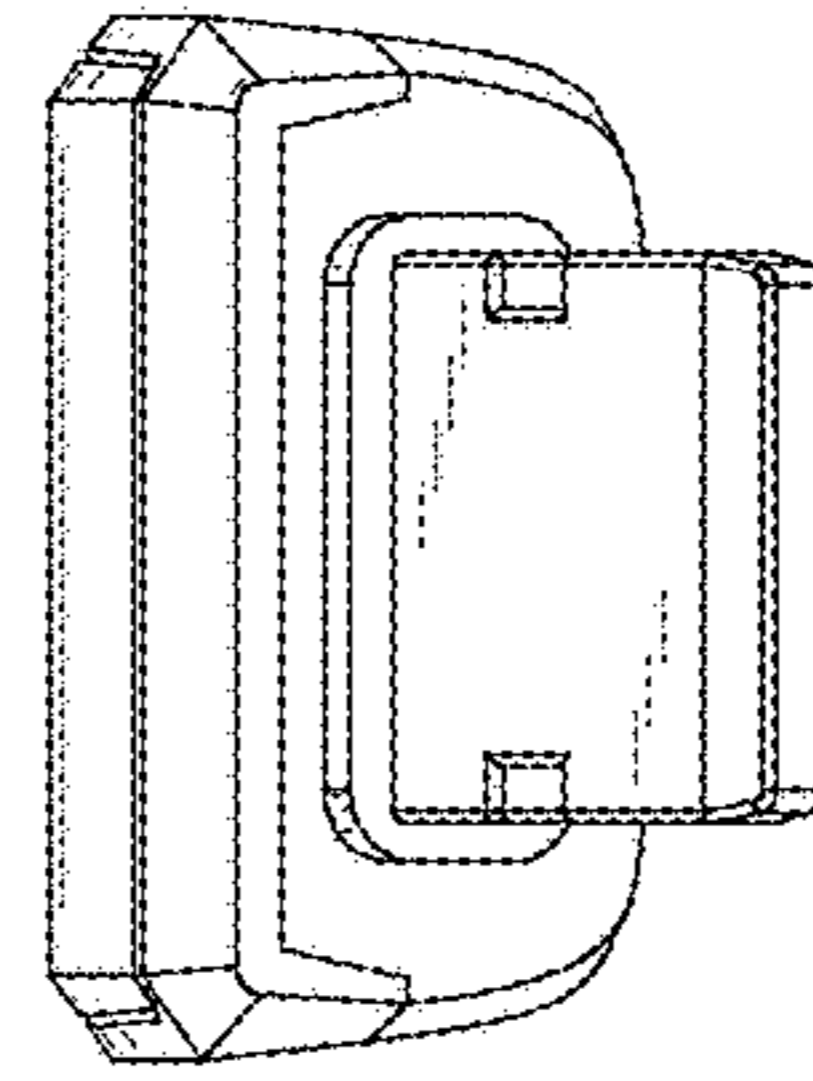


FIG. 4

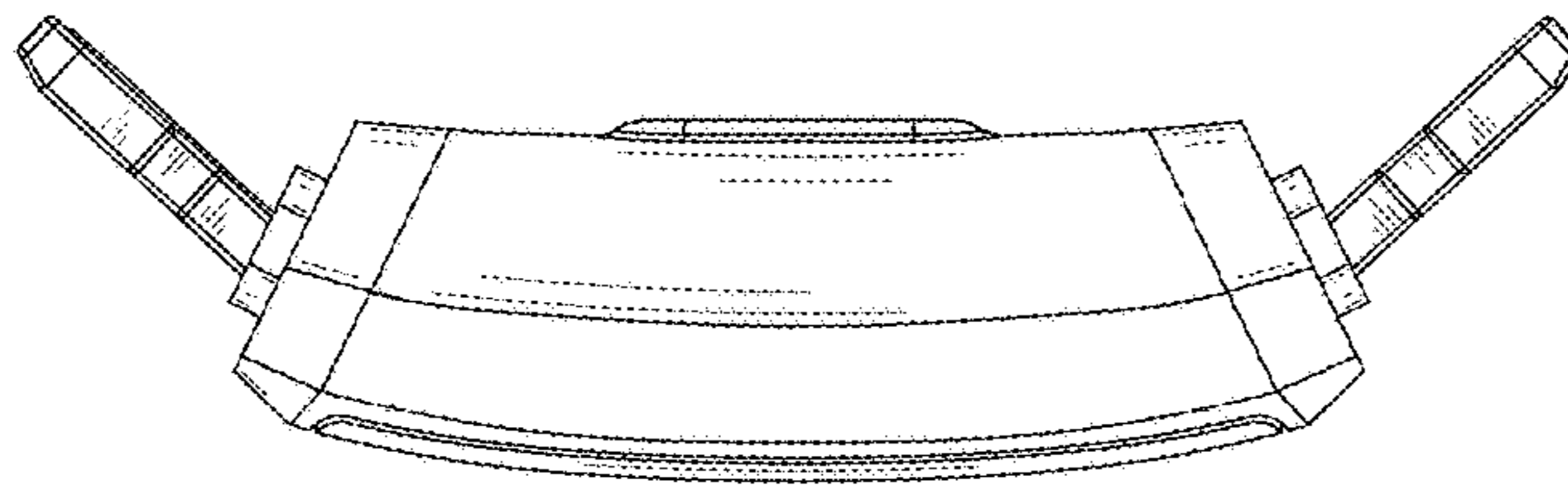


FIG. 5

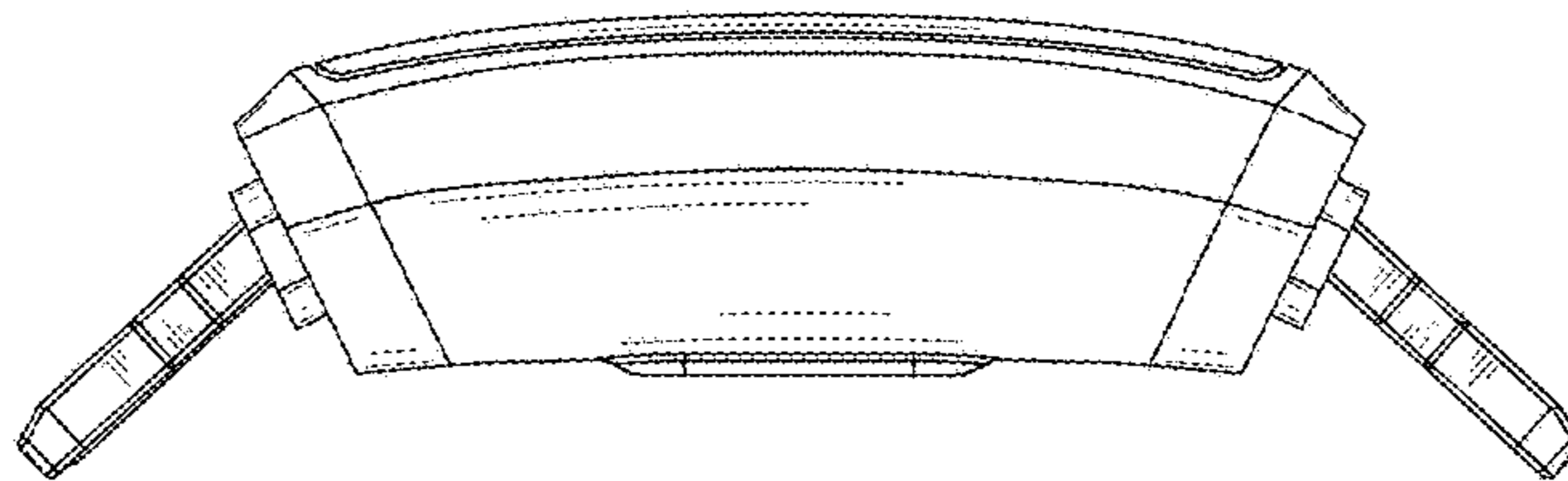


FIG. 6

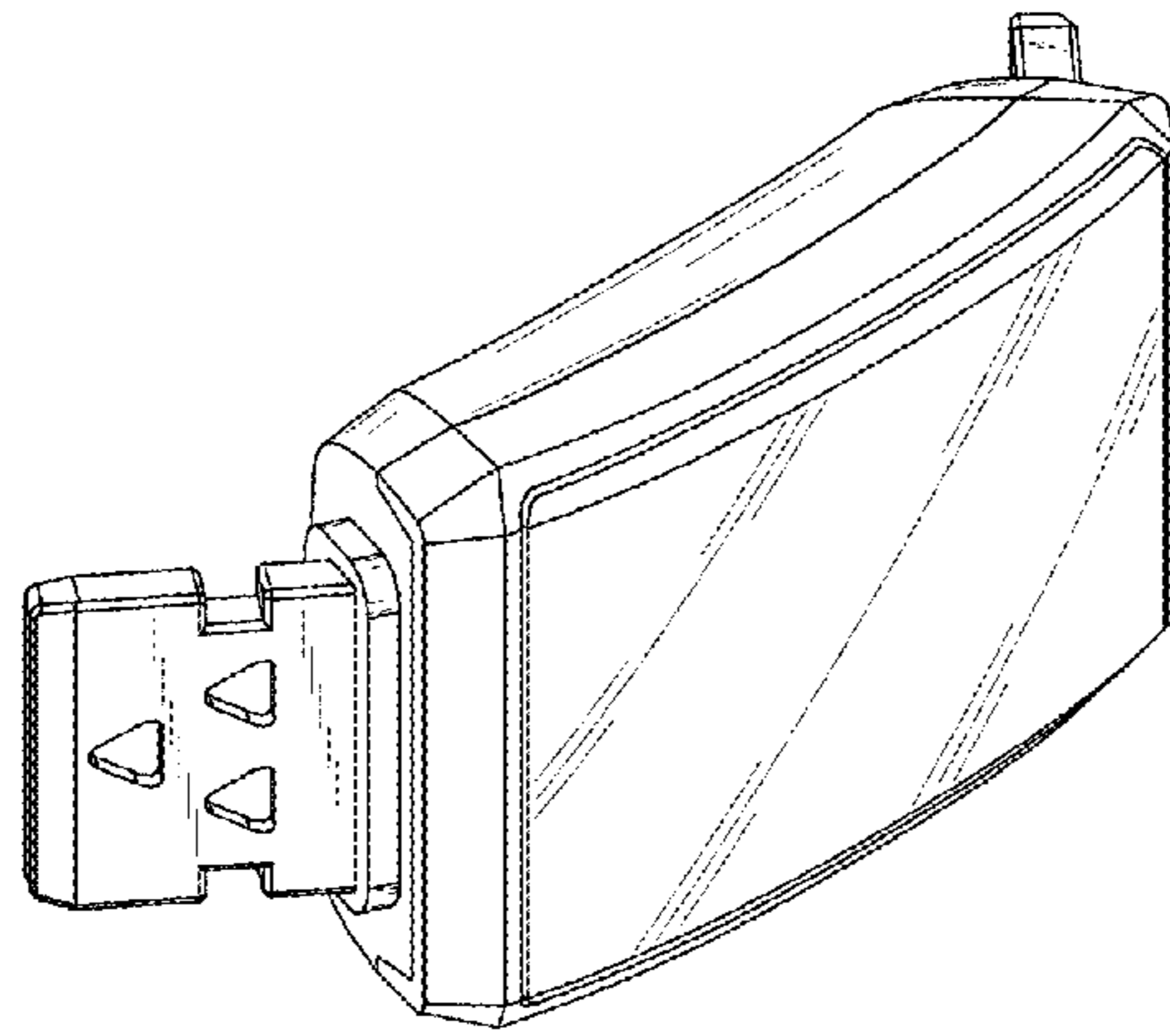


FIG. 7

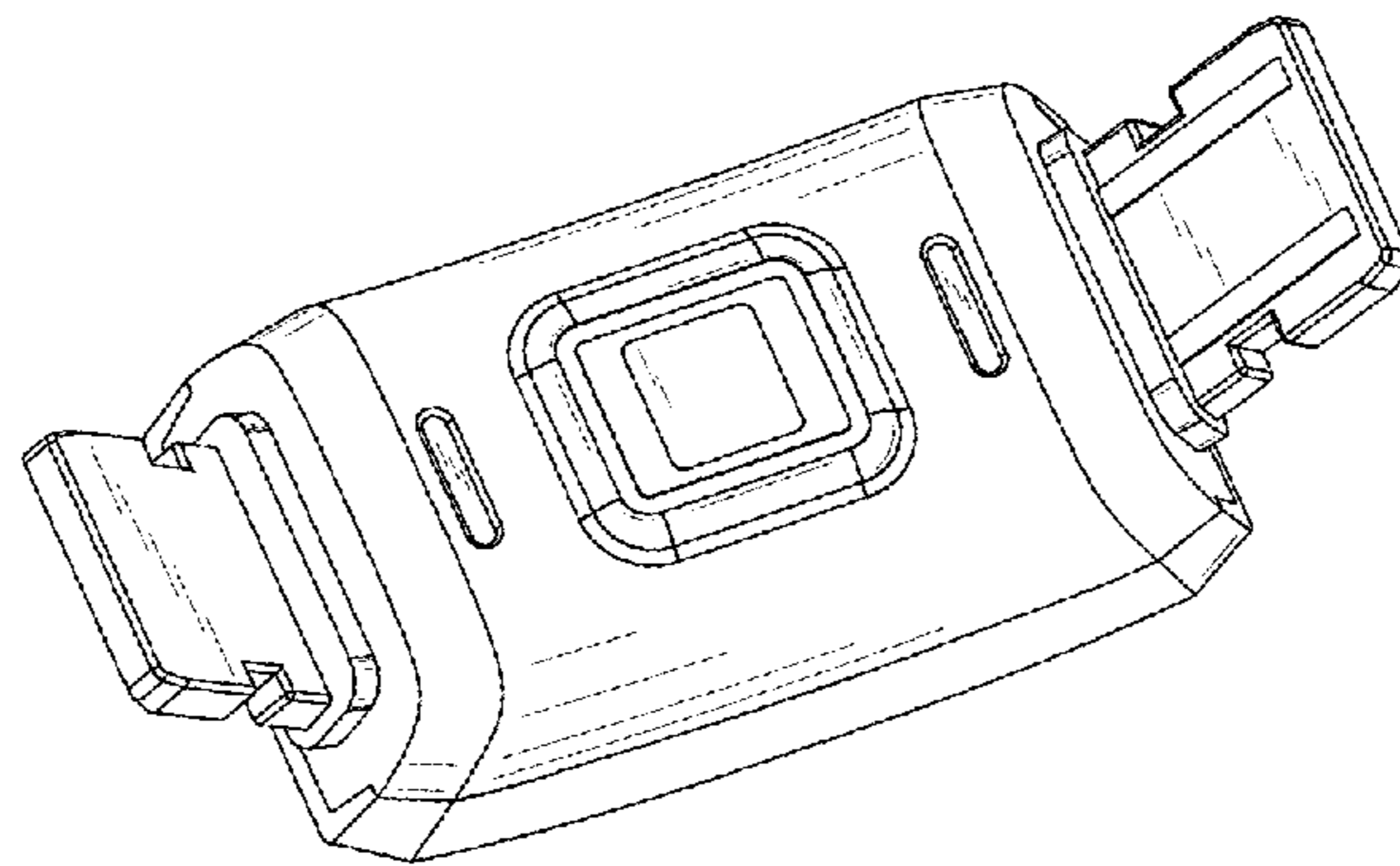


FIG. 8