



US00D835532S

(12) **United States Design Patent**  
**Ishii**

(10) **Patent No.:** **US D835,532 S**

(45) **Date of Patent:** **\*\* Dec. 11, 2018**

(54) **SURVEYING INSTRUMENT**

(71) Applicant: **TOPCON CORPORATION**, Tokyo (JP)

(72) Inventor: **Mitsuo Ishii**, Tokyo (JP)

(\*\*) Term: **15 Years**

(21) Appl. No.: **35/503,633**

(22) Filed: **Mar. 3, 2017**

(80) **Hague Agreement Data**

Int. Filing Date: **Mar. 3, 2017**

Int. Reg. No.: **DM/095196**

Int. Reg. Date: **Mar. 3, 2017**

Int. Reg. Pub. Date: **Sep. 8, 2017**

(51) **LOC (11) Cl.** ..... **10-04**

(52) **U.S. Cl.**  
USPC ..... **D10/66**

(58) **Field of Classification Search**  
USPC ..... **D10/66, 74**  
CPC ..... **G01C 15/002; G01C 1/04**  
See application file for complete search history.

(56) **References Cited**

**U.S. PATENT DOCUMENTS**

D250,637 S \* 12/1978 Kooi ..... D10/66  
D251,830 S \* 5/1979 Joslin ..... D10/66

D252,917 S \* 9/1979 Kooi ..... D10/66  
D257,961 S \* 1/1981 Kooi ..... D10/66  
D708,970 S \* 7/2014 Ishii ..... D10/66  
D761,674 S \* 7/2016 Nikaido ..... D10/66  
D795,720 S \* 8/2017 Ishii ..... D10/74  
D795,721 S \* 8/2017 Ishii ..... D10/74  
9,945,665 B2 \* 4/2018 Ishida ..... G01C 1/04  
9,979,324 B2 \* 5/2018 Kumagai ..... G01C 15/002

\* cited by examiner

*Primary Examiner* — George D. Kirschbaum

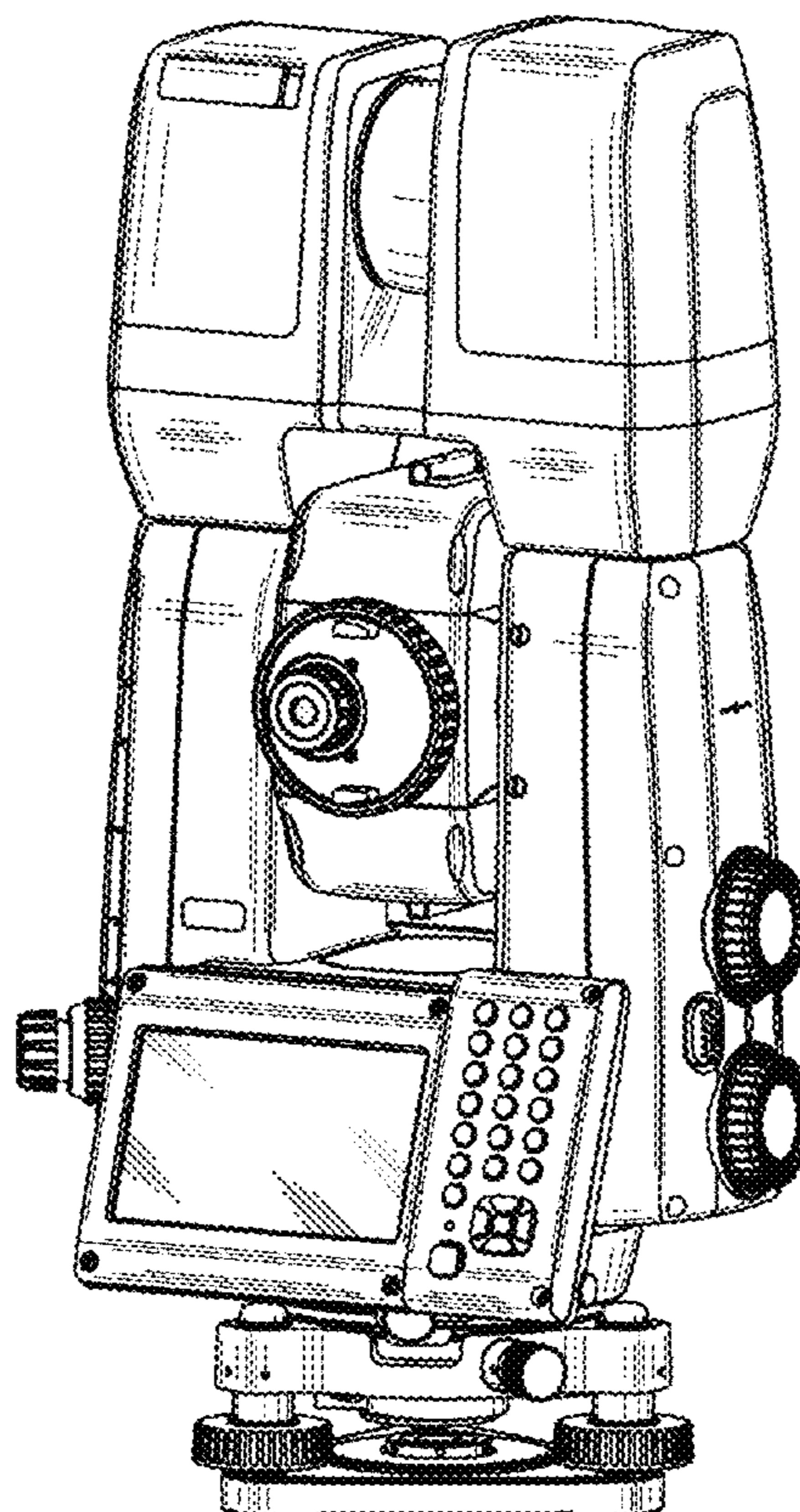
(57) **CLAIM**

The ornamental design for a surveying instrument, as shown and described.

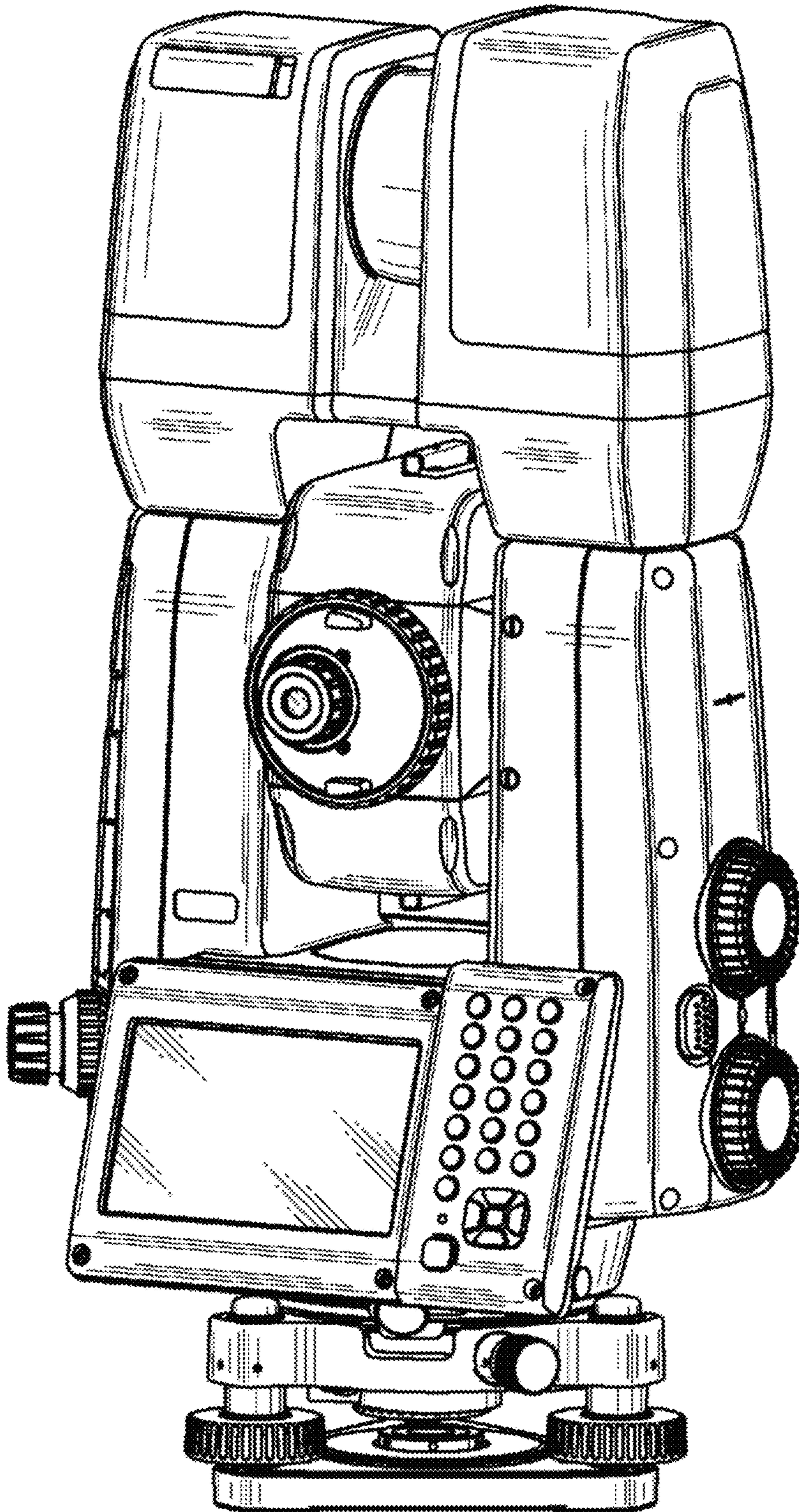
**DESCRIPTION**

- 1. Surveying instrument
- 1.1 : Perspective
- 1.2 : Perspective
- 1.3 : Front
- 1.4 : Back
- 1.5 : Right
- 1.6 : Left
- 1.7 : Top
- 1.8 : Bottom

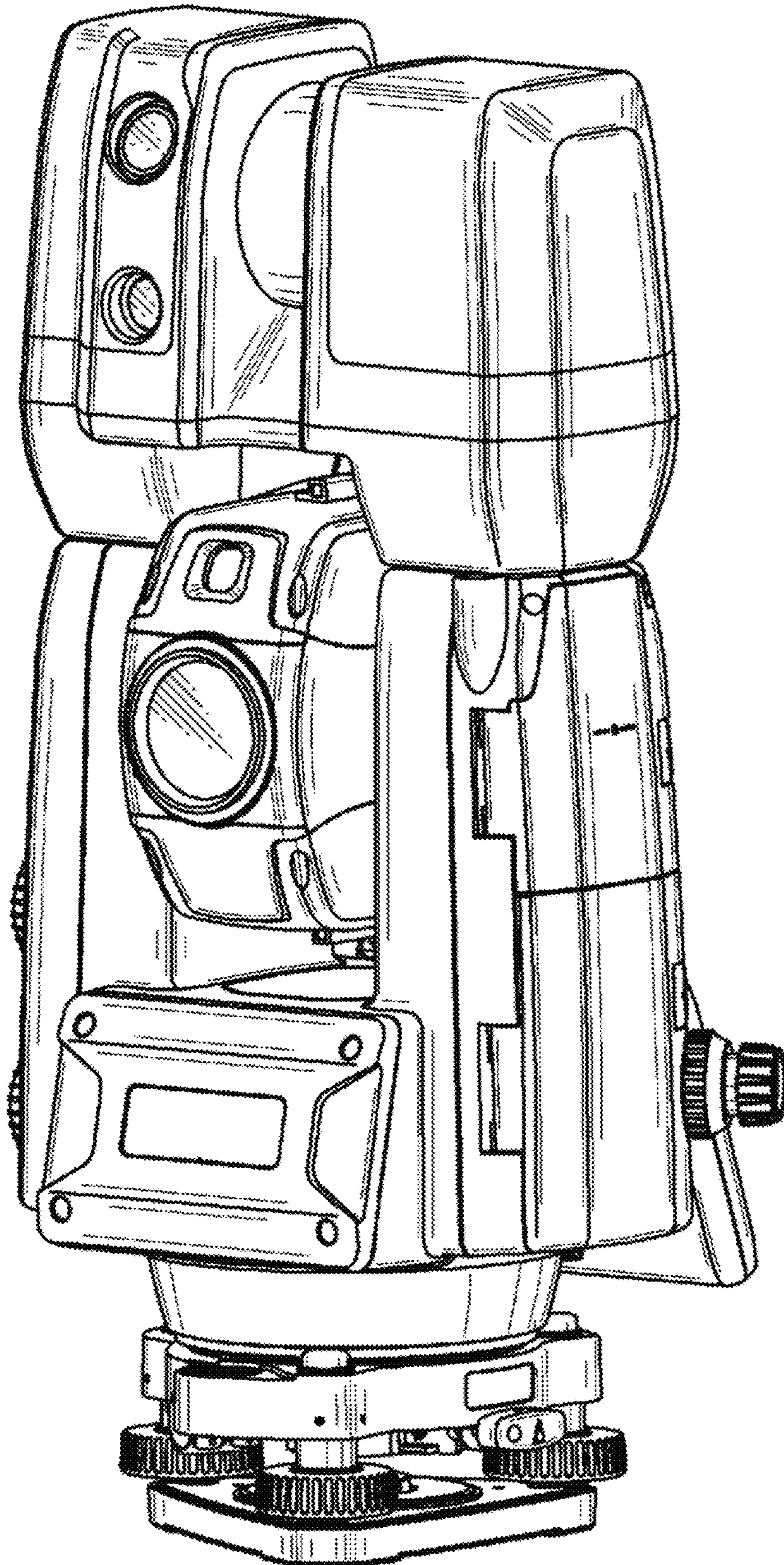
**1 Claim, 8 Drawing Sheets**



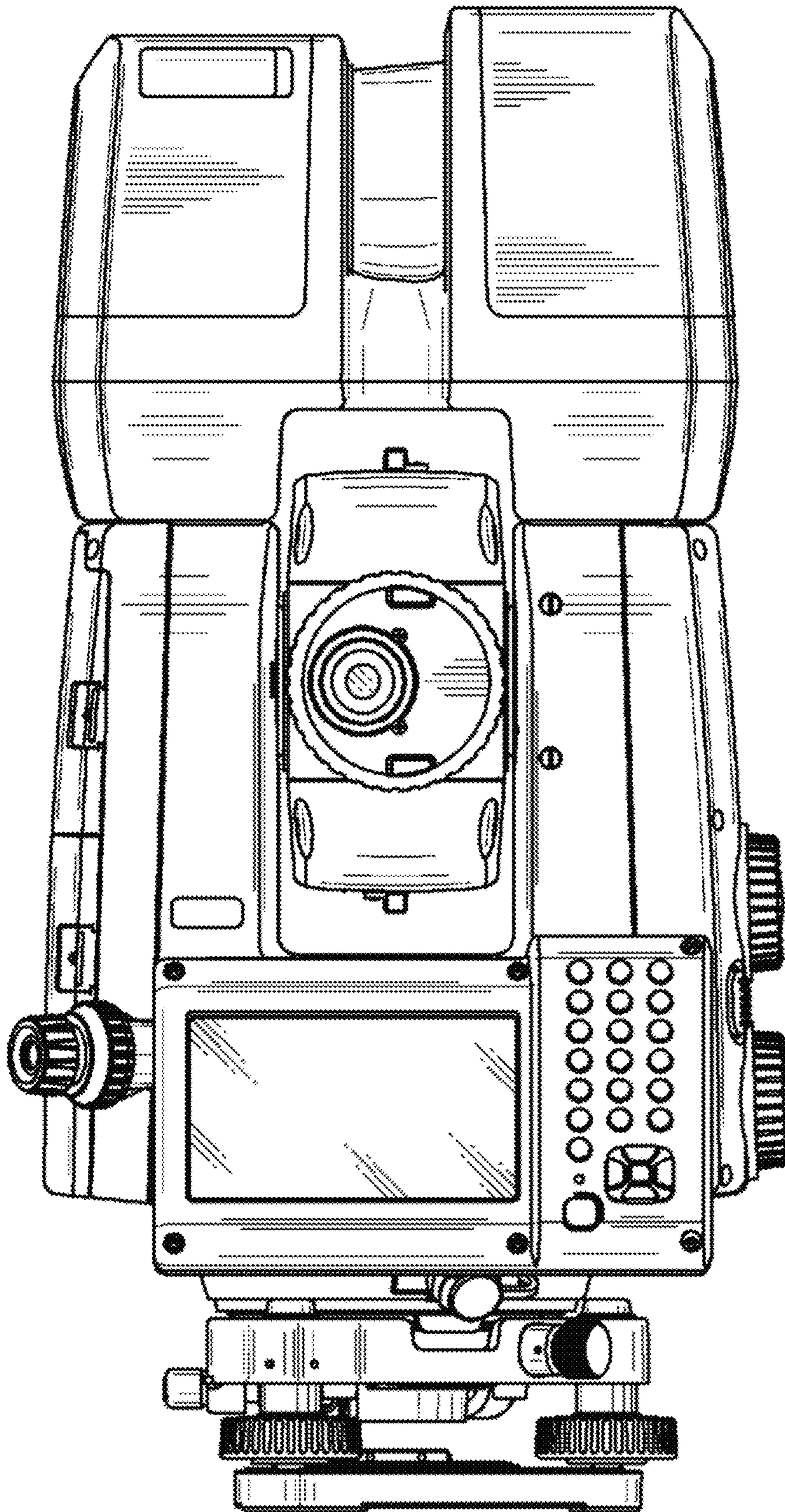
1.1



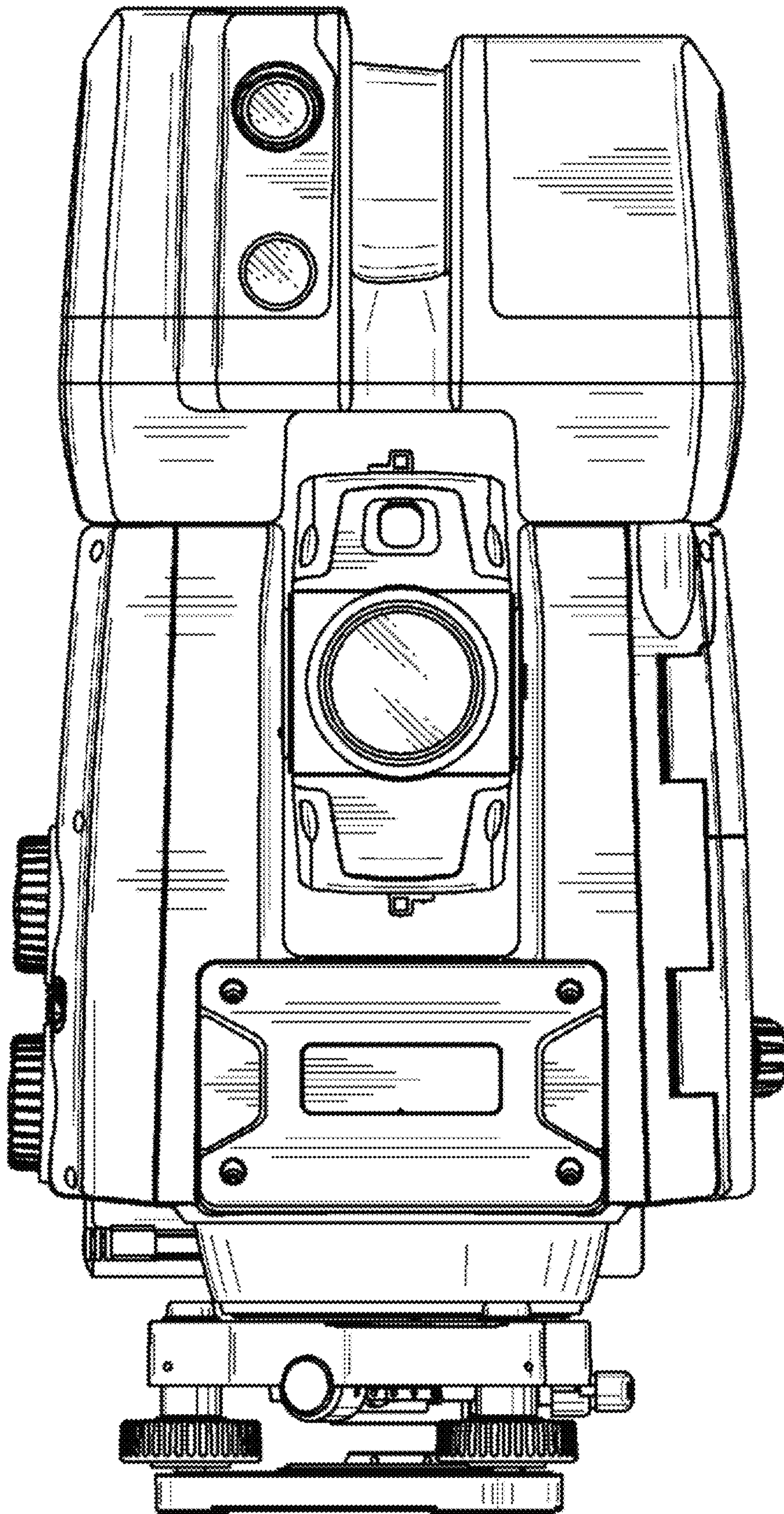
1.2



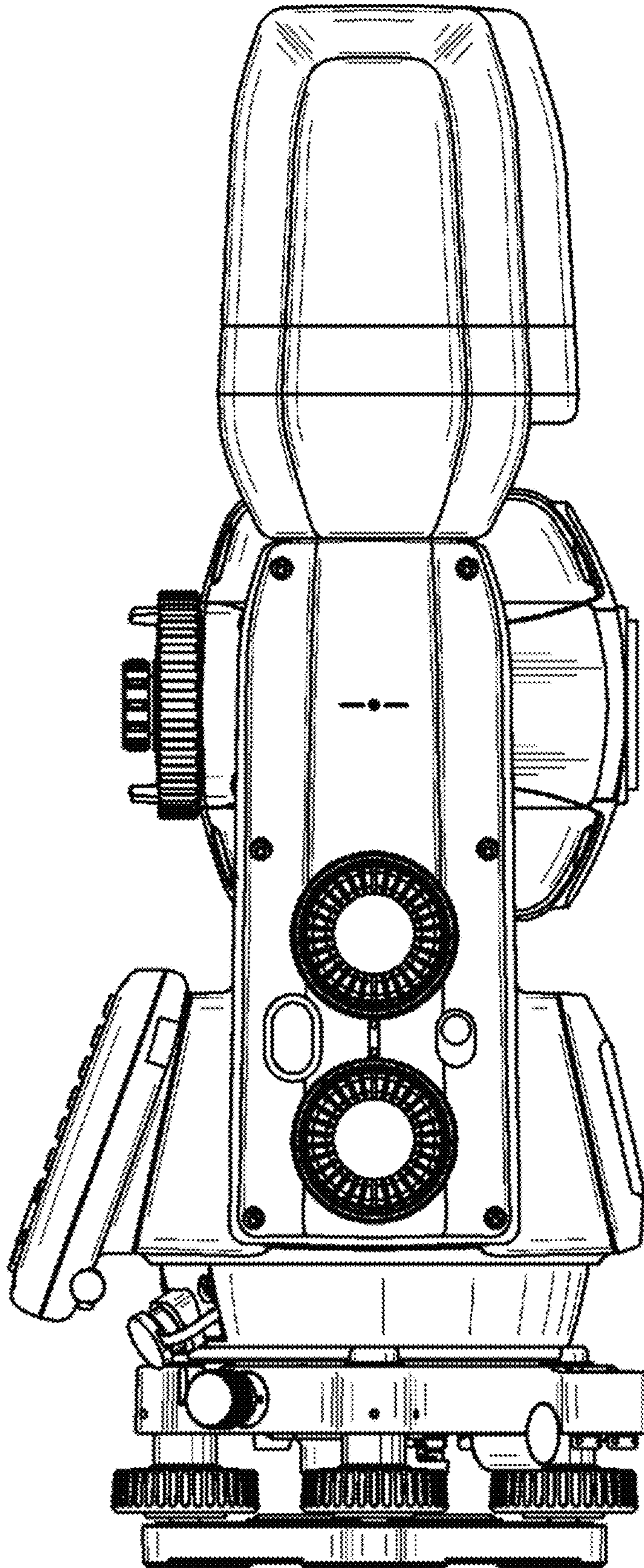
1.3



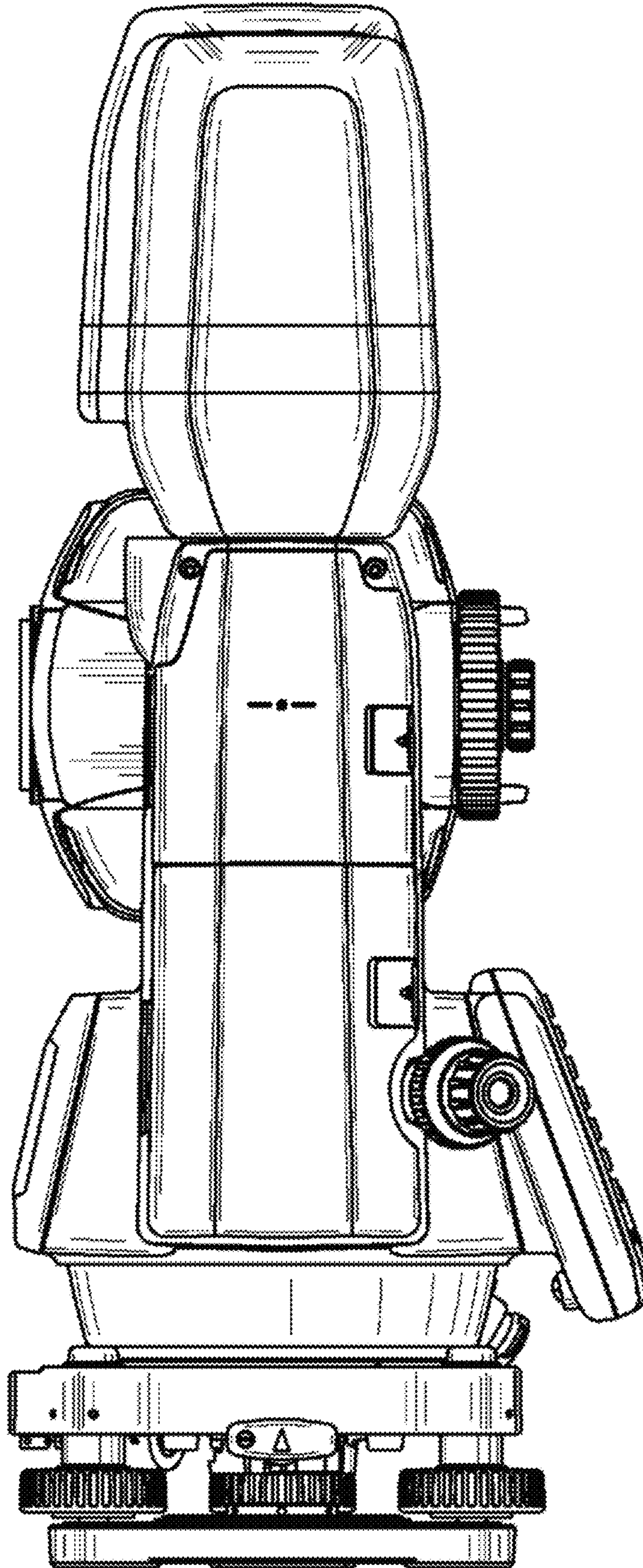
1.4



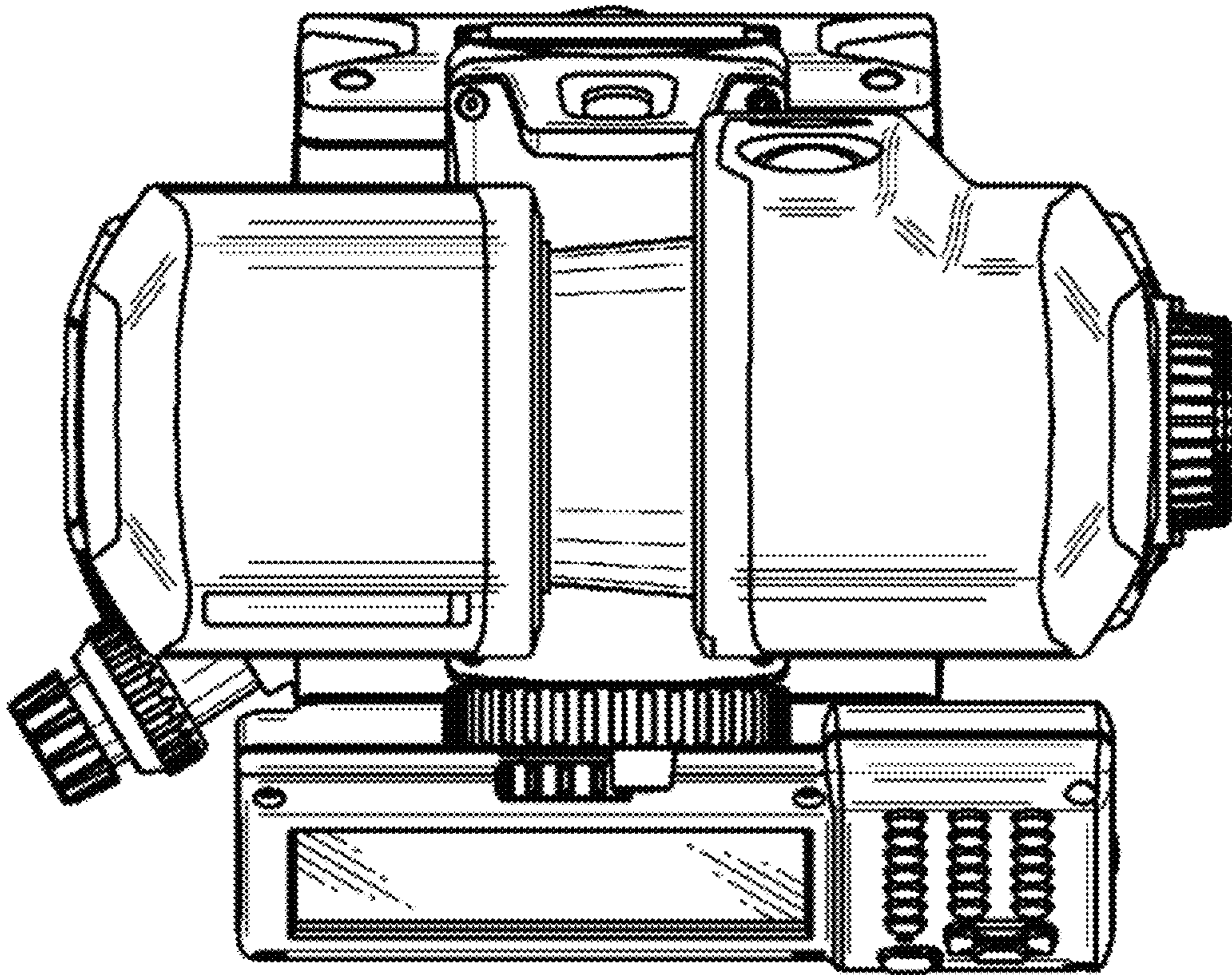
1.5



1.6



1.7





1.8

