



US00D835531S

(12) **United States Design Patent**  
**Choi**

(10) **Patent No.:** **US D835,531 S**

(45) **Date of Patent:** **\*\* Dec. 11, 2018**

(54) **TEMPERATURE-HUMIDITY SENSOR**

(56) **References Cited**

(71) Applicant: **LG ELECTRONICS INC.**, Seoul (KR)

U.S. PATENT DOCUMENTS

(72) Inventor: **Taehong Choi**, Seoul (KR)

D309,115 S *	7/1990	Yockey .....	D10/56
D686,925 S *	7/2013	Gerold .....	D10/53
D687,725 S *	8/2013	Gerold .....	D10/53
D698,670 S *	2/2014	Luo .....	D10/49
D717,184 S *	11/2014	Yogo .....	D10/53
D805,924 S *	12/2017	Wimberly .....	D10/53

(73) Assignee: **LG ELECTRONICS INC.**, Seoul (KR)

(\*\*) Term: **15 Years**

\* cited by examiner

(21) Appl. No.: **35/503,530**

*Primary Examiner* — George D. Kirschbaum

(22) Filed: **Feb. 13, 2017**

(74) *Attorney, Agent, or Firm* — Birch, Stewart, Kolasch & Birch, LLP

(80) **Hague Agreement Data**

(57) **CLAIM**

Int. Filing Date: **Feb. 13, 2017**

The ornamental design for a temperature-humidity sensor, as shown and described.

Int. Reg. No.: **DM/094885**

Int. Reg. Date: **Feb. 13, 2017**

Int. Reg. Pub. Date: **Aug. 18, 2017**

**DESCRIPTION**

(30) **Foreign Application Priority Data**

Aug. 17, 2016 (KR) ..... 30-2016-0040194

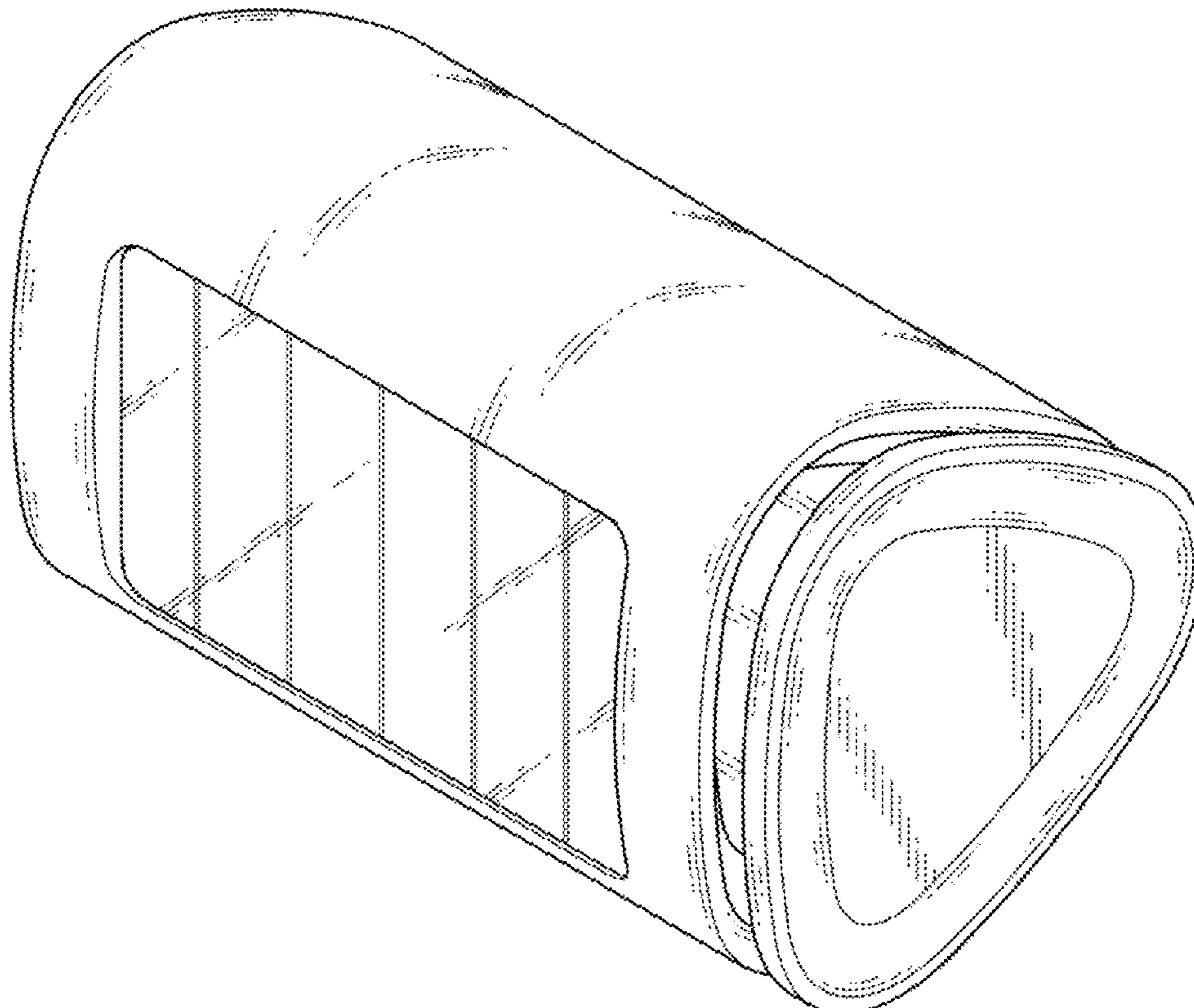
(51) **LOC (11) Cl.** ..... **10-04**

(52) **U.S. Cl.**  
USPC ..... **D10/53**

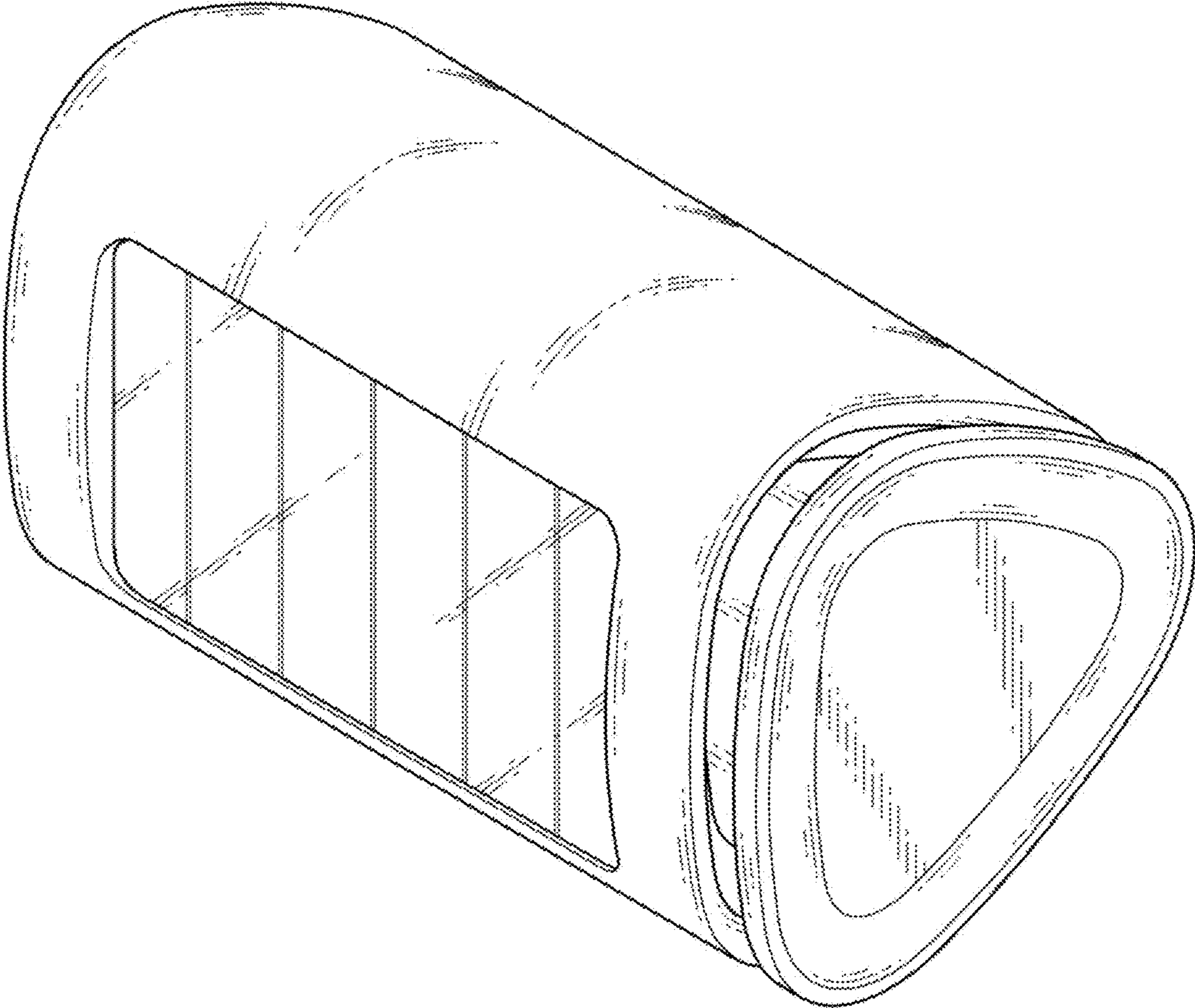
(58) **Field of Classification Search**  
USPC ..... D10/49, 53, 56  
See application file for complete search history.

1. Temperature-humidity sensor
- 1.1 is a front perspective view.
- 1.2 is a front view.
- 1.3 is a rear view.
- 1.4 is a right side view.
- 1.5 is a left side view.
- 1.6 is a top view.
- 1.7 is a bottom view.

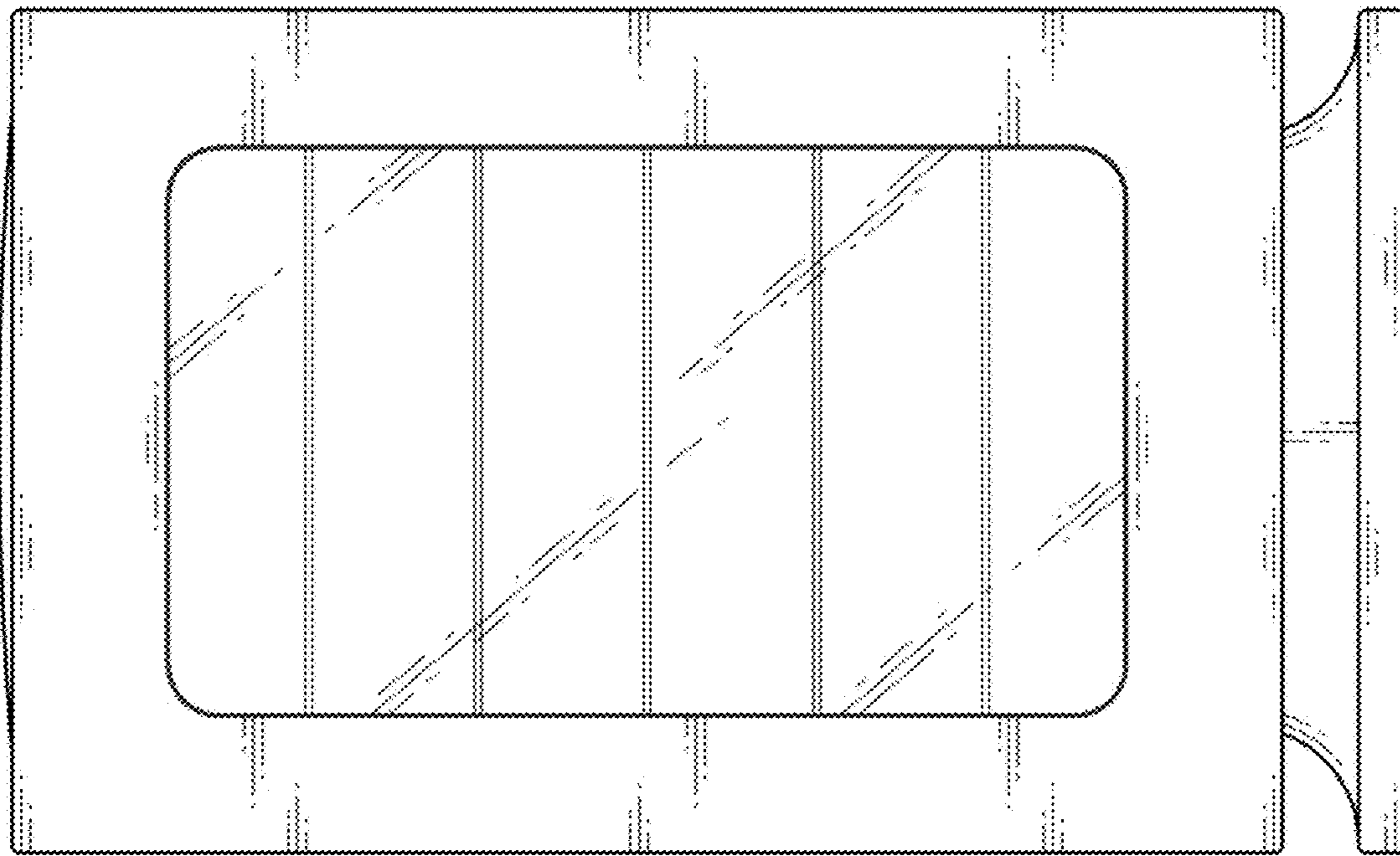
**1 Claim, 7 Drawing Sheets**



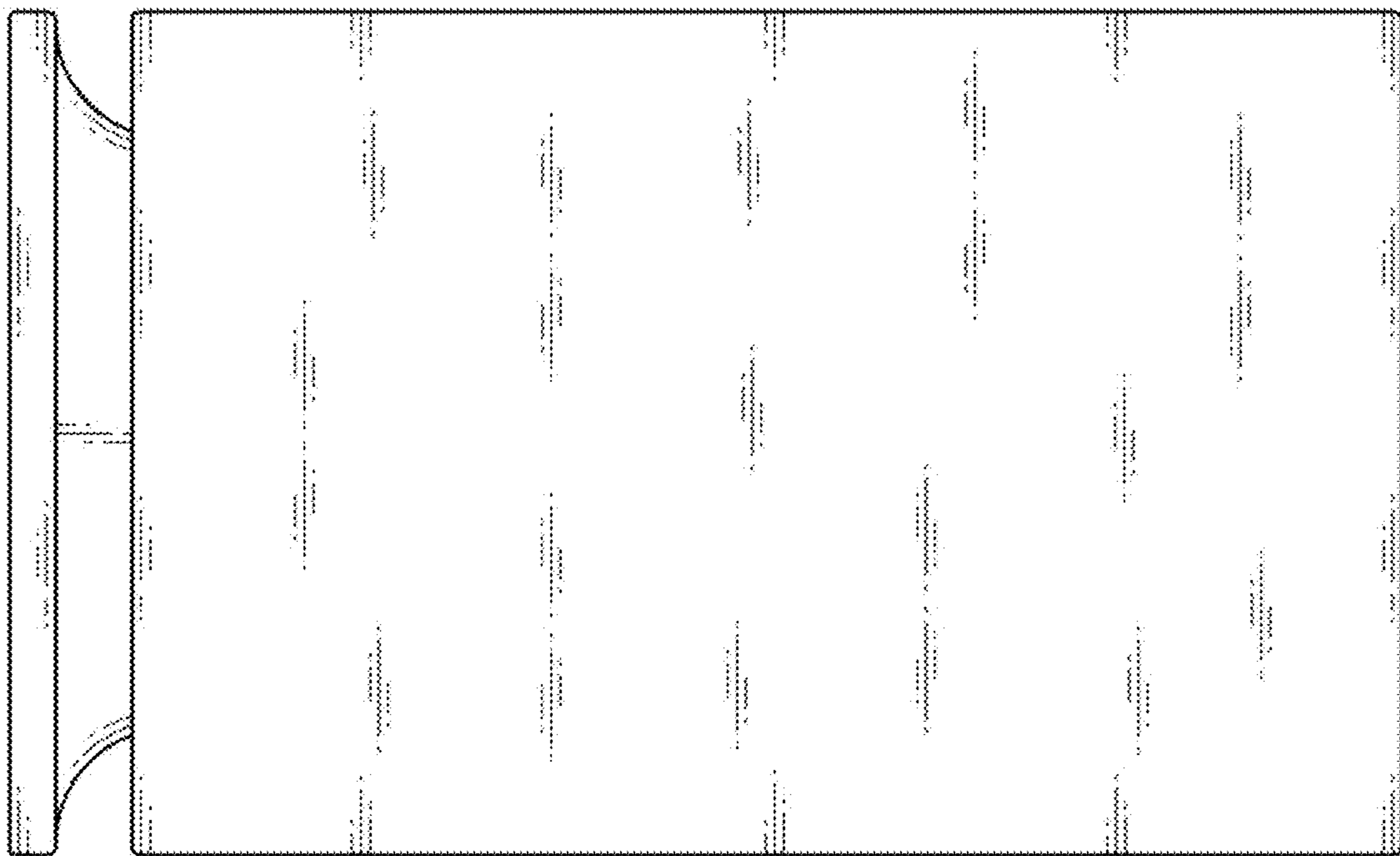
1.1



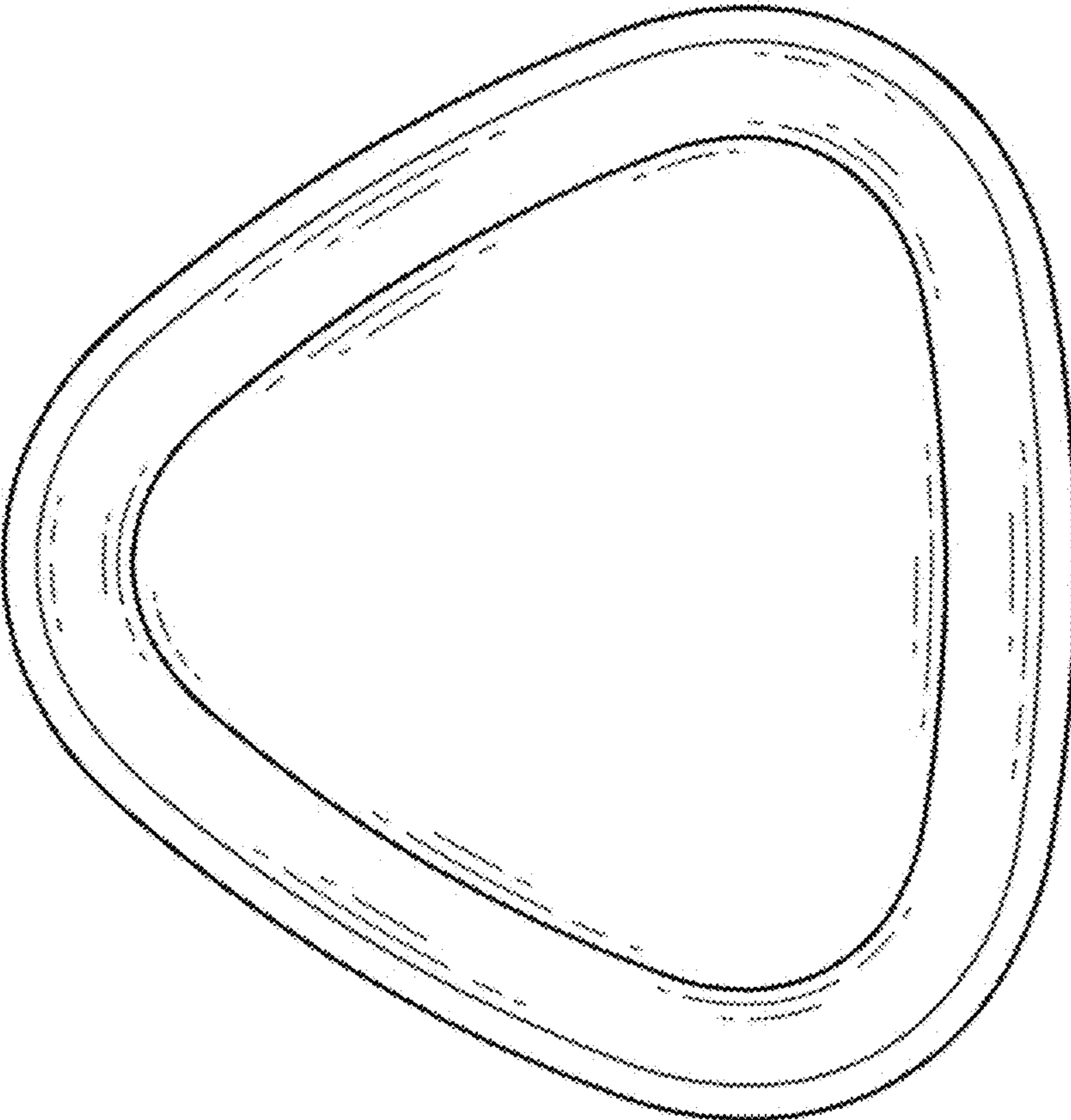
1.2



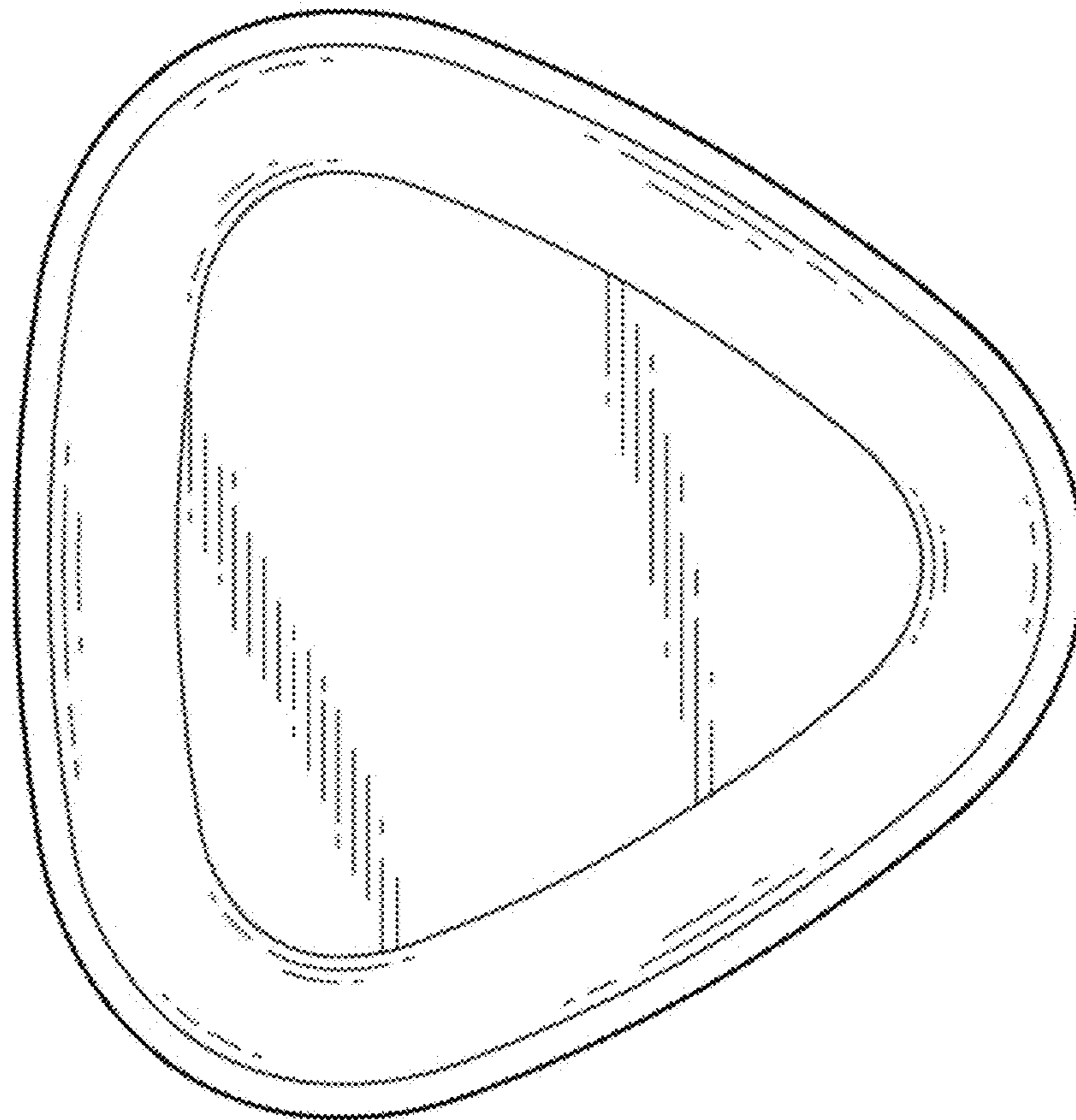
1.3



1.4



1.5



1.6



1.7

