



US00D835528S

(12) **United States Design Patent**
Duval

(10) **Patent No.:** **US D835,528 S**

(45) **Date of Patent:** **** Dec. 11, 2018**

(54) **WATCH**

(71) Applicant: **THE ELECTRICIANZ S.A. (LTD.)**,
Bienne (CH)

(72) Inventor: **Arnaud Duval**, Bienne (CH)

(**) Term: **15 Years**

(21) Appl. No.: **35/503,807**

(22) Filed: **Sep. 29, 2017**

(80) **Hague Agreement Data**

Int. Filing Date: **Sep. 29, 2017**

Int. Reg. No.: **DM/097887**

Int. Reg. Date: **Sep. 29, 2017**

Int. Reg. Pub. Date: **Oct. 13, 2017**

(51) **LOC (11) Cl.** **10-02**

(52) **U.S. Cl.**
USPC **D10/39**

(58) **Field of Classification Search**
USPC D10/30-32, 38-39, 126
See application file for complete search history.

(56) **References Cited**

U.S. PATENT DOCUMENTS

D578,901 S * 10/2008 Laucella D10/38
D579,793 S * 11/2008 Hayek D10/39

D641,264 S * 7/2011 Garcia D10/39
D708,966 S * 7/2014 Lasserre D10/39
D733,584 S * 7/2015 Kamilindi D10/39
D734,173 S * 7/2015 Behling D10/126
D779,342 S * 2/2017 Lintz D10/30
D792,245 S * 7/2017 Ruffieux D10/30

* cited by examiner

Primary Examiner — George D. Kirschbaum

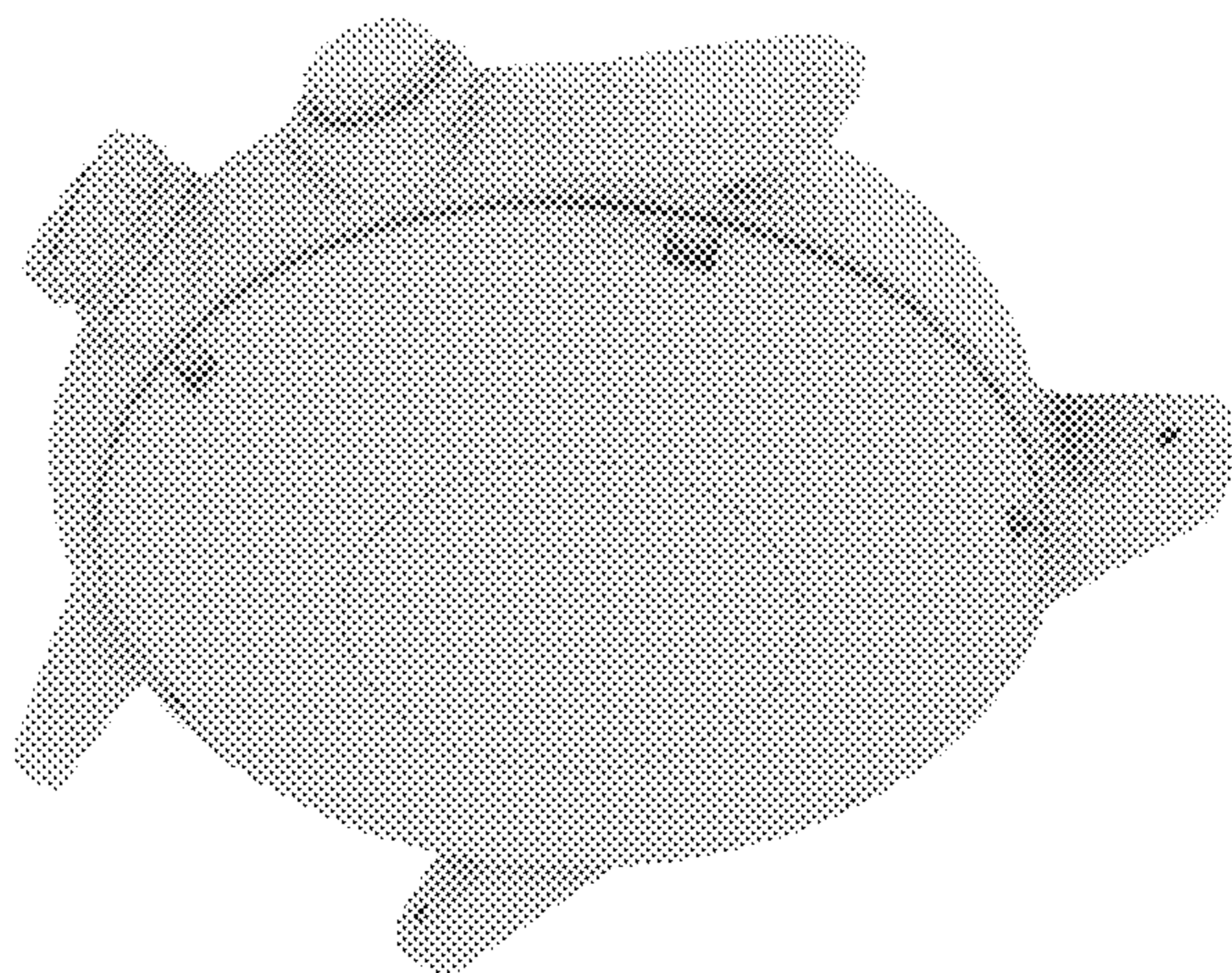
(57) **CLAIM**

The ornamental design for a watch, as shown and described.

DESCRIPTION

- 1. Watch
- 1.1 : Top
- 1.2 : Bottom
- 1.3 : Front
- 1.4 : Right
- 1.5 : Left
- 1.6 : Back
- 1.7 : Perspective
- 1.8 : Perspective

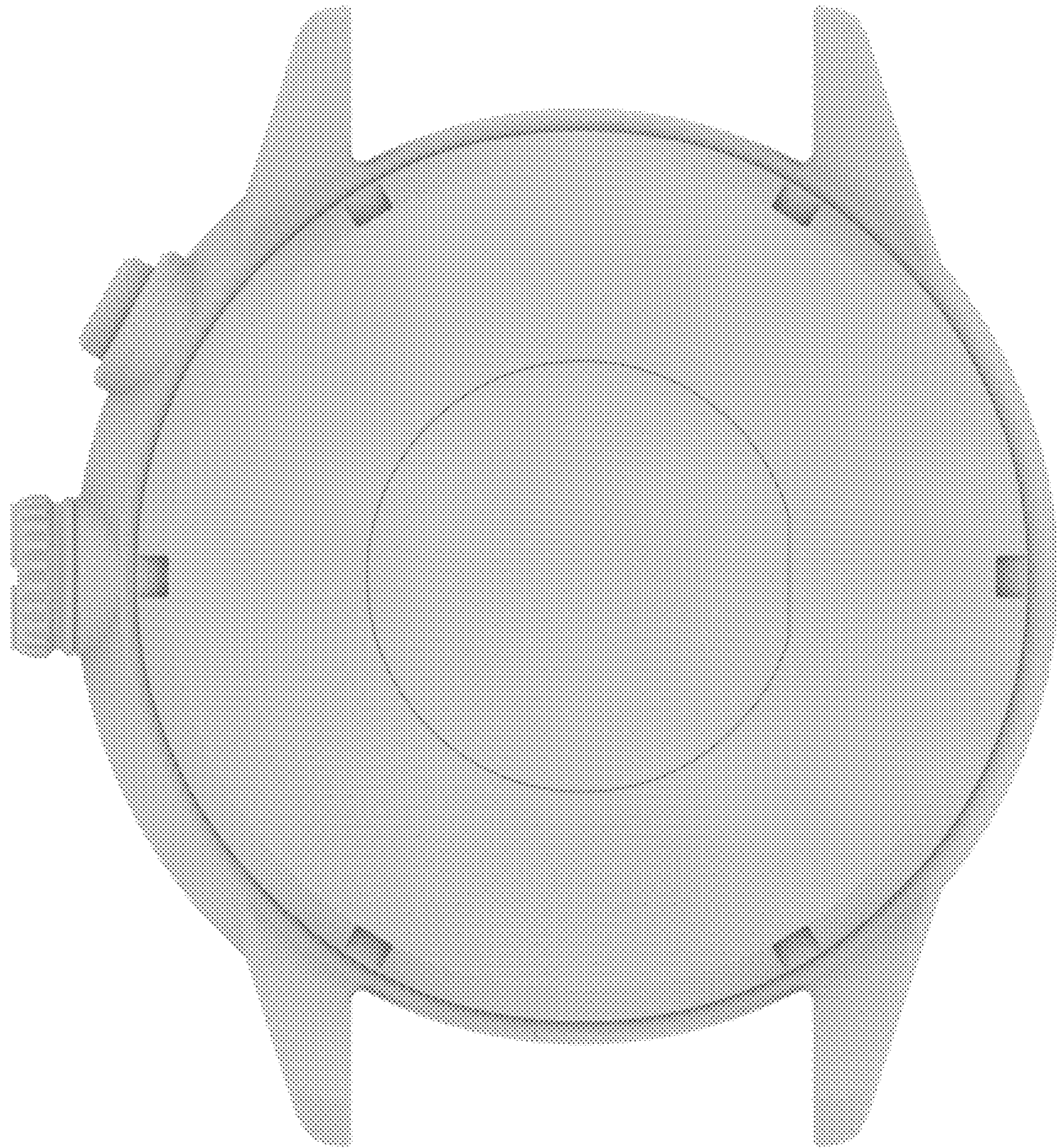
1 Claim, 8 Drawing Sheets



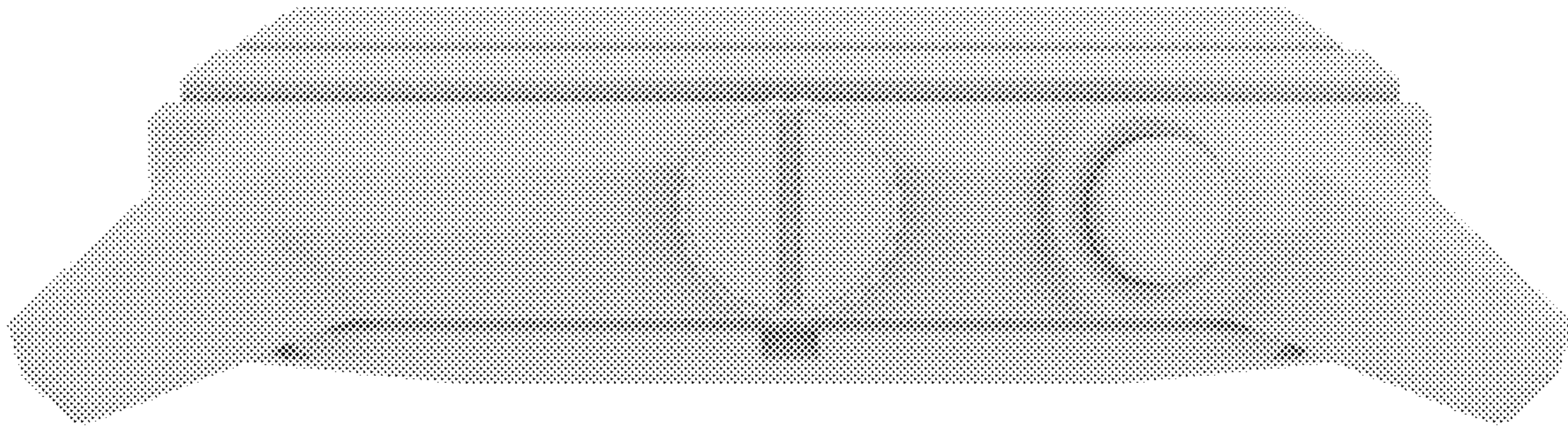
1.1



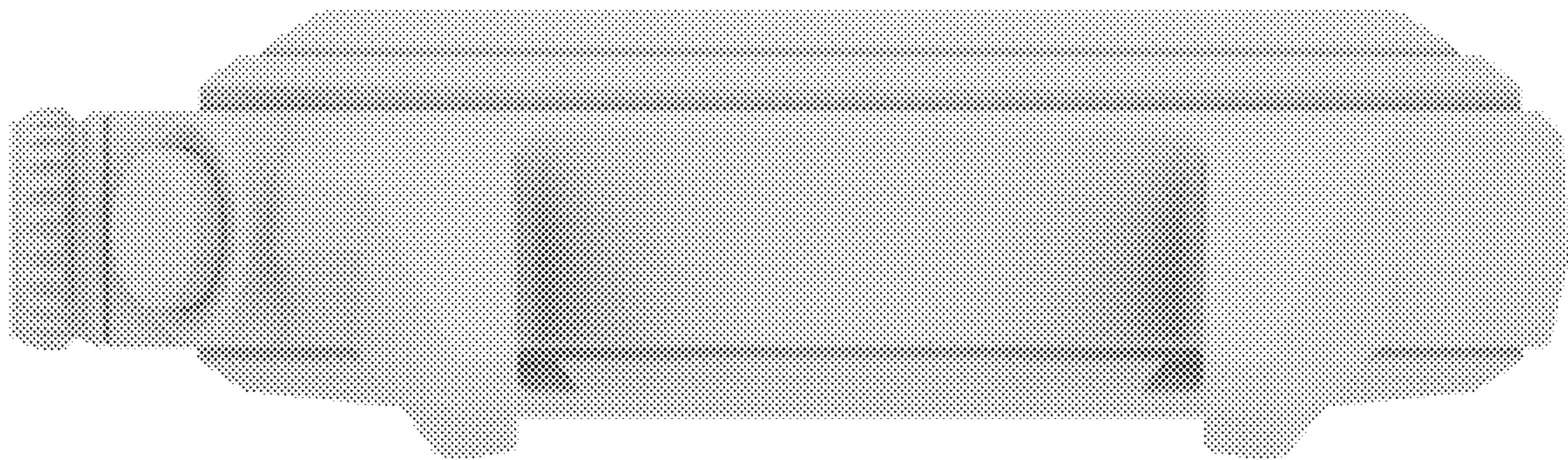
1.2



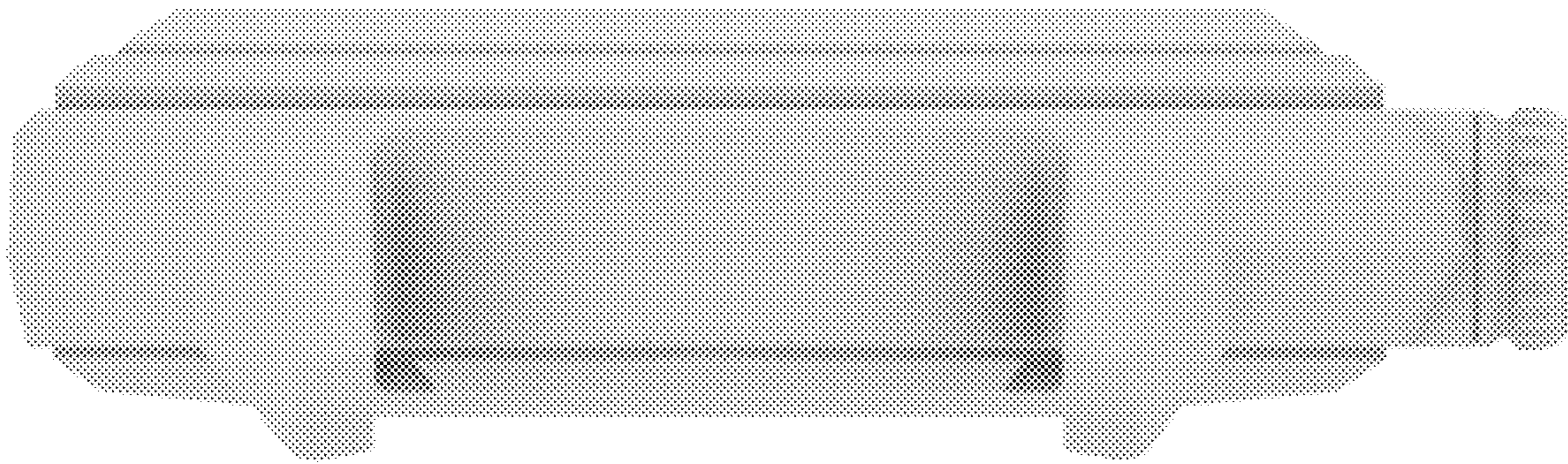
1.3



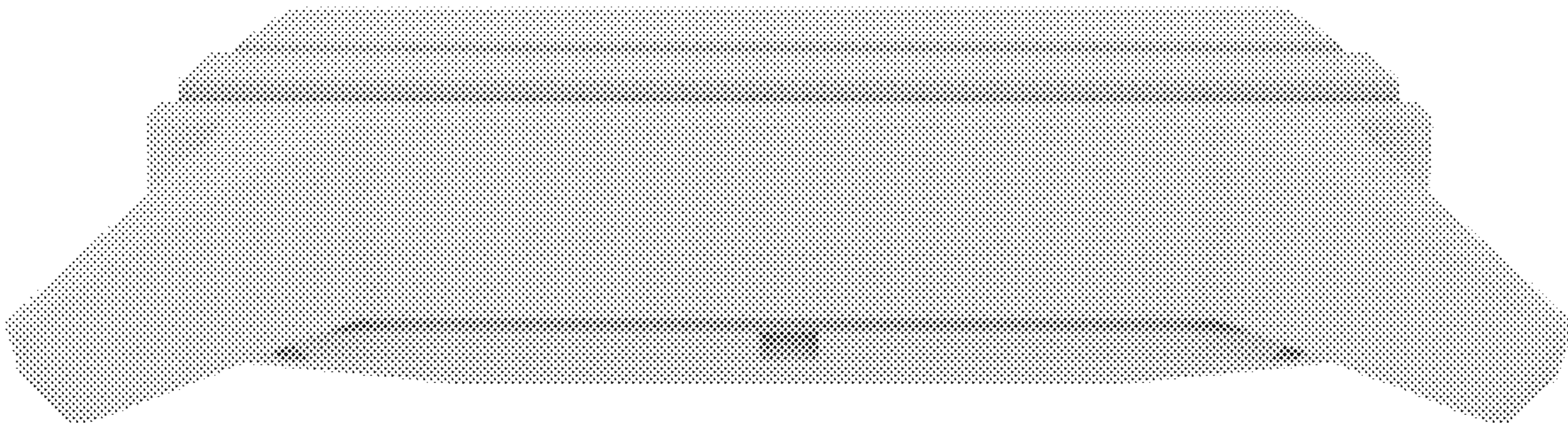
1.4



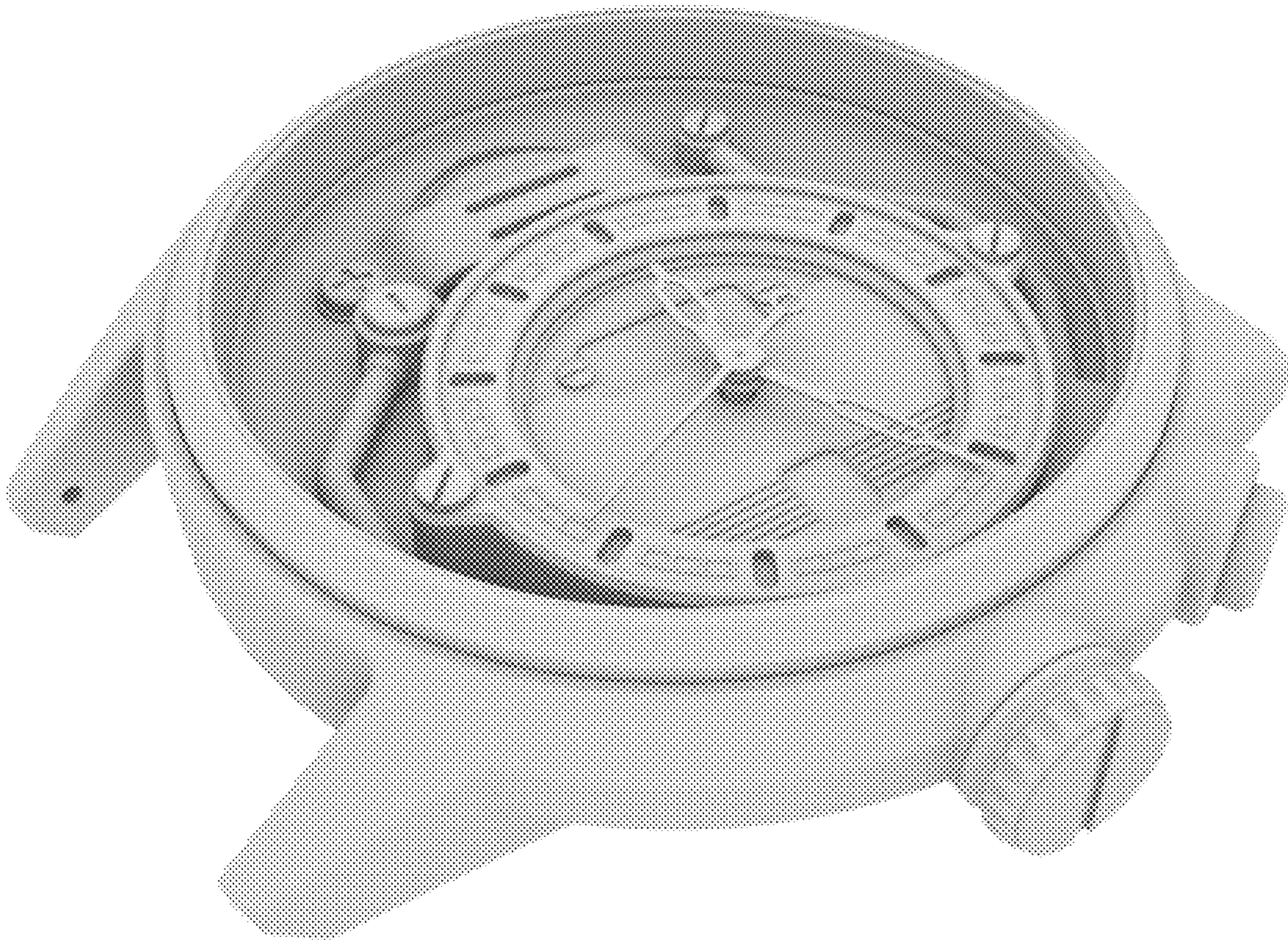
1.5



1.6



1.7



1.8

