



US00D835520S

(12) **United States Design Patent**
Peeters

(10) **Patent No.:** **US D835,520 S**
(45) **Date of Patent:** **** Dec. 11, 2018**

(54) **DEODORANT STICK**

(71) Applicant: **MODUS S.À.R.L.**, Windhof (LU)

(72) Inventor: **Daniel Petrus Marie Peeters**,
Nieuwmoer-Kalmthout (BE)

(73) Assignee: **MODUS S.A.R.L.**, Luxembourg (LU)

(**) Term: **15 Years**

(21) Appl. No.: **35/501,581**

(22) Filed: **Sep. 1, 2016**

(80) **Hague Agreement Data**

Int. Filing Date: **Sep. 1, 2016**

Int. Reg. No.: **DM/092355**

Int. Reg. Date: **Sep. 1, 2016**

Int. Reg. Pub. Date: **Sep. 16, 2016**

(51) **LOC (11) Cl.** **09-01**

(52) **U.S. Cl.**
USPC **D9/729**

(58) **Field of Classification Search**

USPC D9/500, 502–504, 516, 520, 529, 535,
D9/549, 552, 556, 558, 723, 724, 726,
D9/727, 728, 729

CPC A45D 34/04; A45D 34/045; A45D 34/047
See application file for complete search history.

(56) **References Cited**

U.S. PATENT DOCUMENTS

D289,857 S *	5/1987	Duval	D23/366
D289,858 S *	5/1987	Duval	D23/366
D359,908 S *	7/1995	Hirsch	D9/548
D429,847 S *	8/2000	Lang	D28/7
D455,868 S *	4/2002	Look	D19/66
D522,880 S *	6/2006	Fuller	D9/518
D534,082 S *	12/2006	Chadfield	D9/729
D561,583 S *	2/2008	Nottingham	D9/434
D562,137 S *	2/2008	Florio	D28/89
D572,136 S *	7/2008	Boni	D9/503

D573,471 S *	7/2008	Seum	D9/516
D578,394 S *	10/2008	Shurtleff	D9/516
D593,414 S *	6/2009	Hunter	D9/503
9,210,985 B2 *	12/2015	Arwatz	A45D 34/04
2003/0108376 A1 *	6/2003	Hurlburt	A45D 40/04 401/88
2008/0286028 A1 *	11/2008	Lombardi	A45D 40/04 401/72
2014/0034749 A1 *	2/2014	Ho	A61L 9/127 239/44
2014/0376986 A1 *	12/2014	Arwatz	A45D 34/04 401/101

(Continued)

Primary Examiner — Melanie H Tung

Assistant Examiner — Bao-Yen T Nguyen

(74) *Attorney, Agent, or Firm* — Douglas T. Johnson;
Miller & Martin PLLC

(57) **CLAIM**

The ornamental design for a deodorant stick, as shown and described.

DESCRIPTION

1. Deodorant stick

Figure 1.1 is a perspective view of the deodorant stick;

Figure 1.2 is a right-side elevation view of the deodorant stick of Figure 1.1, the left side elevation being a mirror image thereof;

Figure 1.3 is a front elevation view of the deodorant stick of Figure 1.1, the back elevation being a mirror image thereof; Figure 1.4 is a bottom plan view of the deodorant stick of Figure 1.1;

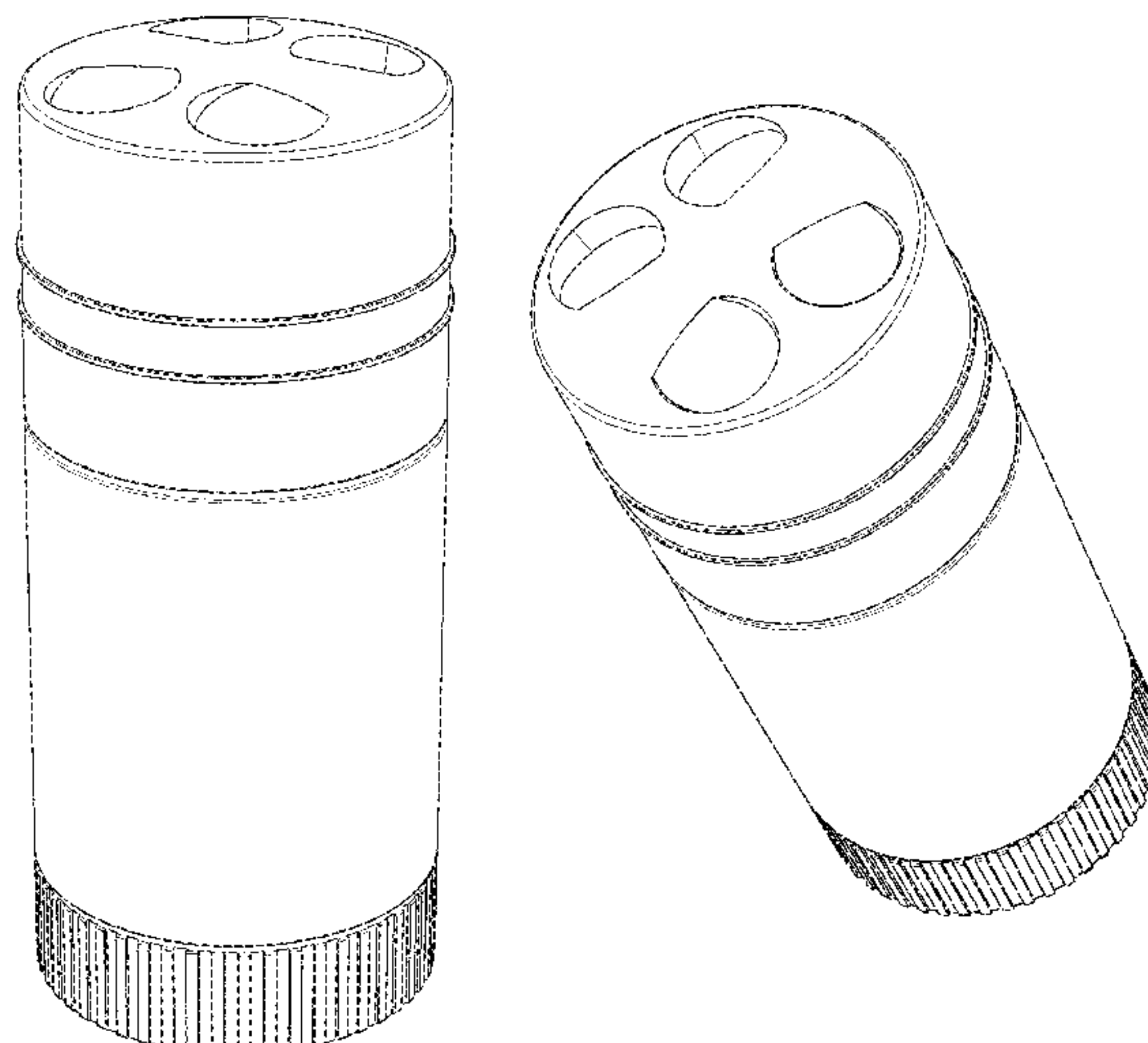
Figure 1.5 is a top plan view of the deodorant stick of Figure 1.1;

Figure 1.6 is an elevated and rotated side perspective view of the deodorant stick of Figure 1.1; and

Figure 1.7 is a lowered and rotated side perspective view of the deodorant stick of Figure 1.1.

The broken lines in Figure 1.4 depict a portion of the deodorant stick and form no part of the claimed design.

1 Claim, 7 Drawing Sheets



(56)

References Cited

U.S. PATENT DOCUMENTS

2017/0127795 A1* 5/2017 Toh A45D 34/041
2017/0196338 A1* 7/2017 Shorland A45D 34/041

* cited by examiner

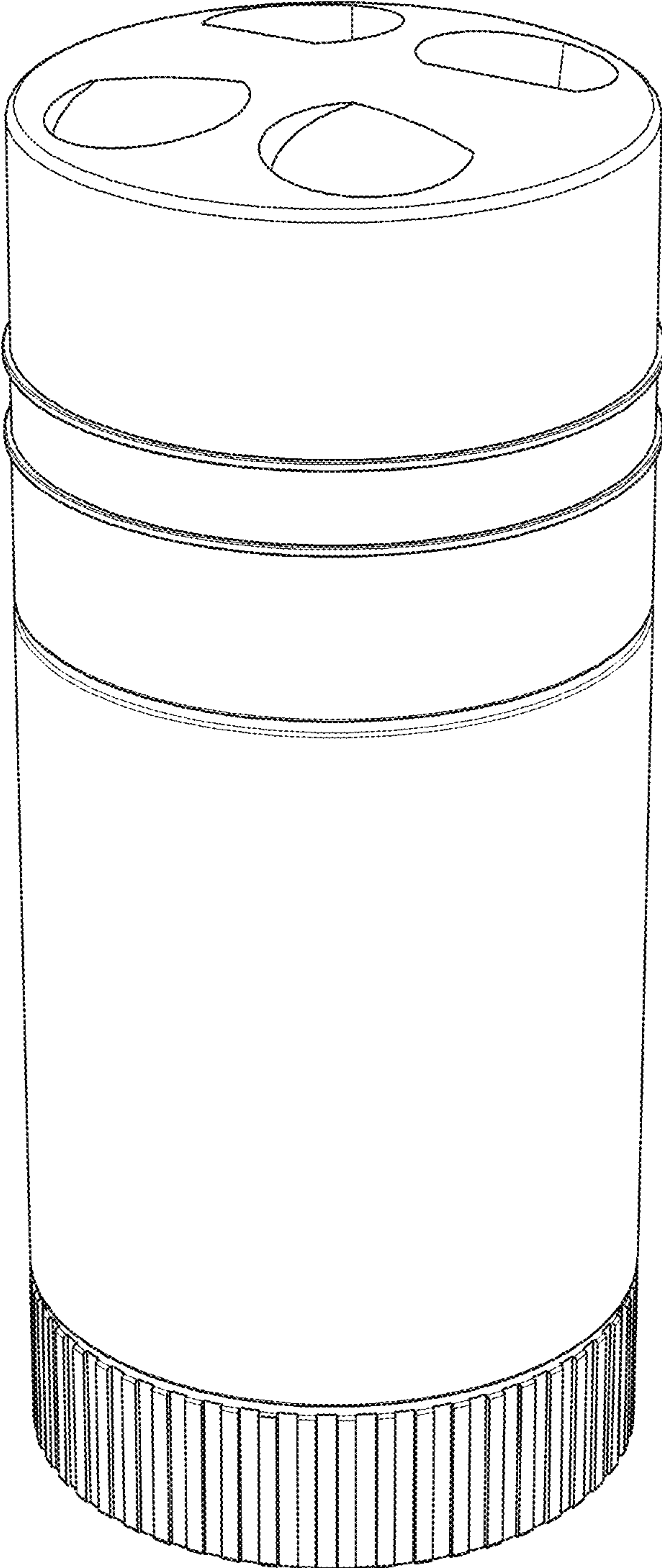


FIG. 1.1

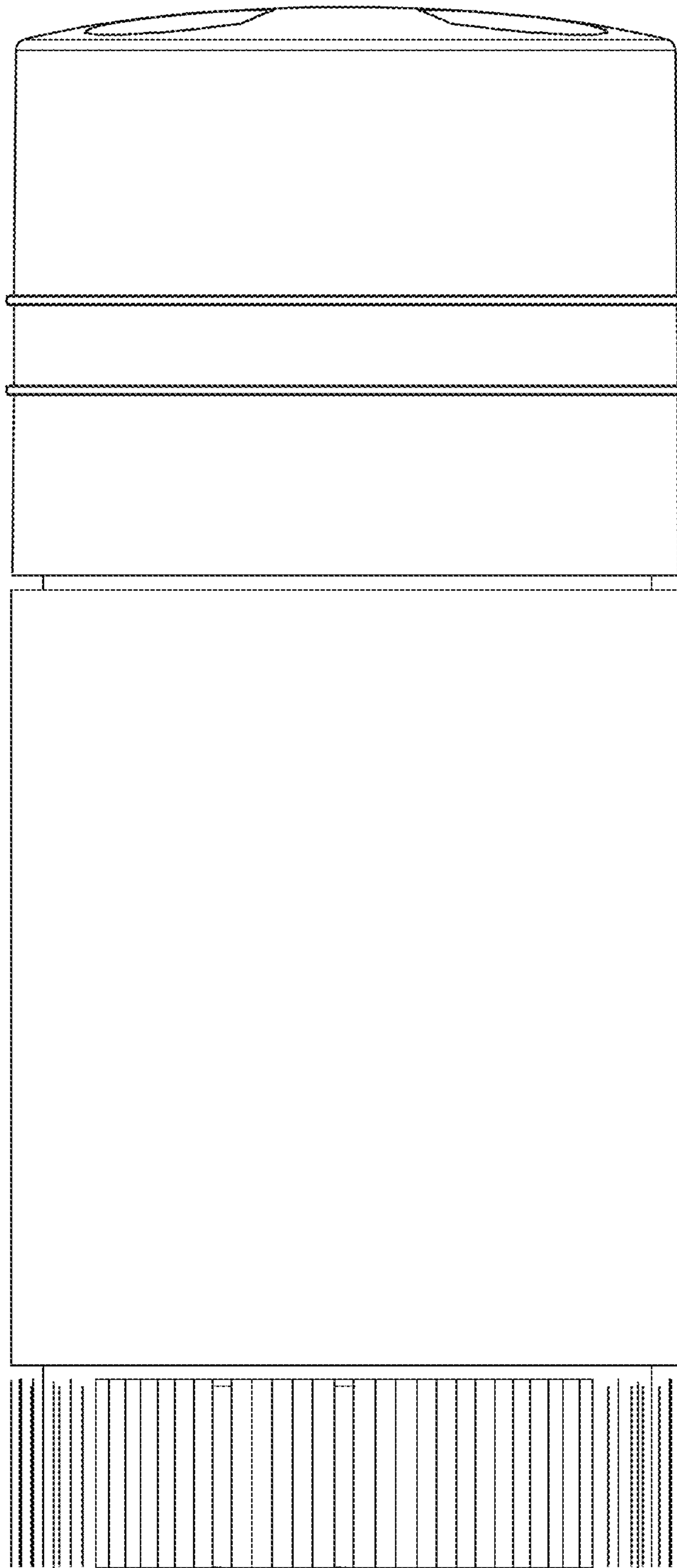


FIG. 1.2

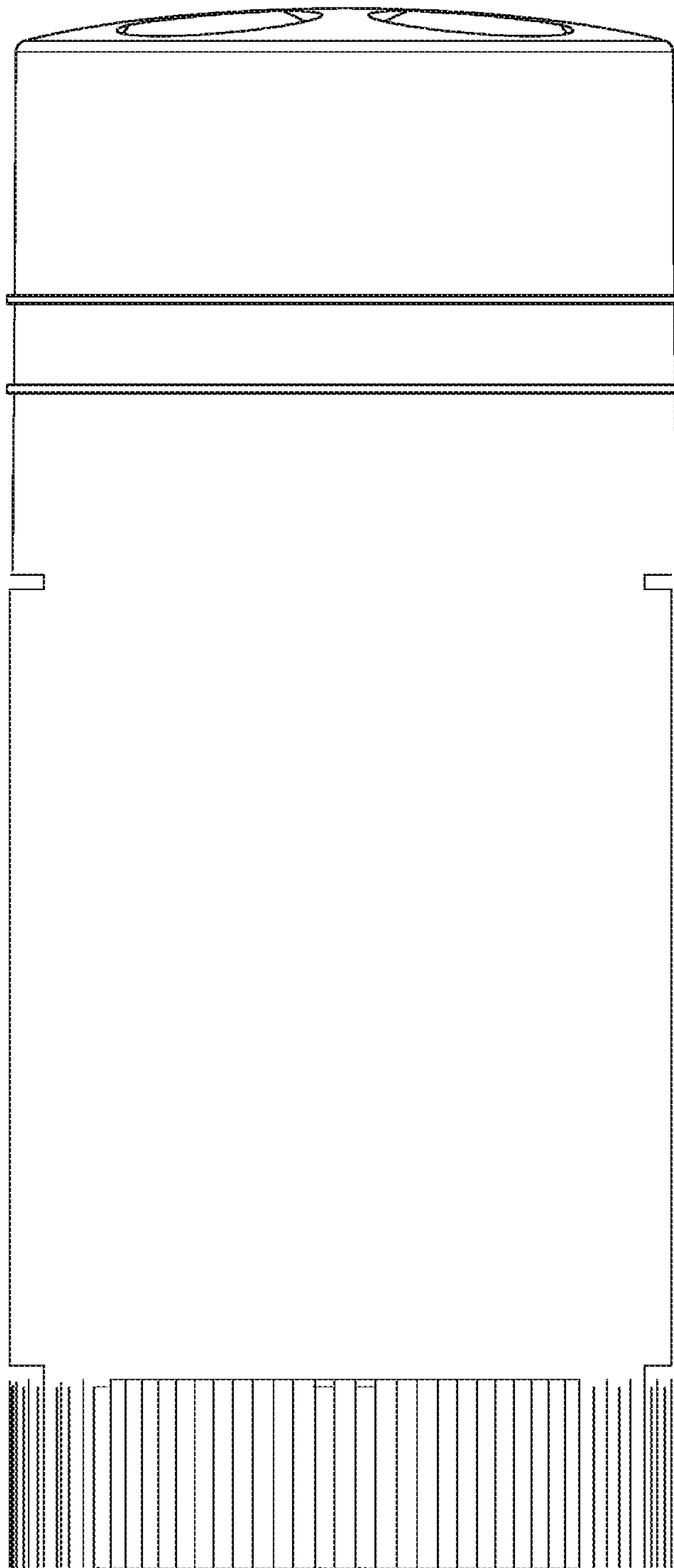


FIG.1.3

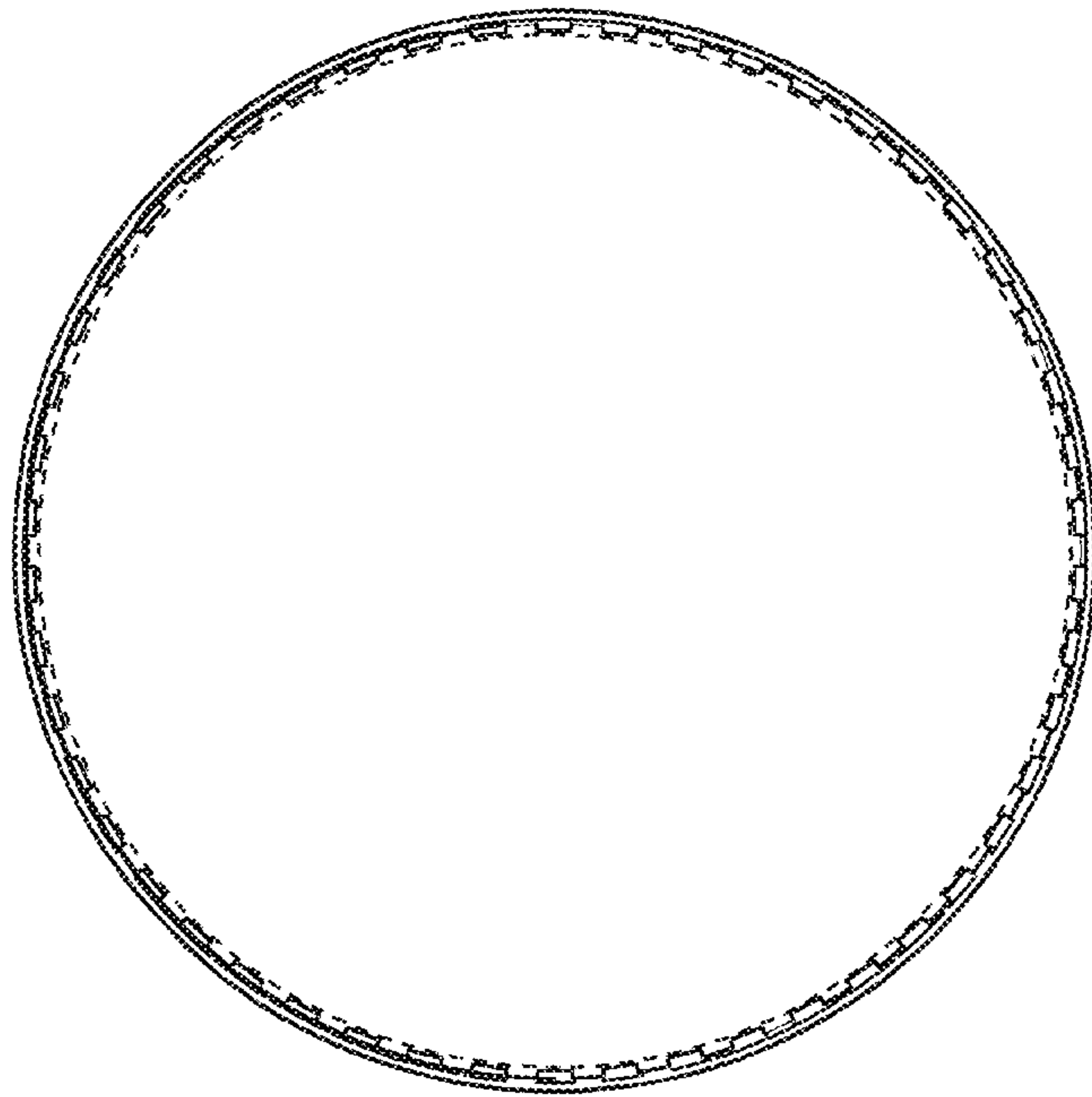


FIG. 1.4

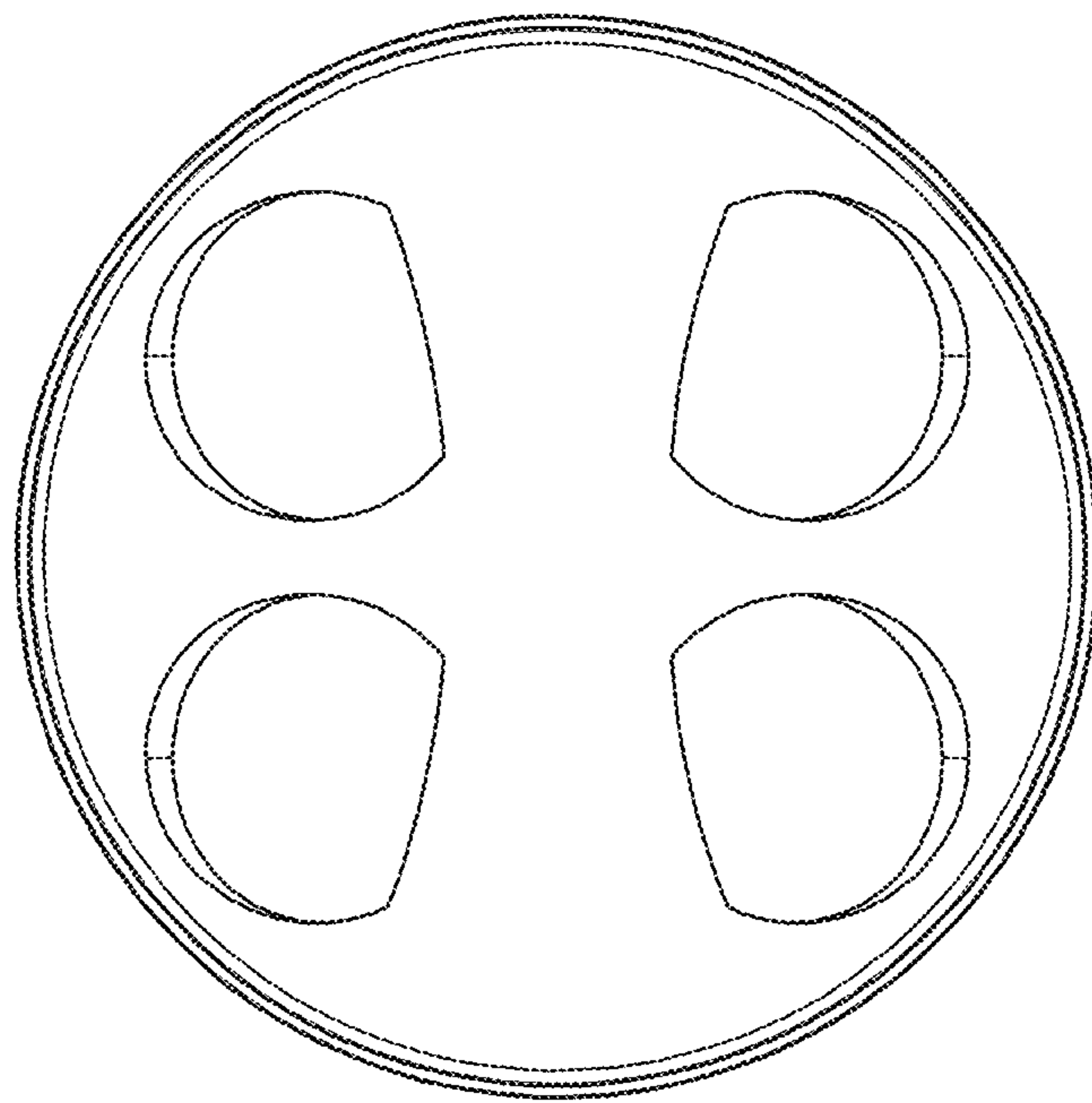


FIG. 1.5

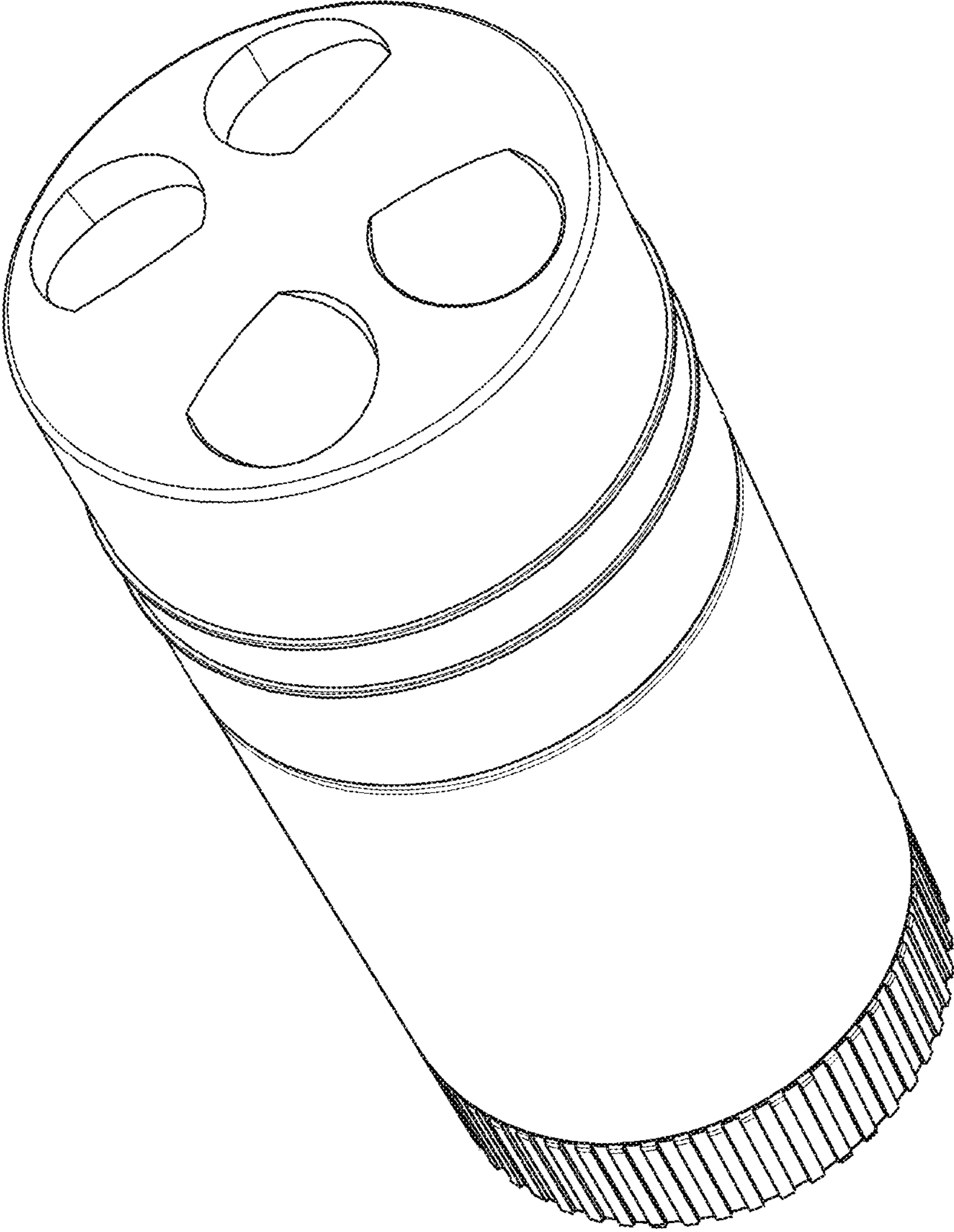


FIG. 1.6

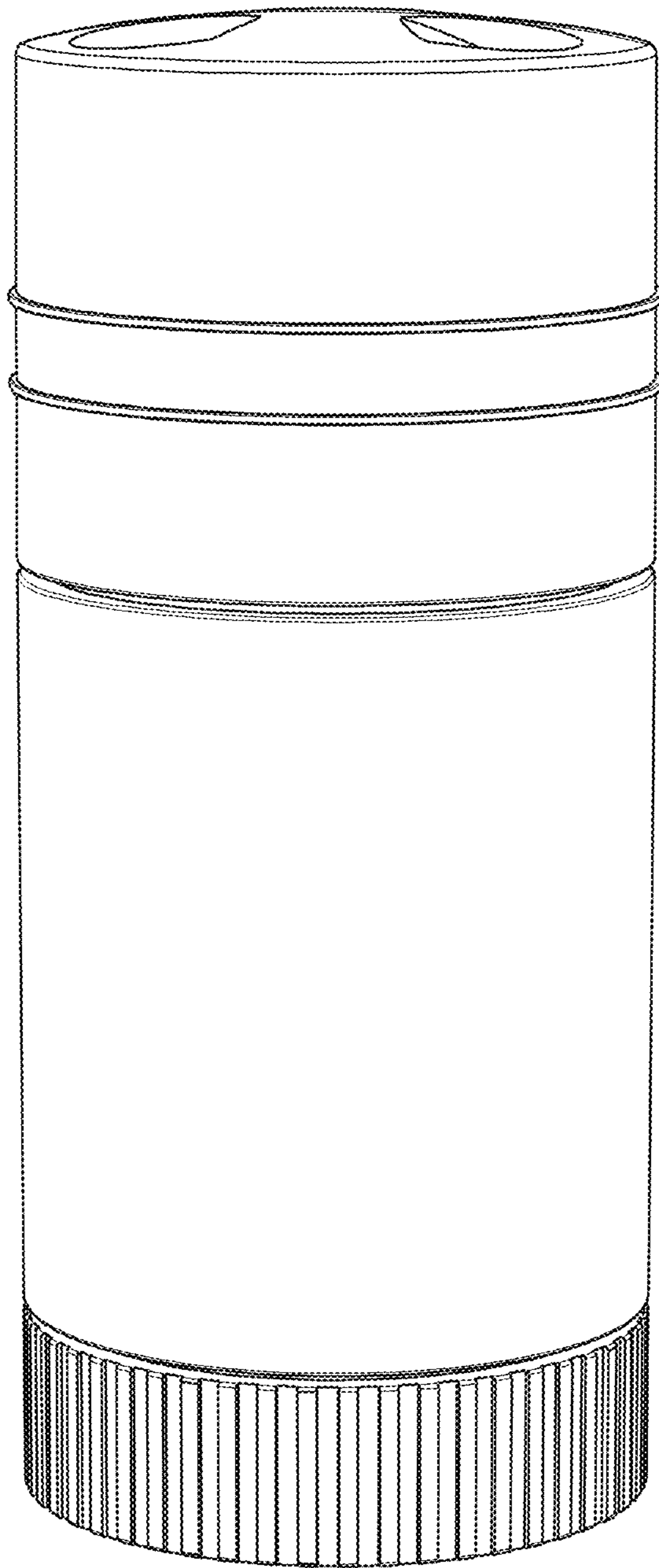


FIG. 1.7