



US00D835519S

(12) **United States Design Patent** (10) **Patent No.:** **US D835,519 S**
Blake (45) **Date of Patent:** **** Dec. 11, 2018**

(54) **DEODORANT DISPENSER**

(71) Applicant: **Kickstart Logic, LLC**, Kansas City, MO (US)

(72) Inventor: **James Blake**, Miramar, FL (US)

(73) Assignee: **Kickstart Logic, LLC**, Kansas City, MO (US)

(**) Term: **15 Years**

(21) Appl. No.: **29/626,401**

(22) Filed: **Nov. 16, 2017**

(51) **LOC (11) Cl.** **09-01**

(52) **U.S. Cl.**
USPC **D9/727**

(58) **Field of Classification Search**
USPC D9/522, 529-530, 539, 549, 558, 723,
D9/724, 726-729; 222/386, 390;
401/68, 75, 172, 175
CPC A45D 40/04; A45D 40/16; A61K 8/28;
A61K 8/342; A61K 8/732
See application file for complete search history.

(56) **References Cited**

U.S. PATENT DOCUMENTS

D285,657 S *	9/1986	Poore	D9/733
D358,531 S *	5/1995	Cousins	D7/612
D414,658 S *	10/1999	Lin	D7/602
D463,282 S *	9/2002	Mitchell	D9/500
D472,145 S *	3/2003	Nottingham	D9/443
D645,750 S *	9/2011	Lee	D9/445

(Continued)

Primary Examiner — Derrick E Holland

Assistant Examiner — Janice Patyk

(74) *Attorney, Agent, or Firm* — Hovey Williams LLP

(57) **CLAIM**

The ornamental design for a deodorant dispenser, as shown and described.

DESCRIPTION

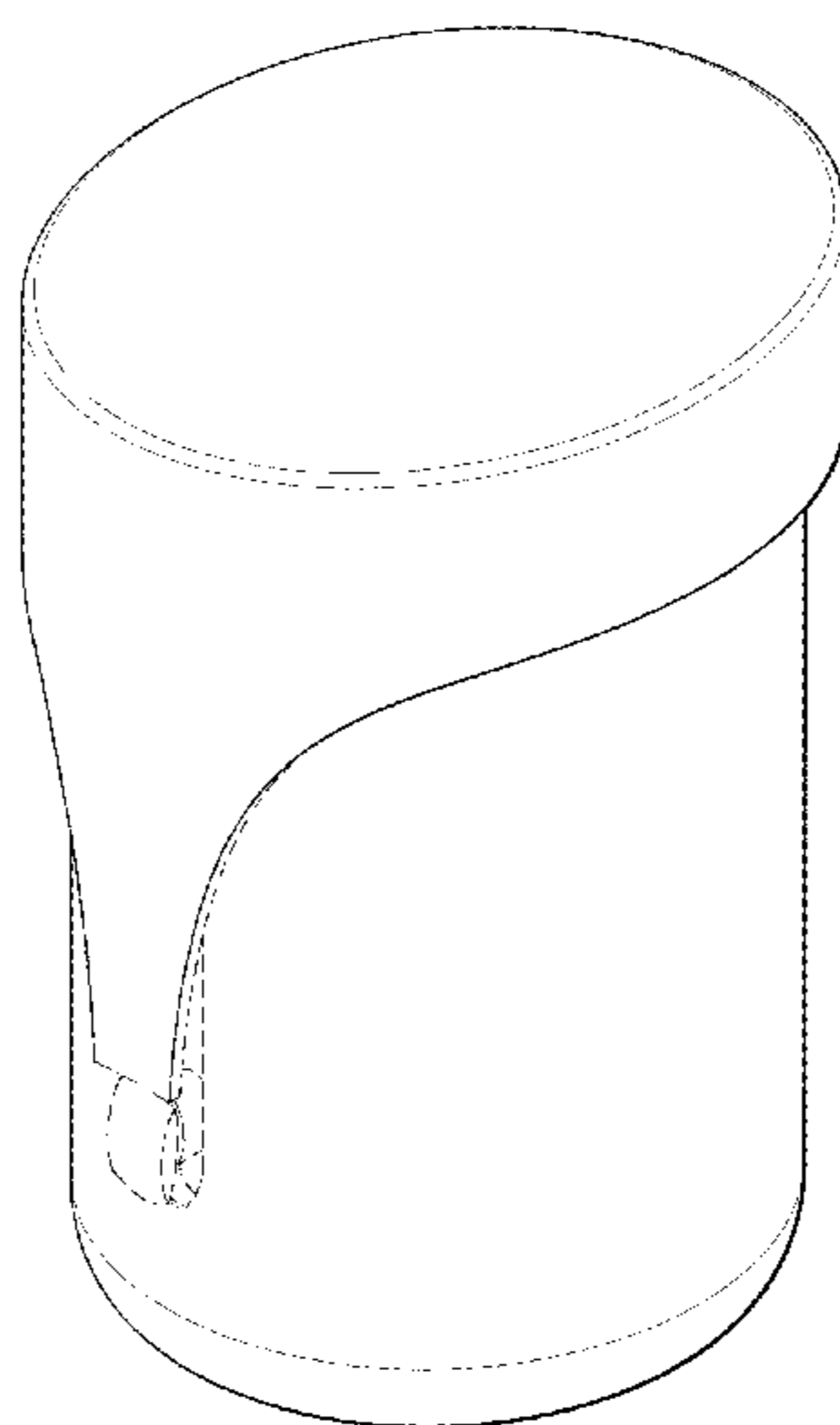
FIG. 1 is a top, front perspective view of embodiment one, of a deodorant dispenser, showing my new design; FIG. 2 is a bottom, rear perspective view thereof; FIG. 3 is a front elevation view thereof; FIG. 4 is a right side elevation view thereof, with the left side elevation view being a mirror image thereof; FIG. 5 is a rear elevation view thereof; FIG. 6 is a top view thereof; FIG. 7 is a bottom view thereof; FIG. 8 is a top, front perspective of embodiment two, of a deodorant dispenser, shown without the cap for ease of illustration, showing my new design; FIG. 9 is a bottom, rear perspective view thereof; FIG. 10 is a front elevation view thereof; FIG. 11 is a right side elevation view thereof, with the left side elevation view being a mirror image thereof; FIG. 12 is a rear elevation view thereof; FIG. 13 is a top view thereof; FIG. 14 is a bottom view thereof; FIG. 15 is a top, front perspective view of embodiment three, of a deodorant dispenser, shown without the body for ease of illustration, showing my new design; FIG. 16 is a bottom, rear perspective view thereof; FIG. 17 is a front elevation view thereof; FIG. 18 is a right side elevation view thereof, with the left side elevation view being a mirror image thereof; FIG. 19 is a rear elevation view thereof; FIG. 20 is a top view thereof; and, FIG. 21 is a bottom view thereof.

The dot-dash broken lines immediately adjacent to the claimed areas in the views represent the boundaries of the design and form no part thereof.

The broken lines in the figures illustrate the portions of the design that form no part of the claimed design.

None of the broken lines form any part of the claimed design.

1 Claim, 9 Drawing Sheets



(56)

References Cited

U.S. PATENT DOCUMENTS

D660,084 S * 5/2012 Gilbert D7/510
D699,112 S * 2/2014 Jung D28/76

* cited by examiner

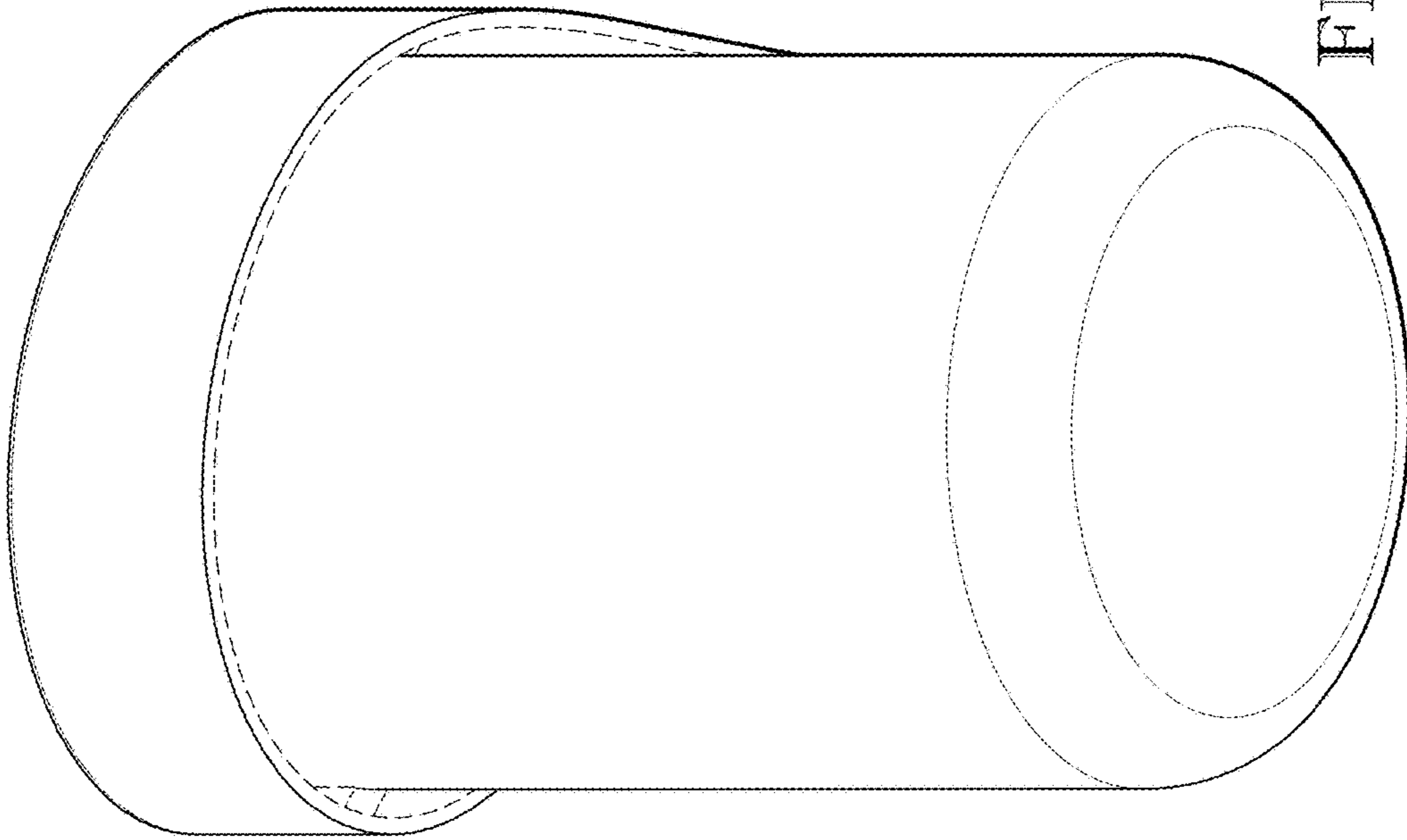


FIG. 2

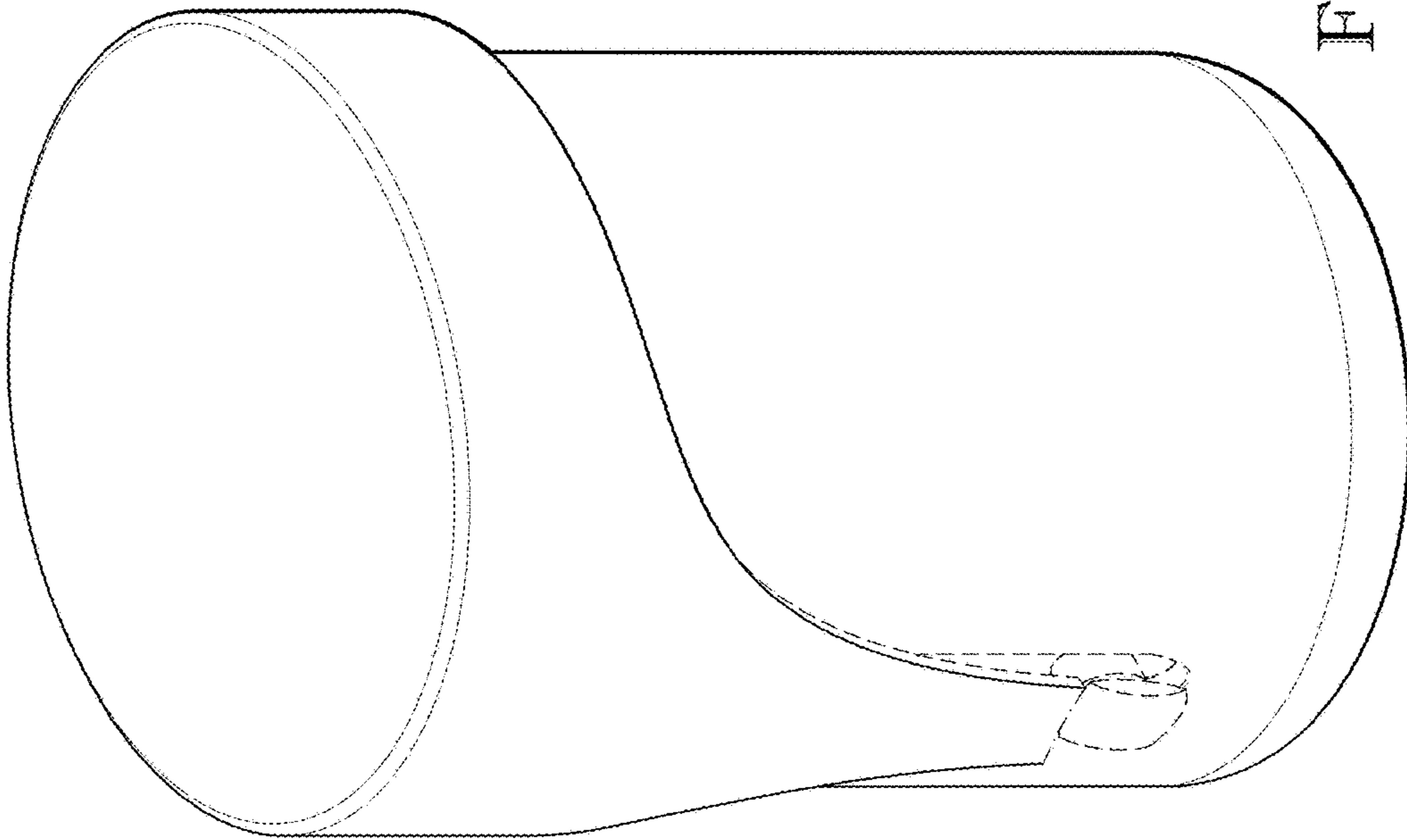


FIG. 1

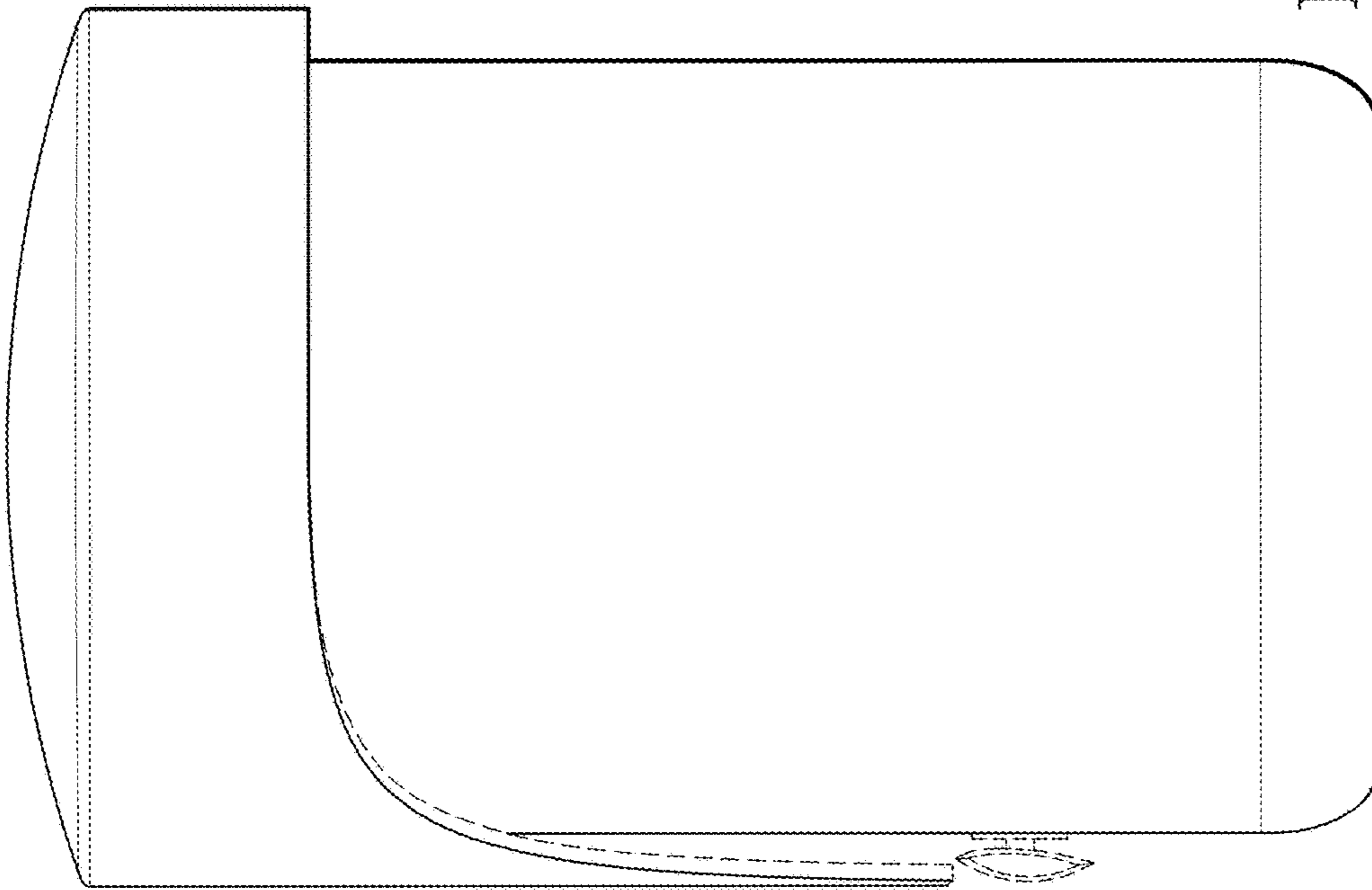


FIG. 3

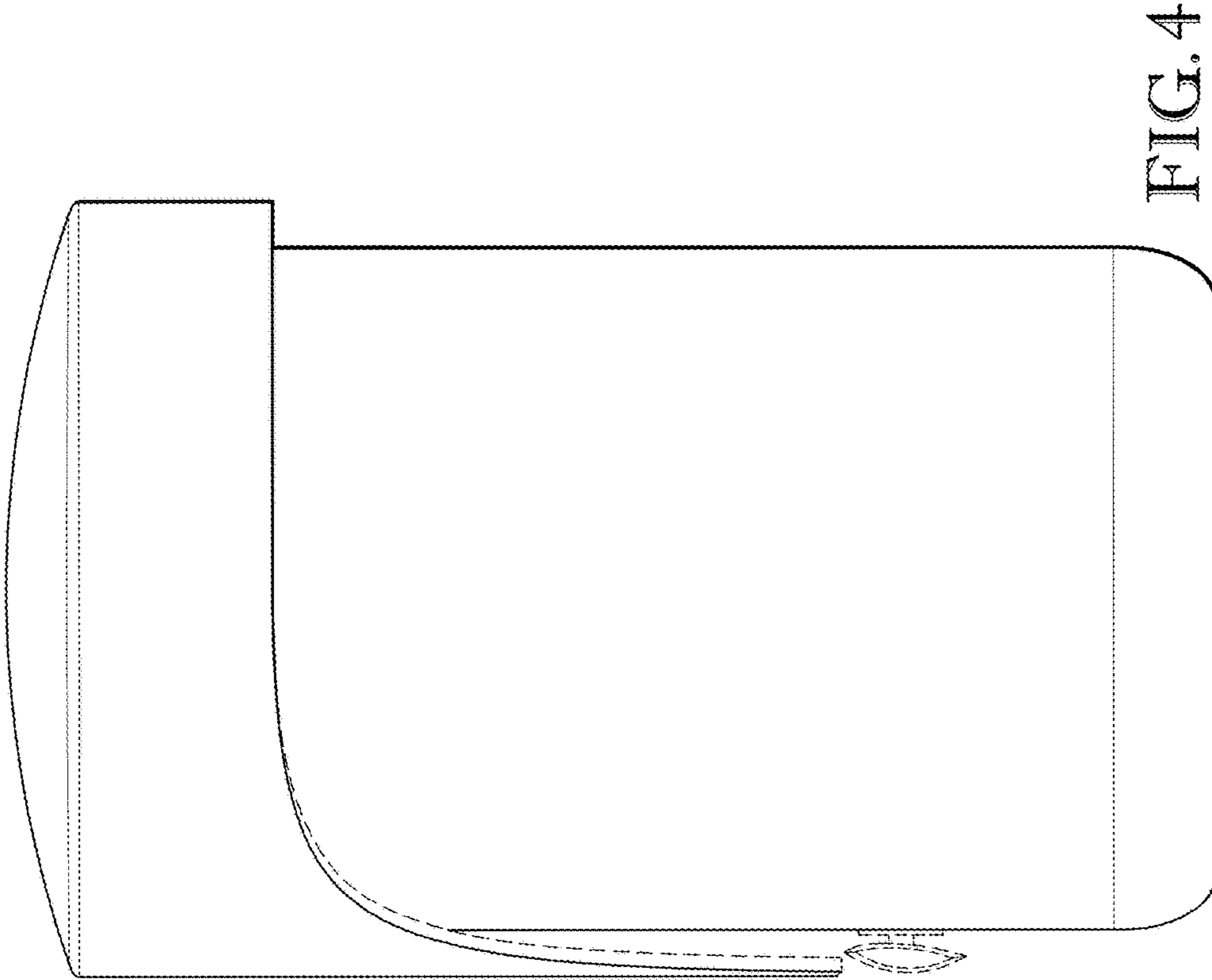


FIG. 4

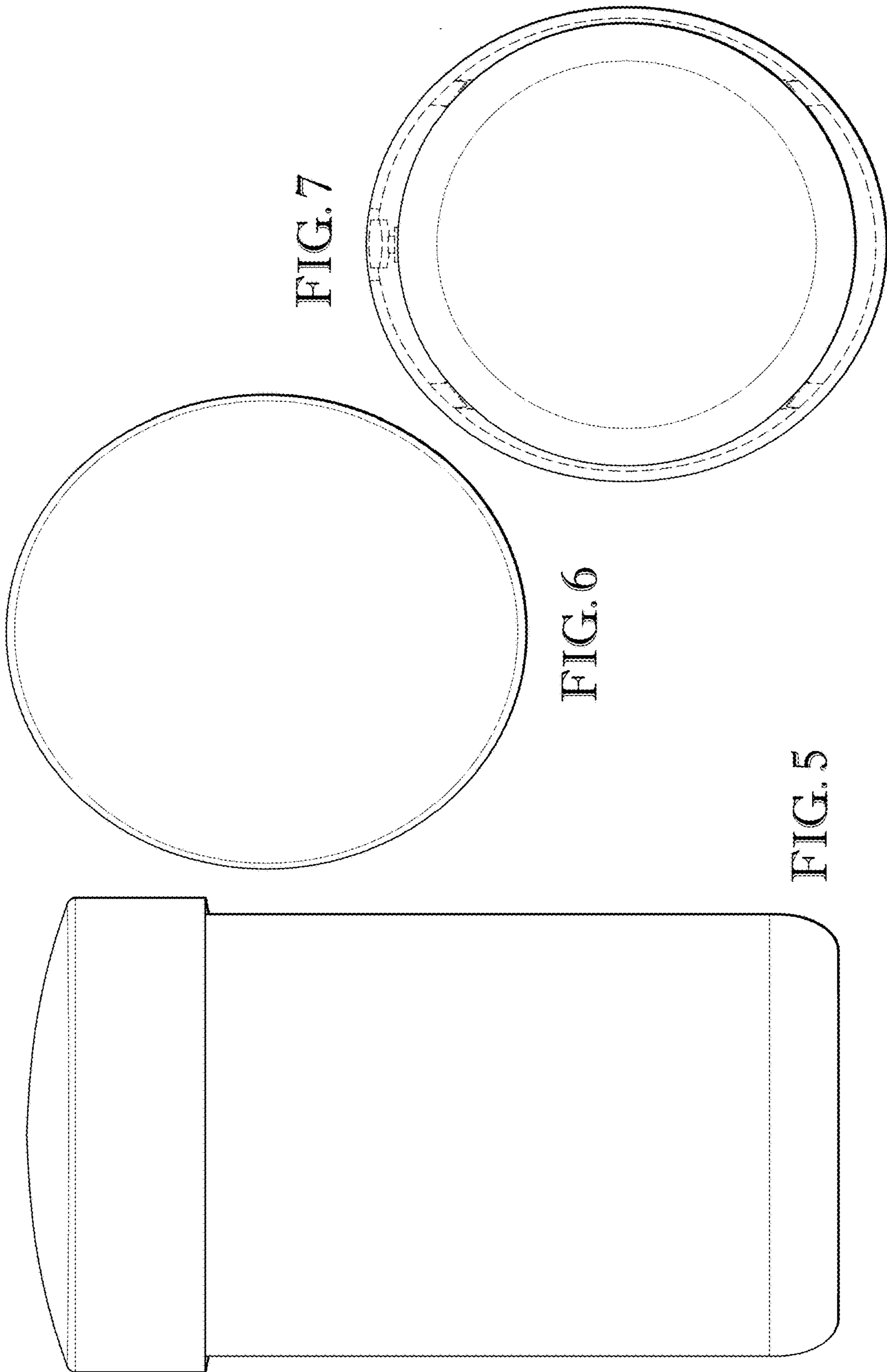


FIG. 7

FIG. 6

FIG. 5

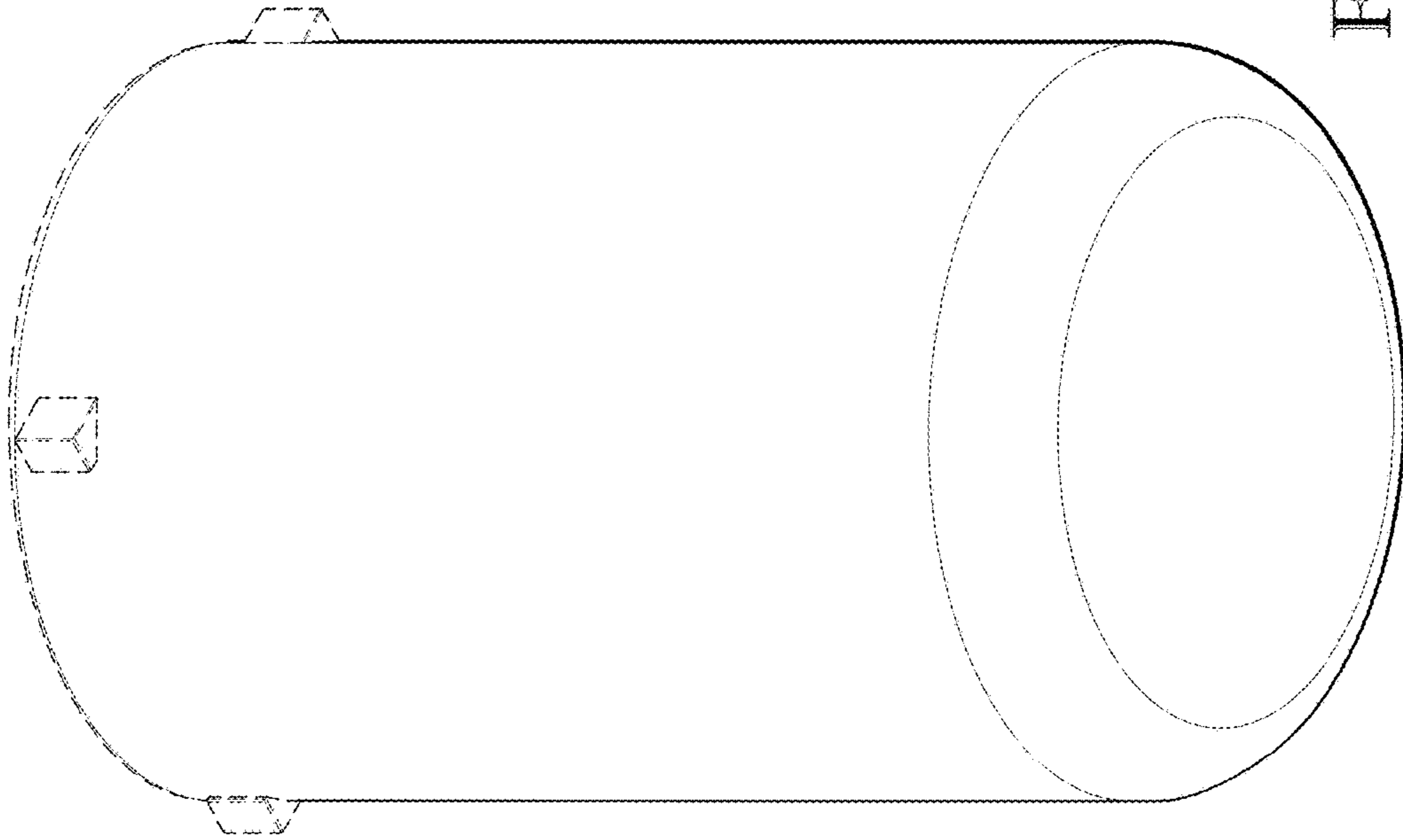


FIG. 9

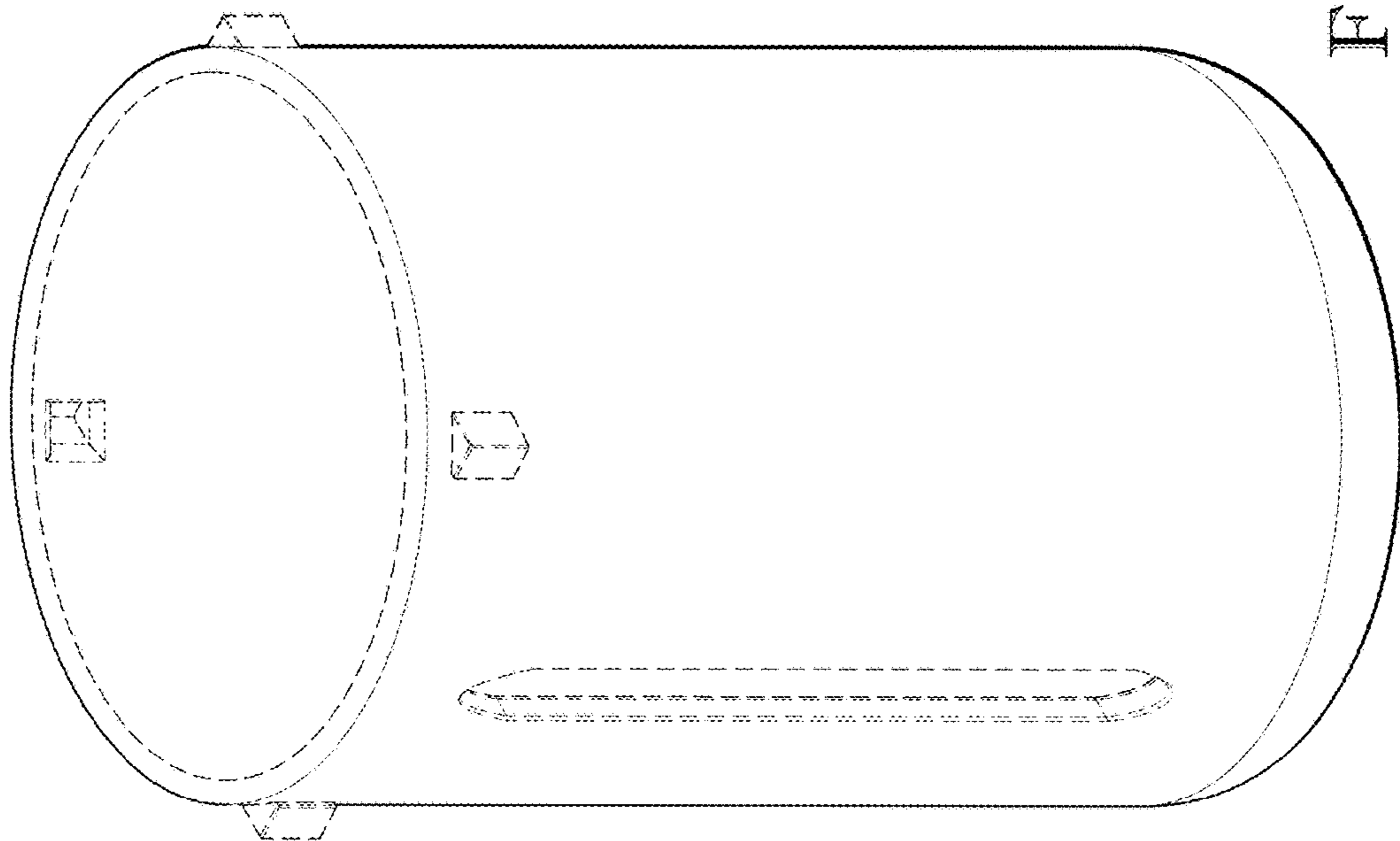


FIG. 8

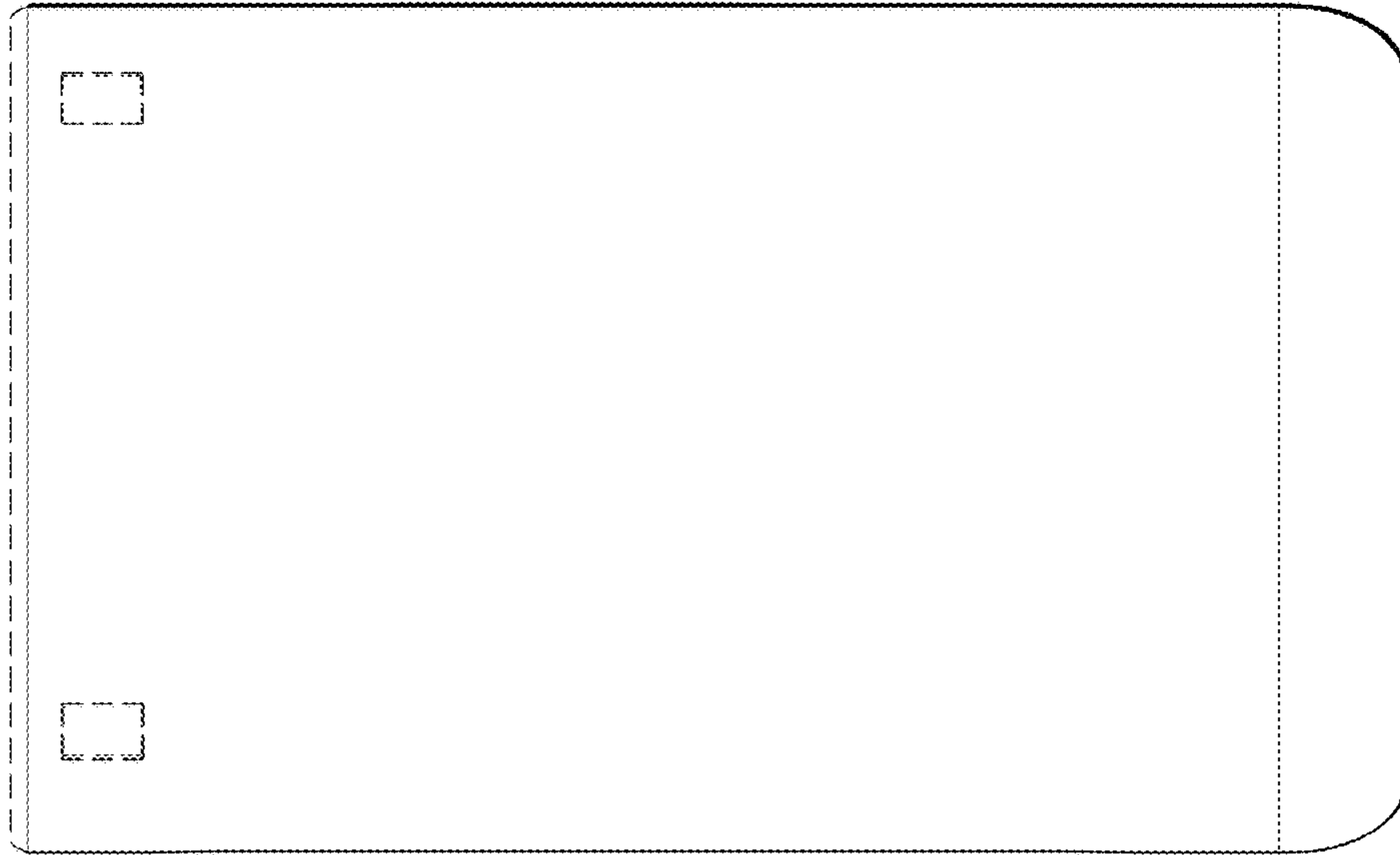


FIG. 11

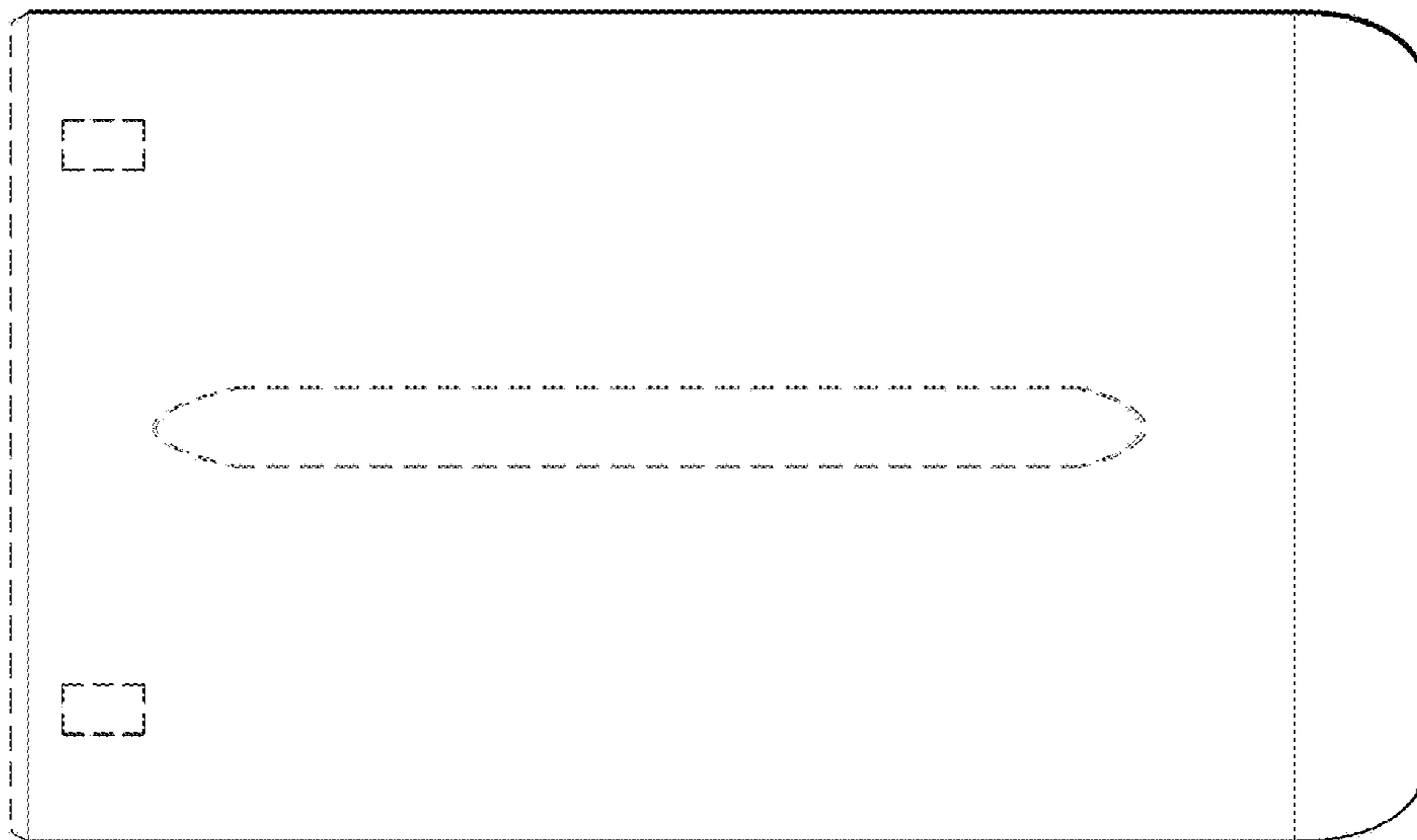


FIG. 10

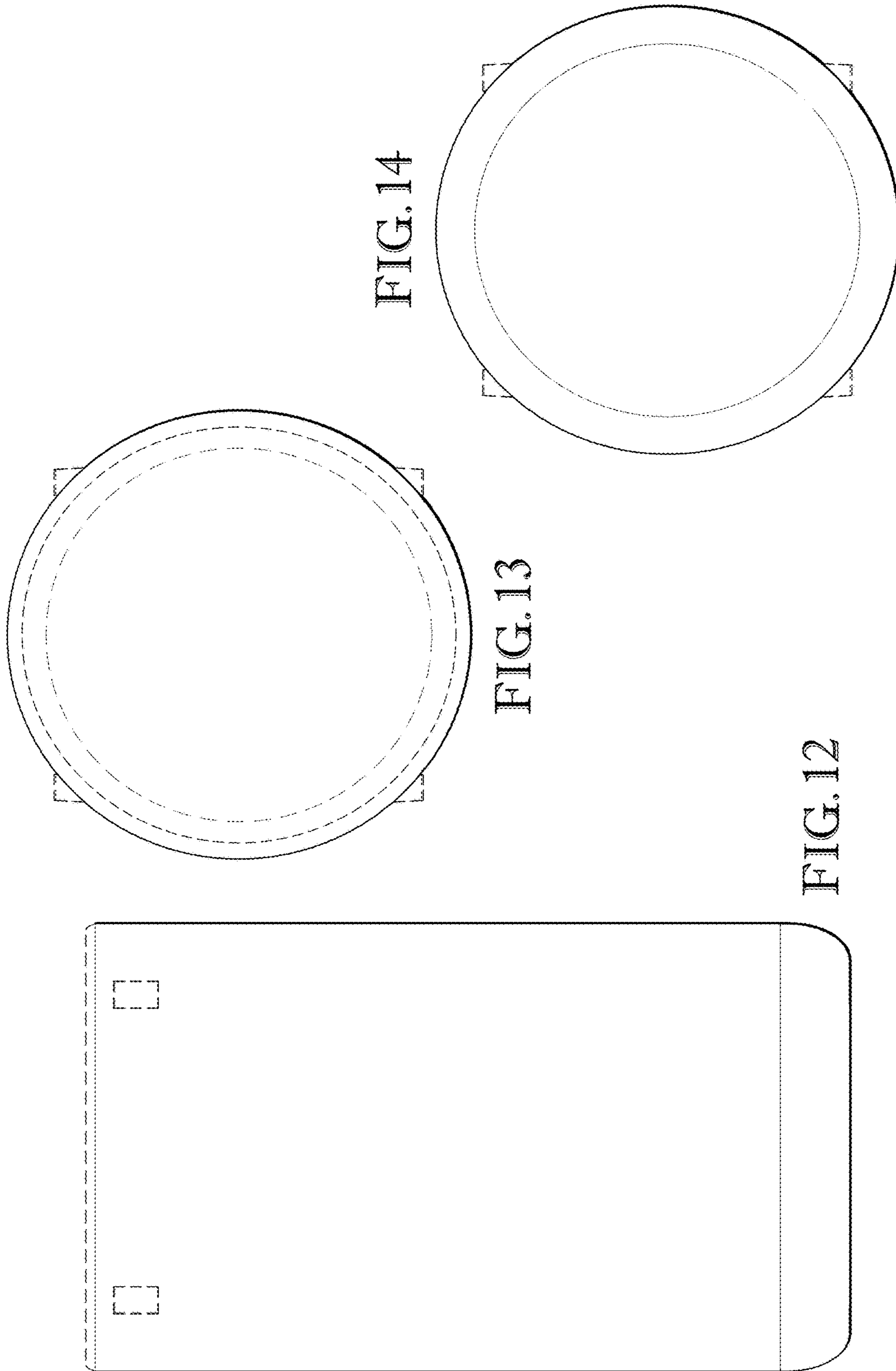


FIG. 14

FIG. 13

FIG. 12

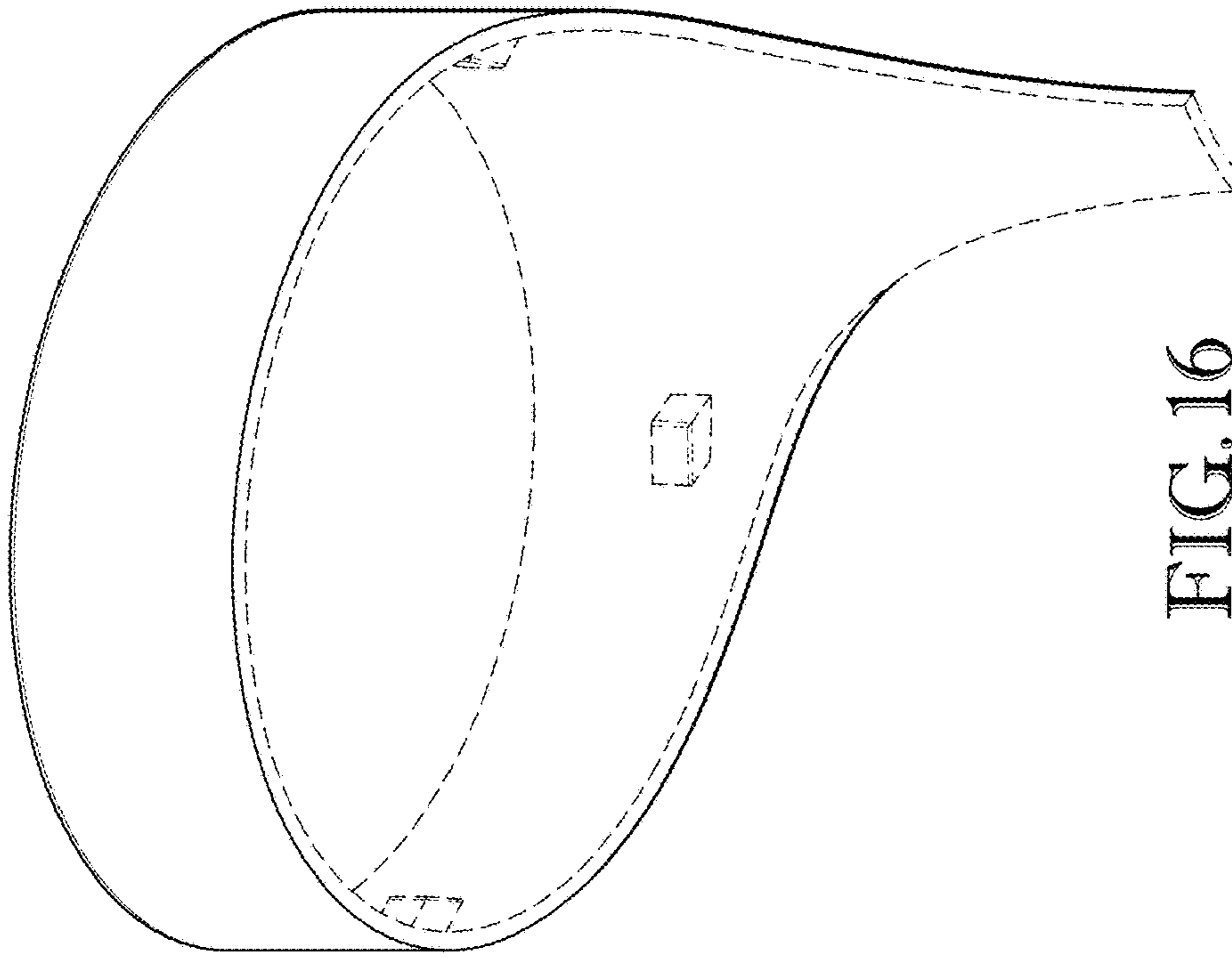


FIG. 16

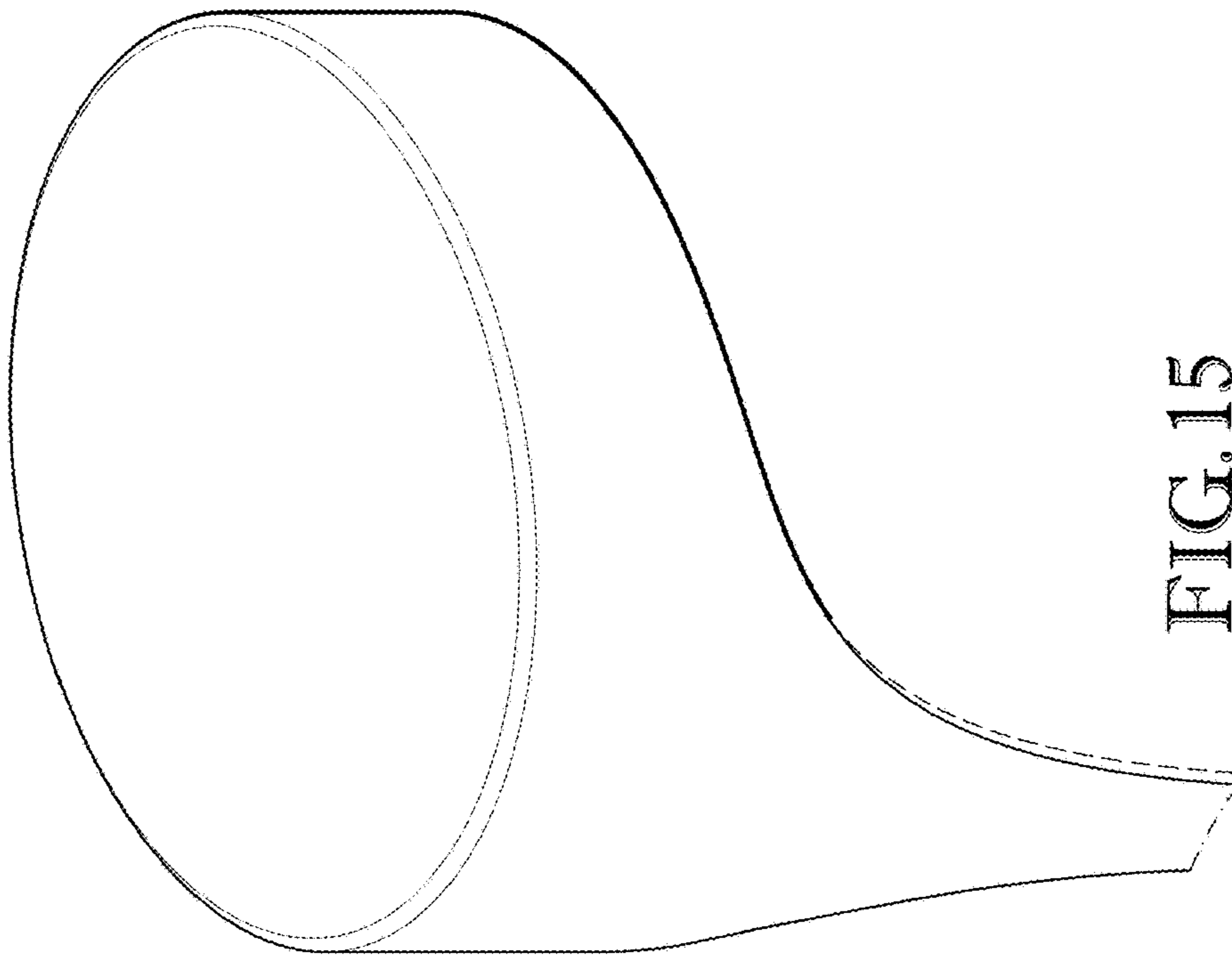


FIG. 15

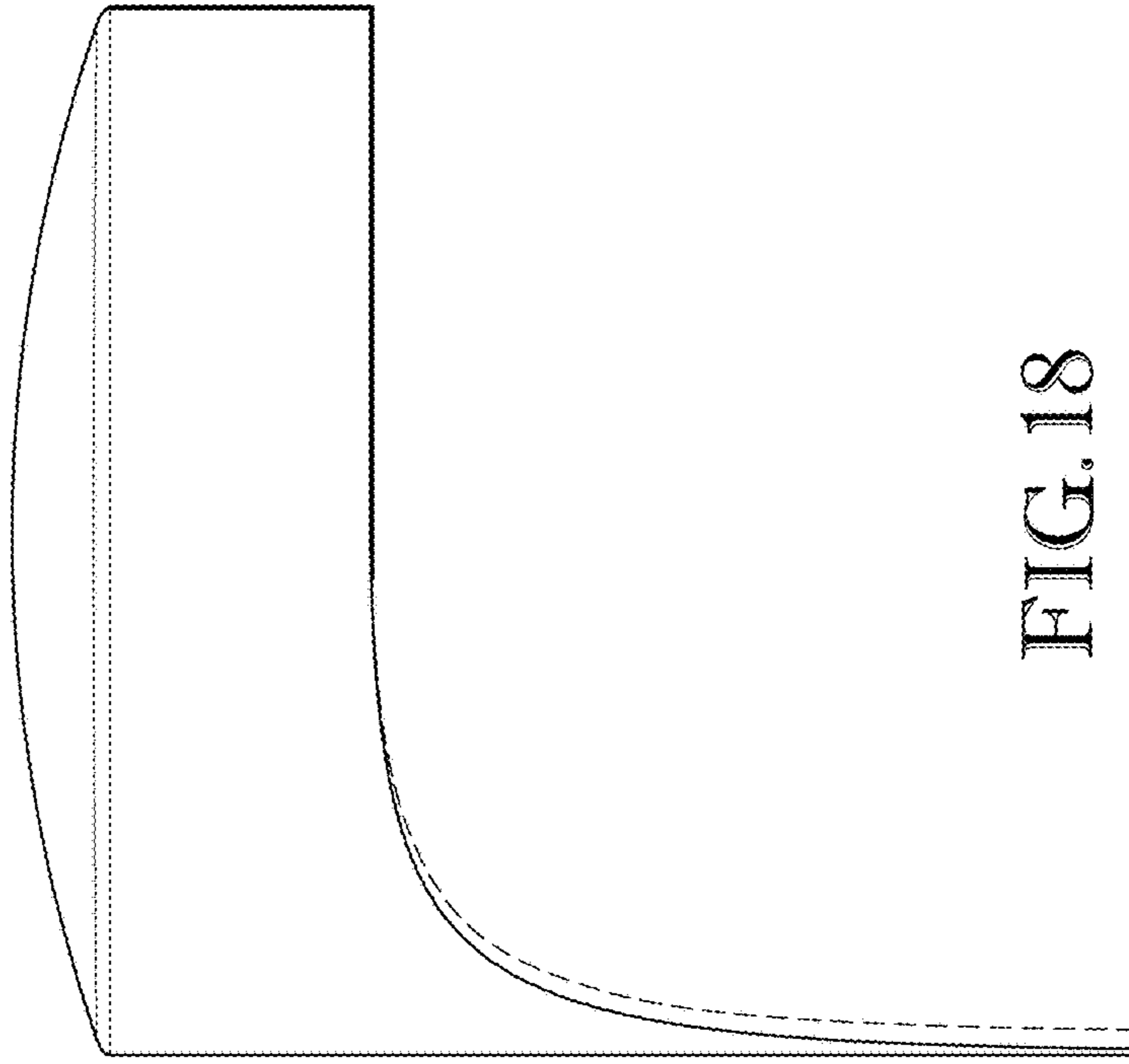


FIG. 18

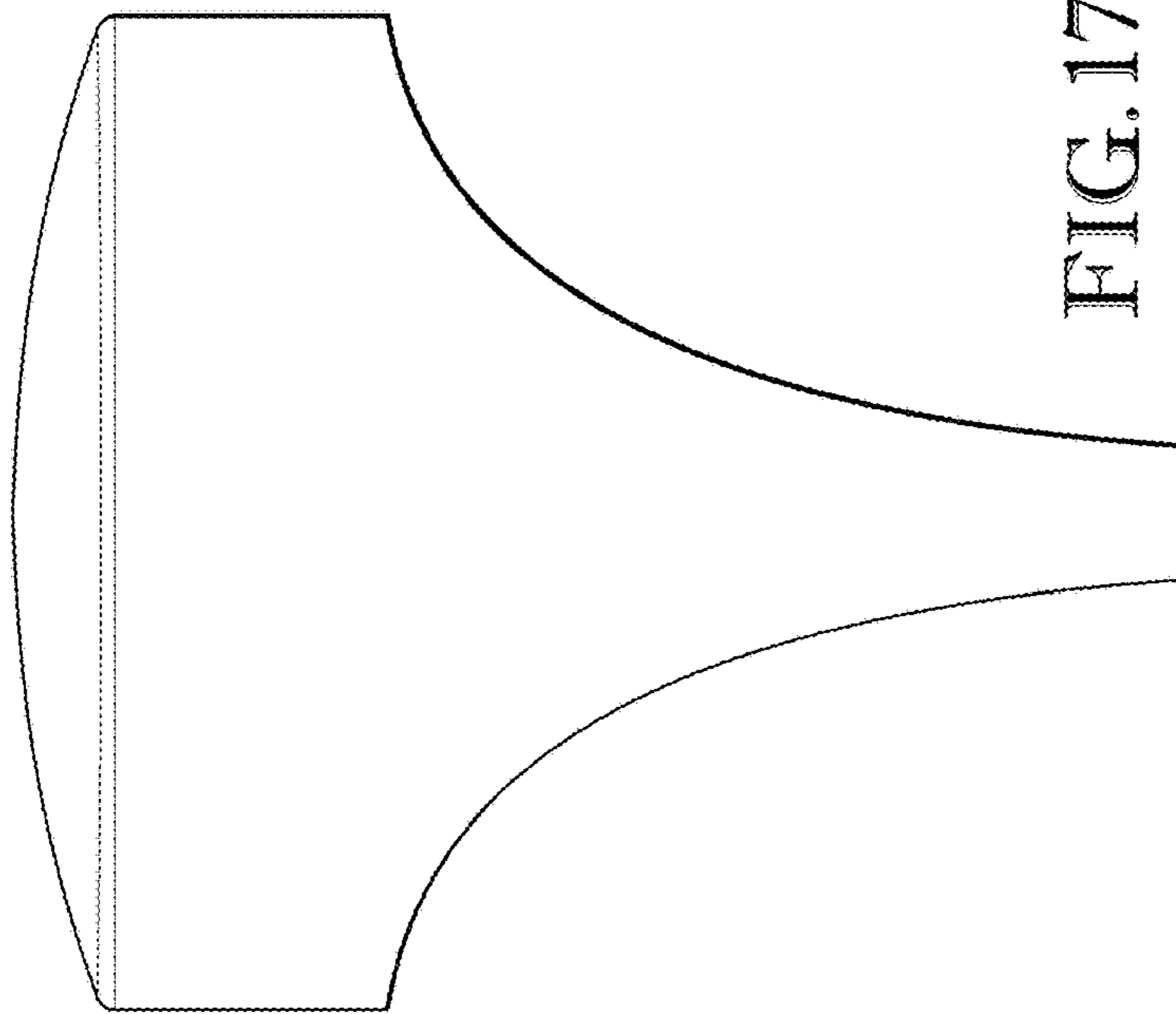


FIG. 17

