



US00D835516S

(12) **United States Design Patent** (10) **Patent No.:** **US D835,516 S**
Billen (45) **Date of Patent:** **** Dec. 11, 2018**

(54) **VEHICLE CARTON**
(71) Applicant: **Kid Stuff Marketing, Inc.**, Topeka, KS (US)
(72) Inventor: **William D. Billen**, Topeka, KS (US)
(73) Assignee: **Kid Stuff Marketing, Inc.**, Topeka, KS (US)
(**) Term: **15 Years**

D256,670 S 9/1980 Fish
4,643,349 A 2/1987 Sheffer
4,646,959 A 3/1987 Sheffer
4,661,082 A 4/1987 Sheffer
4,804,133 A 2/1989 Klyokane
5,454,508 A 10/1995 Billen
D374,175 S 10/1996 Tesar
5,622,256 A 4/1997 Tesar
D386,399 S 11/1997 Stokely et al.
D408,211 S 4/1999 Cordell
D444,187 S 6/2001 Mankowski
D531,516 S 11/2006 Sellars

(Continued)

(21) Appl. No.: **29/603,844**

(22) Filed: **May 12, 2017**

(51) **LOC (11) Cl.** **09-01**

(52) **U.S. Cl.**
USPC **D9/675; D21/551**

(58) **Field of Classification Search**
USPC D3/270, 271.1-271.4; D7/510, 514-520, D7/599, 604, 613, 619.2, 623, 628; D9/600, 672-678, 414, 430-434; 206/457, 459.5, 488, 527; 215/381-384, 215/400; 229/116.1, 116.4; D21/551
CPC B65D 5/4258; B65D 81/60; B65D 81/365; B65D 81/366; B65D 81/368; B65D 2203/00; B65D 2203/02; B65D 67/00; A63H 81/16; A63F 9/001
See application file for complete search history.

(56) **References Cited**

U.S. PATENT DOCUMENTS

979,812 A 12/1910 Warren
1,330,654 A 2/1920 Alexander
1,547,176 A 7/1925 Lazaron
1,553,793 A 9/1925 Rozowsky
2,118,821 A 5/1938 Ringler
D172,877 S 8/1954 Handler et al.
2,823,844 A 2/1958 Frankenstein
3,224,660 A 12/1965 Willis
D214,262 S 5/1969 Paige
D219,930 S 2/1971 Fogarty et al.
4,055,250 A 10/1977 Mayhew

OTHER PUBLICATIONS

2007 QSR/FPI Foodservice Packaging Awards, dated Oct. 23, 2007. www.slideshare.net/purdy/2007-qsr-fpi-foodservice-packaging-awards.*

(Continued)

Primary Examiner — Sandra L Morris
(74) *Attorney, Agent, or Firm* — Erickson Kernell IP, LLC

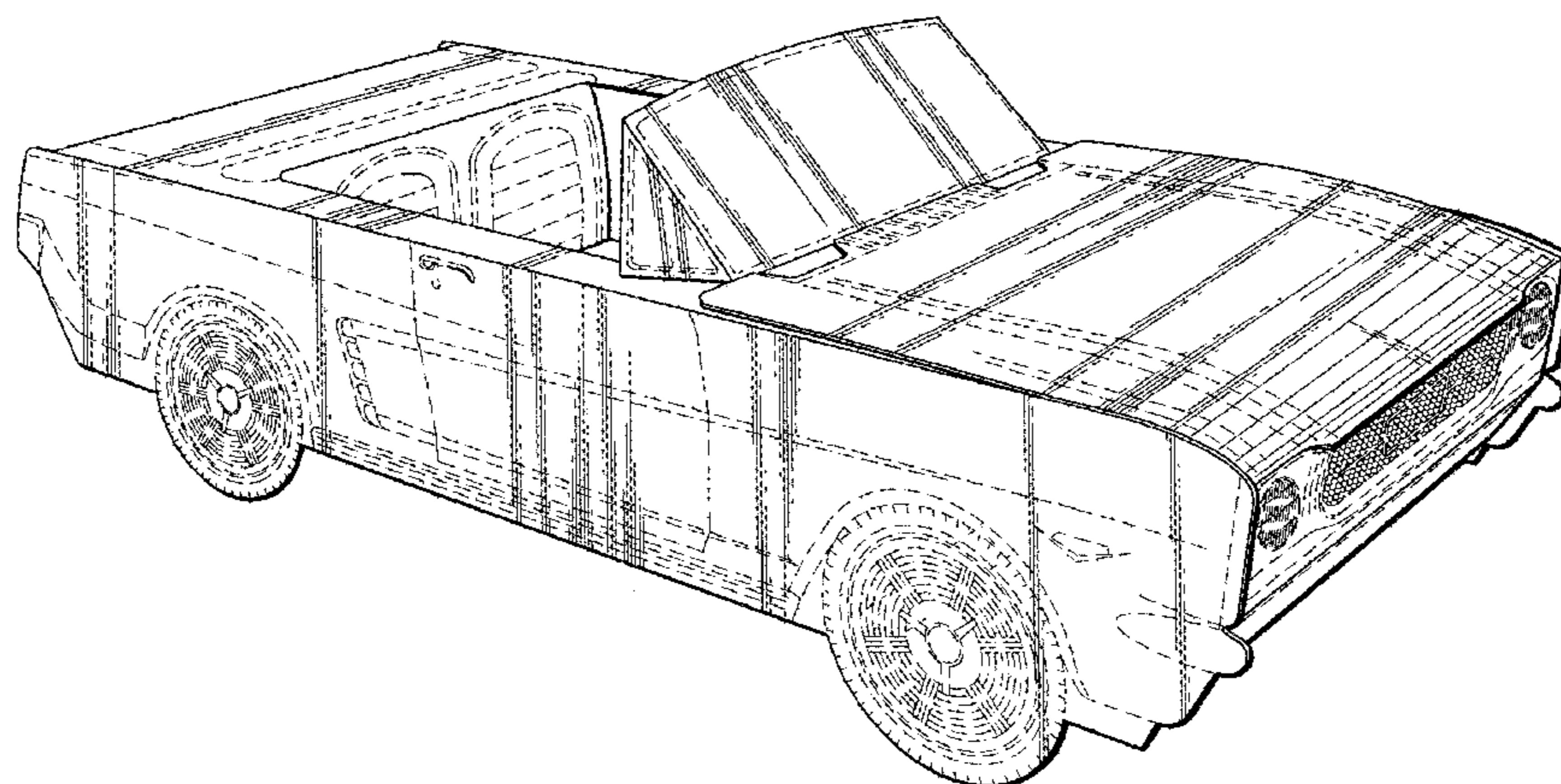
(57) **CLAIM**

The ornamental design for a vehicle carton, as shown and described.

DESCRIPTION

FIG. 1 is a perspective view of an ornament design for a vehicle carton;
FIG. 2 is a side view thereof;
FIG. 3 is a top view thereof;
FIG. 4 is a front end view thereof;
FIG. 5 is a rear end view thereof;
FIG. 6 is a bottom view thereof; and,
FIG. 7 is a flat unfolded view thereof.
The broken lines in FIGS. 1-6 are for illustrative purposes only and form no part of the design. The dotted lines in FIG. 7 depict fold lines.

1 Claim, 6 Drawing Sheets



(56)

References Cited

OTHER PUBLICATIONS

U.S. PATENT DOCUMENTS

D534,810 S 1/2007 Sellars
 D536,260 S 2/2007 Young et al.
 D538,176 S 3/2007 Wilburn
 D547,396 S 7/2007 Yaguchi
 7,317,573 B2 1/2008 Billen
 7,487,903 B2 2/2009 Billen
 D593,615 S * 6/2009 Woodard D21/551
 7,765,551 B2 2/2010 Broberg
 D638,305 S 5/2011 Brogan et al.
 8,511,537 B2 8/2013 Billen
 8,783,548 B2 7/2014 Billen
 D751,414 S 3/2016 Billen
 D752,449 S 3/2016 Billen
 D752,450 S 3/2016 Billen
 D752,451 S 3/2016 Billen
 D763,097 S 8/2016 Billen
 D763,098 S 8/2016 Billen
 D763,099 S 8/2016 Billen
 D768,003 S * 10/2016 Billen D21/551
 9,469,460 B2 10/2016 Billen
 D778,169 S 2/2017 Billen
 D792,235 S 7/2017 Billen
 D792,236 S 7/2017 Billen
 D792,237 S 7/2017 Billen
 2008/0257941 A1 * 10/2008 Billen A63H 33/16
 229/116.4
 2014/0166735 A1 * 6/2014 Billen B65D 5/425
 229/116.4
 2015/0329269 A1 * 11/2015 Billen B65D 5/4266
 229/116.4

40th Anniversary Ford Mustang Classic Cruisers Carton, date Apr. 23, 2004. www.toydirectory.com/monthly/toyshow/product.asp?product_id=2559&company_id=408.*

Classic car carton, date Jul. 22, 2008. www.blog.retroplanet.com/retro-party-favors/.*

Classic Cruiser carton, dated Mar. 25, 2014. www.blog.retroplanet.com/cars-party-favors-gifts/.*

<https://www.carsforsale.com/vehicle/details/14107999>.

Automobile catalog, <http://www.automobile-catalog.com/photo/1958/293750/83510.html>, Buick Series 60 Century Convertible Variable-Pitch-Dynaflow (1958), GM Corp., undated.

Barrett-Jackson Auction Company, <http://www.barrett-jackson.com/Events/Event/Details/1958-CHEVROLET-CORVETTE-CONVERTIBLE-139302>, 1958, Chevrolet Corvette Convertible.

www.boldride/ride/1957/ford-fairlane-500-sunliner-convertible.

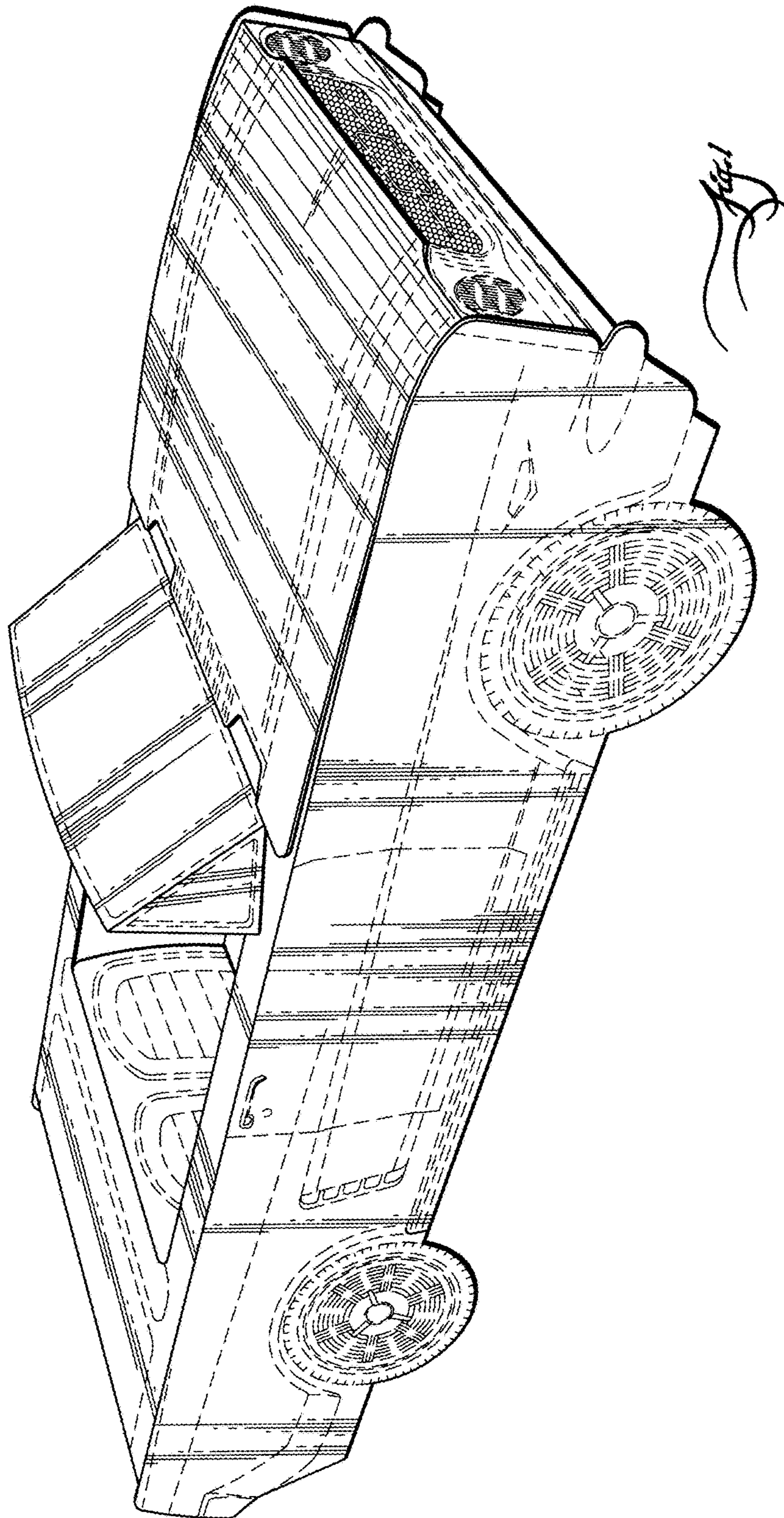
<http://classiccars.com/listings/view/589739/1958-chevrolet-impala-for-sale-in-west-okoboji-iowa-51351>.

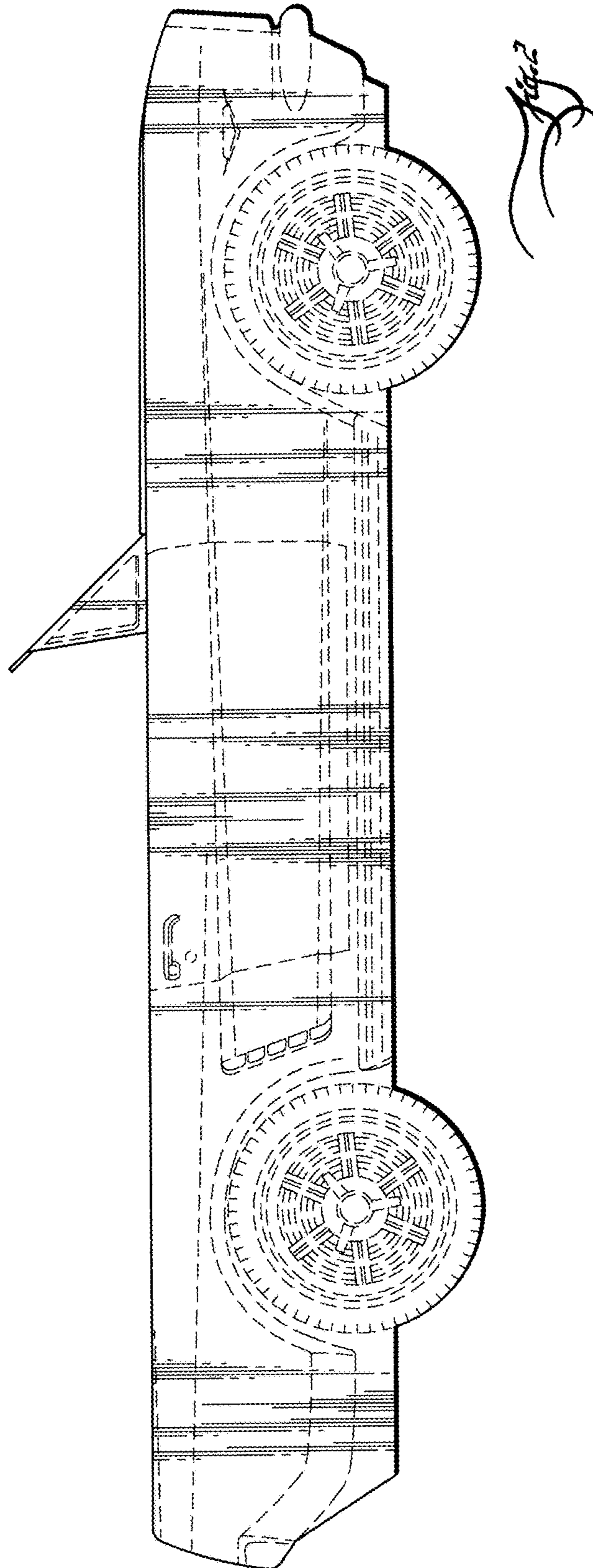
Daniel Schmitt & Co. Classic Car Gallery, www.schmitt.com/inventory/ds-1958-pontiac-bonneville-convertible, undated.

Thunderbird Ranch, www.tbirdranch.com/6163specific.html.

<http://mecum.com/lot-detail/CA0810-96584/0/1958-Ford-Fairlane-500-Sunliner-convertible/automatic>.

* cited by examiner





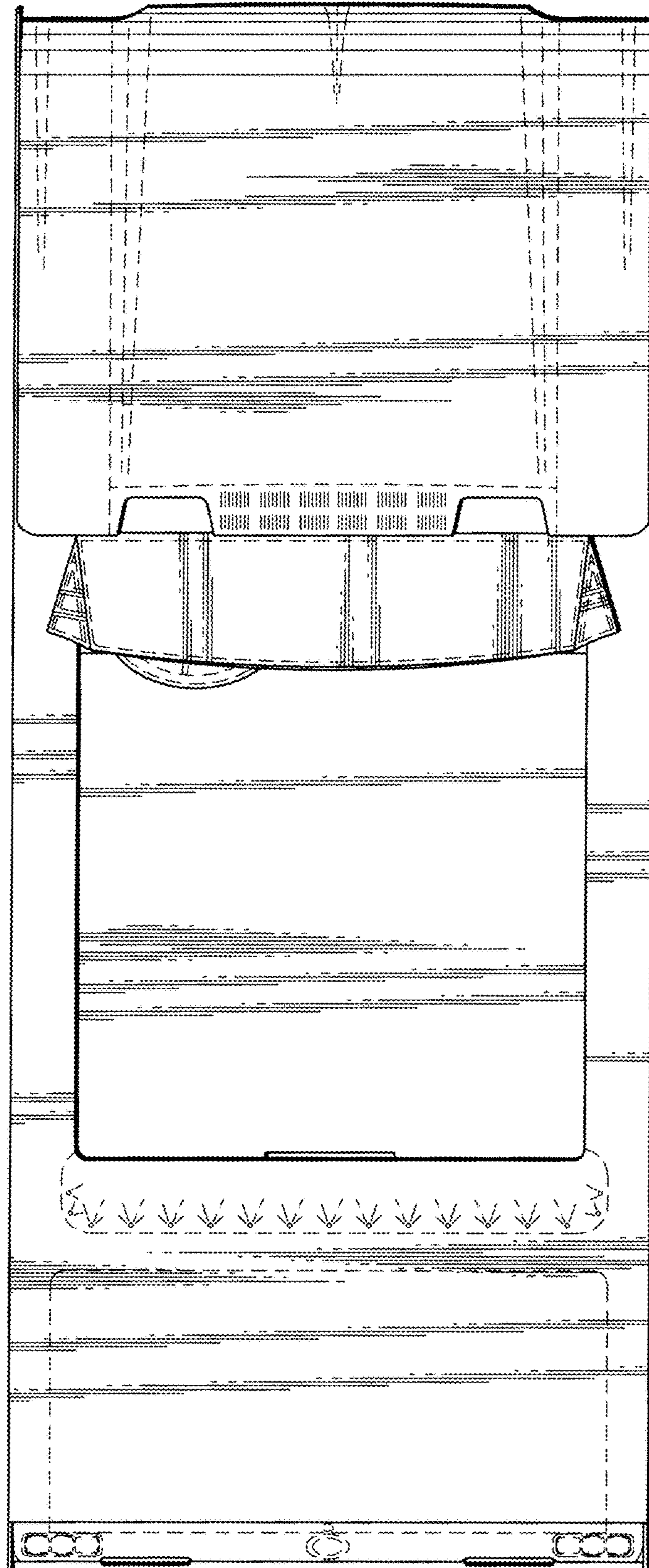


Fig. 3

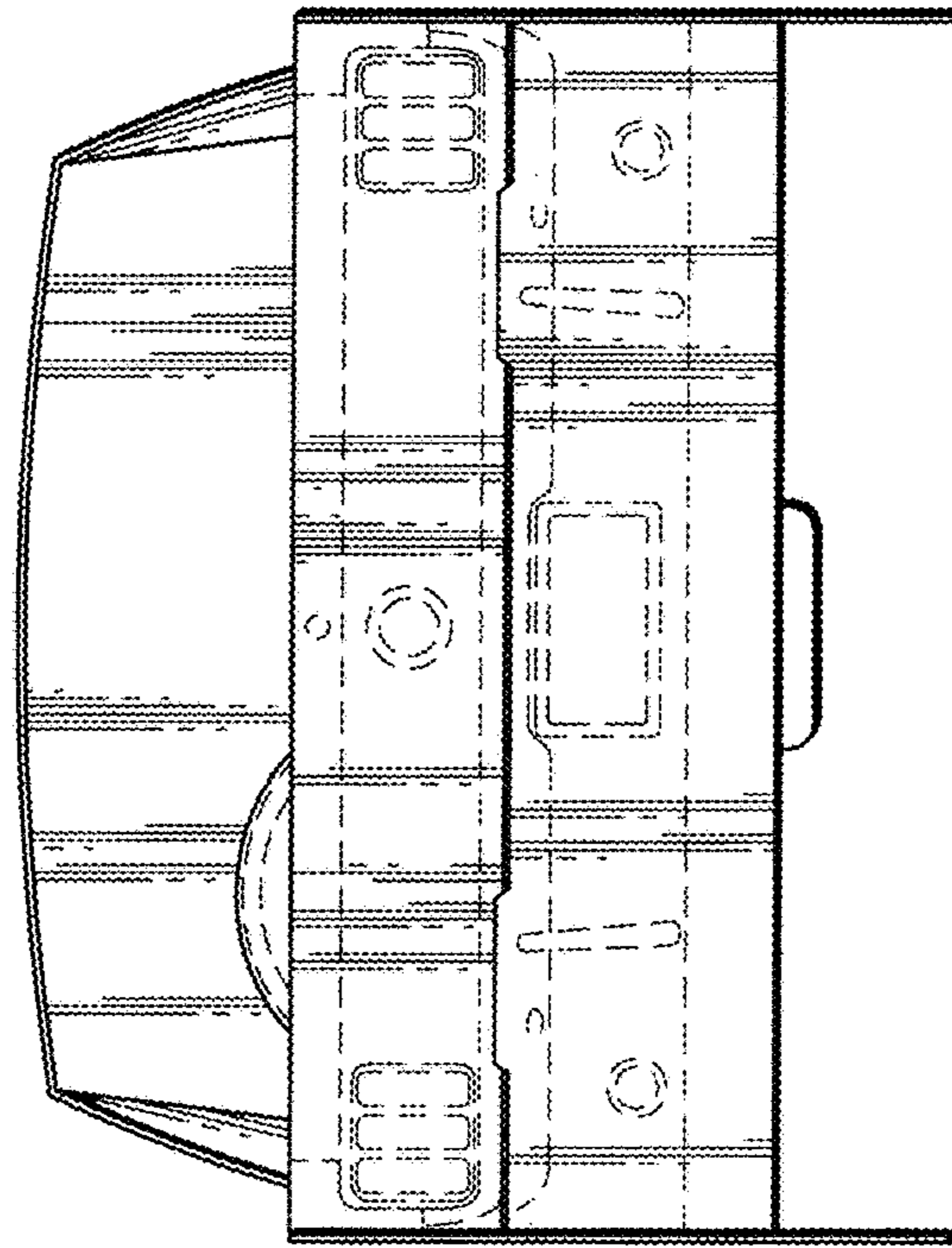


Fig. 5

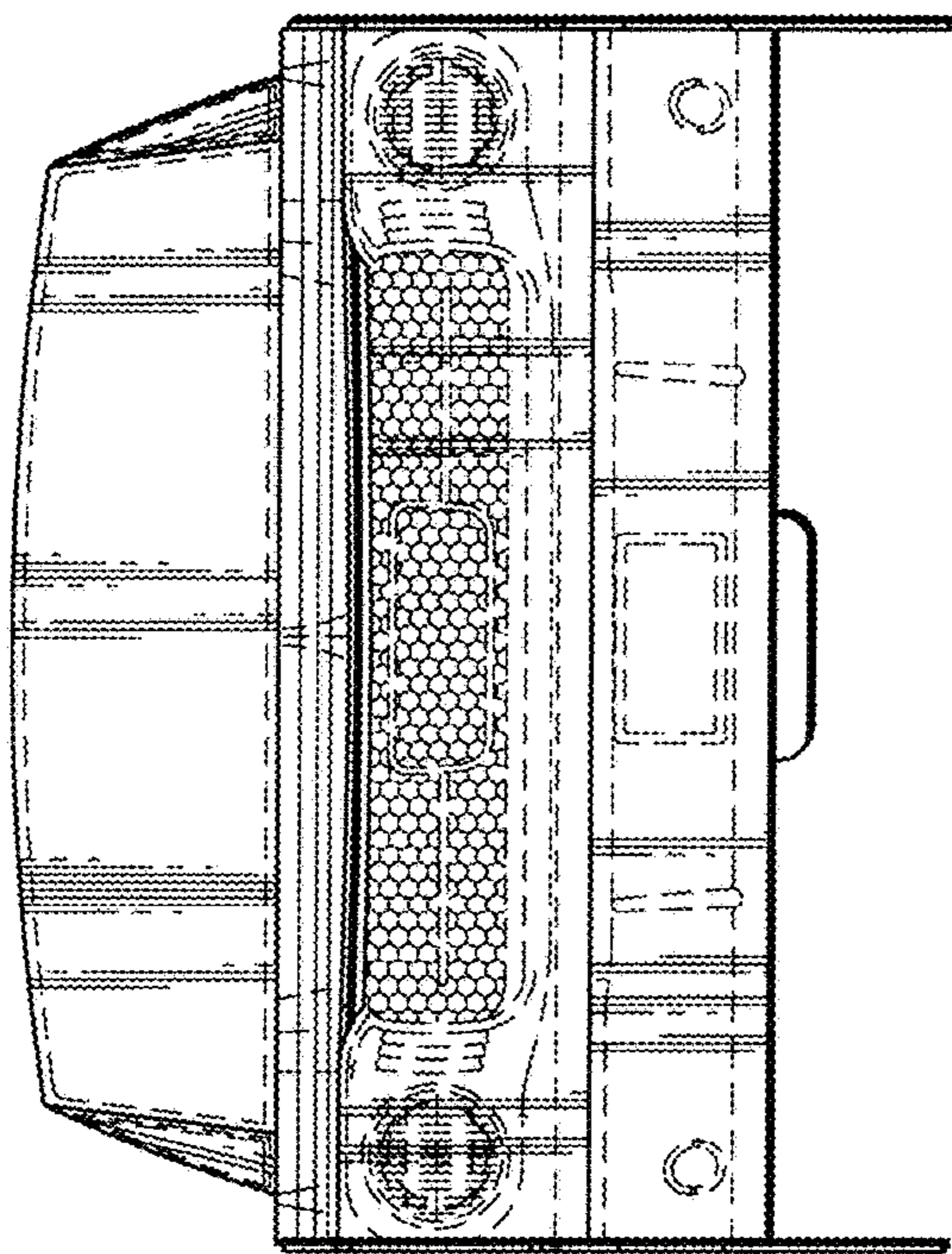


Fig. 4

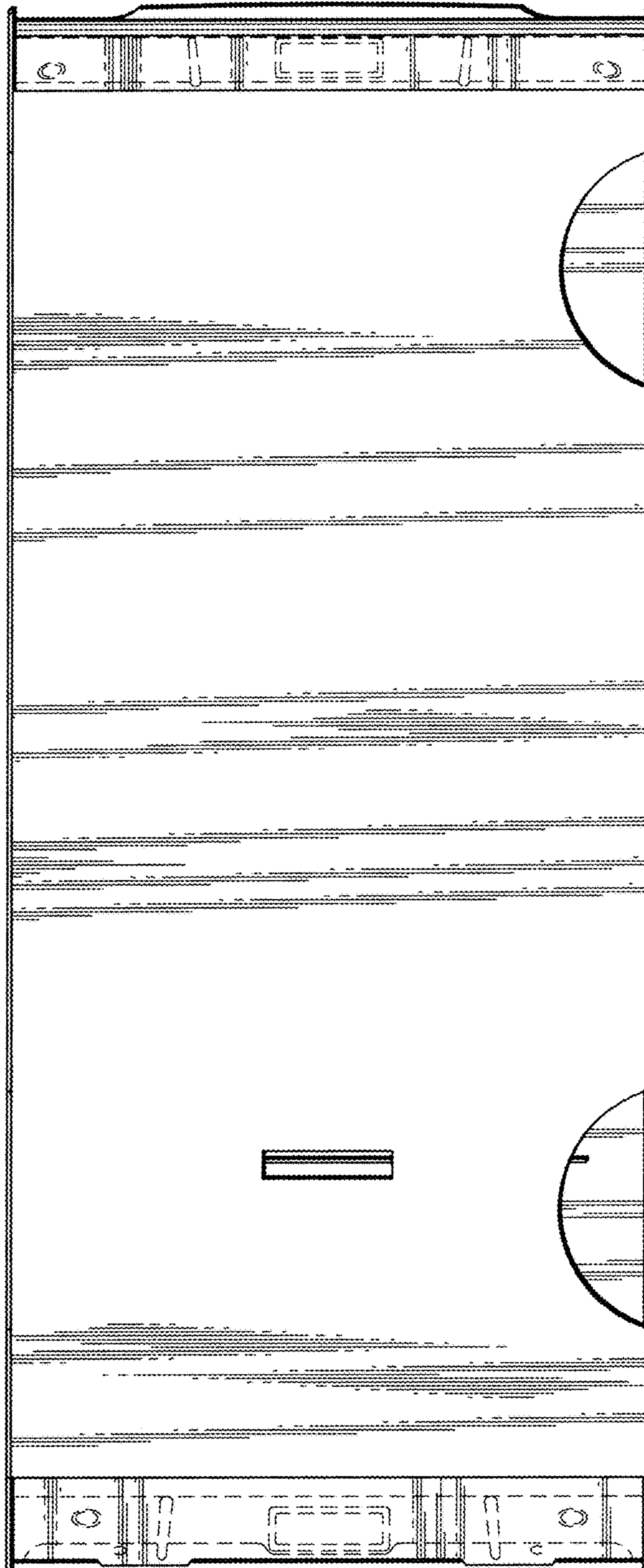


Fig. 5

