



US00D835512S

(12) **United States Design Patent** (10) **Patent No.:** **US D835,512 S**  
**Sterling et al.** (45) **Date of Patent:** **\*\* Dec. 11, 2018**

(54) **CONTAINER**

(71) Applicant: **The Sun Products Corporation**,  
Wilton, CT (US)

(72) Inventors: **Daniel P. Sterling**, Fairfield, CT (US);  
**Glenn William Kaye**, Stamford, CT  
(US); **Andrew Kimbro**, Winchester, VA  
(US)

(73) Assignee: **Henkel IP & Holding GmbH** (DE)

(\*\*) Term: **15 Years**

(21) Appl. No.: **29/562,945**

(22) Filed: **Apr. 29, 2016**

(51) **LOC (11) Cl.** ..... **09-01**

(52) **U.S. Cl.**  
USPC ..... **D9/531**; D9/523; D9/575; D9/560

(58) **Field of Classification Search**  
USPC ..... D9/516, 520, 523, 528, 530, 531, 533,  
D9/572, 575, 715, 745  
CPC . B65D 85/00; B65D 1/12; B65D 1/18; B65D  
1/20; B65D 21/0237; F16N 3/04  
See application file for complete search history.

(56) **References Cited**

**U.S. PATENT DOCUMENTS**

D207,128 S *	3/1967	Kelly	.....	215/398
D267,076 S	11/1982	Hurtig		
D281,579 S *	12/1985	Drummond, Jr.	.....	D9/453
D345,103 S *	3/1994	Welsch	.....	D9/528
5,544,768 A	8/1996	Gargione		
D382,488 S	8/1997	Ja		
D403,582 S	1/1999	Nask		
D406,237 S	3/1999	Bettiga		
D407,978 S	4/1999	Petro		
D419,369 S	1/2000	Nail et al.		
D423,366 S	4/2000	Gans		
6,059,153 A *	5/2000	Olson	.....	B65D 1/10 222/465.1

D426,161 S	6/2000	Hestehave et al.		
D426,469 S	6/2000	Mankowski et al.		
D435,455 S	12/2000	Gans		
D437,228 S	2/2001	Collins		
D469,019 S	1/2003	Schlueter		
D470,056 S	2/2003	Schlueter		
D481,801 S	11/2003	Whitley		
D482,973 S *	12/2003	Nottingham	.....	D9/531
D492,596 S	7/2004	Miceli et al.		
D510,871 S	10/2005	Nielson		
D510,872 S	10/2005	Mount et al.		
D511,100 S *	11/2005	Nottingham	.....	D9/528
D515,865 S	2/2006	Kim		

(Continued)

**OTHER PUBLICATIONS**

U.S. Appl. No. 29/466,785, filed Sep. 11, 2013; Kaye et al.

*Primary Examiner* — Ian Simmons

*Assistant Examiner* — Keith Frank

(74) *Attorney, Agent, or Firm* — Bojuan Deng

(57) **CLAIM**

The ornamental design for a container, as shown and described.

**DESCRIPTION**

FIG. 1 is a top front perspective view of a container showing the claimed design;

FIG. 2 is a bottom rear perspective view thereof;

FIG. 3 is a left side view thereof;

FIG. 4 is a right side view thereof;

FIG. 5 is a front view thereof;

FIG. 6 is a rear view thereof;

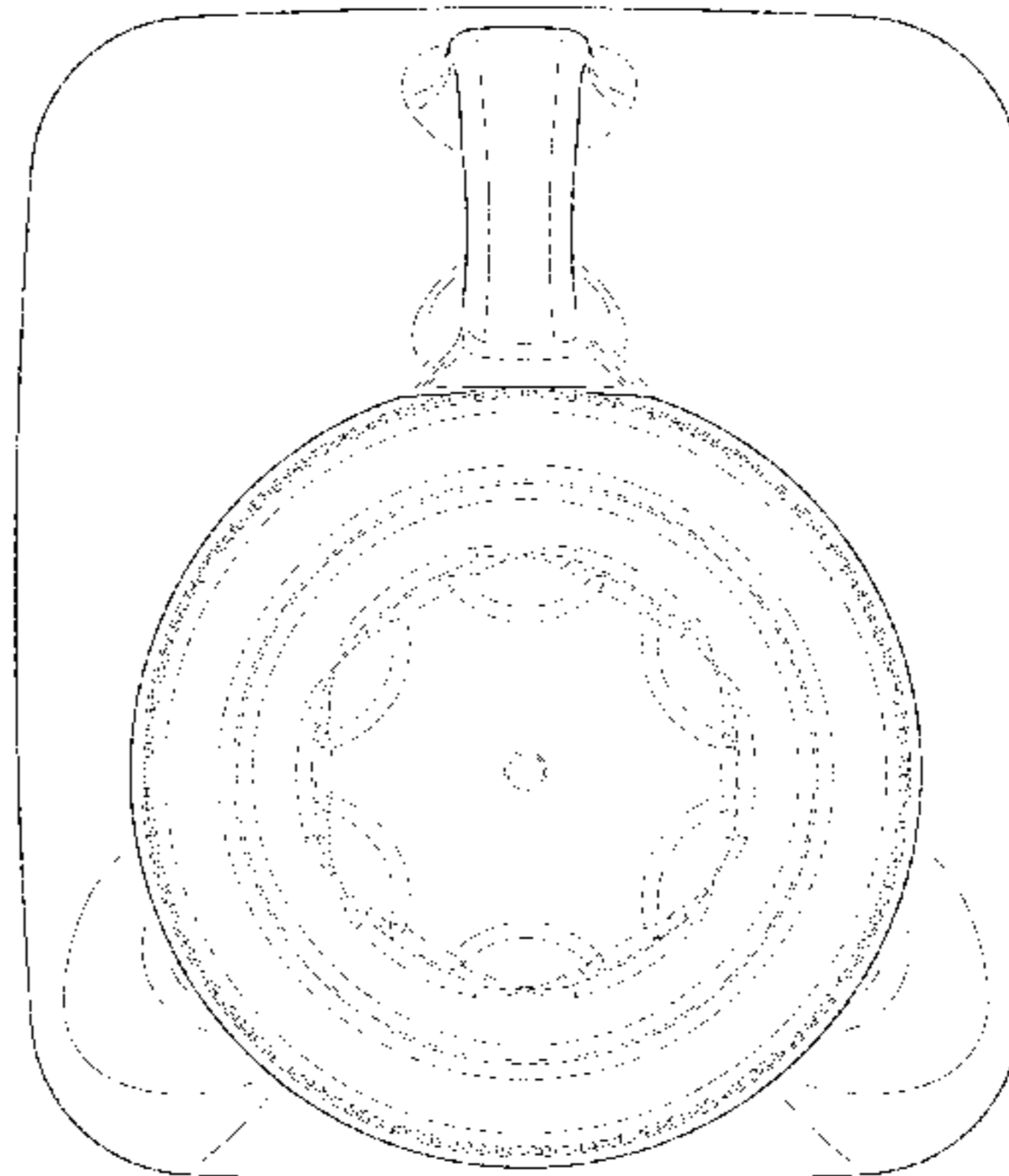
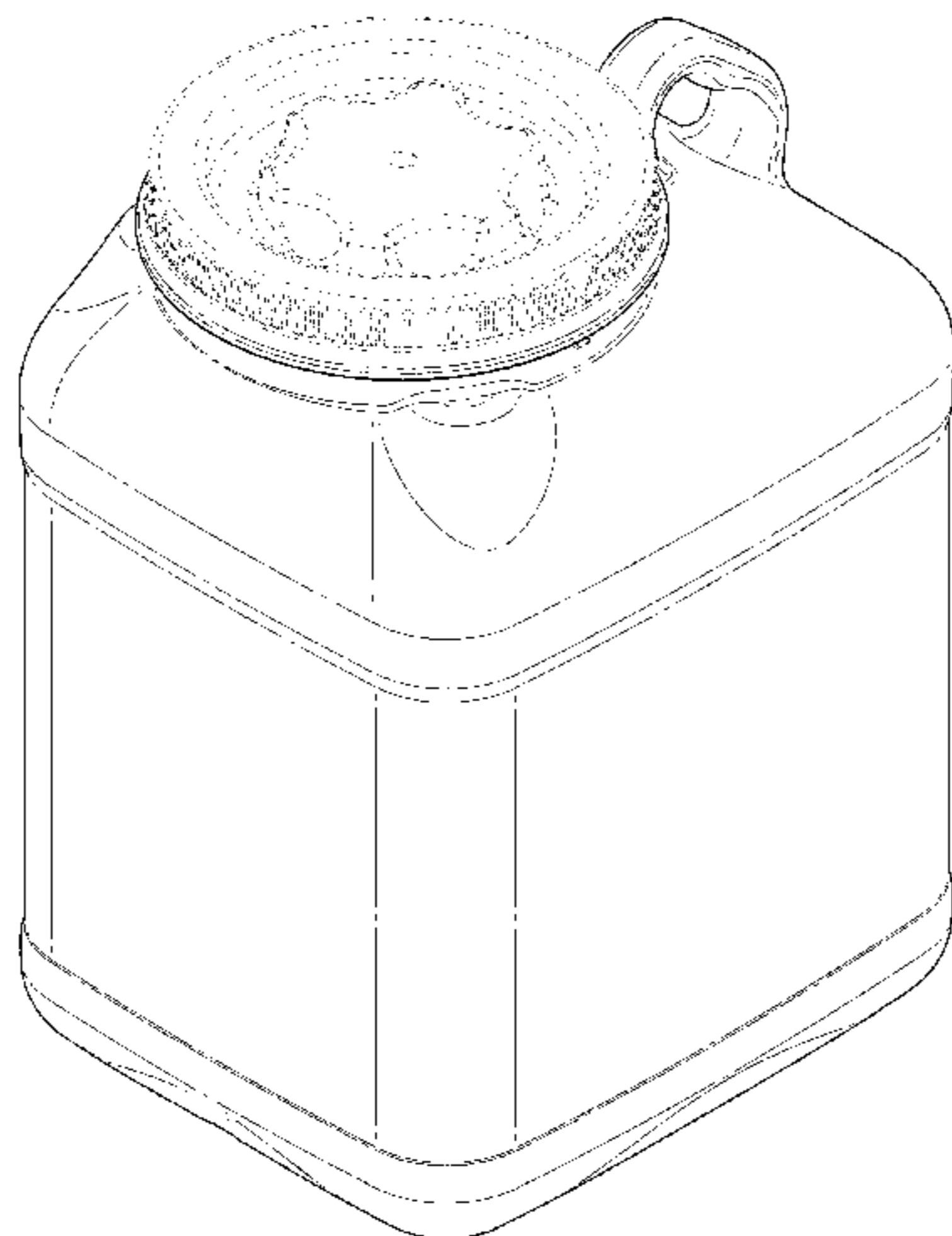
FIG. 7 is a top view thereof; and,

FIG. 8 is a bottom view thereof.

The broken lines in the figures show portions of the container that form no part of the claimed design.

The shade lines in the figures show contour and not surface ornamentation.

**1 Claim, 8 Drawing Sheets**



(56)

References Cited

U.S. PATENT DOCUMENTS

D518,719 S 4/2006 von Spreckelsen et al.  
 D523,755 S 6/2006 Considine et al.  
 D528,417 S 9/2006 Matsuda et al.  
 D531,913 S 11/2006 Heisner et al.  
 D537,492 S 2/2007 Paolucci et al.  
 D538,166 S 3/2007 Bertin et al.  
 D541,148 S 4/2007 Gross et al.  
 D542,128 S 5/2007 Gross et al.  
 D547,657 S 7/2007 Tacchella  
 D548,103 S 8/2007 Waldner  
 D553,819 S 10/2007 Brothers  
 D554,230 S 10/2007 Fletcher et al.  
 D558,583 S 1/2008 Langbein et al.  
 D563,228 S \* 3/2008 Nottingham ..... D9/531  
 D563,792 S 3/2008 Steiger et al.  
 D564,878 S 3/2008 Baughman et al.  
 D565,958 S 4/2008 Considine et al.  
 D567,087 S 4/2008 Baughman et al.  
 D587,580 S 3/2009 Kane et al.  
 D588,870 S 3/2009 Rasmussen  
 D596,455 S 7/2009 Laib  
 D600,120 S 9/2009 Kawamura  
 D604,613 S 11/2009 Garboni  
 D608,641 S 1/2010 Baughman et al.  
 D610,007 S 2/2010 Baughman et al.  
 D610,462 S 2/2010 Weber et al.  
 D612,257 S 3/2010 Wurster et al.  
 D617,191 S 6/2010 Stull et al.  
 D620,365 S 7/2010 Desjardins  
 D621,713 S 8/2010 Wilkum et al.  
 D623,954 S \* 9/2010 Hawry ..... D9/522  
 D630,518 S 1/2011 Biesecker et al.

D632,958 S 2/2011 Fuchs  
 D637,081 S 5/2011 Collins  
 D639,665 S 6/2011 Wilkins  
 D640,562 S 6/2011 Floyd et al.  
 D641,628 S 7/2011 Baughman  
 D643,295 S 8/2011 Sadler et al.  
 D646,754 S 10/2011 Reimann et al.  
 D652,304 S 1/2012 Heath et al.  
 D655,181 S 3/2012 Kraft et al.  
 D668,542 S 10/2012 Thurin et al.  
 D671,834 S 12/2012 Chasteen et al.  
 D673,047 S 12/2012 Stamper et al.  
 D676,329 S 2/2013 Yourist  
 D687,712 S 8/2013 Juna et al.  
 D699,118 S 2/2014 Yourist  
 D709,768 S 7/2014 Mccay et al.  
 D717,661 S 11/2014 Mcintire et al.  
 D722,804 S 2/2015 Kay et al.  
 D722,884 S 2/2015 Eble  
 D723,370 S 3/2015 Medlin  
 D723,928 S 3/2015 Holden et al.  
 D726,016 S 4/2015 Janney  
 D734,157 S 7/2015 Hawry  
 D752,983 S \* 4/2016 Juna ..... D9/520  
 D760,088 S \* 6/2016 Kaye ..... D9/516  
 D773,309 S \* 12/2016 Guercio ..... D9/531  
 2006/0289570 A1 \* 12/2006 Rohr ..... B44D 3/12  
 222/570  
 2007/0187352 A1 \* 8/2007 Kras ..... B65D 41/0442  
 215/276  
 2008/0032007 A1 \* 2/2008 Scarola ..... B32B 27/32  
 426/106  
 2012/0151880 A1 \* 6/2012 Rhea ..... B65D 1/0246  
 53/456

\* cited by examiner

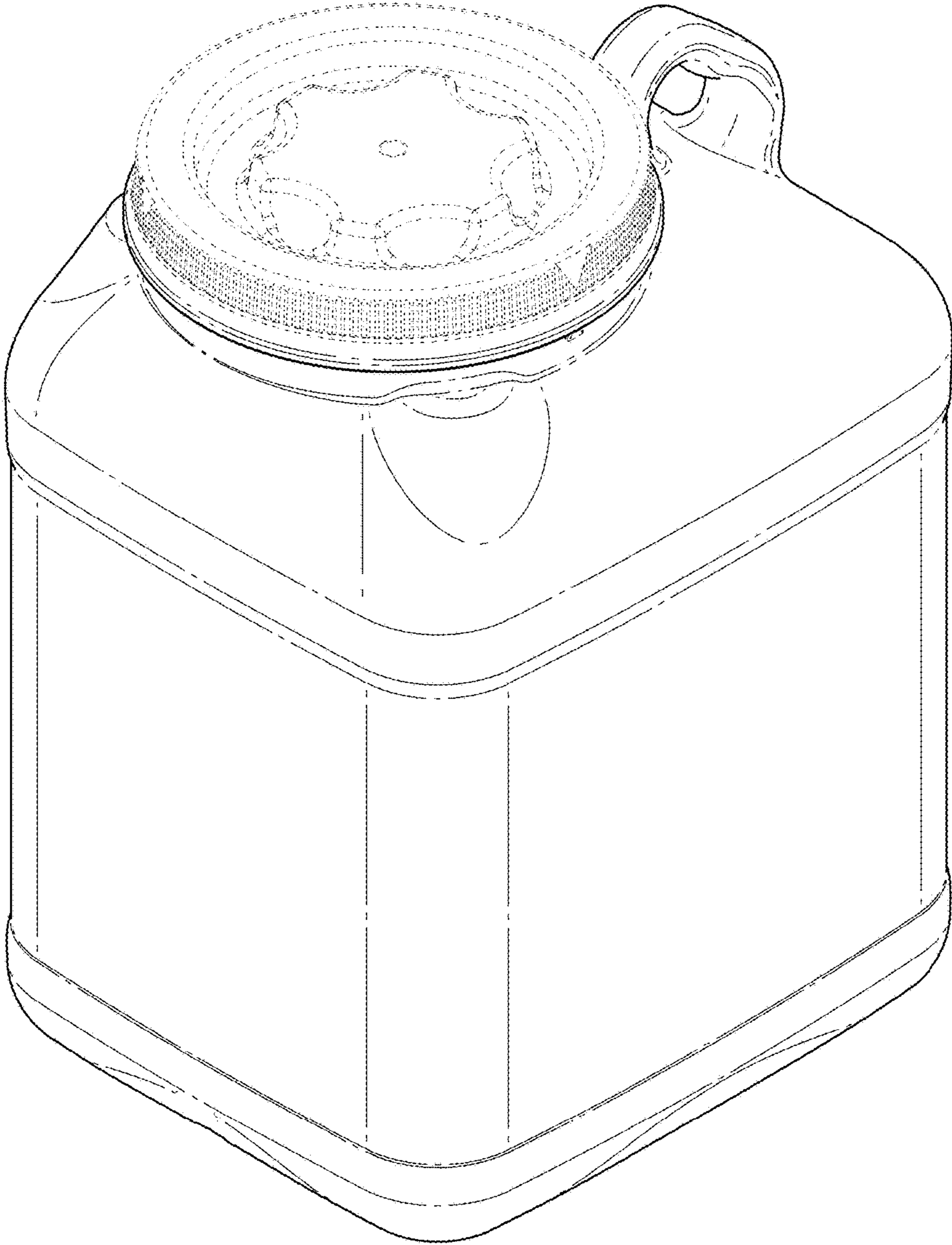


FIG.1

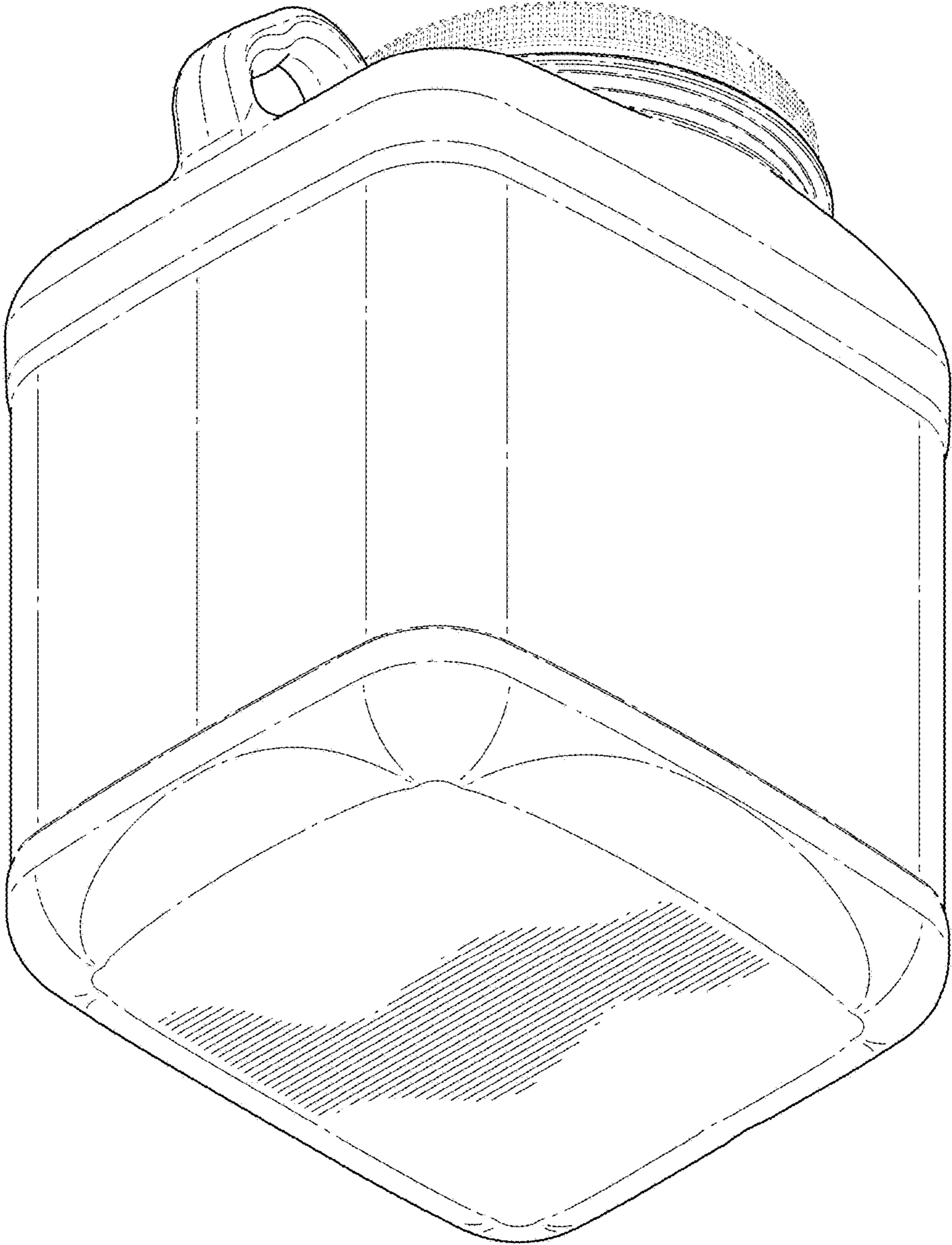


FIG.2

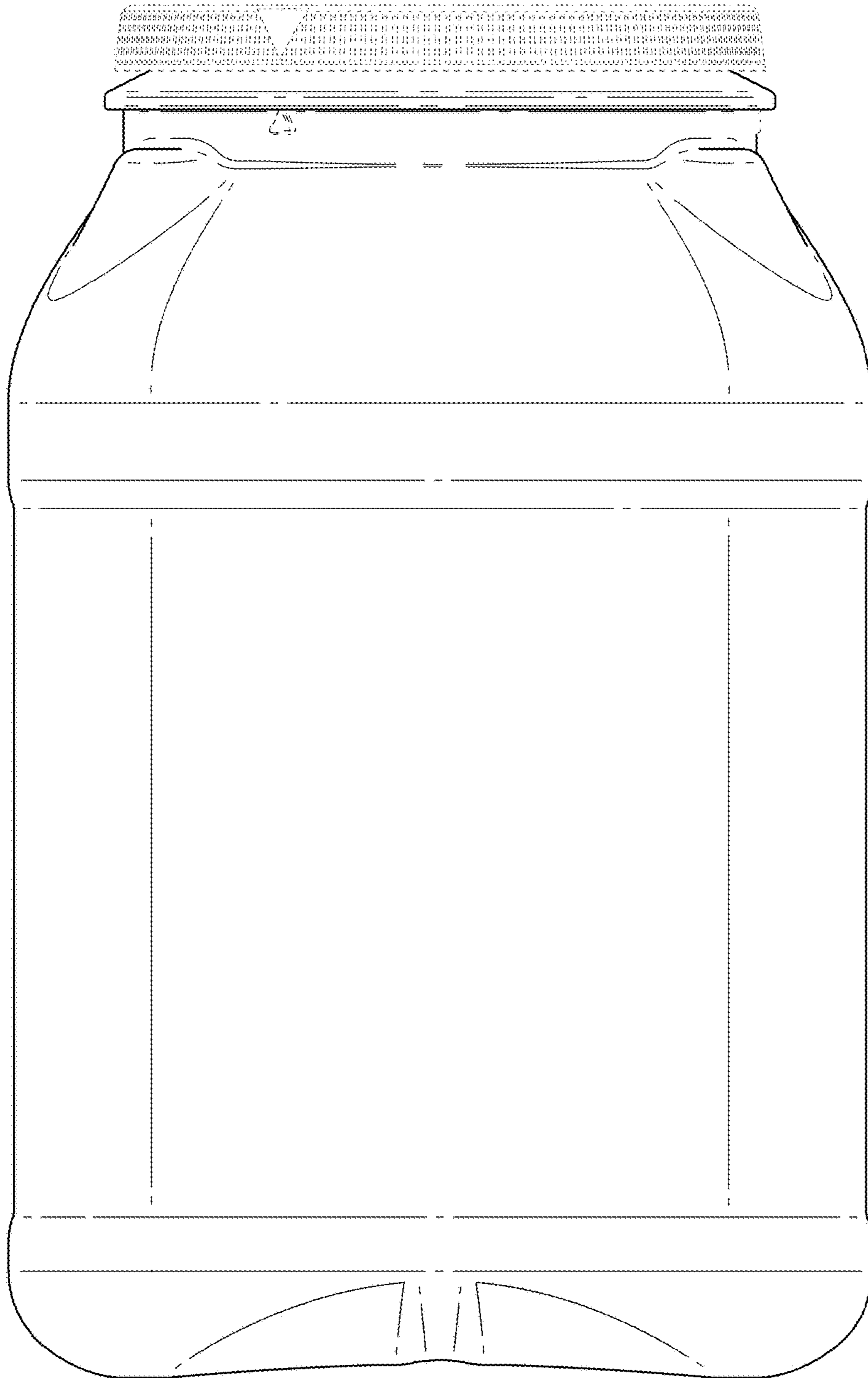


FIG.3

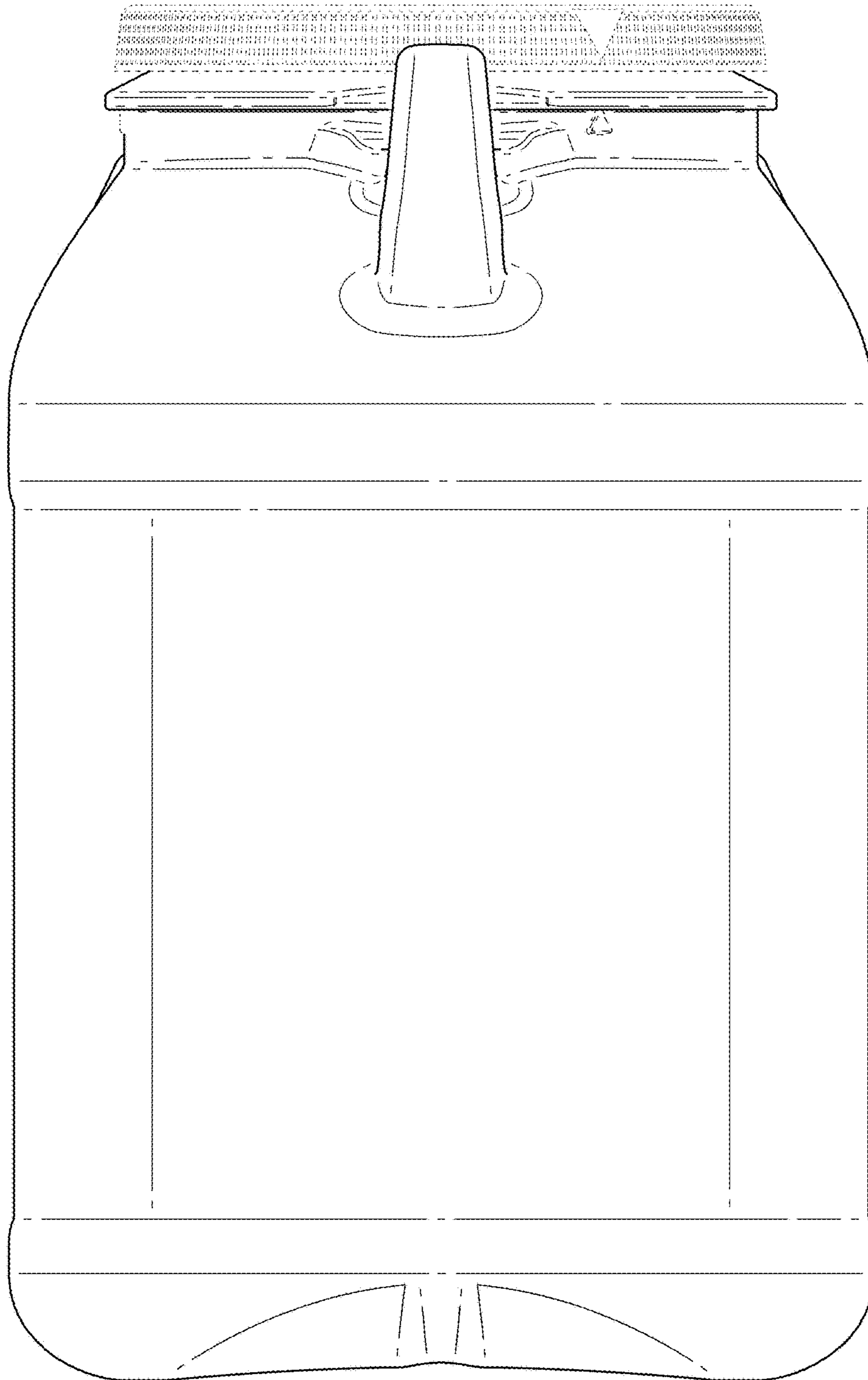


FIG. 4

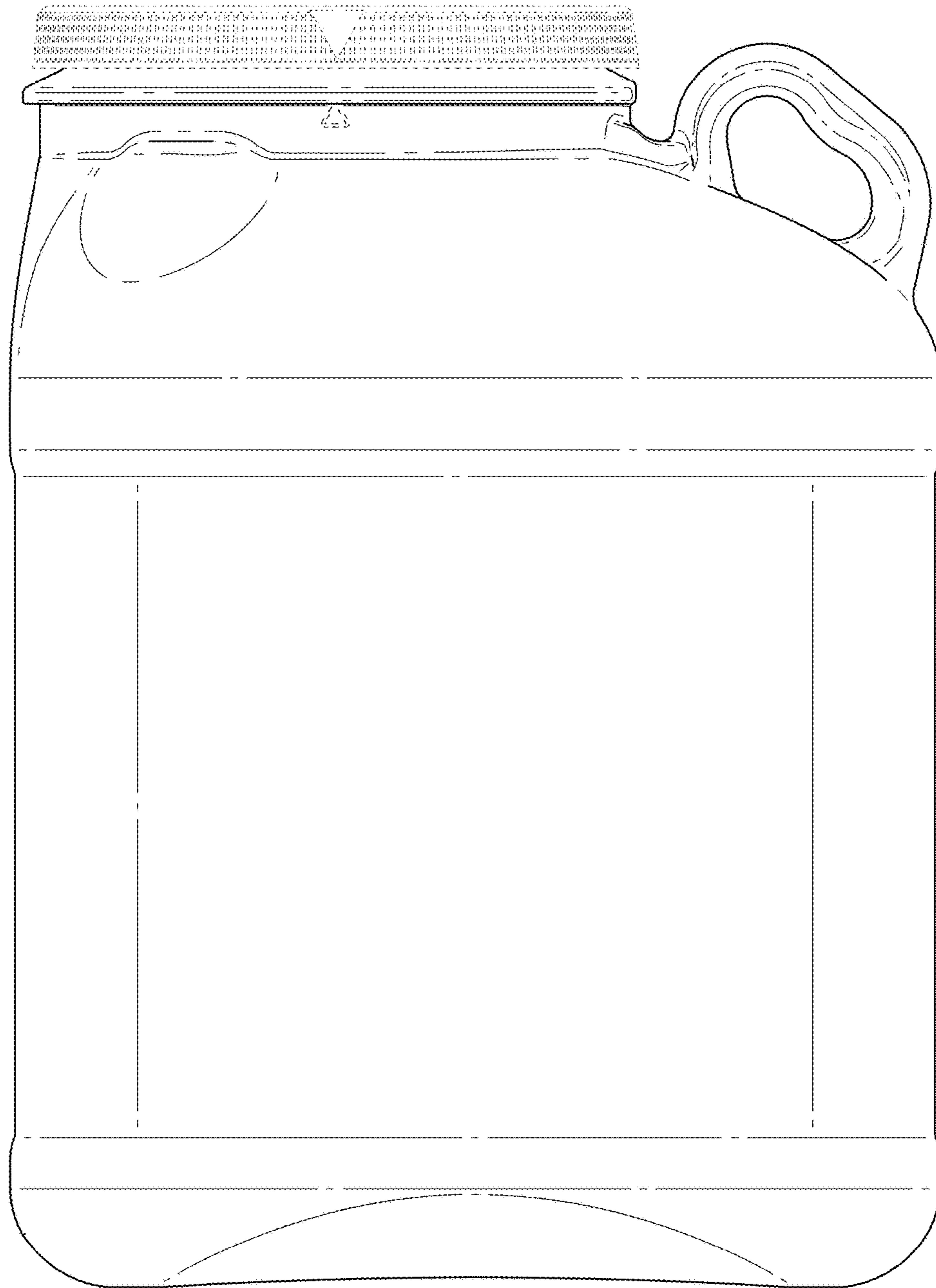


FIG.5

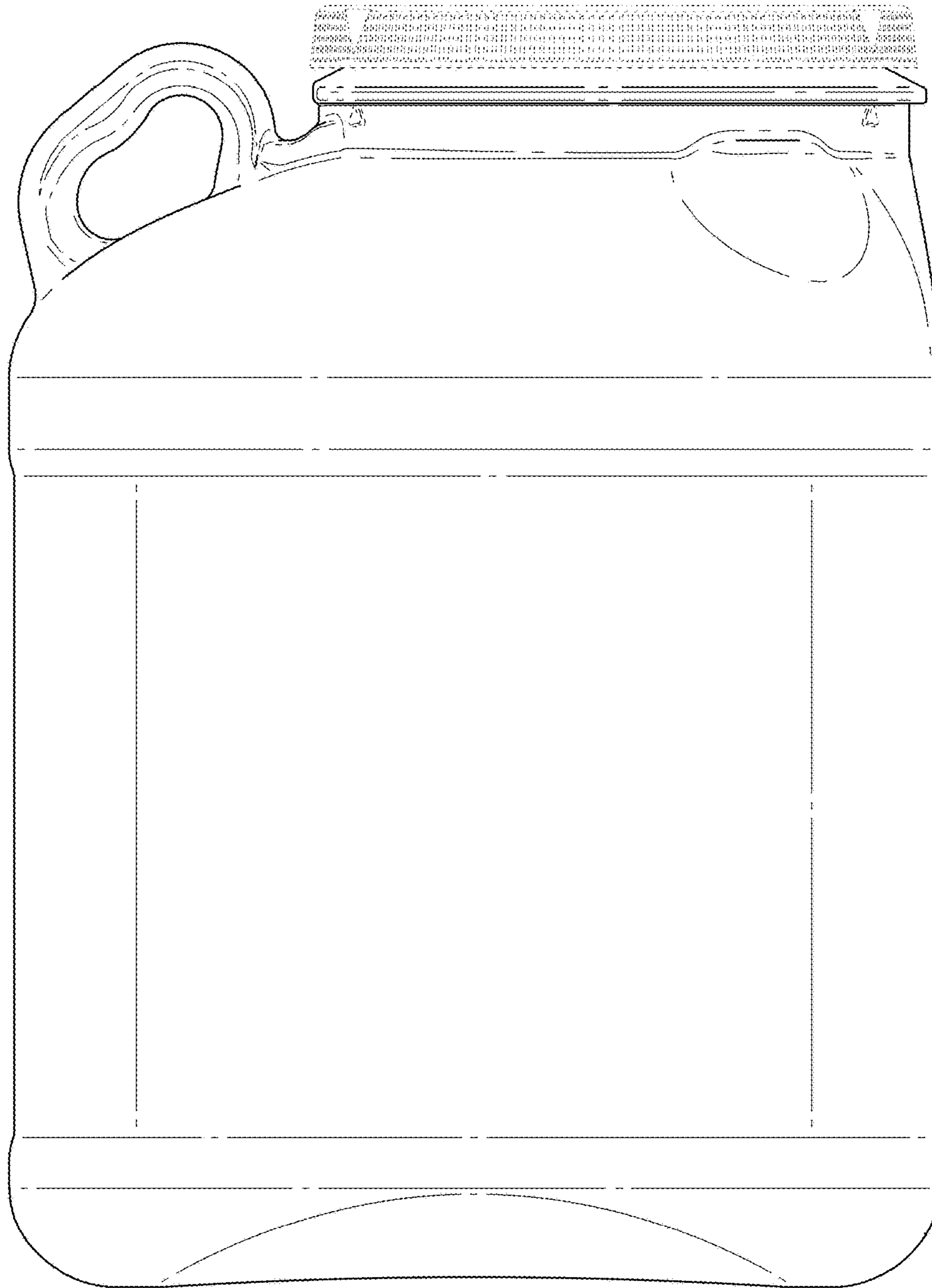


FIG.6



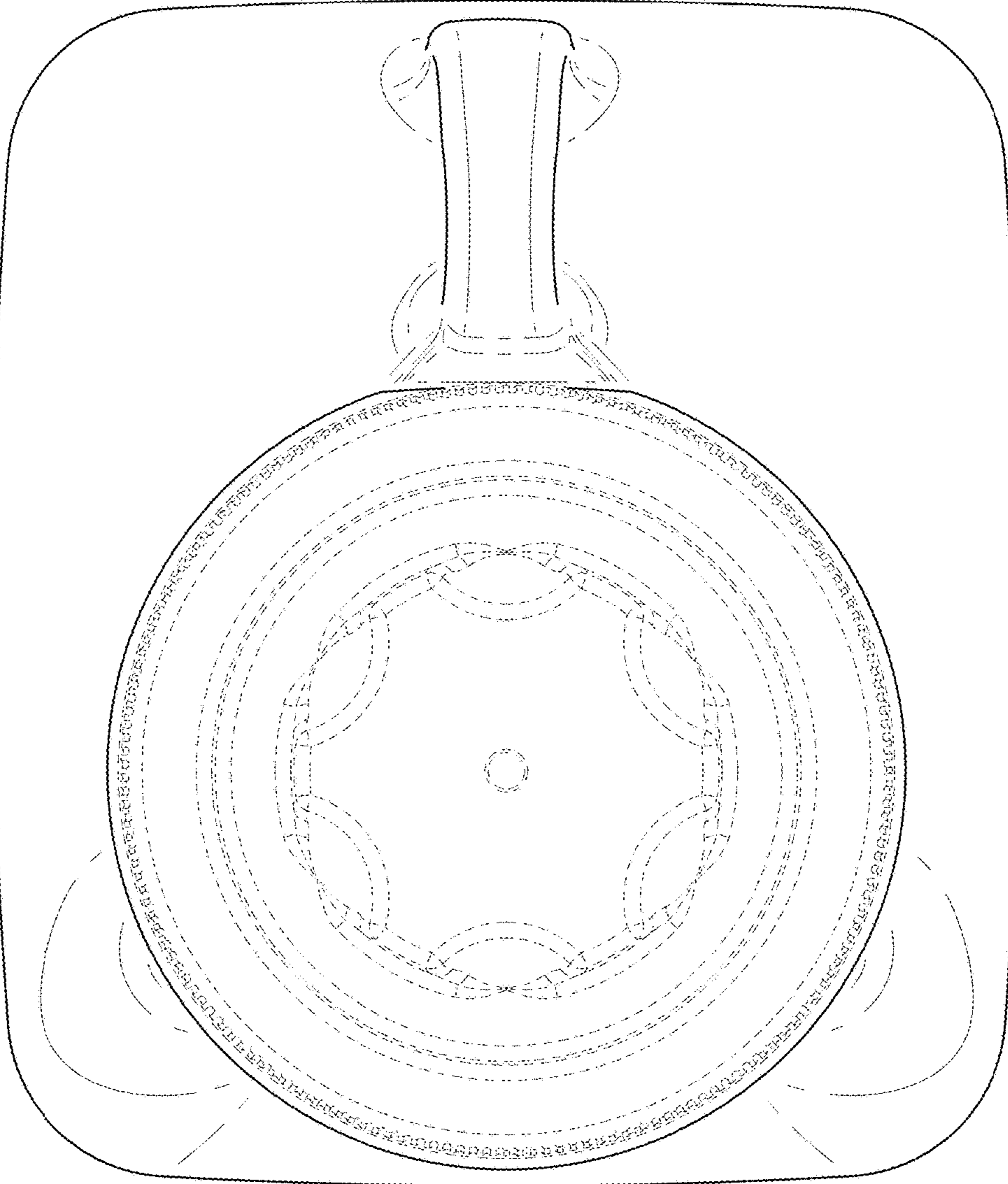


FIG.7

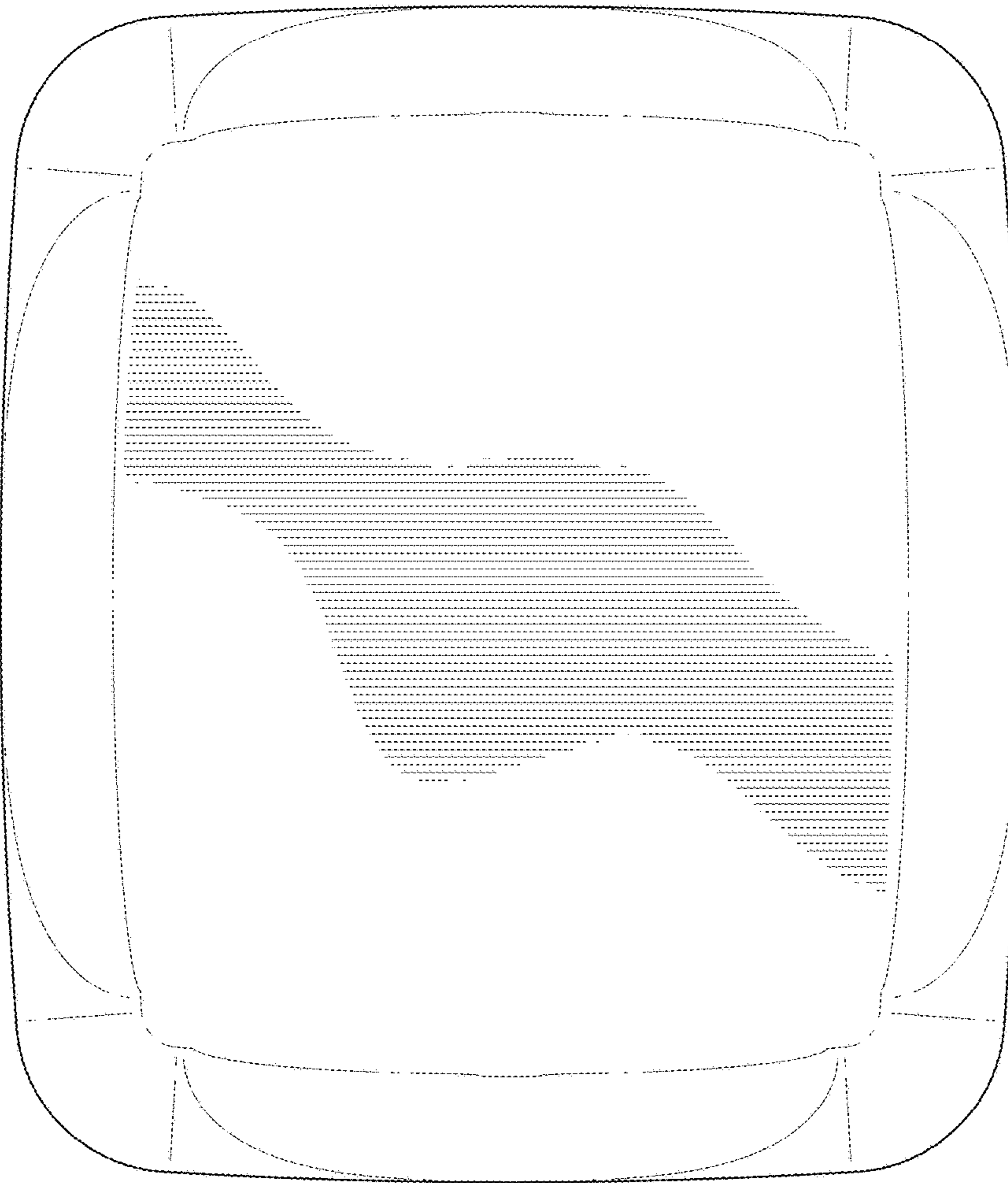


FIG. 8