



US00D835509S

(12) **United States Design Patent**
Cowan

(10) **Patent No.:** **US D835,509 S**

(45) **Date of Patent:** **** Dec. 11, 2018**

(54) **SINGLE DOSE MEDICINE PACKAGING**

(71) Applicant: **Kurt Cowan**, Venice, FL (US)

(72) Inventor: **Kurt Cowan**, Venice, FL (US)

(**) Term: **15 Years**

(21) Appl. No.: **29/627,493**

(22) Filed: **Nov. 28, 2017**

(51) **LOC (11) Cl.** **09-03**

(52) **U.S. Cl.**
USPC **D9/503**; D9/416

(58) **Field of Classification Search**
USPC D9/414, 416, 418, 424–425, 428–429,
D9/434–435, 438, 454, 500, 503–504,
D9/516, 518, 549, 558, 715–716;
D7/629, 630; D24/121; D23/366, 369
CPC . B65D 1/00; B65D 1/26; B65D 1/265; B65D
17/00; B65D 17/02; B65D 17/50; B65D
17/501; B65D 23/00; B65D 25/00; B65D
81/00; B65D 85/804; B65D 85/8043;
B65D 85/8046; B65D 2501/00; B65D
2501/0009; B65D 2543/00833
See application file for complete search history.

(56) **References Cited**

U.S. PATENT DOCUMENTS

3,021,001 A 2/1962 Donofrio
3,391,847 A * 7/1968 Christine B65D 51/185
220/257.2
D223,898 S * 6/1972 Edwards D9/500

3,844,408 A 10/1974 Relyea
D276,218 S * 11/1984 Baldwin D9/443
D287,404 S * 12/1986 Johansson D24/121
5,002,189 A * 3/1991 Sahi B65D 77/2024
132/333
D389,741 S * 1/1998 Barrie, II D9/429
5,904,263 A 5/1999 St. Pierre
6,086,931 A 7/2000 Whiteford
D447,256 S * 8/2001 Ratia D26/9
D483,672 S * 12/2003 Kudert D9/502
D483,673 S * 12/2003 Kudert D9/502
7,055,294 B1 6/2006 Lewis
D574,703 S * 8/2008 Cassol D9/416
D616,749 S * 6/2010 Tivelli D9/503
D624,419 S * 9/2010 Tivelli D9/503
8,607,983 B2 12/2013 Niven
D757,537 S * 5/2016 Trombetta D9/428
D776,525 S * 1/2017 Trombetta D9/429

* cited by examiner

Primary Examiner — Dana Meyrow

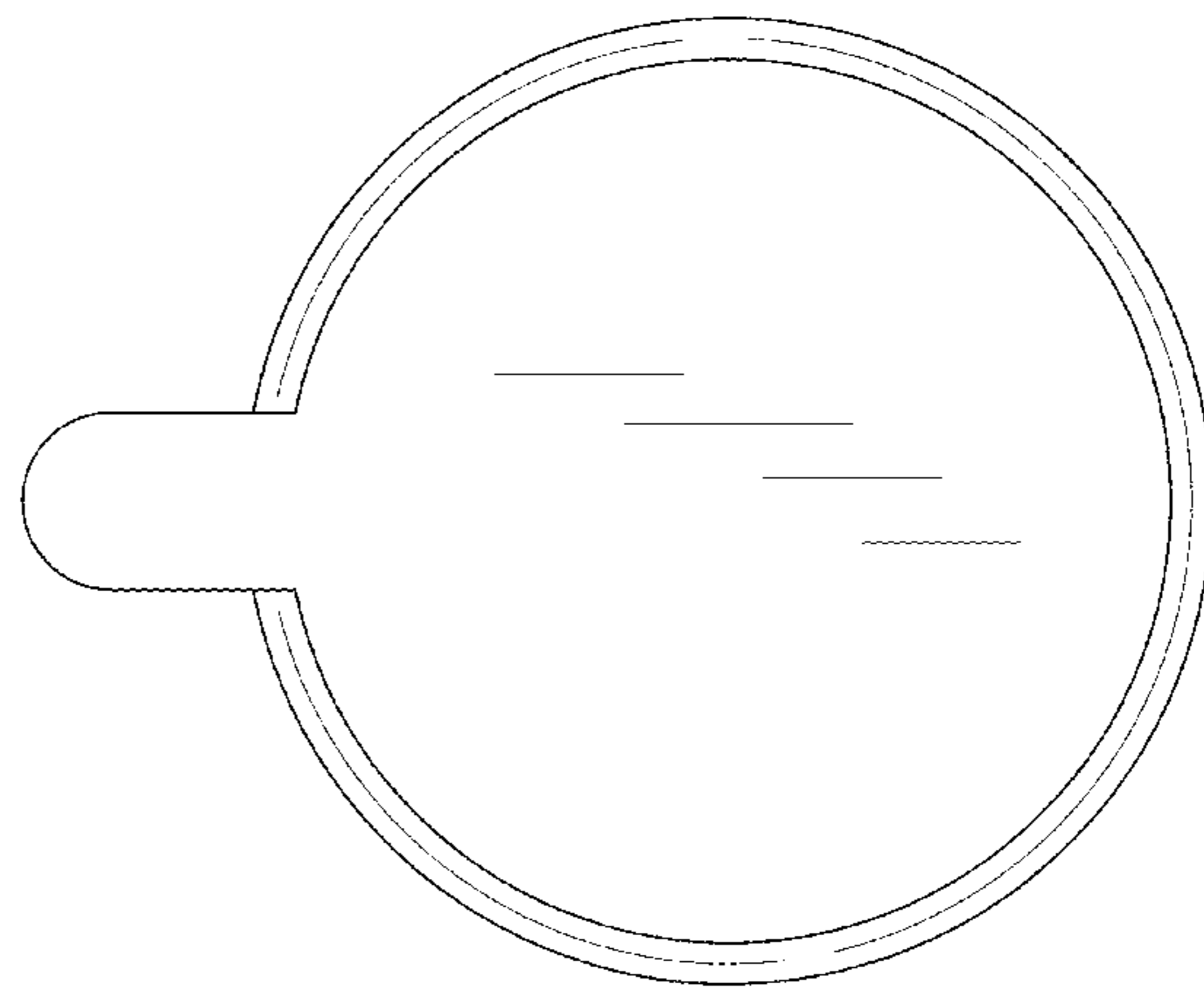
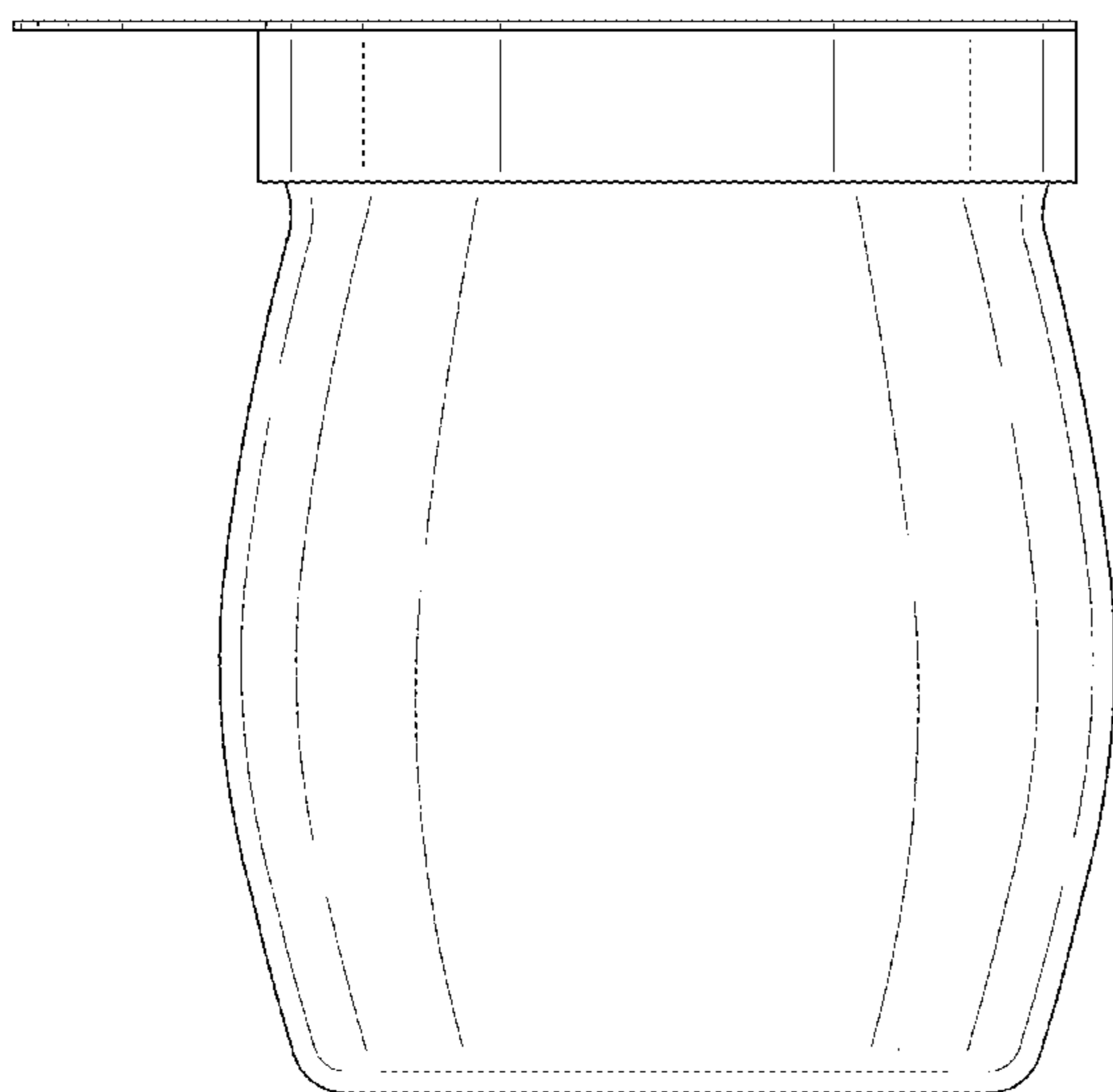
(57) **CLAIM**

I claim the ornamental design for a single dose medicine packaging, as shown and described.

DESCRIPTION

FIG. 1 is a side view of the single dose medicine packaging.
FIG. 2 is a front view of the claimed design.
FIG. 3 is a back view of the claimed design.
FIG. 4 is a top view of the claimed design.
FIG. 5 is a bottom view of the claimed design; and,
FIG. 6 is a perspective view of the claimed design.

1 Claim, 6 Drawing Sheets



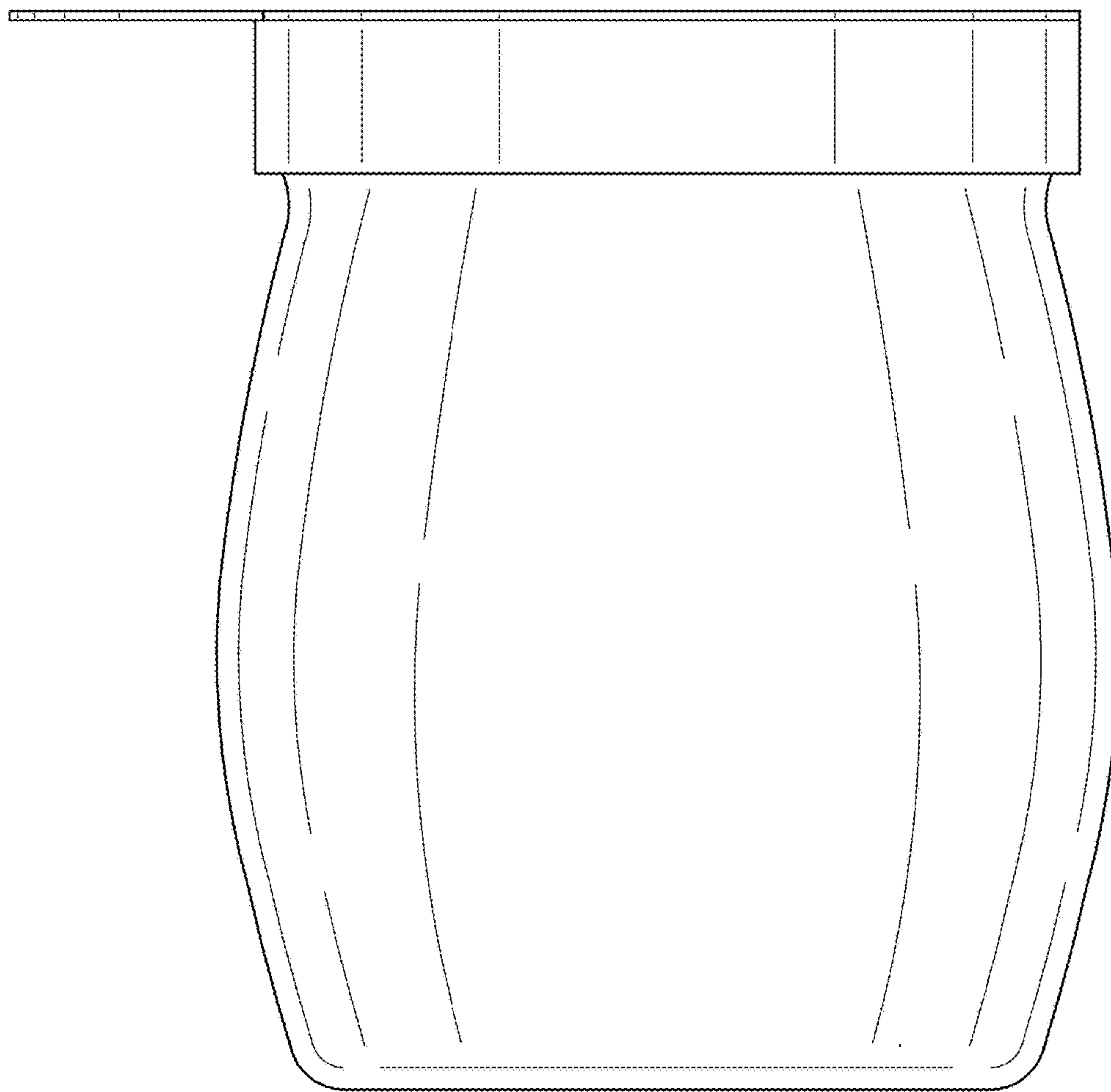


FIG. 1

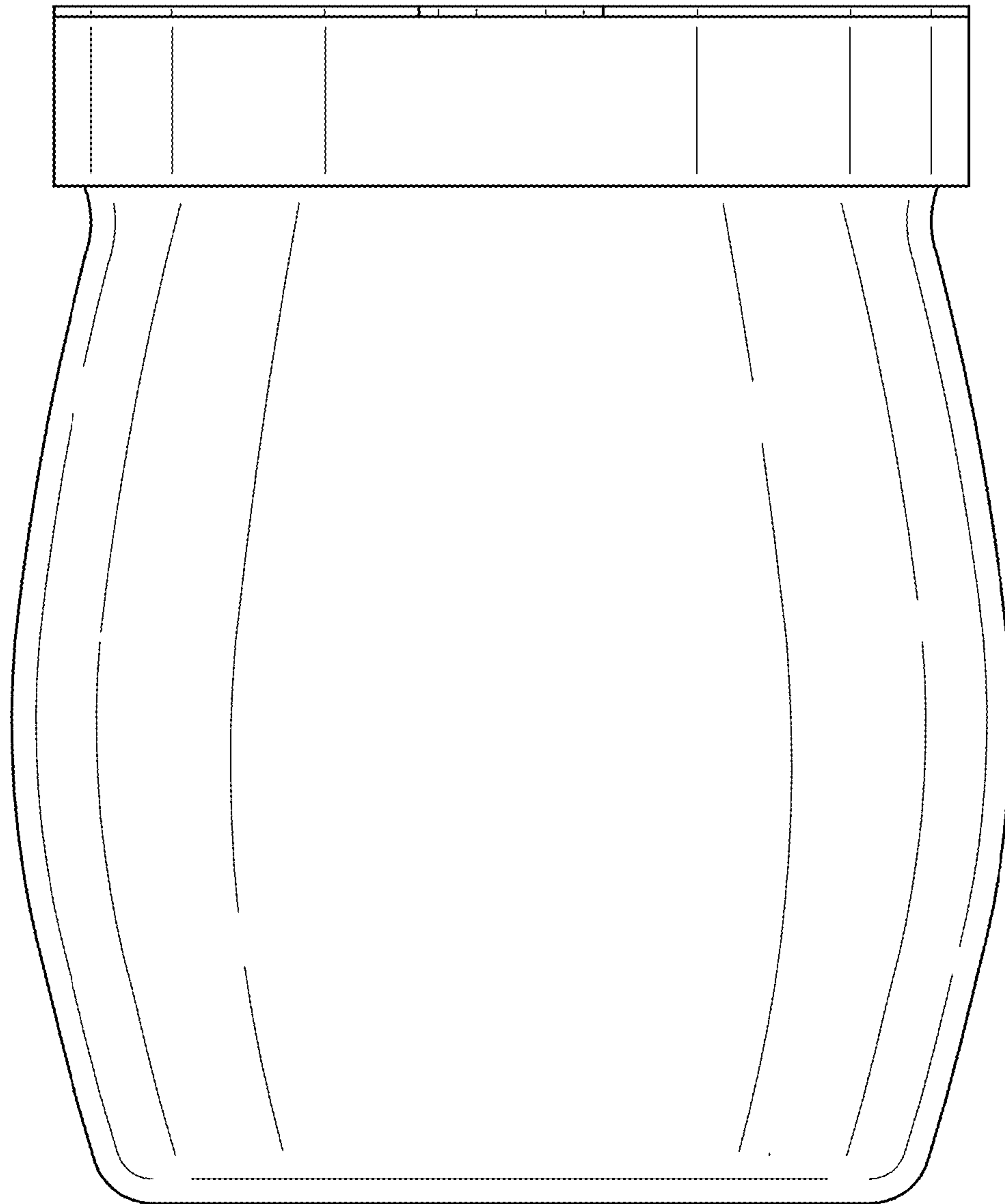


FIG. 2

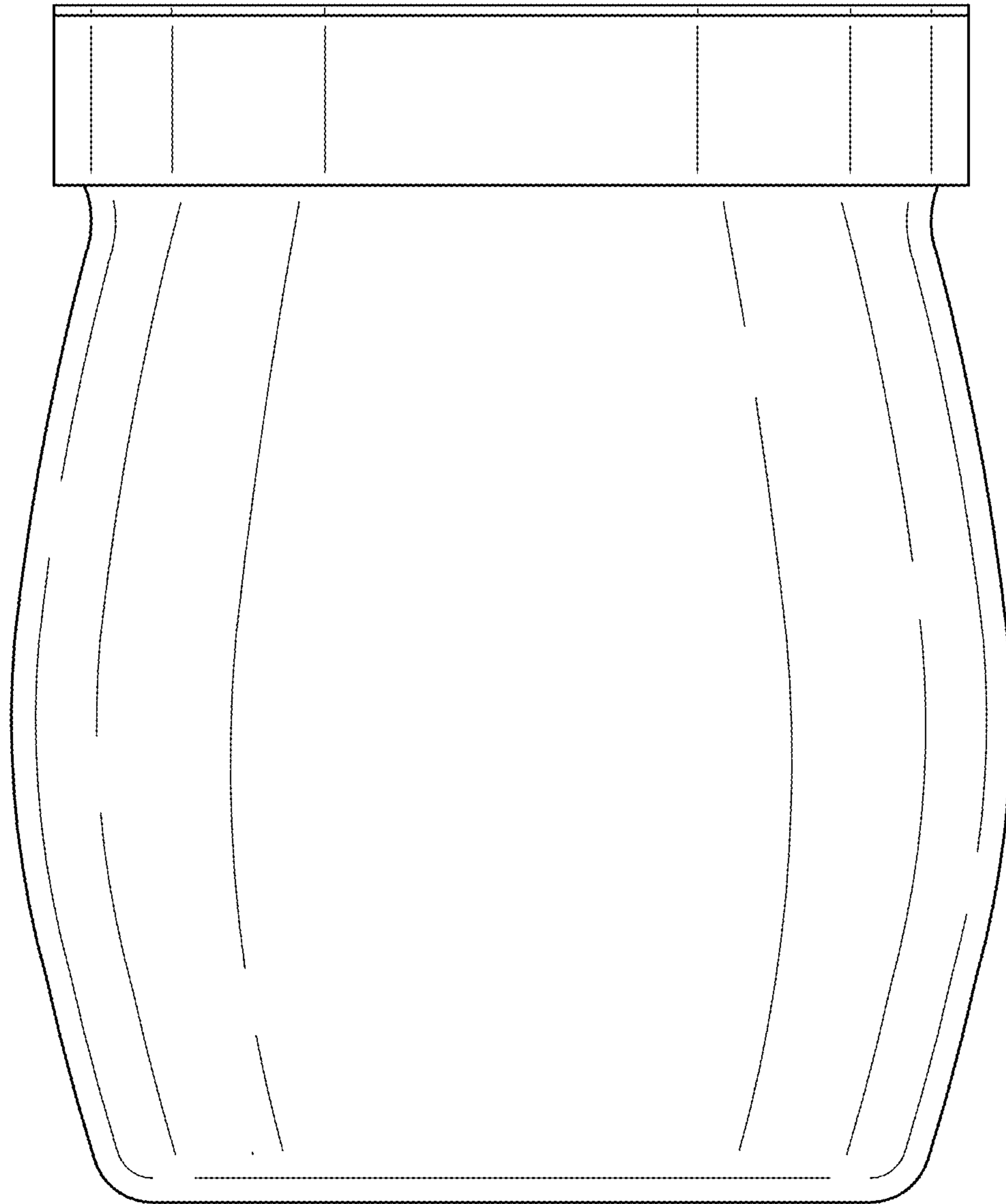


FIG. 3

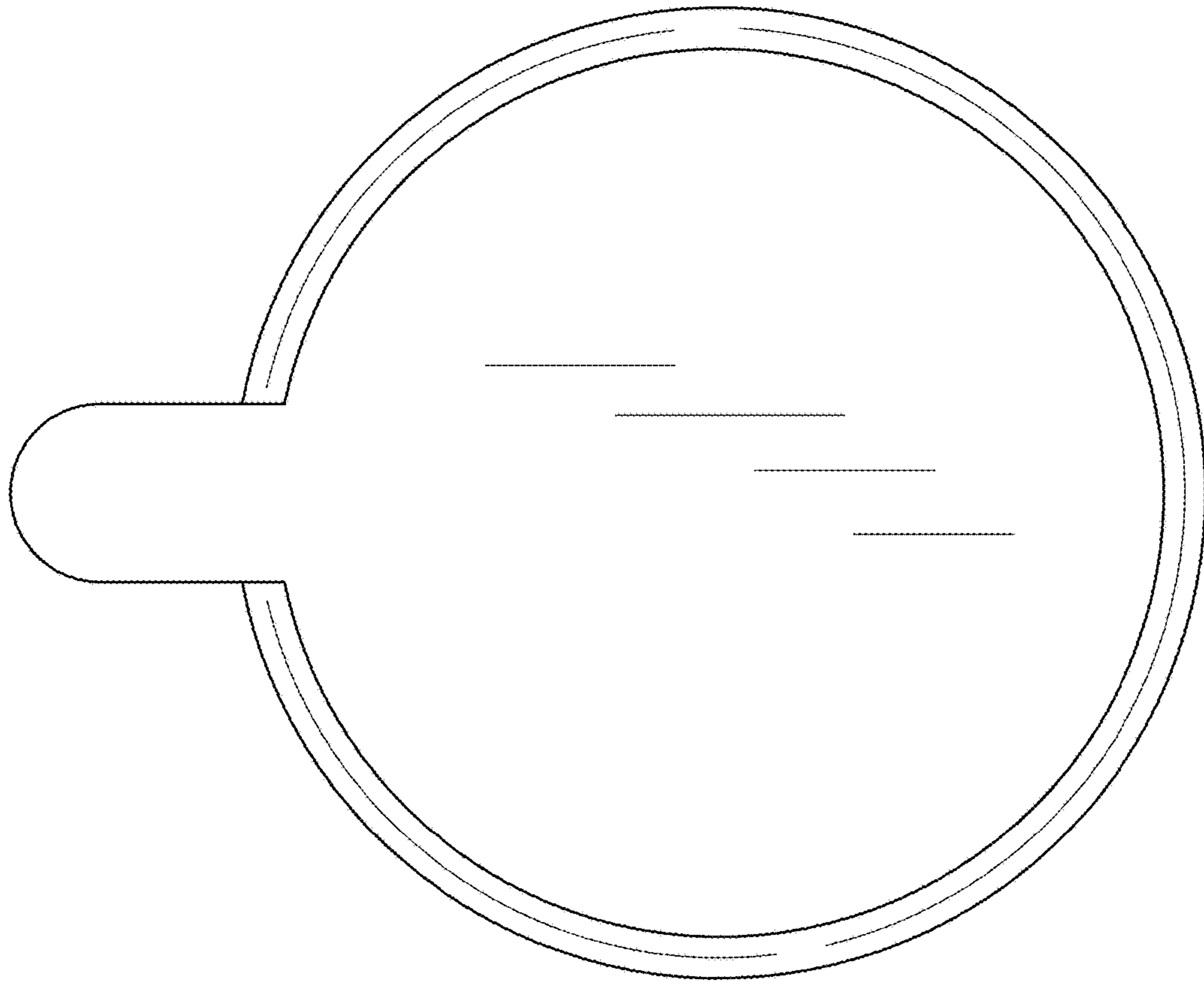


FIG. 4

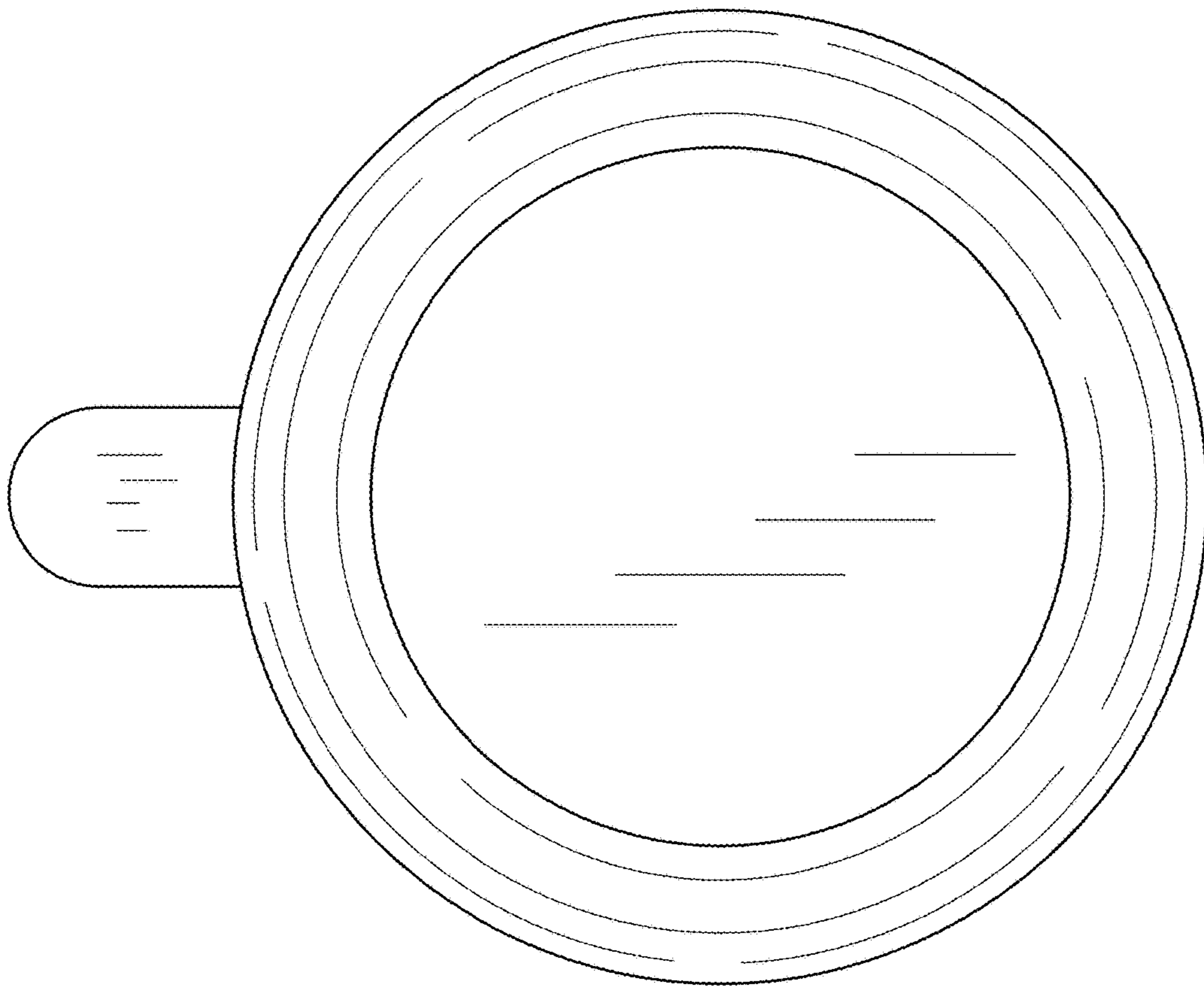


FIG. 5

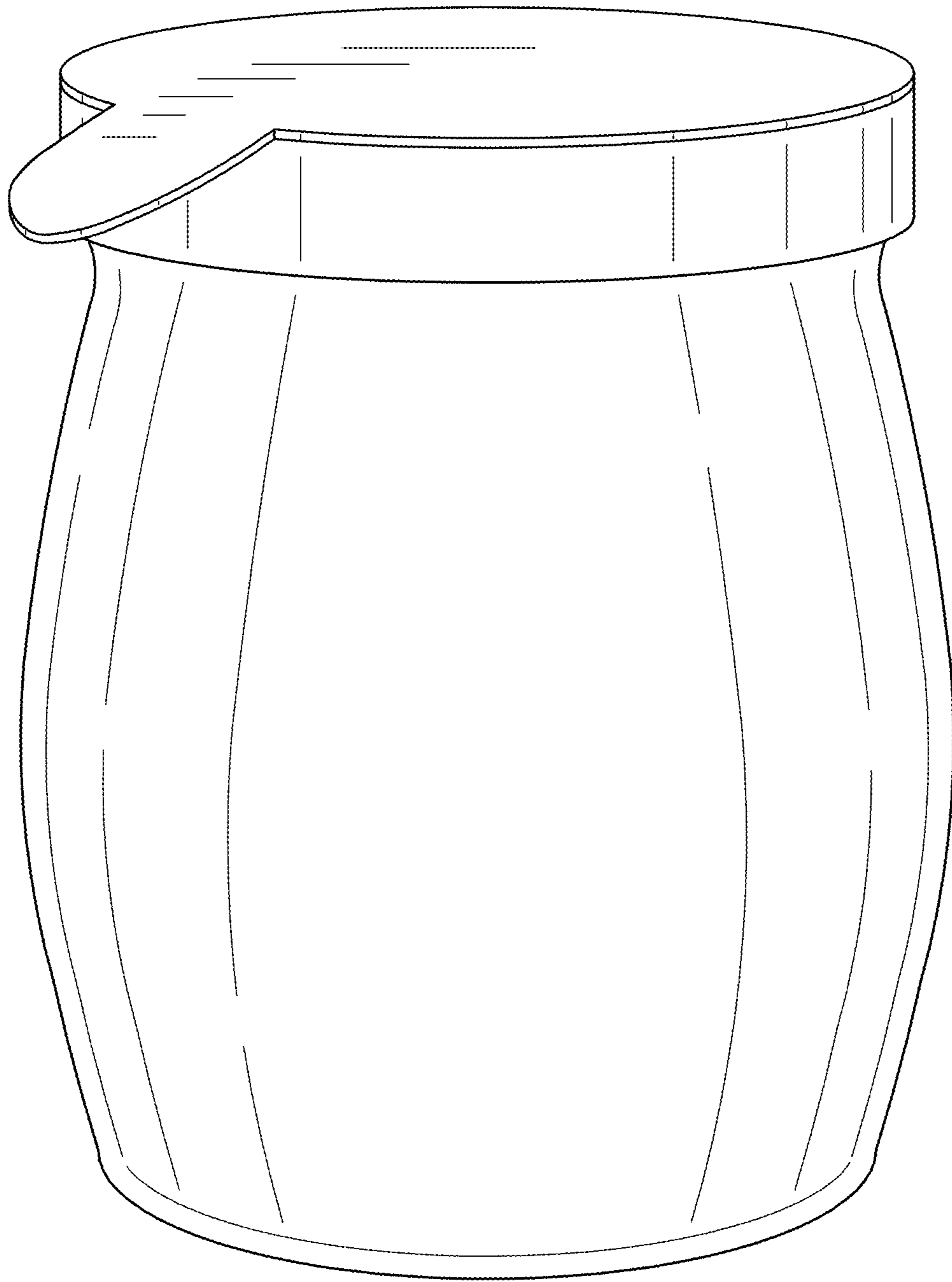


FIG. 6