



US00D835506S

(12) **United States Design Patent** (10) **Patent No.:** **US D835,506 S**
Evans et al. (45) **Date of Patent:** **** Dec. 11, 2018**

(54) **BOTTLE STOPPER**

(56) **References Cited**

(71) Applicants: **Linden Evans**, San Francisco, CA
(US); **John Traub**, Brooklyn, NY (US);
Ronald Ondrey, Bayonne, NJ (US)

(72) Inventors: **Linden Evans**, San Francisco, CA
(US); **John Traub**, Brooklyn, NY (US);
Ronald Ondrey, Bayonne, NJ (US)

(73) Assignee: **HELEN OF TROY LIMITED**, St.
Michael (BB)

(**) Term: **15 Years**

(21) Appl. No.: **29/605,185**

(22) Filed: **May 24, 2017**

(51) **LOC (11) Cl.** **09-07**

(52) **U.S. Cl.**
USPC **D9/439**

(58) **Field of Classification Search**
USPC D9/434, 435, 436, 443, 444-452,
D9/454-456, 499, 529, 682, 685, 686,
D9/439, 440; D7/387, 391, 392, 392.1,
D7/396.1, 396.2, 396.3, 396.4, 397, 398,
D7/401.1, 507, 509-511, 538, 900, 514,
D7/515; D3/202, 203.2; D28/91, 91.1;
D24/129, 130; D21/386; D8/378, 382
CPC .. A61J 1/00; A61J 1/1412; B65D 1/00; B65D
1/02; B65D 1/10; B65D 1/46; B65D
2585/56; B65D 2585/545; B65D 41/00;
B65D 41/38; B65D 41/56; B65D 41/62;
B65D 47/00; B65D 47/06; B65D 47/08;
B65D 2543/00046; B65D 2543/00092;
B65D 2543/00296; B65D 5/46; B65D
2251/00

See application file for complete search history.

U.S. PATENT DOCUMENTS

| | | | | |
|---------------|---------|------------|-------|-------------------------|
| D53,746 S * | 8/1919 | Moore | | D9/439 |
| 2,095,272 A * | 10/1937 | Vanderhoof | | B65D 39/12 215/215 |
| 2,549,404 A * | 4/1951 | Williams | | B65D 39/0064 215/364 |
| 2,598,403 A * | 5/1952 | Macey | | B65D 47/283 215/309 |
| 2,914,207 A * | 11/1959 | Moore | | B65D 39/0023 215/270 |
| 3,025,991 A * | 3/1962 | Gillon | | B65D 51/241 215/311 |
| 3,061,151 A * | 10/1962 | Clare | | B65D 47/06 222/478 |
| 3,317,071 A * | 5/1967 | Teeter | | B65D 39/12 215/360 |
| 3,494,244 A * | 2/1970 | Wayland | | A47B 17/00 24/453 |
| D278,594 S * | 4/1985 | Lye | | D8/25 |
| 4,899,684 A * | 2/1990 | Houzvic | | B65D 39/00 116/266 |

(Continued)

Primary Examiner — Michael A. Pratt
Assistant Examiner — Wendy L. Armino

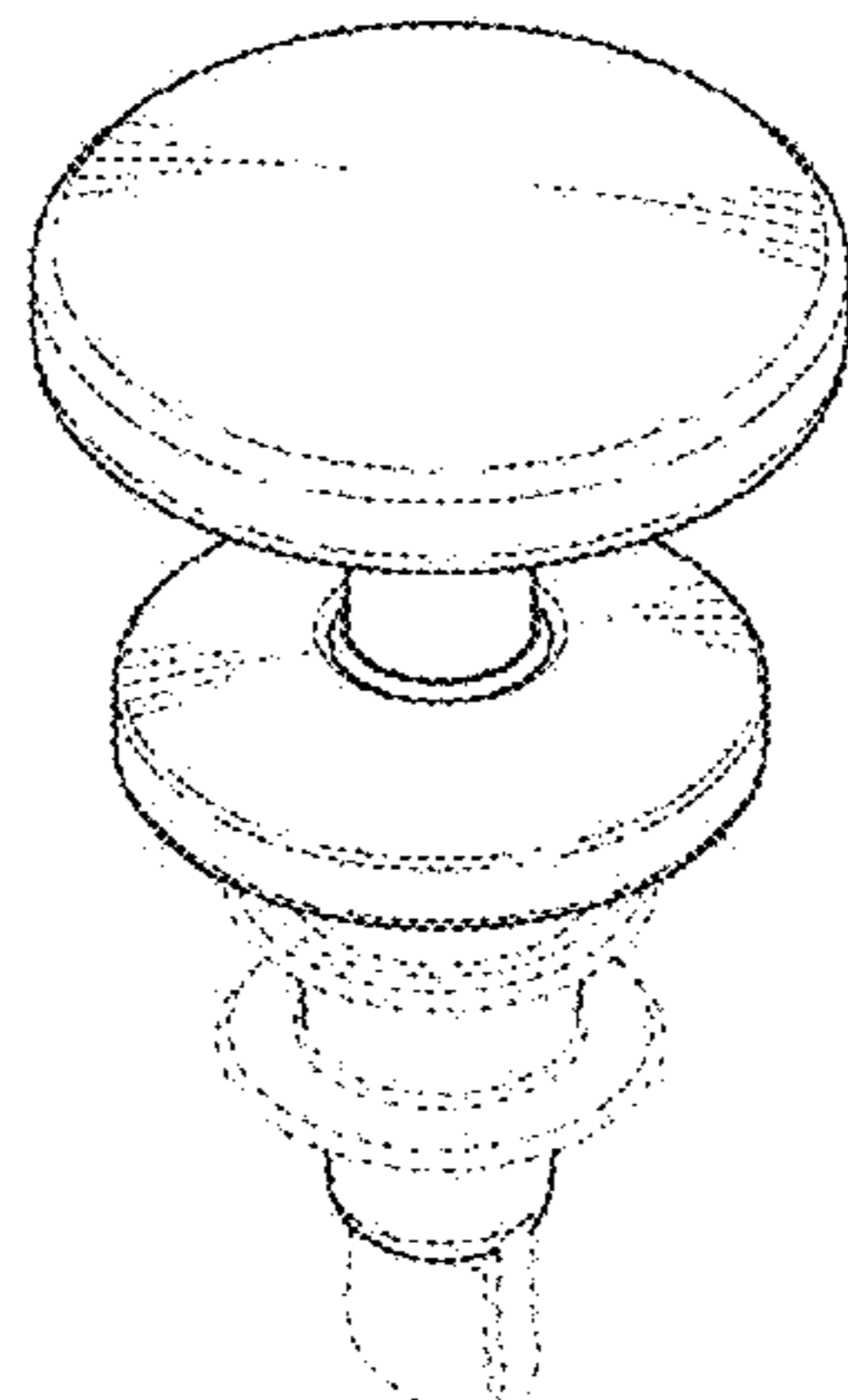
(57) **CLAIM**

The ornamental design for a bottle stopper, as shown, and described.

DESCRIPTION

FIG. 1 is a perspective view of the bottle stopper;
FIG. 2 is a left side view thereof (with the right side being a mirror image thereof);
FIG. 3 is a front side view thereof (with the rear side being a mirror image thereof);
FIG. 4 is a bottom view thereof;
FIG. 5 is a top view thereof; and,
FIG. 6 is a perspective view thereof in a use environment. The broken lines depict environment and form no part of the claimed design.

1 Claim, 6 Drawing Sheets



(56)

References Cited

U.S. PATENT DOCUMENTS

5,018,643 A * 5/1991 Bolduc B65D 83/687
206/219
5,261,914 A * 11/1993 Warren A61B 17/68
606/323
D420,589 S * 2/2000 Baxter D9/439
D462,257 S * 9/2002 Alexander D8/391
D469,351 S * 1/2003 Huang D9/428
D545,676 S * 7/2007 Rica D9/439
D643,721 S * 8/2011 Blinn D9/440
D658,478 S * 5/2012 Wall D8/349
8,297,899 B2 * 10/2012 Maloney B21K 1/58
411/339
D674,273 S * 1/2013 Yogev D8/382
D768,468 S * 10/2016 Maloney D8/382
2003/0062331 A1 * 4/2003 Lin B65D 39/12
215/361
2005/0235461 A1 * 10/2005 George E05D 5/12
16/387
2011/0147335 A1 * 6/2011 Garcia B65D 39/0023
215/230
2014/0033873 A1 * 2/2014 Lemper B67B 7/08
81/3.2

* cited by examiner

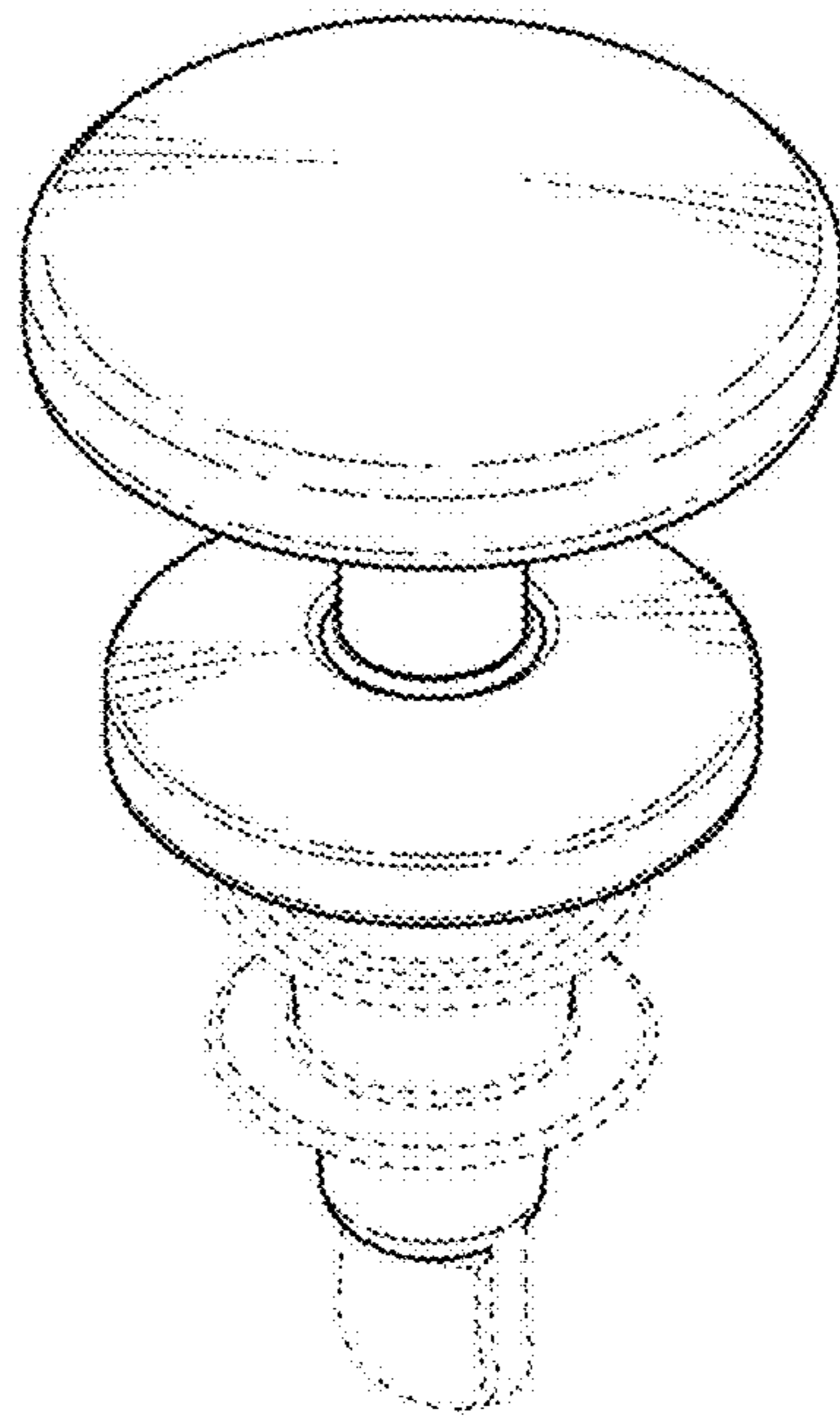


FIG. 1

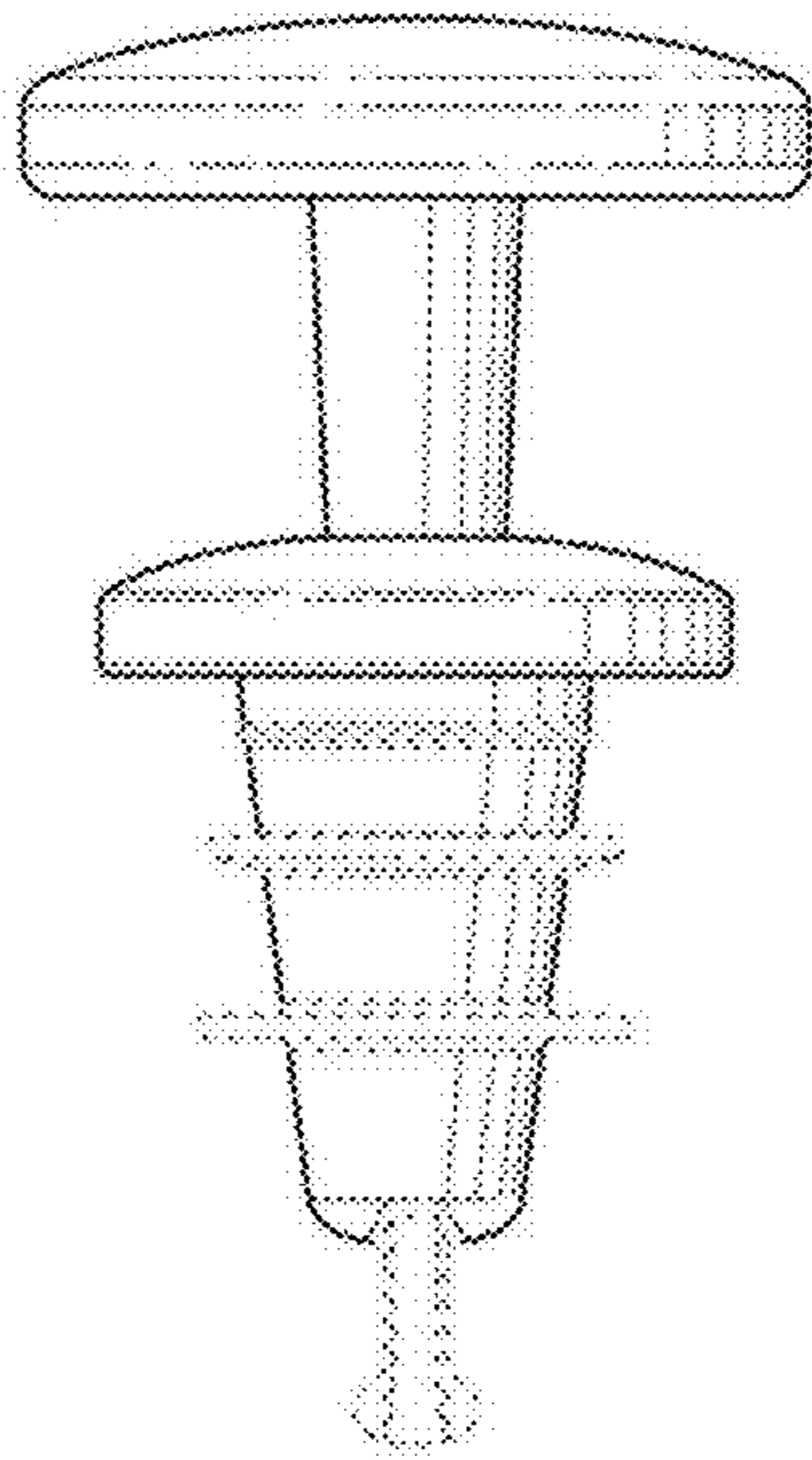


FIG. 2

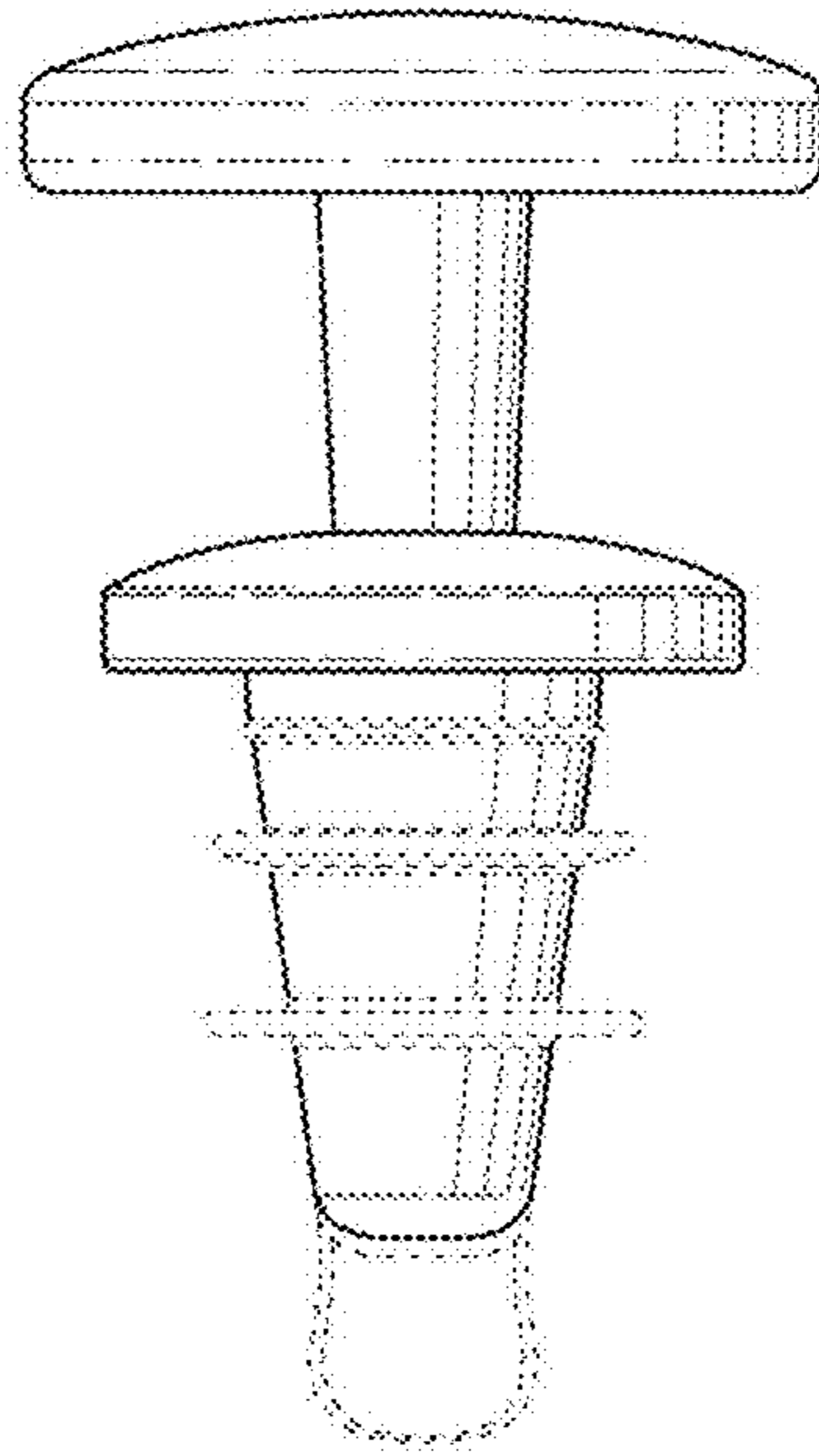


FIG. 3

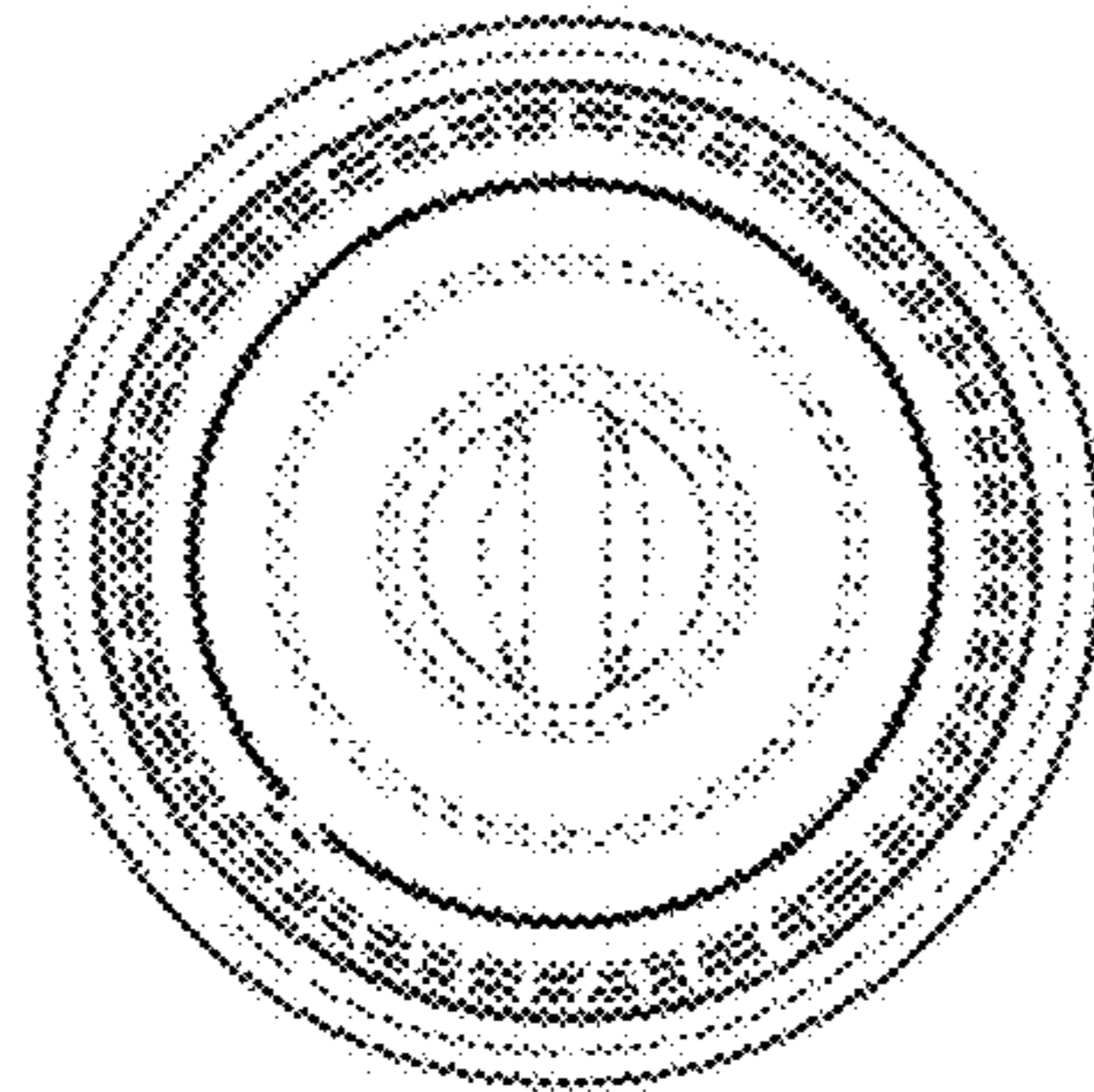


FIG. 4

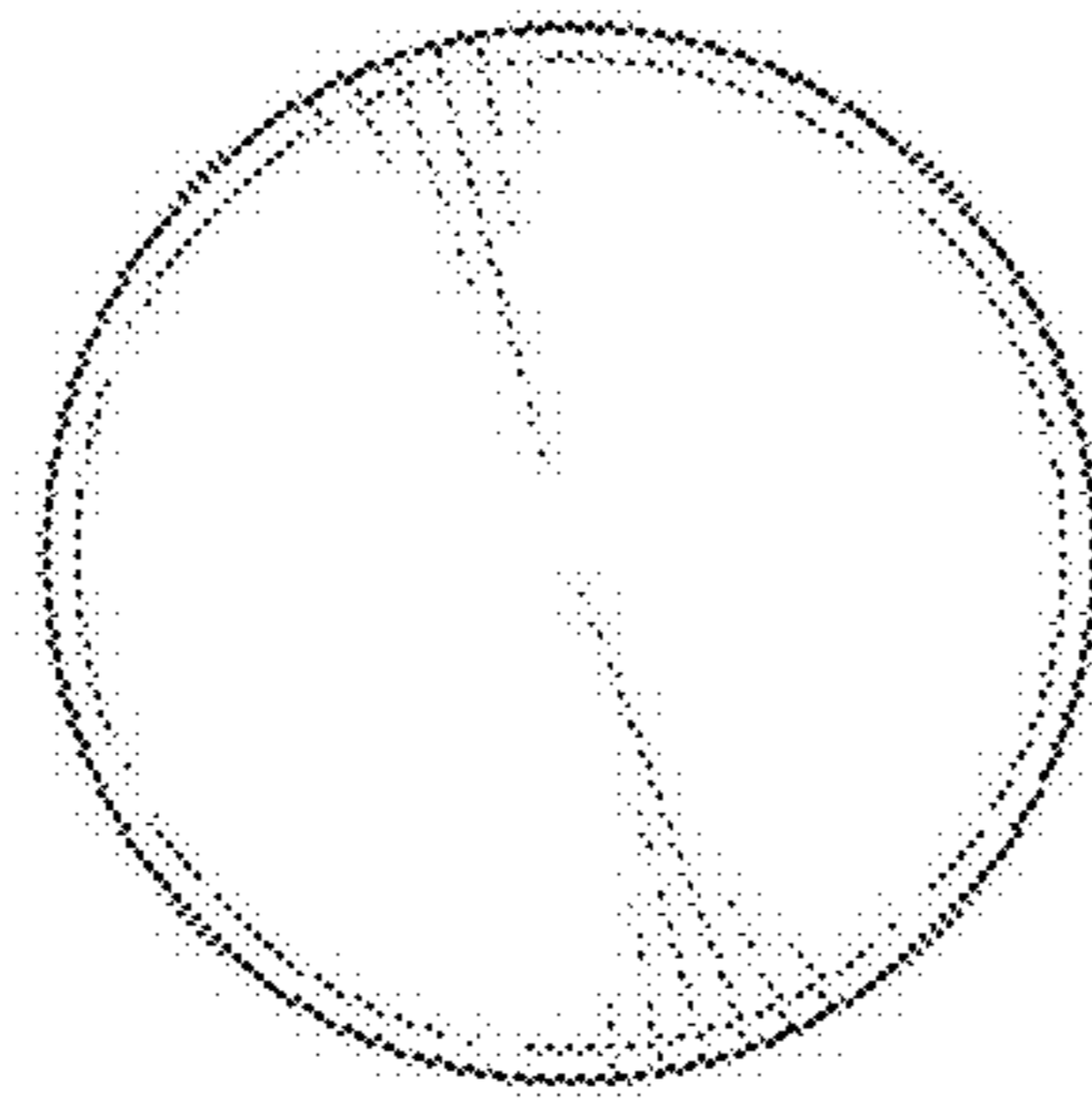


FIG. 5

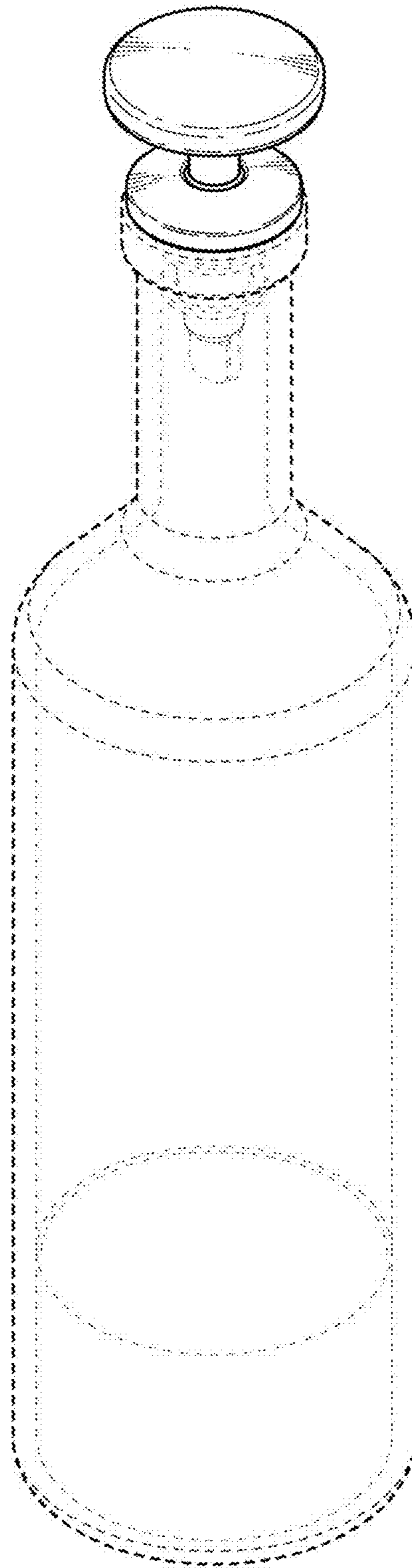


FIG. 6