



US00D835505S

(12) **United States Design Patent** (10) **Patent No.:** **US D835,505 S**
De Los Santos (45) **Date of Patent:** **** Dec. 11, 2018**

(54) **PIPE ELBOW REPAIR DEVICE** 5,772,253 A * 6/1998 Hodge F16L 17/04
285/15
(71) Applicant: **Innovative Maintenance Products, LLC, San Jose, CA (US)** D451,984 S * 12/2001 Tigerholm D23/262
D451,985 S * 12/2001 Tigerholm D23/262
D650,889 S * 12/2011 van Walraven D23/265
(72) Inventor: **Elias De Los Santos, San Jose, CA (US)** D697,592 S * 1/2014 Hebert D23/259
9,273,814 B1 * 3/2016 De Los Santos F16L 55/172
D767,105 S * 9/2016 Richards D23/263
D805,888 S * 12/2017 De Los Santos D8/396
(73) Assignee: **INNOVATIVE MAINTENANCE PRODUCTS, LLC, San Jose, CA (US)** 2003/0178850 A1 * 9/2003 Dole F16L 17/04
285/420
2004/0100091 A1 * 5/2004 Krausz F16L 55/172
285/15

(**) Term: **15 Years**

(21) Appl. No.: **29/583,894**

(22) Filed: **Nov. 9, 2016**

(51) **LOC (11) Cl.** **08-08**

(52) **U.S. Cl.**
USPC **D8/396**

(58) **Field of Classification Search**
USPC D23/259–260, 262–266; D8/382, D8/394–396; 403/290, 343, 344, 44, 46, 403/57, 300, 296; 285/15, 180, 181, 197, 285/205, 206, 86, 89, 90, 92, 366, 368, 285/406, 410, 412, 415
CPC . F16L 21/02; F16L 21/06; F16L 55/18; F16L 15/22; F16L 23/00; F16J 15/22; F16J 1/005; B65D 45/34
See application file for complete search history.

(56) **References Cited**

U.S. PATENT DOCUMENTS

4,699,177 A * 10/1987 Thomas F16L 5/02
138/103
5,605,357 A * 2/1997 Bird F16L 55/172
285/15

* cited by examiner

Primary Examiner — Eric L Goodman

Assistant Examiner — Amy C Wierenga

(74) *Attorney, Agent, or Firm* — James M. Duncan, Esq.; Klein DeNatale Goldner

(57) **CLAIM**

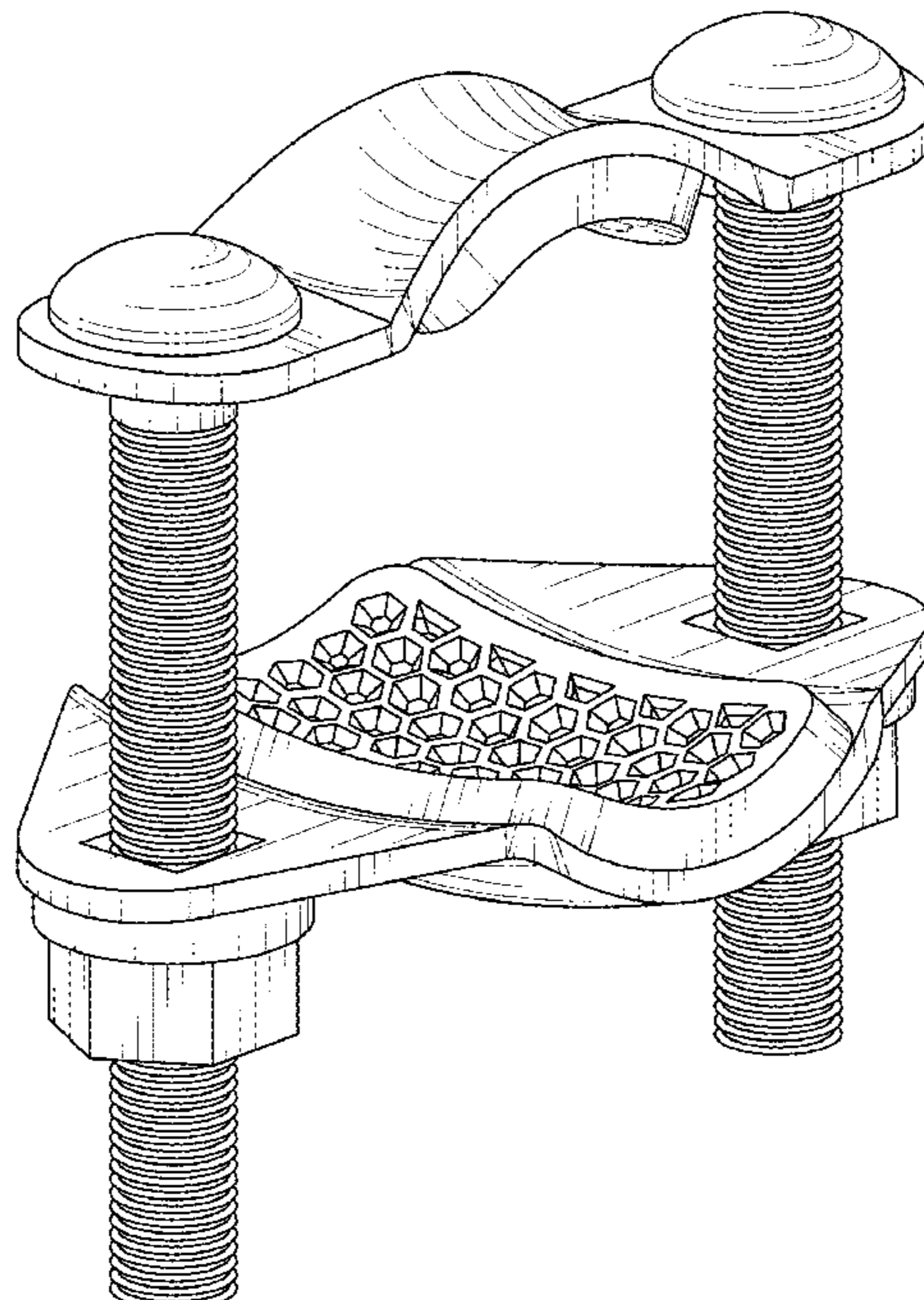
The ornamental design for a pipe elbow repair device, as shown and described.

DESCRIPTION

FIG. 1 is a perspective view of a pipe elbow repair device showing my new design;
FIG. 2 is a front view thereof;
FIG. 3 is a rear view thereof;
FIG. 4 is a left side view thereof;
FIG. 5 is a right side view thereof;
FIG. 6 is a top view thereof; and,
FIG. 7 is a bottom view thereof.

The dashed broken lines depict portions of the pipe elbow repair device that form no part of the claimed design.

1 Claim, 5 Drawing Sheets



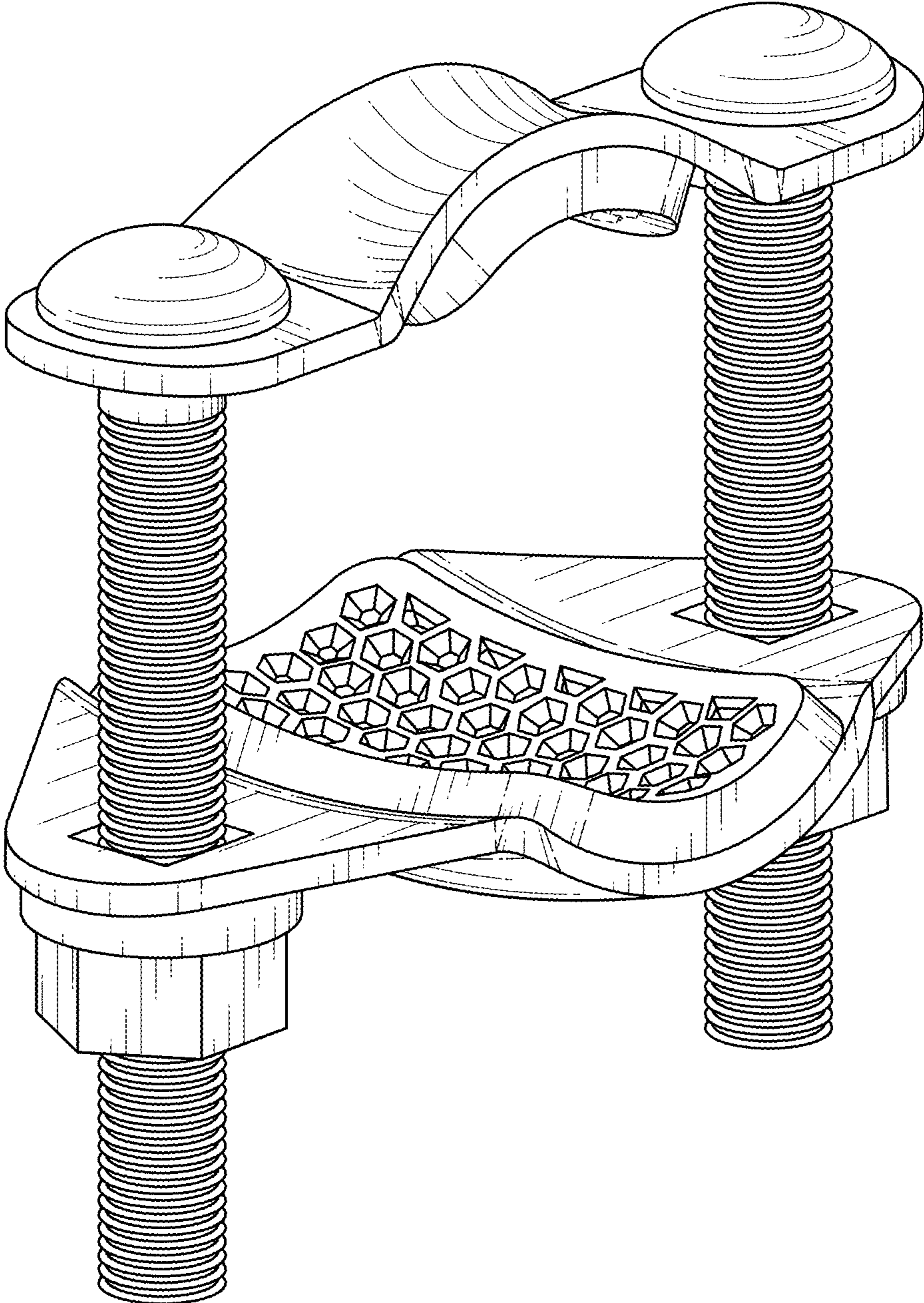


FIG. 1

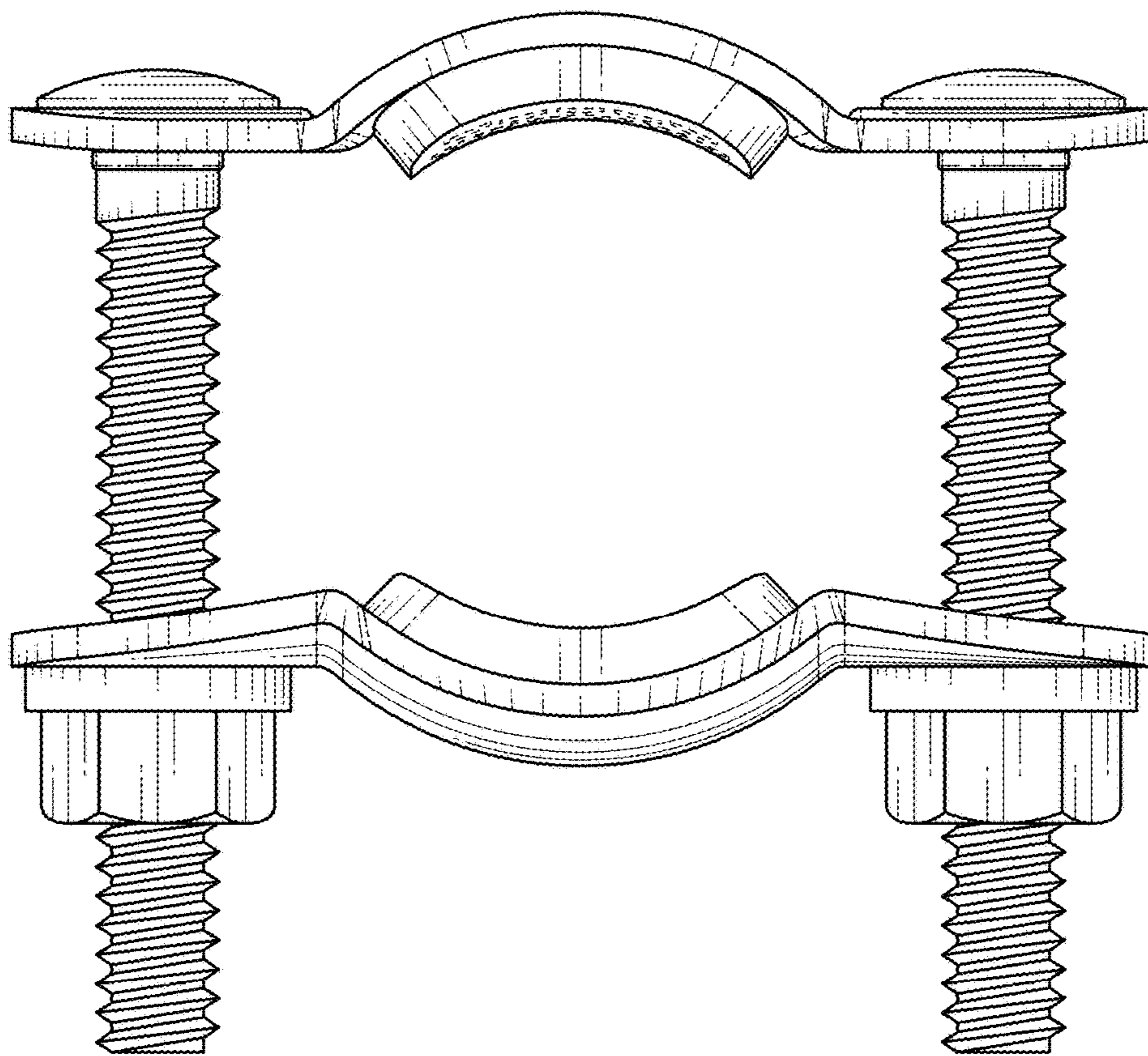


FIG. 2

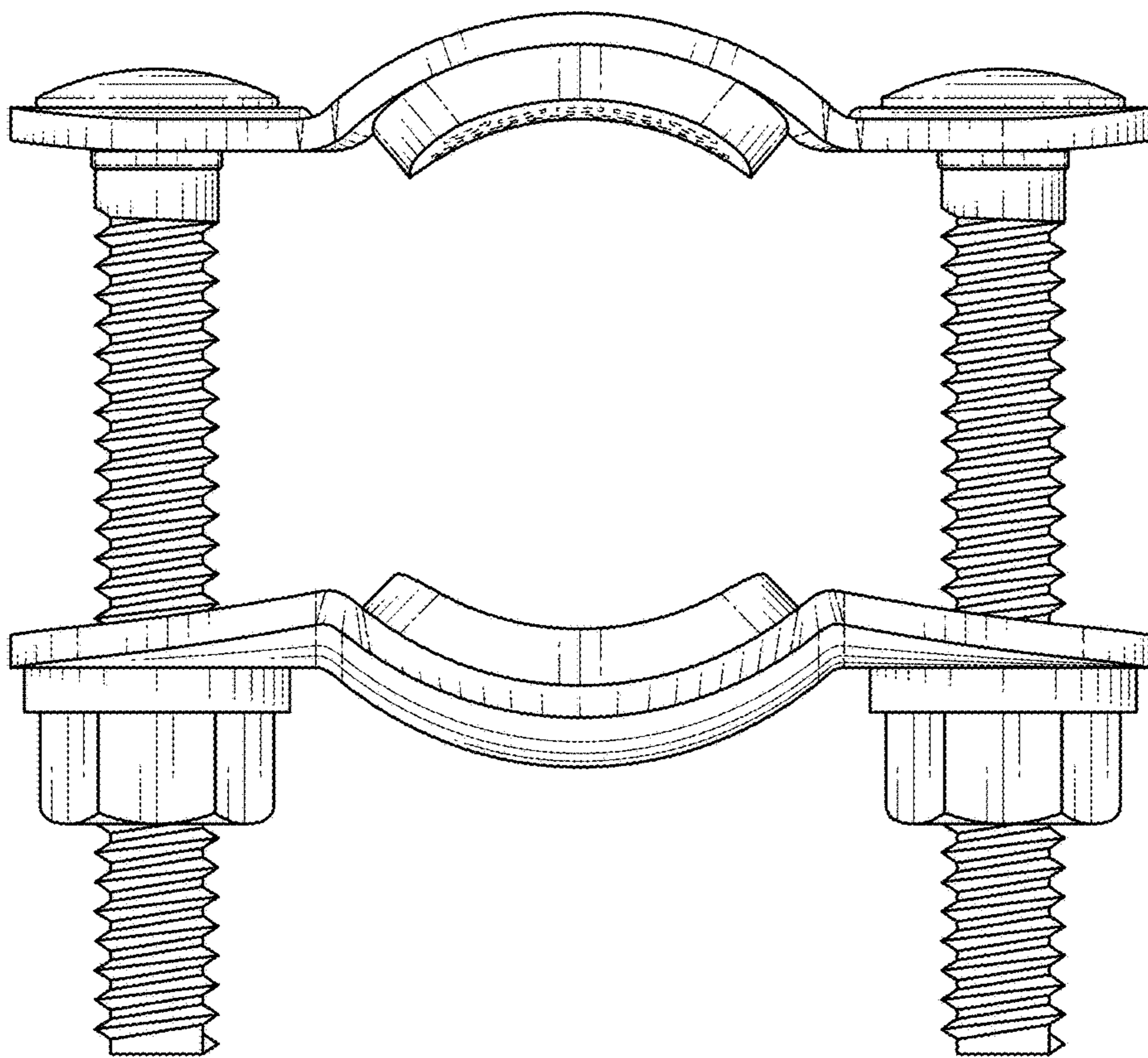


FIG. 3

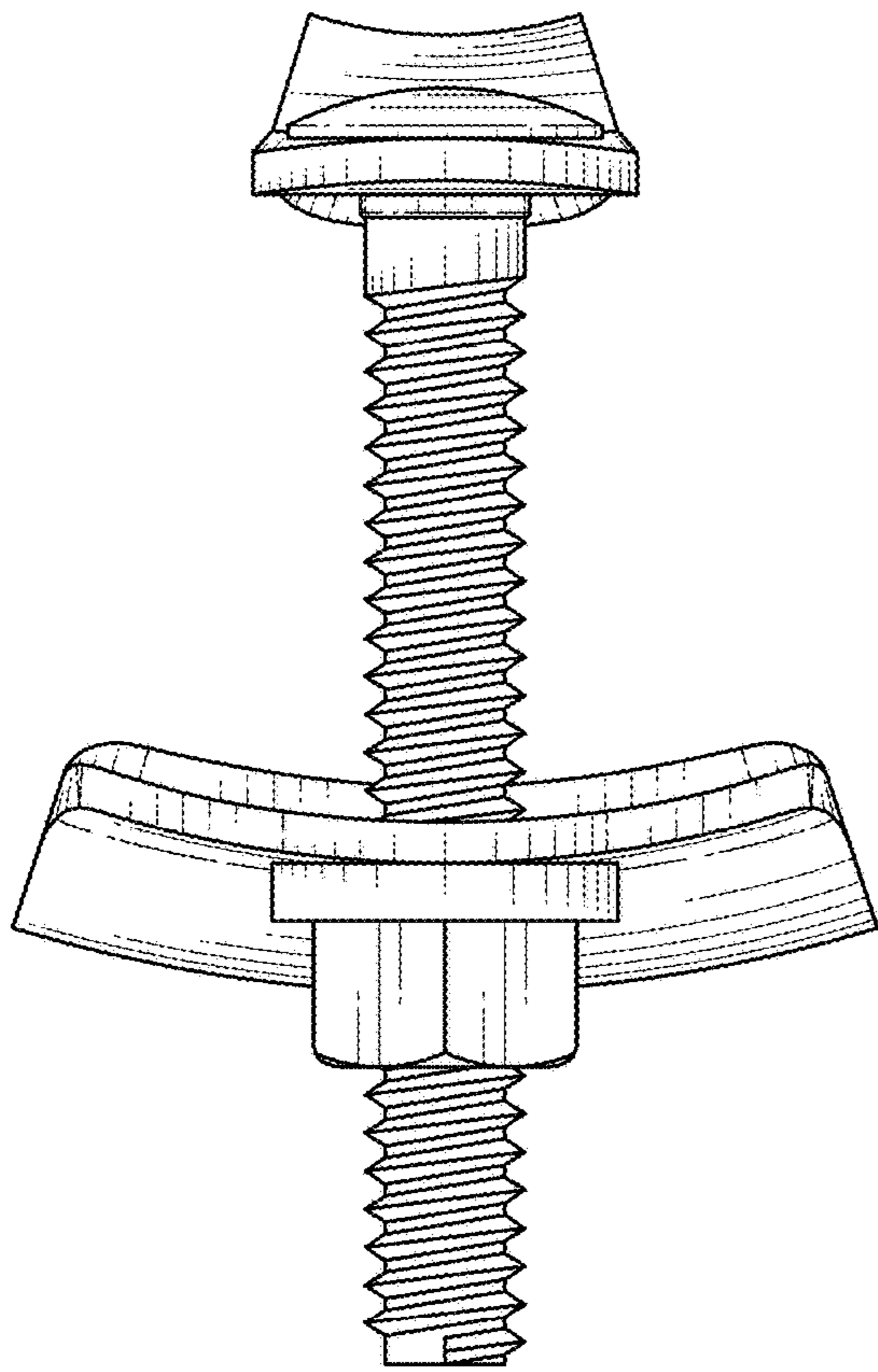


FIG. 4

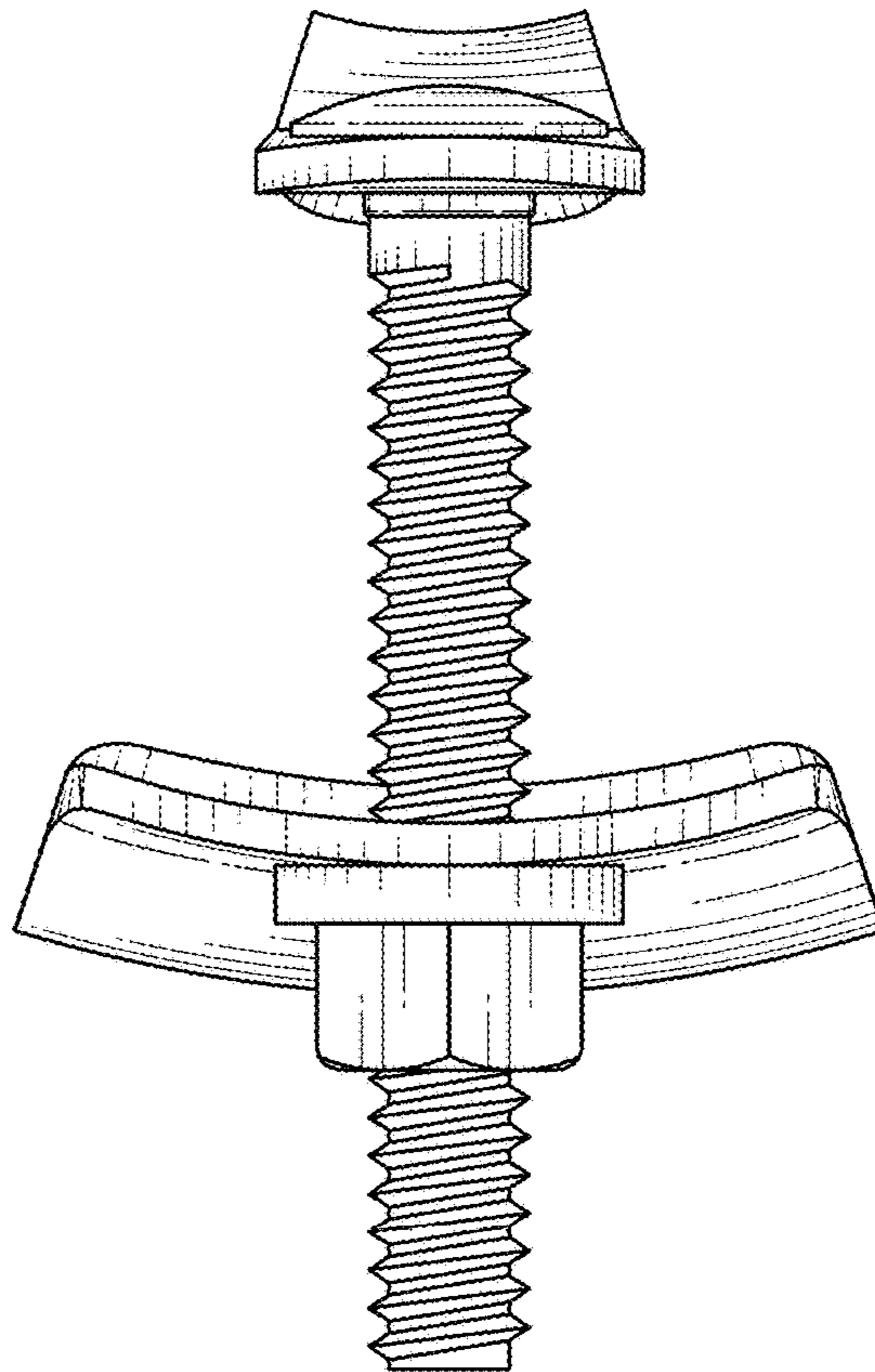


FIG. 5

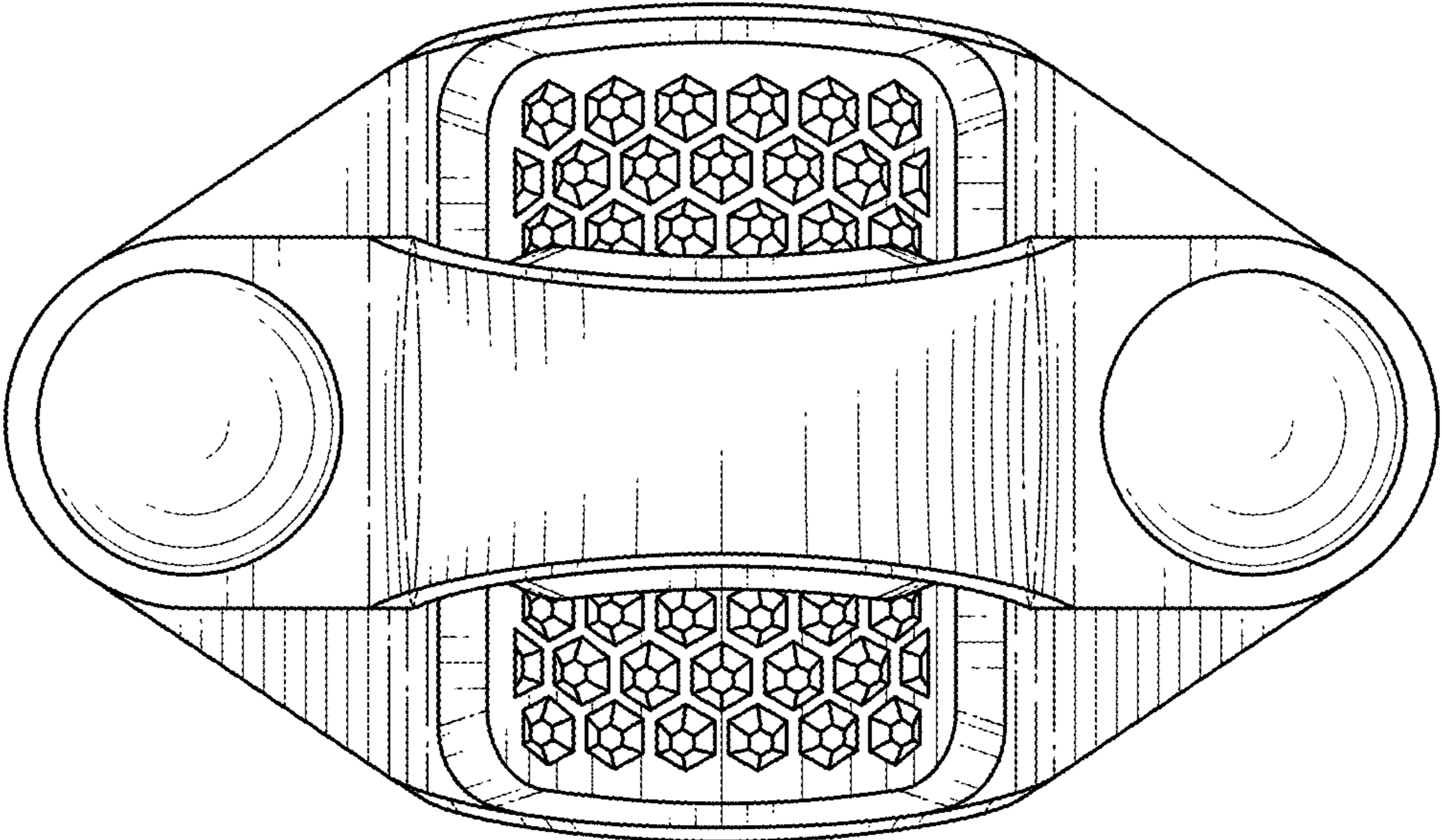


FIG. 6

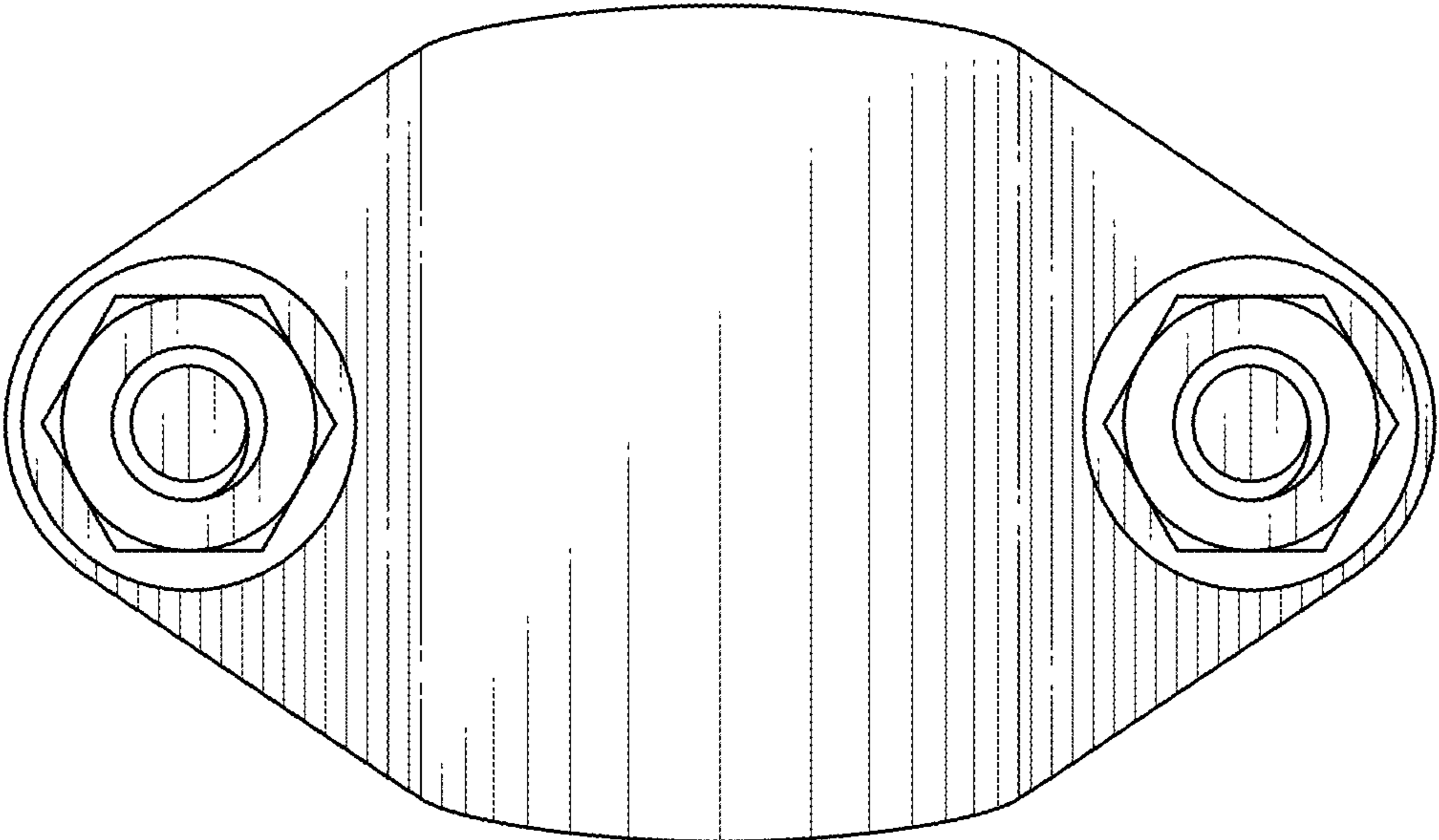


FIG. 7