



US00D835504S

(12) **United States Design Patent**
Votel et al.

(10) **Patent No.:** **US D835,504 S**

(45) **Date of Patent:** **** Dec. 11, 2018**

- (54) **ANCHOR POINT FOR A DRIVER**
- (71) Applicant: **Tenacious Holdings, Inc.**, St. Paul, MN (US)
- (72) Inventors: **Thomas Votel**, Sunfish Lake, MN (US); **Ian Forte**, Crystal, MN (US); **Nathan Bohmbach**, Lakeville, MN (US); **Paul Goudreau**, Edina, MN (US)
- (73) Assignee: **Tenacious Holdings, Inc.**, St. Paul, MN (US)
- (**) Term: **15 Years**
- (21) Appl. No.: **29/616,706**
- (22) Filed: **Sep. 7, 2017**
- (51) **LOC (11) Cl.** **08-08**
- (52) **U.S. Cl.**
USPC **D8/394**
- (58) **Field of Classification Search**
USPC D8/71-74, 394-399, 59; 248/63, 72, 248/74.1, 689, 124.2; 81/487, 385, 386, 81/388-390; 269/3, 4, 6, 143, 165, 240, 269/243, 246-249, 254 R, 147-149; 29/256, 257, 276; 408/103, 104-109
CPC B25B 1/00; B25B 5/00
See application file for complete search history.

D399,730 S *	10/1998	Pitre	D8/399
D532,291 S *	11/2006	Geers	D8/394
D543,447 S *	5/2007	Allsopp	D8/394
7,722,019 B2 *	5/2010	Losi, Jr.	B25B 11/00 269/100
D618,992 S *	7/2010	Rix	D8/354
D641,607 S *	7/2011	Chambers	D8/373
D693,668 S *	11/2013	Wojtowicz	D8/394
D763,674 S *	8/2016	Nagaki	D8/394
D769,111 S *	10/2016	Kamiya	D8/394
D809,375 S *	2/2018	Wyser	D8/395

* cited by examiner

Primary Examiner — David Muller

(74) *Attorney, Agent, or Firm* — Skaar Ulbrich Macari, P.A.

(57) **CLAIM**

The ornamental design for an anchor point for a driver, as shown and described.

DESCRIPTION

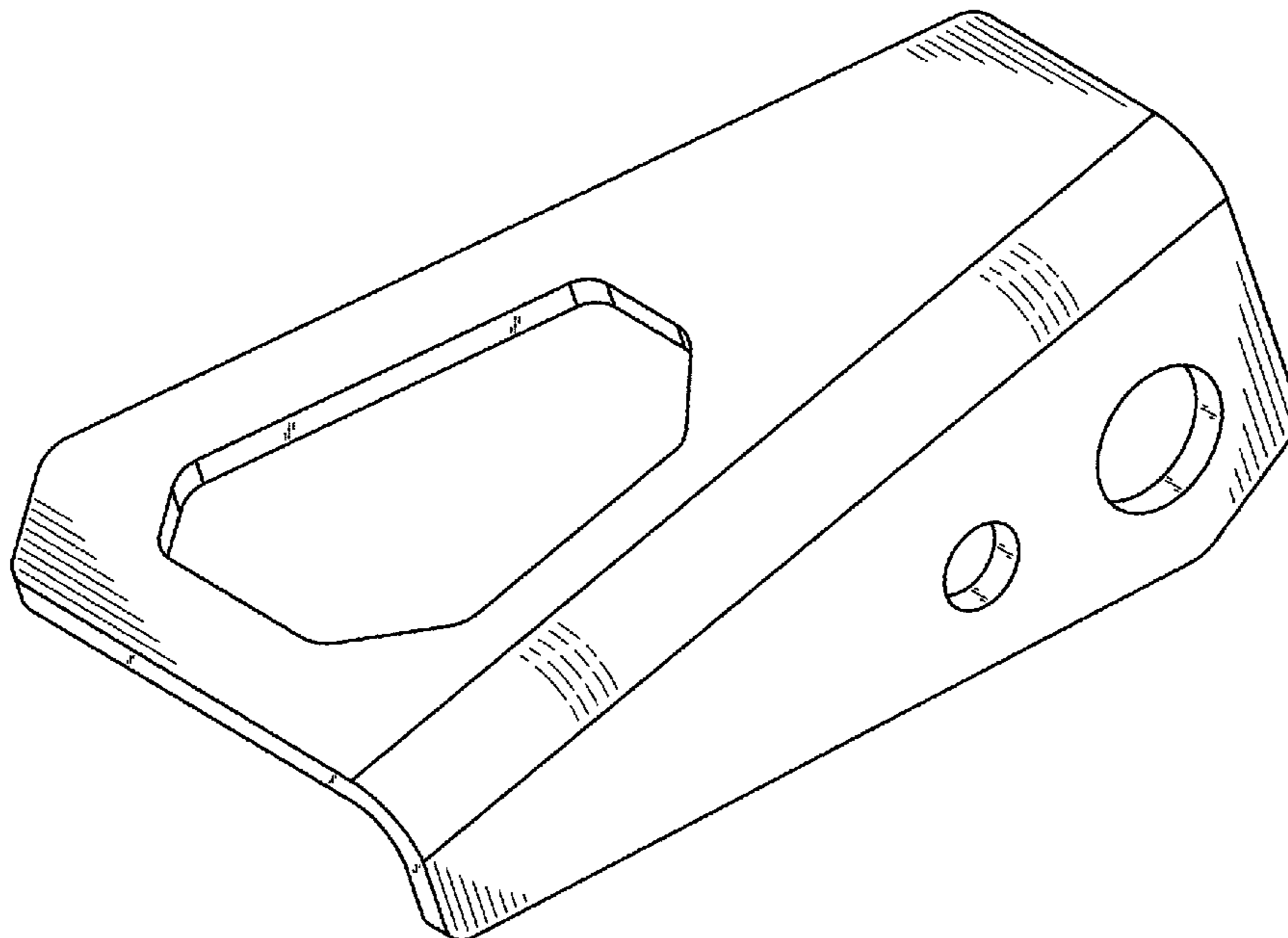
FIG. 1 is a perspective view of an anchor point for a driver showing our new design;
 FIG. 2 is another perspective view thereof;
 FIG. 3 is a top plan view of the left side thereof;
 FIG. 4 is a bottom plan view of the left side thereof;
 FIG. 5 is a right side elevation view thereof;
 FIG. 6 is a left side elevation view thereof;
 FIG. 7 is a top plan view of the right side thereof;
 FIG. 8 is a bottom plan view of the right side thereof; and,
 FIG. 9 is a perspective view thereof attached to a driver.
 The broken lines shown in the figures illustrate structures for illustrative purposes only and form no part of the claimed design.

(56) **References Cited**

U.S. PATENT DOCUMENTS

D266,144 S *	9/1982	Wallace	D8/354
D336,032 S *	6/1993	Brooks, Jr.	D21/597
D339,521 S *	9/1993	Bartlett	D11/212

1 Claim, 8 Drawing Sheets



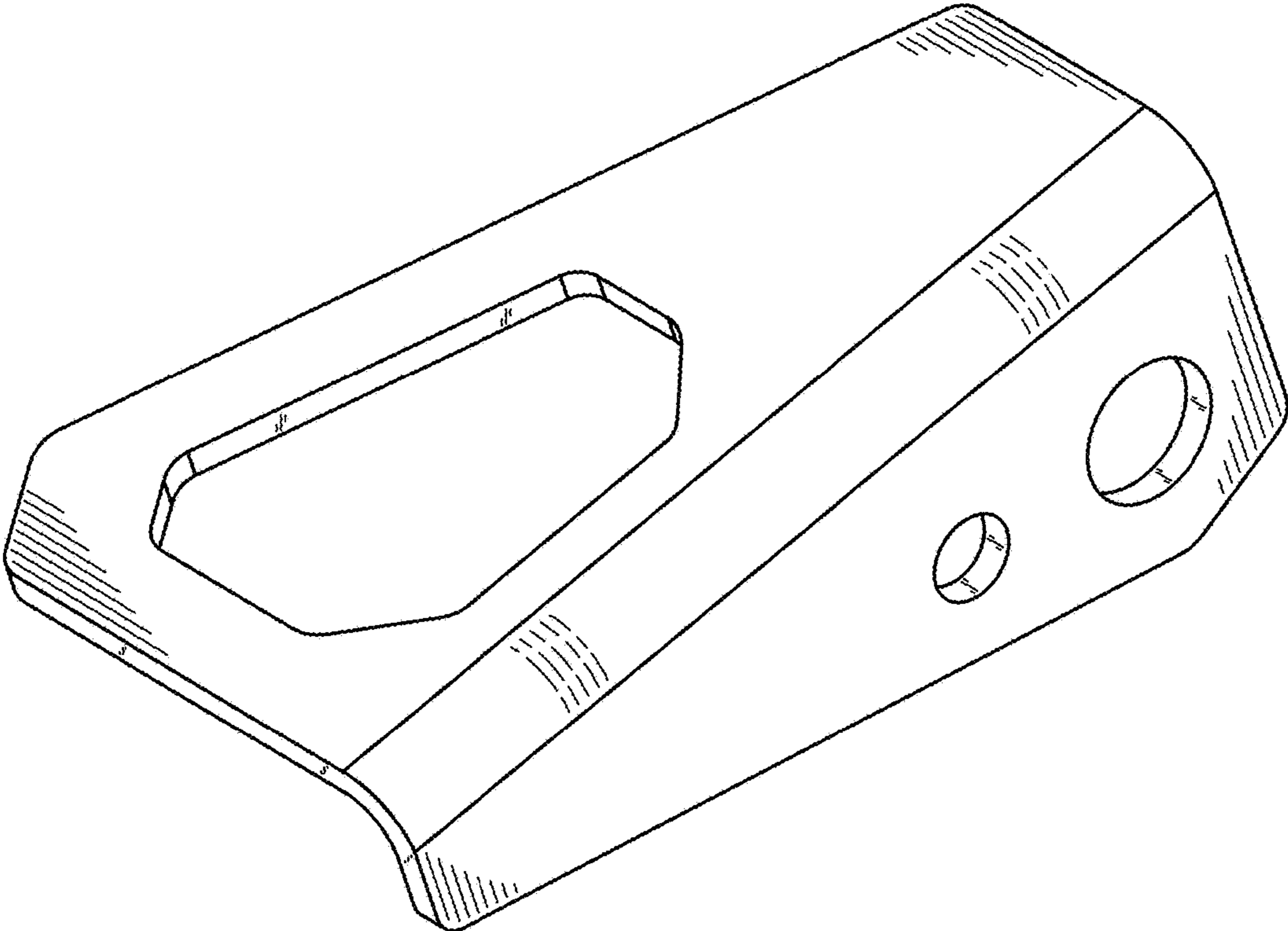


FIG. 1

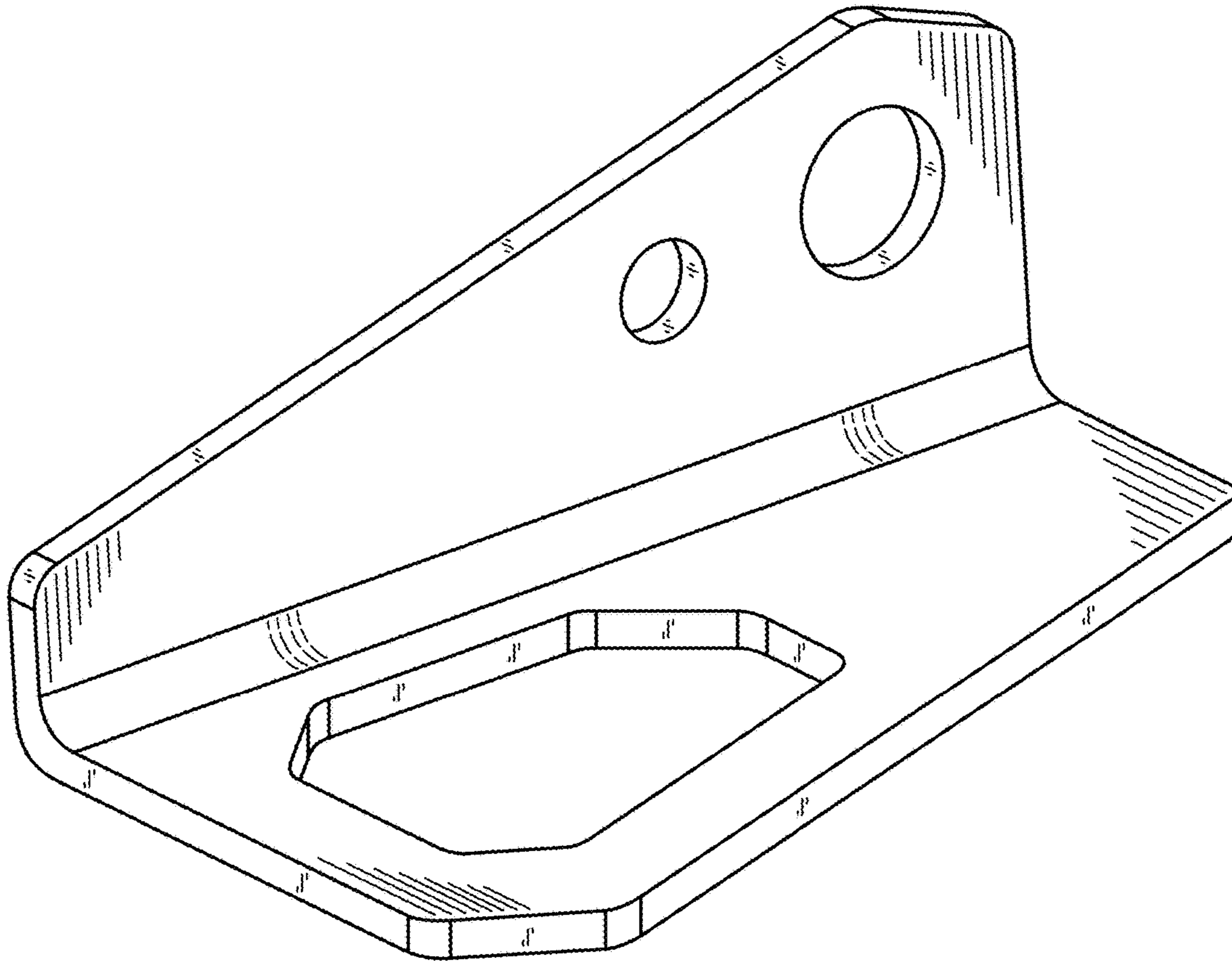


FIG. 2

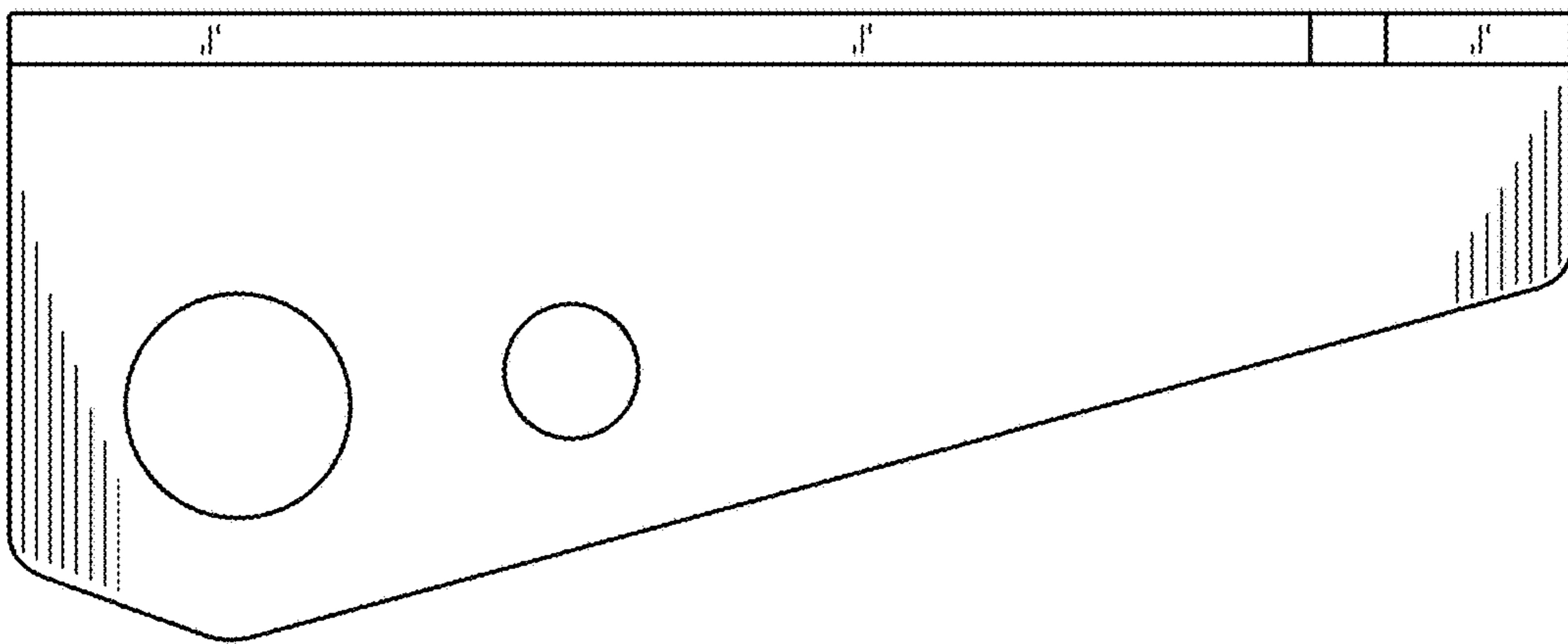


FIG. 3

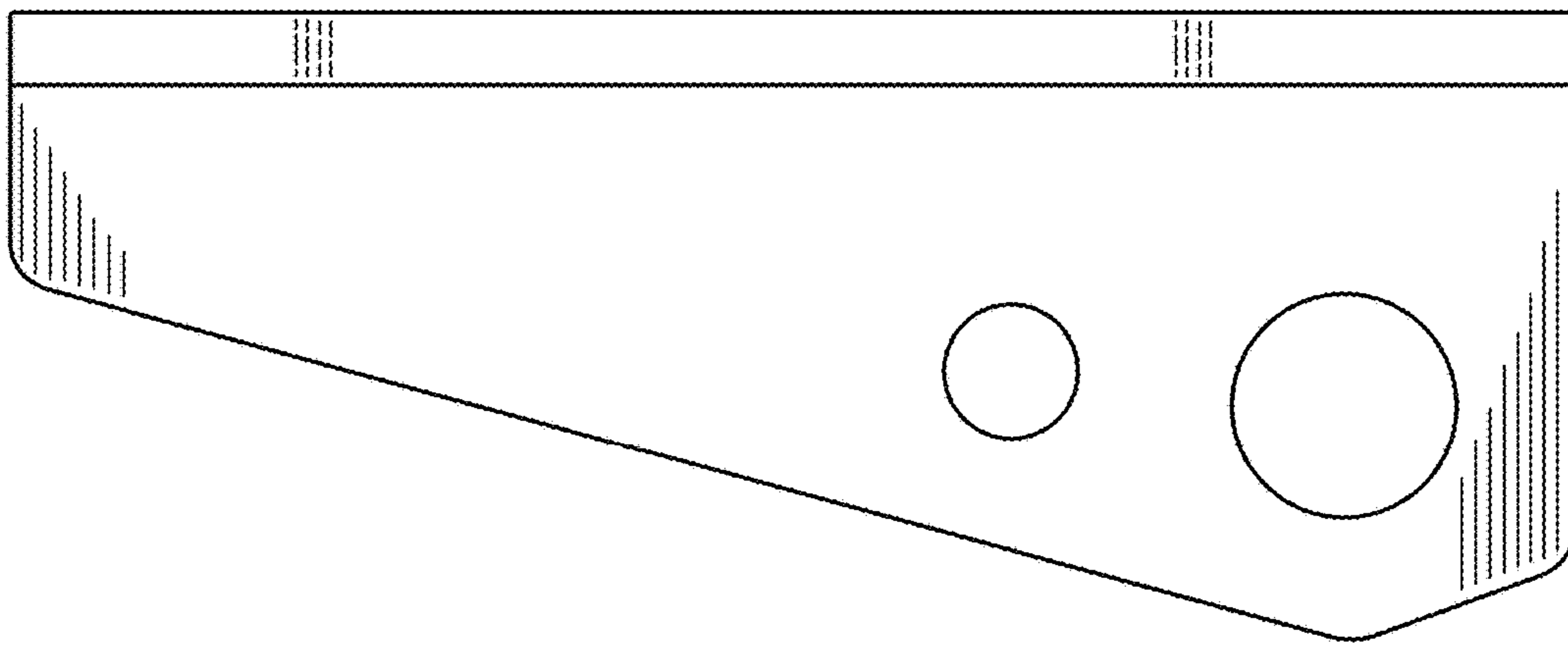


FIG. 4

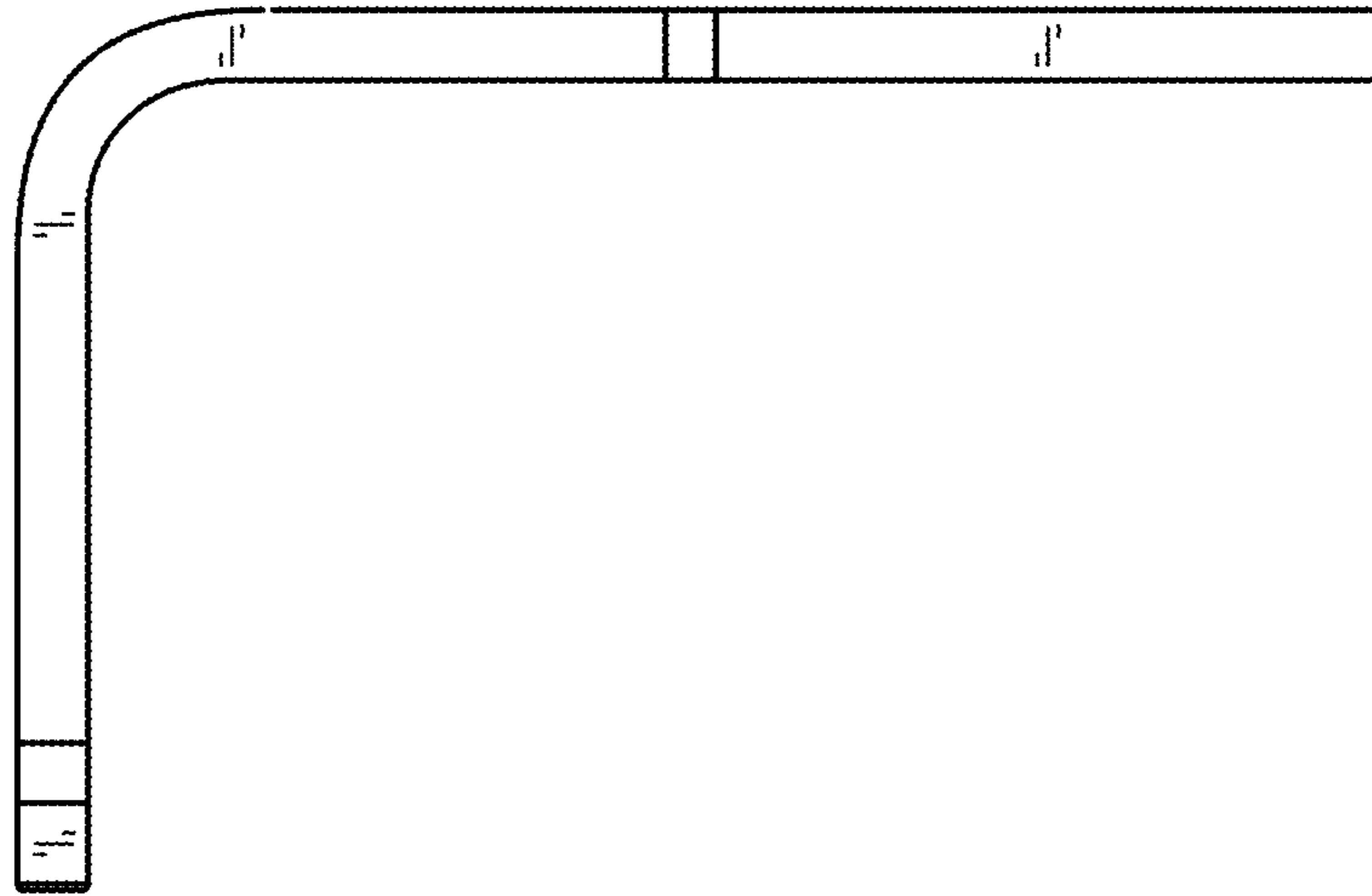


FIG. 5

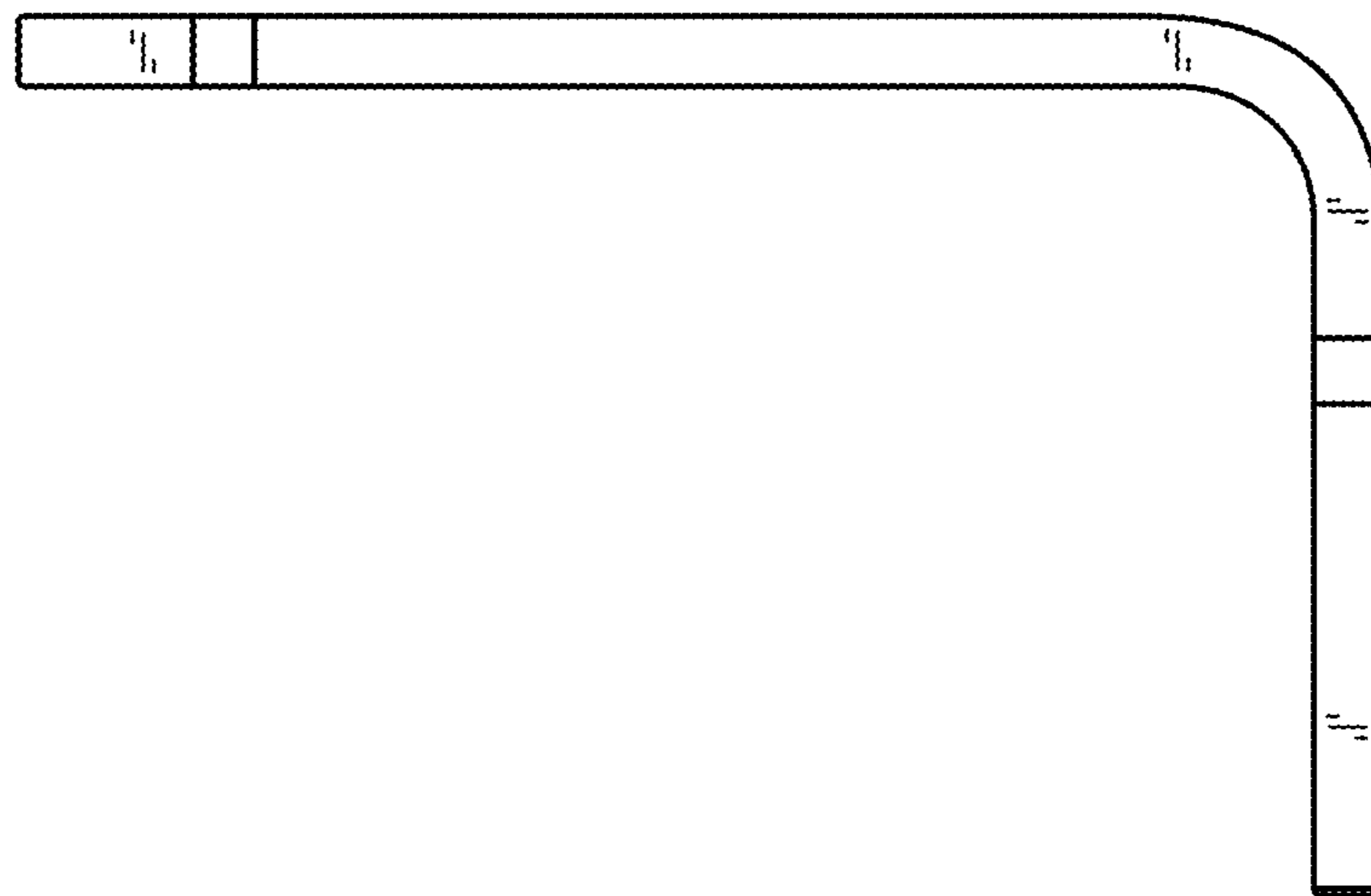


FIG. 6

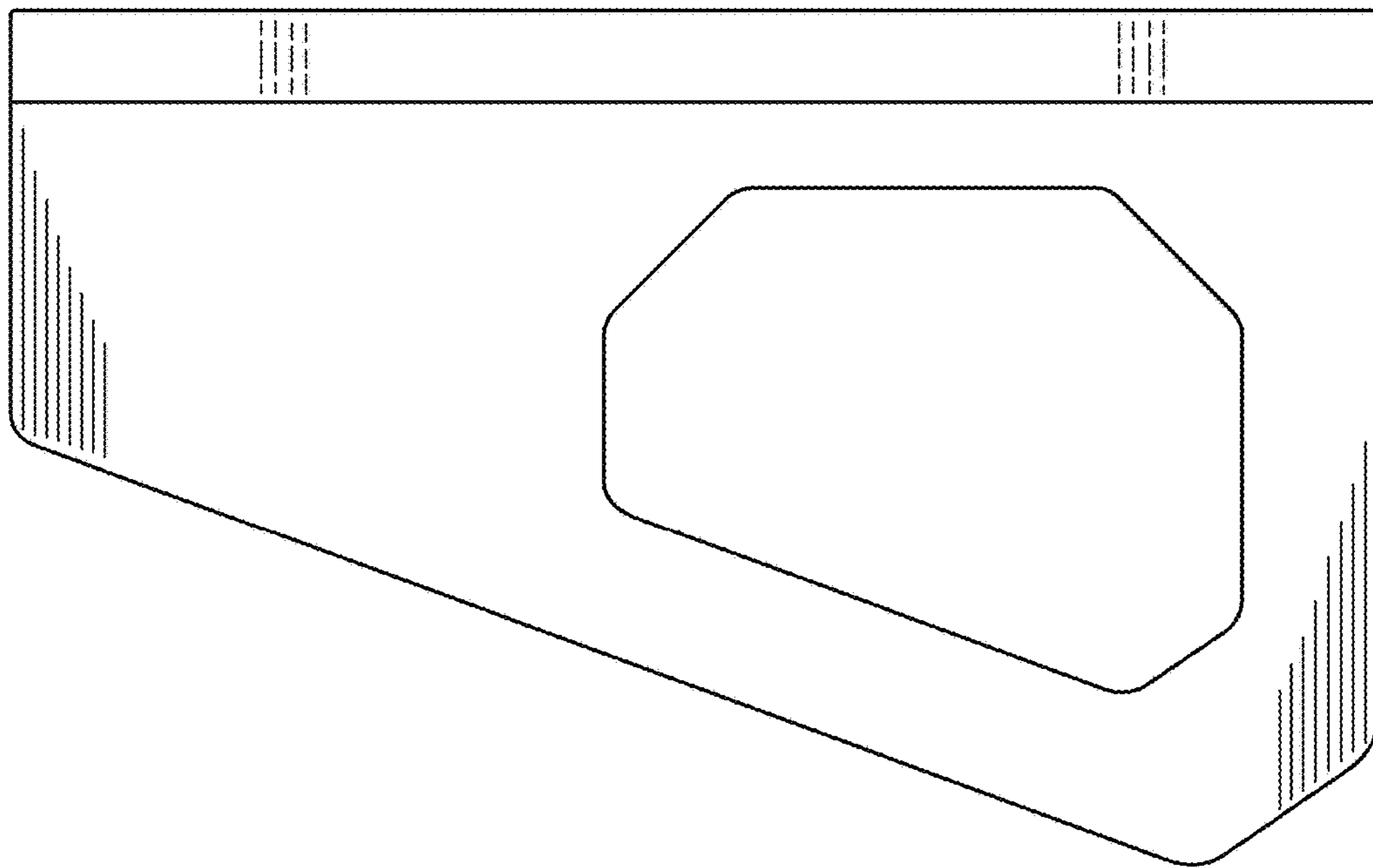


FIG. 7

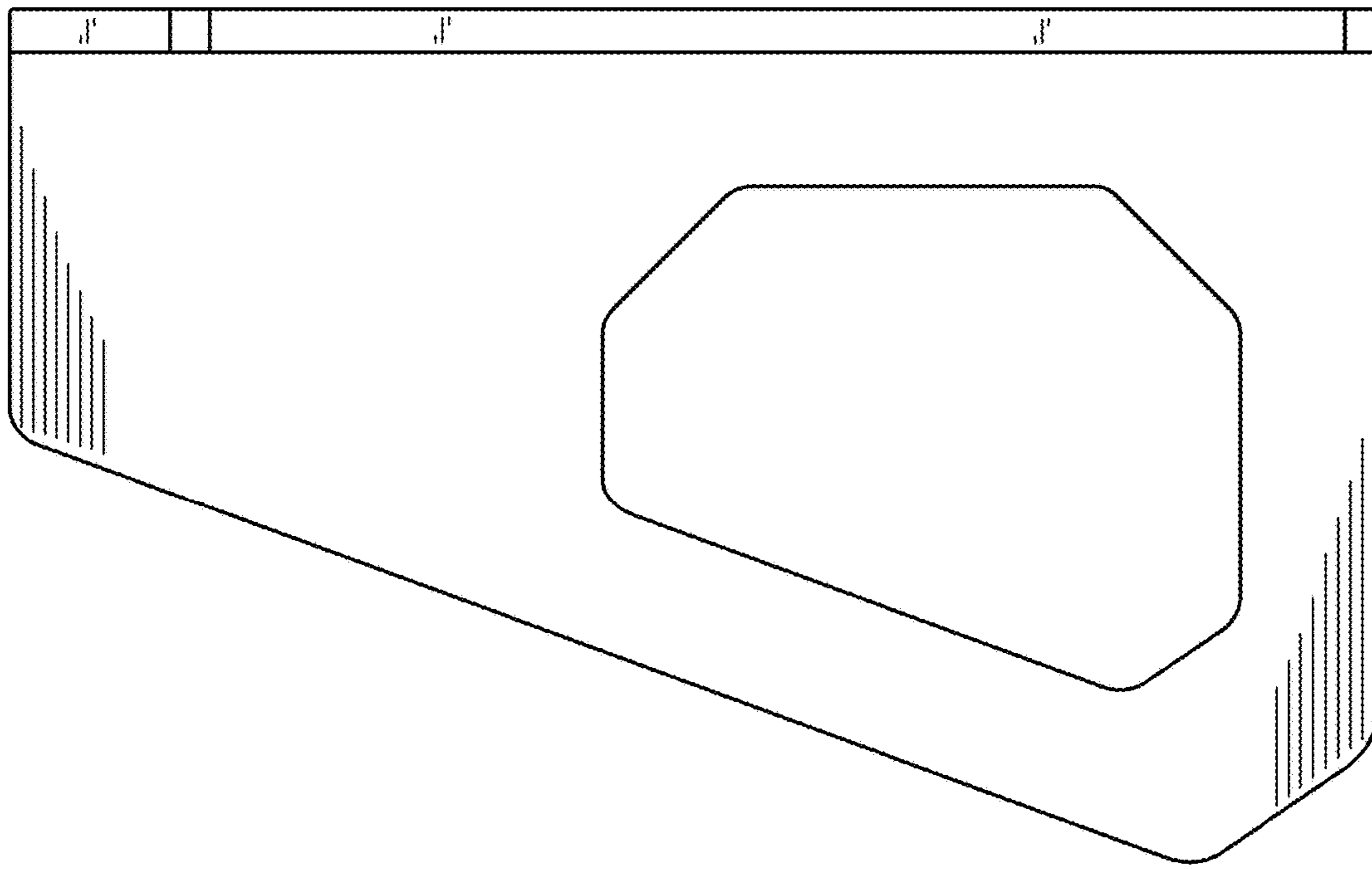


FIG. 8

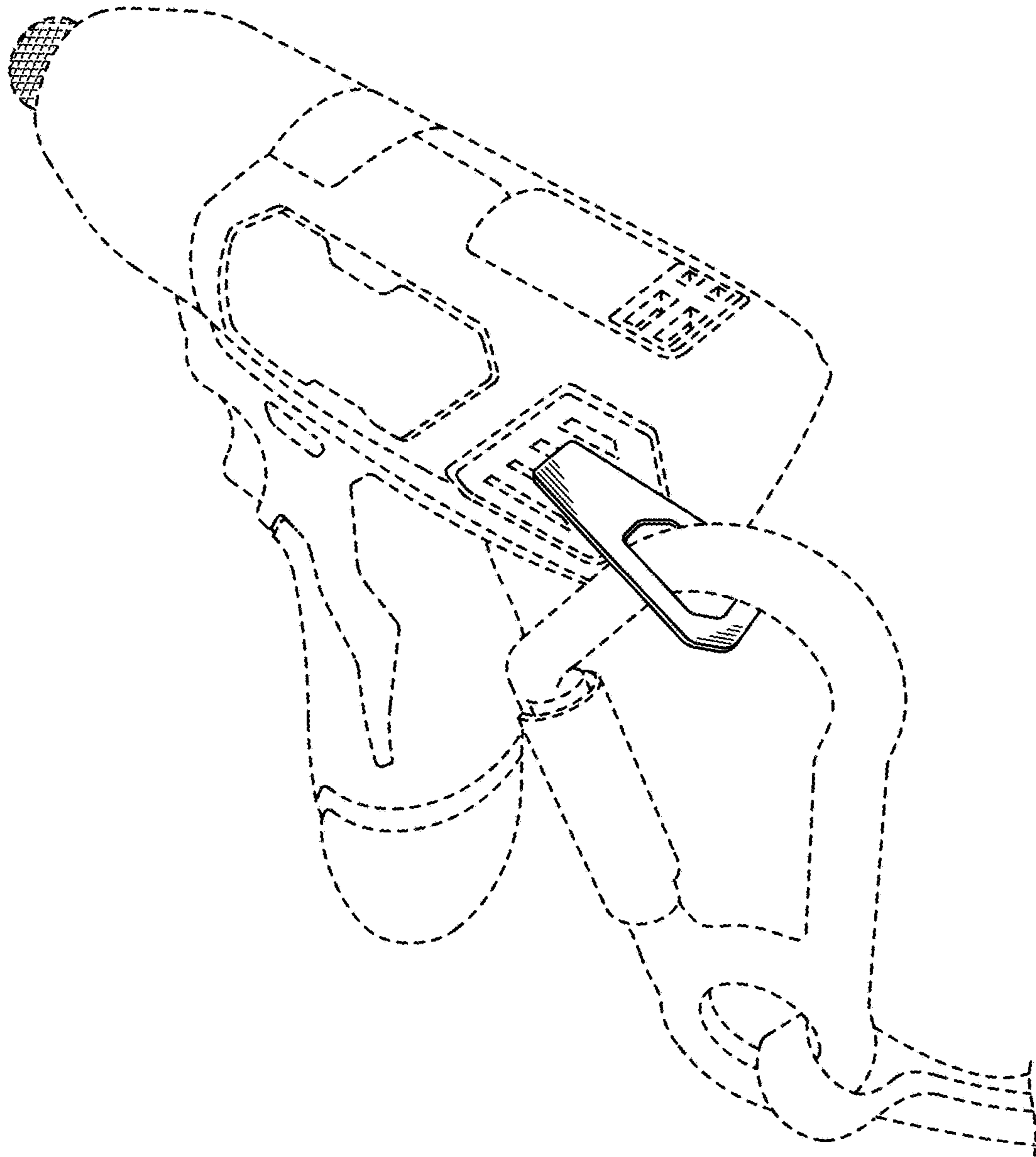


FIG. 9