



US00D835503S

(12) **United States Design Patent**  
**Votel et al.**

(10) **Patent No.:** **US D835,503 S**

(45) **Date of Patent:** **\*\* Dec. 11, 2018**

(54) **ANCHOR POINT FOR AN AIR TOOL**

(71) Applicant: **Tenacious Holdings, Inc.**, St. Paul, MN (US)

(72) Inventors: **Thomas Votel**, Sunfish Lake, MN (US); **Ian Forte**, Crystal, MN (US); **Nathan Bohmbach**, Lakeville, MN (US); **Paul Goudreau**, Edina, MN (US)

(73) Assignee: **Tenacious Holdings, Inc.**, St. Paul, MN (US)

(\*\*) Term: **15 Years**

(21) Appl. No.: **29/616,702**

(22) Filed: **Sep. 7, 2017**

(51) **LOC (11) Cl.** ..... **08-08**

(52) **U.S. Cl.**  
USPC ..... **D8/394**

(58) **Field of Classification Search**  
USPC ..... D8/71-74, 394-399, 59; 248/63, 72, 248/74.1, 689, 124.2; 81/487, 385, 386, 81/388-390; 269/3, 4, 6, 143, 165, 240, 269/243, 246-249, 254 R, 147-149; 29/256, 257, 276; 408/103, 104-109  
CPC ..... B25B 1/00; B25B 5/00  
See application file for complete search history.

(56) **References Cited**

**U.S. PATENT DOCUMENTS**

D266,144 S \* 9/1982 Wallace ..... D8/354  
D336,032 S \* 6/1993 Brooks, Jr. .... D21/597  
D339,521 S \* 9/1993 Bartlett ..... D11/212

D399,730 S \* 10/1998 Pitre ..... D8/399  
7,722,019 B2 \* 5/2010 Losi, Jr. .... B25B 11/00  
269/100  
D641,607 S \* 7/2011 Chambers ..... D8/373  
D691,034 S \* 10/2013 Field ..... D8/399  
D693,668 S \* 11/2013 Wojtowicz ..... D8/394  
D736,074 S \* 8/2015 Soliman ..... D8/394  
D763,674 S \* 8/2016 Nagaki ..... D8/394  
D769,111 S \* 10/2016 Kamiya ..... D8/394  
D809,375 S \* 2/2018 Wyser ..... D8/395  
D817,140 S \* 5/2018 Mouthaan ..... D8/71

\* cited by examiner

*Primary Examiner* — David Muller

(74) *Attorney, Agent, or Firm* — Skaar Ulbrich Macari, P.A.

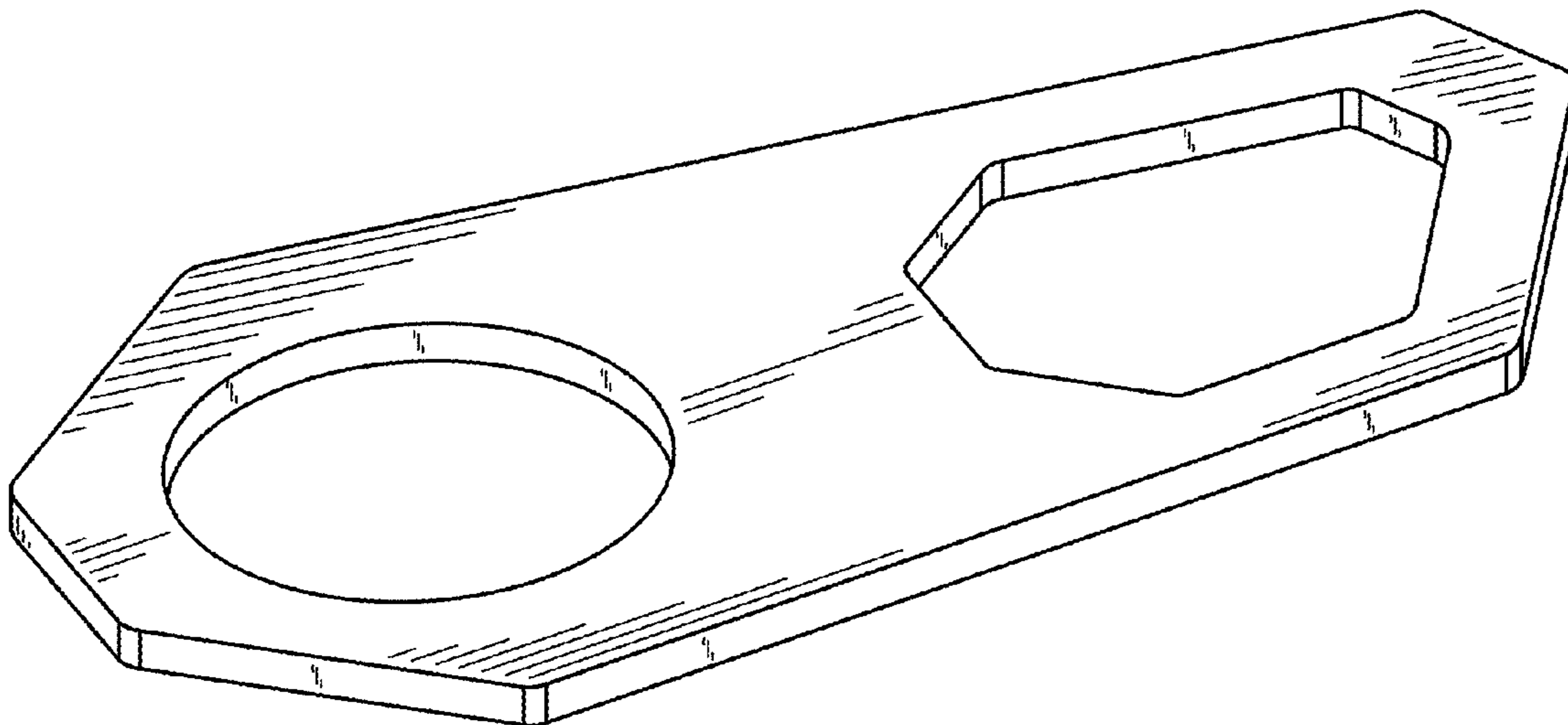
(57) **CLAIM**

The ornamental design for an anchor point for an air tool, as shown and described.

**DESCRIPTION**

FIG. 1 is a perspective view of an anchor point for an air tool showing our new design;  
FIG. 2 is a front elevation view thereof;  
FIG. 3 is a rear elevation view thereof;  
FIG. 4 is a left side elevation view thereof;  
FIG. 5 is a right side elevation view thereof;  
FIG. 6 is a top plan view thereof;  
FIG. 7 is a bottom plan view thereof; and,  
FIG. 8 is a perspective view thereof attached to an air tool. The broken lines shown in the figures illustrate structures for illustrative purposes only and form no part of the claimed design.

**1 Claim, 6 Drawing Sheets**



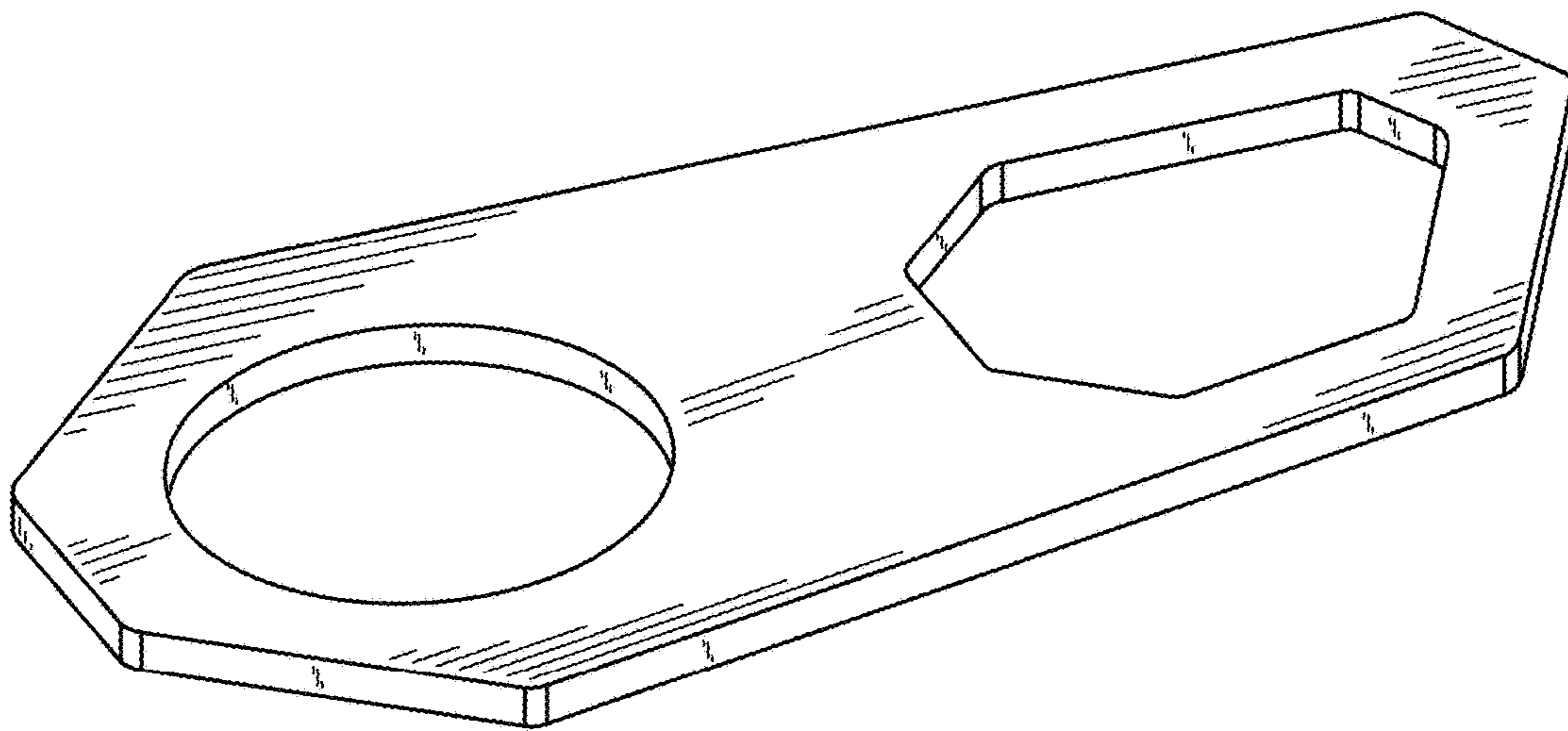


FIG. 1



FIG. 2



FIG. 3



FIG. 4

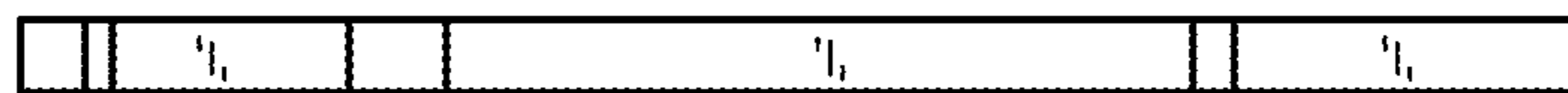


FIG. 5

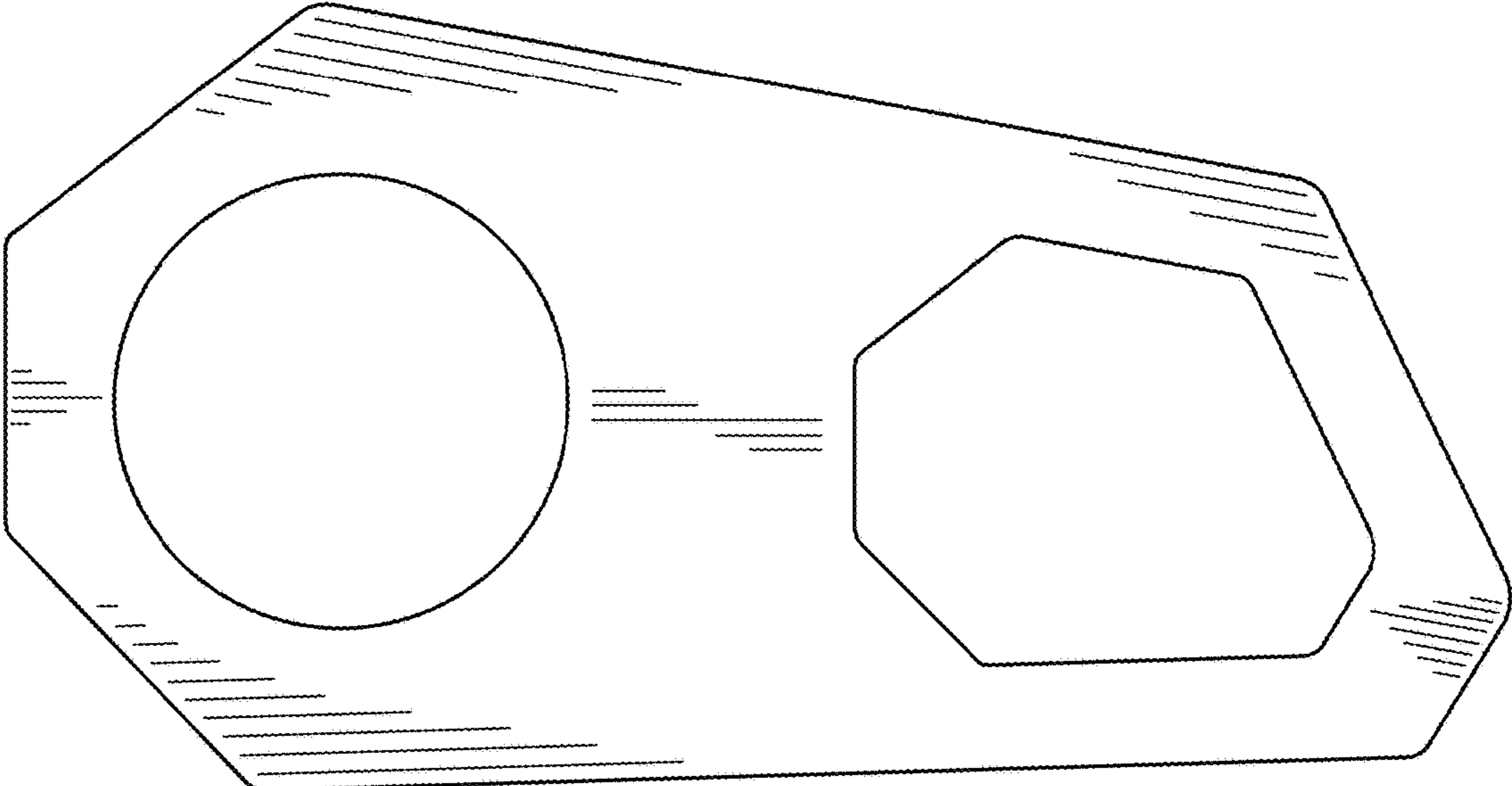


FIG. 6

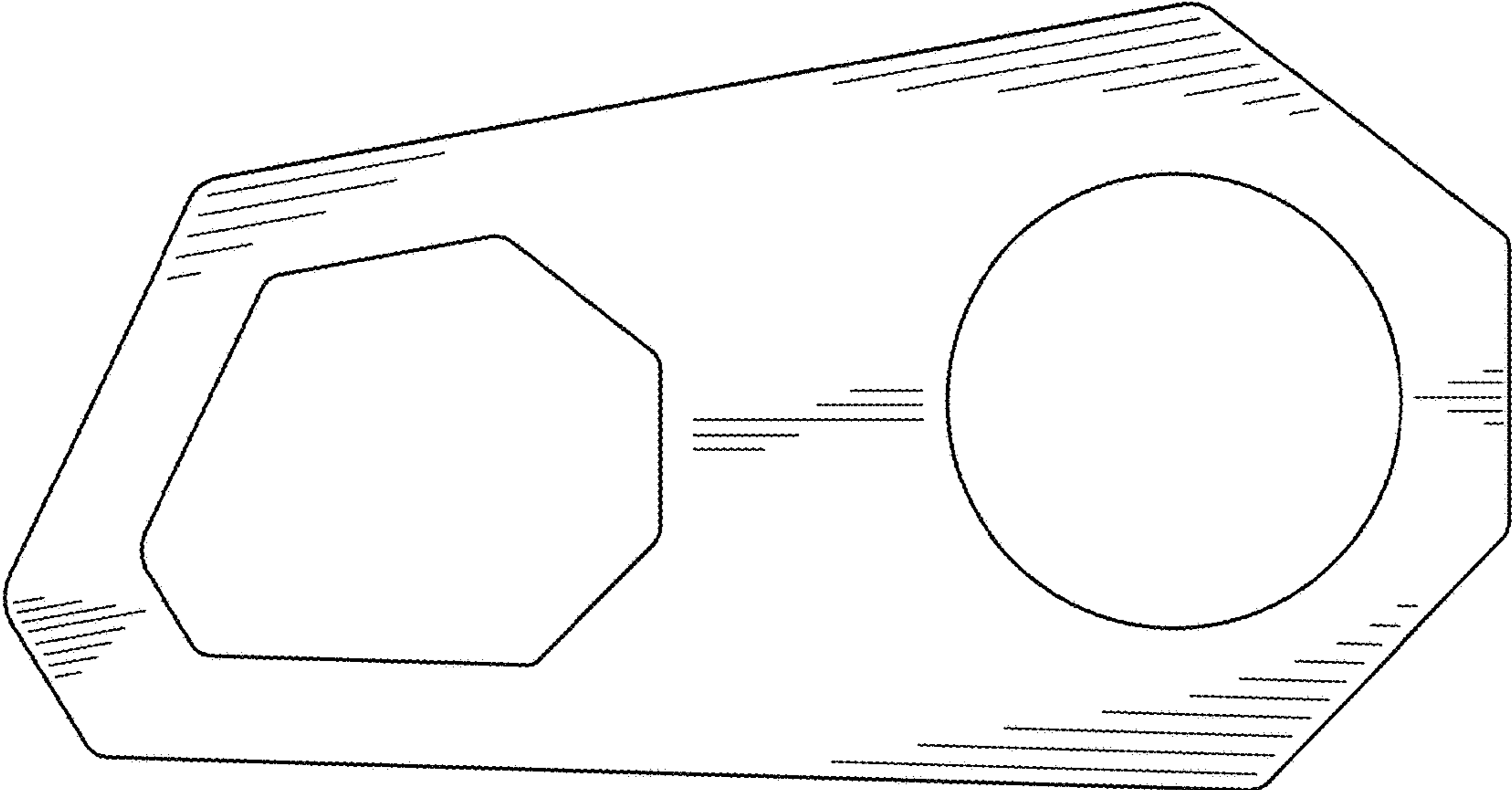


FIG. 7

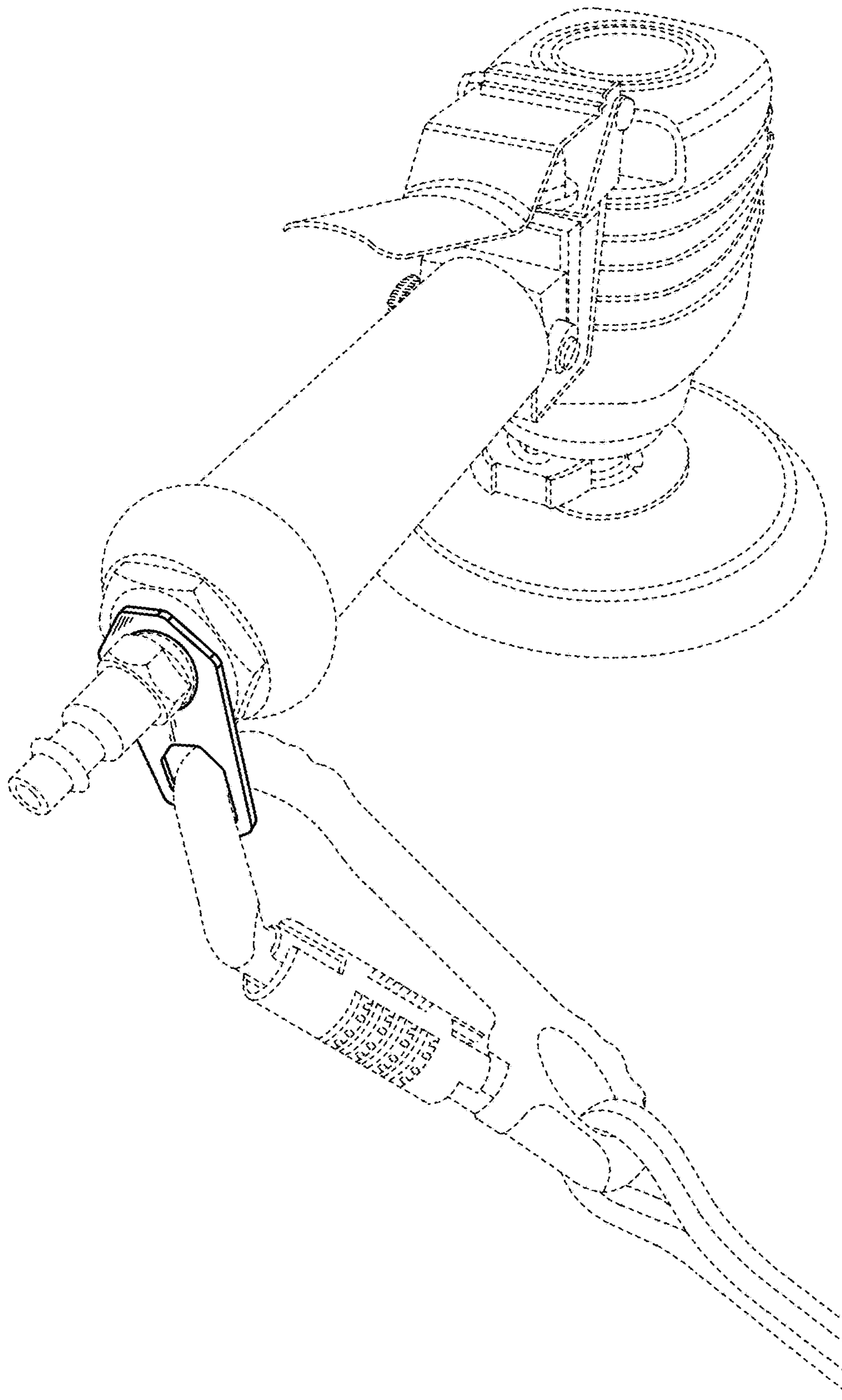


FIG. 8