



US00D835502S

(12) **United States Design Patent**
Cooper

(10) **Patent No.:** **US D835,502 S**

(45) **Date of Patent:** **** *Dec. 11, 2018**

- (54) **FASTENER**
- (71) Applicant: **Avery Dennison Corporation**,
Glendale, CA (US)
- (72) Inventor: **William J. Cooper**, Shrewsbury, MA
(US)
- (73) Assignee: **Avery Dennison Corporation**,
Glendale, CA (US)
- (*) Notice: This patent is subject to a terminal disclaimer.
- (**) Term: **15 Years**
- (21) Appl. No.: **29/589,706**

4,534,464	A *	8/1985	Lankton	G09F 3/14 206/343
D281,860	S *	12/1985	Nadherny	D8/382
4,633,605	A *	1/1987	Kang	G09F 3/12 206/343
5,038,931	A *	8/1991	Kunreuther	B65C 7/005 206/346
5,321,872	A *	6/1994	Merser	G09F 3/037 206/338
5,339,954	A *	8/1994	Kunreuther	B65C 7/003 206/343
5,373,656	A *	12/1994	Merser	G09F 3/14 206/807
6,047,823	A *	4/2000	Deschenes	G09F 3/12 206/338
6,062,384	A *	5/2000	Ueno	B65C 7/005 206/346
6,173,836	B1 *	1/2001	Cooper	G09F 3/14 206/346

(Continued)

- (22) Filed: **Jan. 4, 2017**
- (51) **LOC (11) Cl.** **08-08**
- (52) **U.S. Cl.**
USPC **D8/382**
- (58) **Field of Classification Search**
USPC D8/349, 382, 383, 388, 499; D20/10, 22,
D20/40, 42, 43, 44, 99; D9/434, 435,
D9/452, 455, 499
CPC B65C 5/00; B65C 5/06; B65C 7/00; B65C
7/001; G09F 3/12; G09F 3/14; G09F
3/08; Y10T 24/31; Y10T 24/24
See application file for complete search history.

FOREIGN PATENT DOCUMENTS

EP	0022622120001	7/2013
EP	0022622120002	7/2013

Primary Examiner — Sandra S Snapp
Assistant Examiner — Ieisha N Price
 (74) *Attorney, Agent, or Firm* — Avery Dennison Corporation

(57) **CLAIM**

The ornamental design for a fastener, as shown and described.

(56) **References Cited**

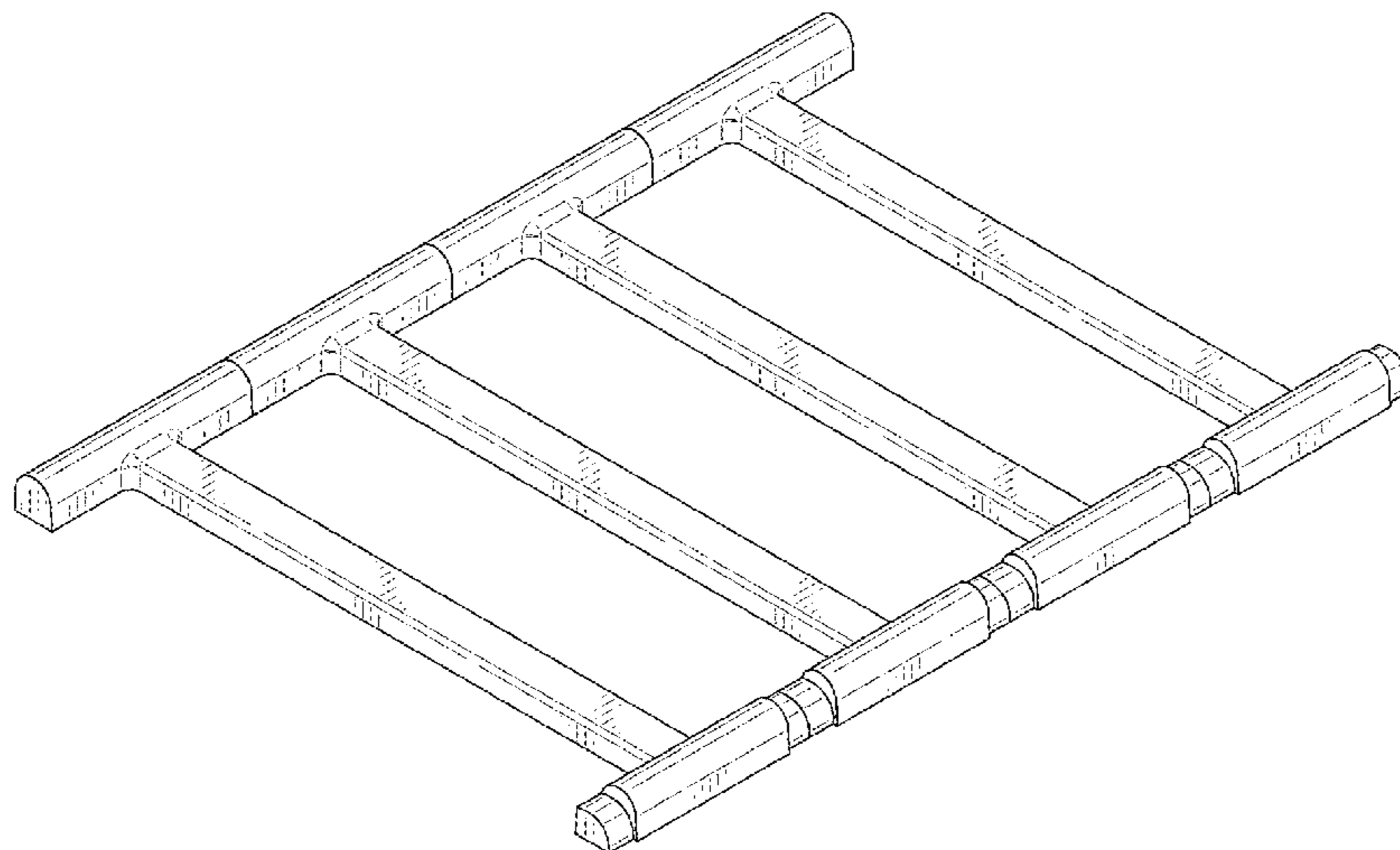
U.S. PATENT DOCUMENTS

3,977,050	A *	8/1976	Perez	B29C 45/00 206/346
4,229,930	A *	10/1980	Ostermaier	A01K 13/006 24/114.7
4,288,017	A *	9/1981	Russell	A41H 37/008 226/127
4,408,979	A *	10/1983	Russell	G09F 3/14 28/244

DESCRIPTION

FIG. 1 is an isometric view of the new fastener;
 FIG. 2 is a front view of the new fastener;
 FIG. 3 is a rear view of the new fastener;
 FIG. 4 is a left side view of the new fastener;
 FIG. 5 is a right side view of the new fastener;
 FIG. 6 is a top view of the new fastener; and,
 FIG. 7 is a bottom view of the new fastener.

1 Claim, 3 Drawing Sheets



(56)

References Cited

U.S. PATENT DOCUMENTS

D463,733	S *	10/2002	Cooper	D8/382
6,564,939	B1 *	5/2003	Deschenes	B65C 7/00
					206/343
6,569,369	B2 *	5/2003	Shilale	B29C 43/222
					264/145
D738,712	S *	9/2015	Cooper	D8/382
2010/0242320	A1 *	9/2010	Huang	G09F 3/14
					40/316
2011/0072695	A1 *	3/2011	Huang	G09F 3/14
					40/316
2012/0159769	A1 *	6/2012	Cooper	G09F 3/14
					29/525.01
2016/0039555	A1 *	2/2016	Shilale	B65C 7/003
					29/525.01

* cited by examiner

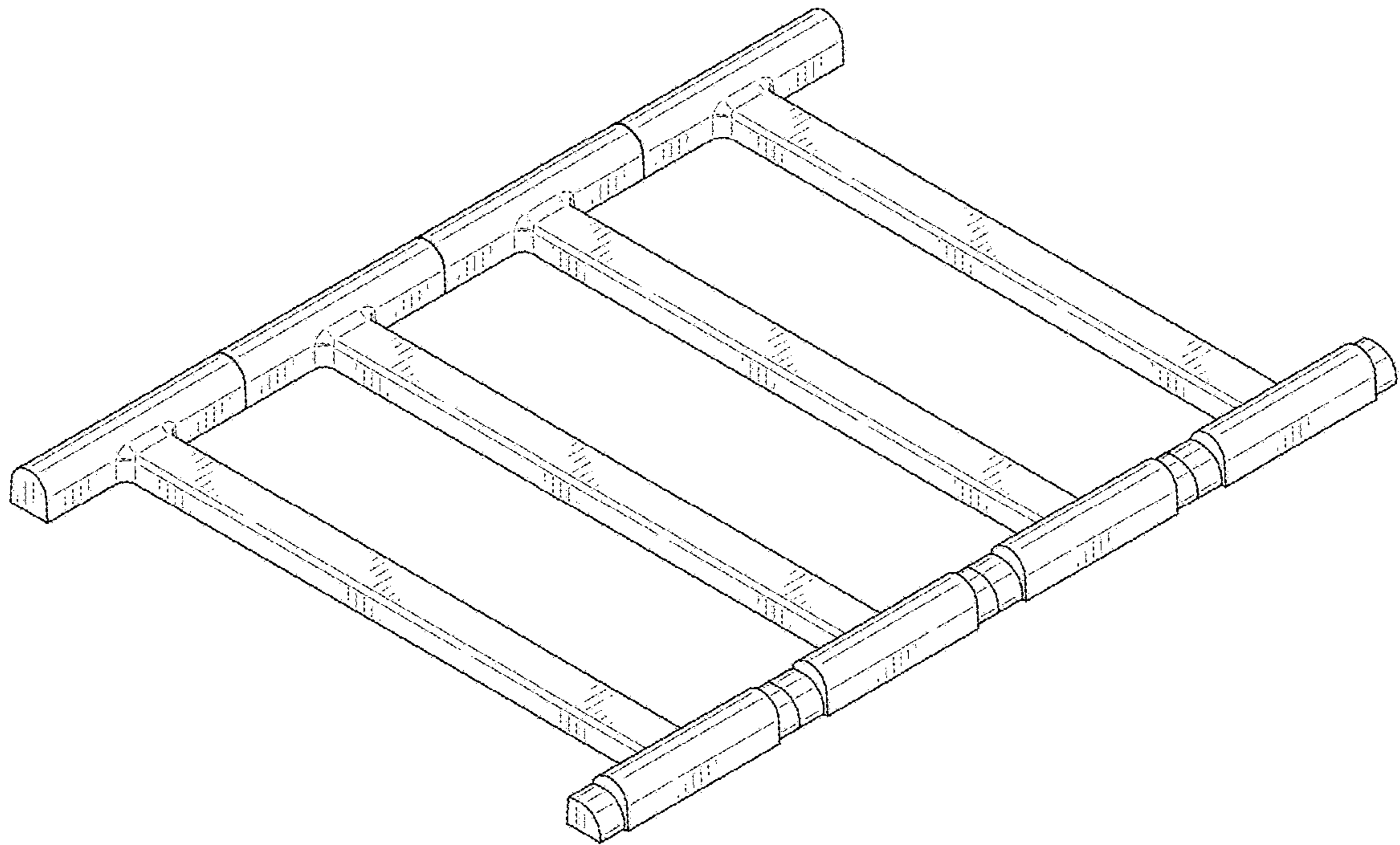


FIG. 1



FIG. 2

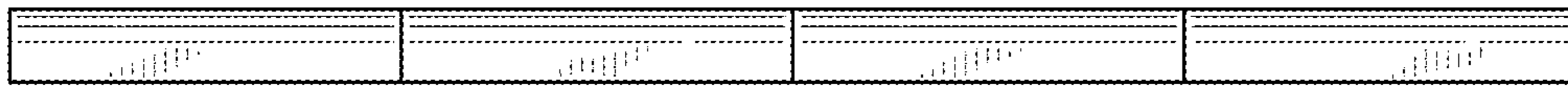


FIG. 3



FIG. 4



FIG. 5

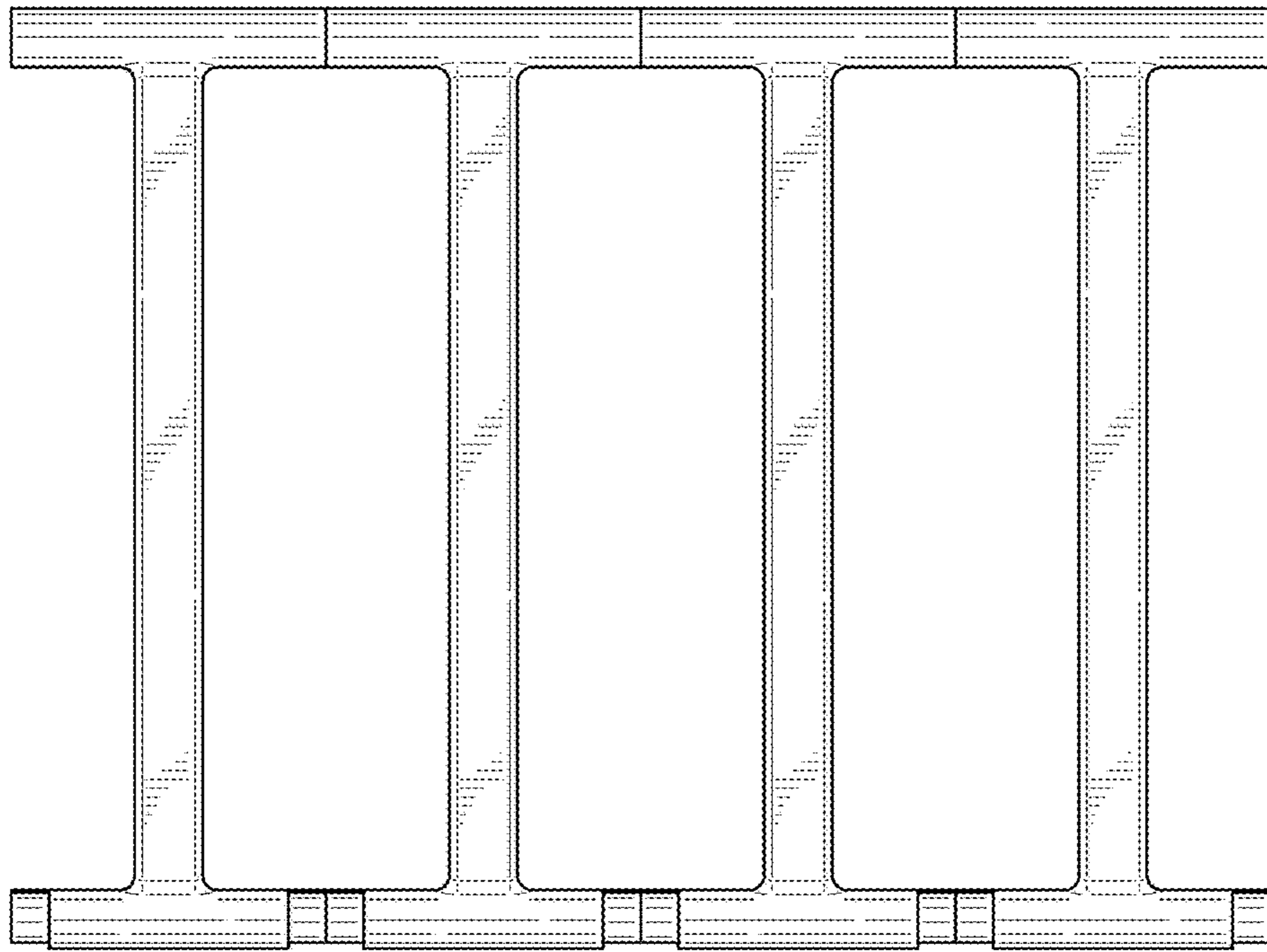


FIG. 6

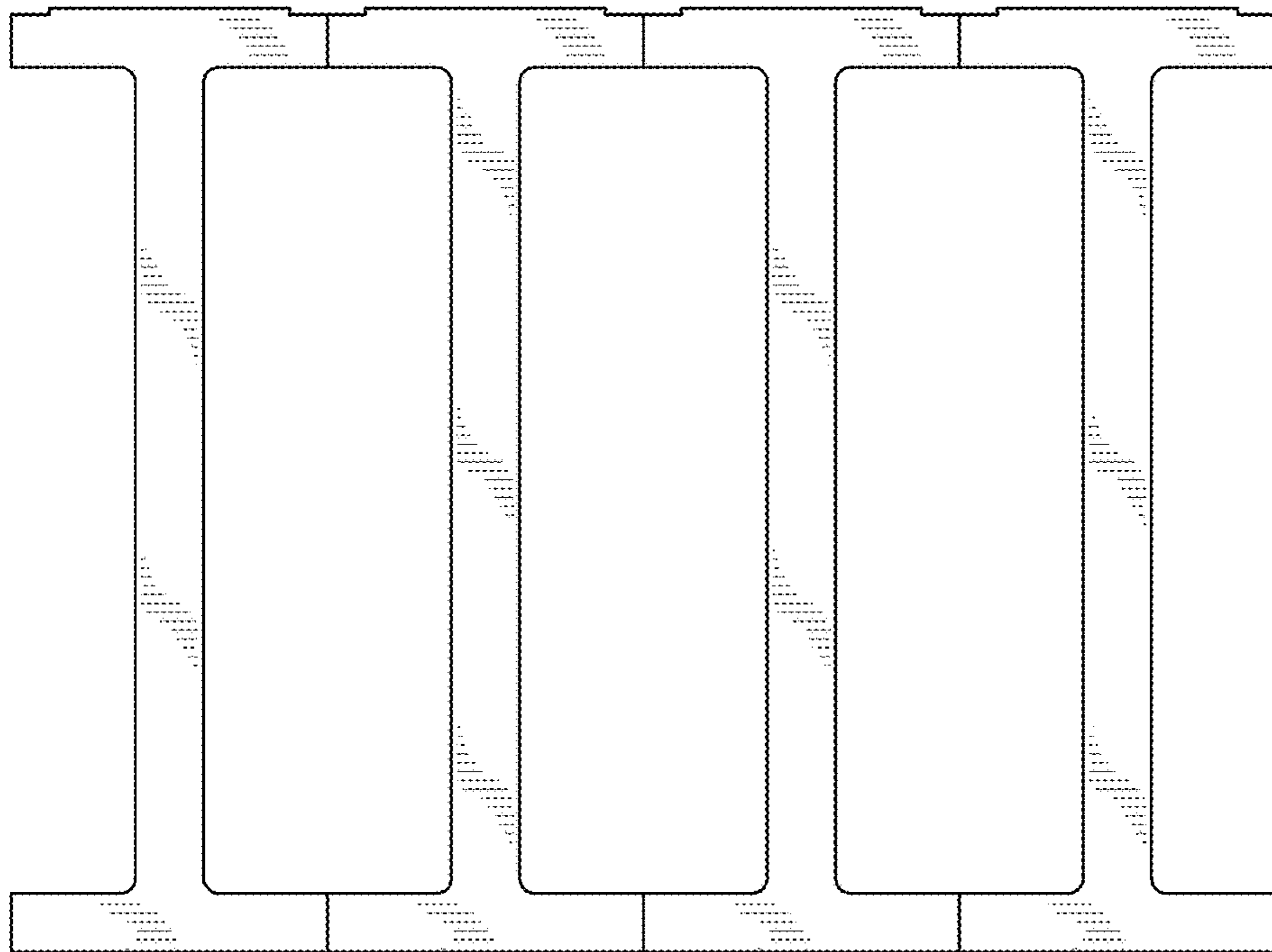


FIG. 7