



US00D835500S

(12) **United States Design Patent** (10) **Patent No.:** **US D835,500 S**  
**Cooper** (45) **Date of Patent:** **\*\* \*Dec. 11, 2018**

- (54) **FASTENER** 4,534,464 A \* 8/1985 Lankton ..... G09F 3/14  
206/343
- (71) Applicant: **Avery Dennison Corporation,** D281,860 S \* 12/1985 Nadherny ..... D8/382  
Glendale, CA (US) 4,633,605 A \* 1/1987 Kang ..... G09F 3/12  
206/343
- (72) Inventor: **William J. Cooper,** Shrewsbury, MA 5,038,931 A \* 8/1991 Kunreuther ..... B65C 7/005  
(US) 206/346
- (73) Assignee: **Avery Dennison Corporation,** 5,321,872 A \* 6/1994 Merser ..... G09F 3/037  
Glendale, CA (US) 206/338
- (\*) Notice: This patent is subject to a terminal dis- 5,339,954 A \* 8/1994 Kunreuther ..... B65C 7/003  
claimer. 206/343
- (\*\*) Term: **15 Years** 5,373,656 A \* 12/1994 Merser ..... G09F 3/14  
206/807
- (21) Appl. No.: **29/589,697** 6,047,823 A \* 4/2000 Deschenes ..... G09F 3/12  
206/338
- (22) Filed: **Jan. 4, 2017** 6,062,384 A \* 5/2000 Ueno ..... B65C 7/005  
206/346
- (51) **LOC (11) Cl.** ..... **08-08** 6,173,836 B1 \* 1/2001 Cooper ..... G09F 3/14  
206/346
- (52) **U.S. Cl.** ..... **D8/382**
- (58) **Field of Classification Search**

USPC .... D8/349, 382, 383, 388, 499; D20/10, 22,  
D20/40, 42, 43, 44, 99; D9/434, 435,  
D9/452, 455, 499  
CPC .... B65C 5/00; B65C 5/06; B65C 7/00; B65C  
7/001; G09F 3/12; G09F 3/14; G09F  
3/08; Y10T 24/31; Y10T 24/24  
See application file for complete search history.

(56) **References Cited**

U.S. PATENT DOCUMENTS

- 3,977,050 A \* 8/1976 Perez ..... B29C 45/00  
206/346
- 4,229,930 A \* 10/1980 Ostermaier ..... A01K 13/006  
24/114.7
- 4,288,017 A \* 9/1981 Russell ..... A41H 37/008  
226/127
- 4,408,979 A \* 10/1983 Russell ..... G09F 3/14  
28/244

(Continued)

FOREIGN PATENT DOCUMENTS

- EP 0022622120001 7/2013
- EP 0022622120002 7/2013

*Primary Examiner* — Sandra S Snapp  
*Assistant Examiner* — Ieisha N Price  
(74) *Attorney, Agent, or Firm* — Avery Dennison  
Corporation

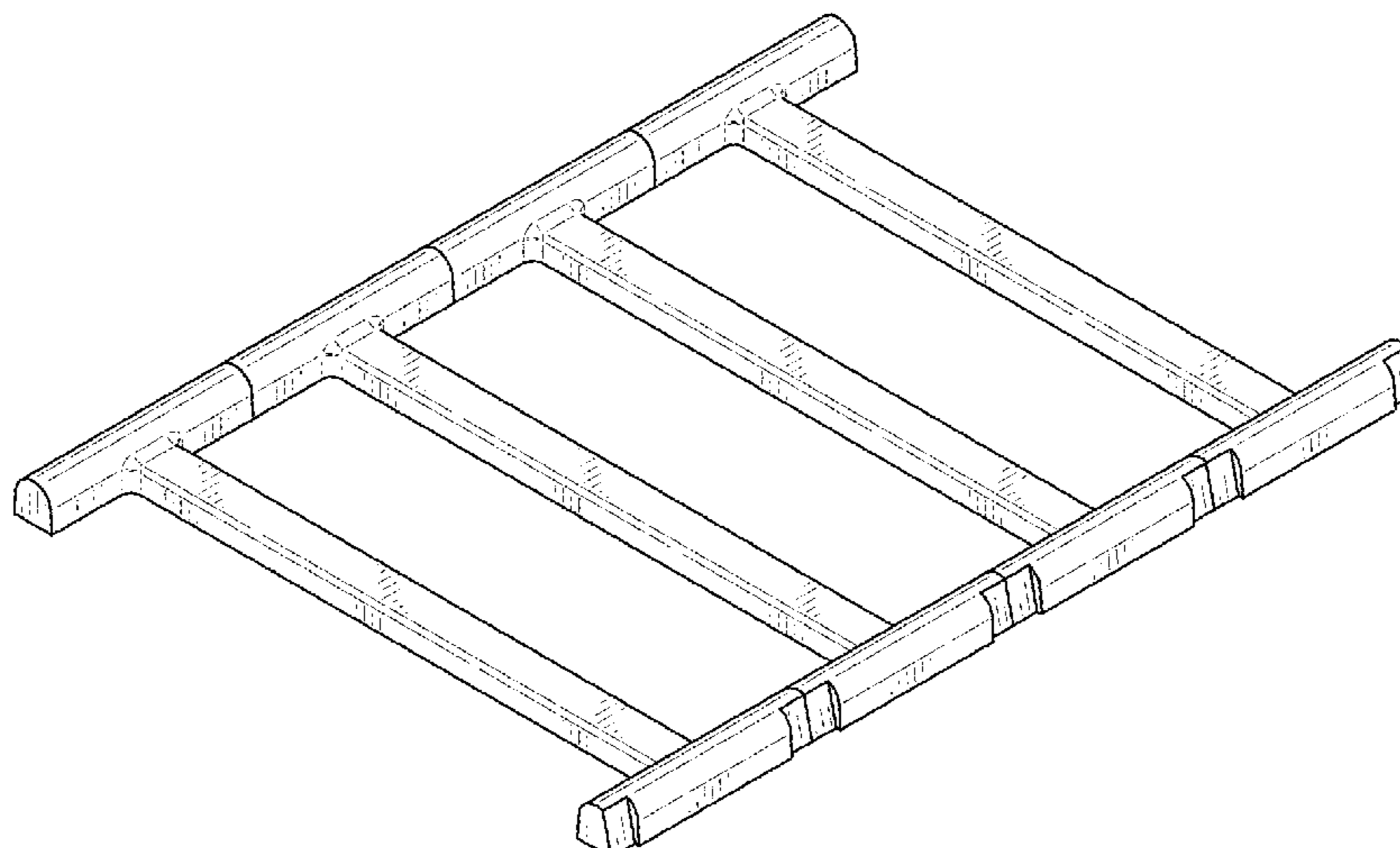
(57) **CLAIM**

The ornamental design for a fastener, as shown and described.

**DESCRIPTION**

FIG. 1 is an isometric view of the new fastener;  
FIG. 2 is a front view of the new fastener;  
FIG. 3 is a rear view of the new fastener;  
FIG. 4 is a left side view of the new fastener;  
FIG. 5 is a ride side view of the new fastener;  
FIG. 6 is a top view of the new fastener; and,  
FIG. 7 is a bottom view of the new fastener.

**1 Claim, 3 Drawing Sheets**



(56)

**References Cited**

U.S. PATENT DOCUMENTS

D463,733	S *	10/2002	Cooper	.....	D8/382
6,564,939	B1 *	5/2003	Deschenes	.....	B65C 7/00
					206/343
6,569,369	B2 *	5/2003	Shilale	.....	B29C 43/222
					264/145
D738,712	S *	9/2015	Cooper	.....	D8/382
2010/0242320	A1 *	9/2010	Huang	.....	G09F 3/14
					40/316
2011/0072695	A1 *	3/2011	Huang	.....	G09F 3/14
					40/316
2012/0159769	A1 *	6/2012	Cooper	.....	G09F 3/14
					29/525.01
2016/0039555	A1 *	2/2016	Shilale	.....	B65C 7/003
					29/525.01

\* cited by examiner

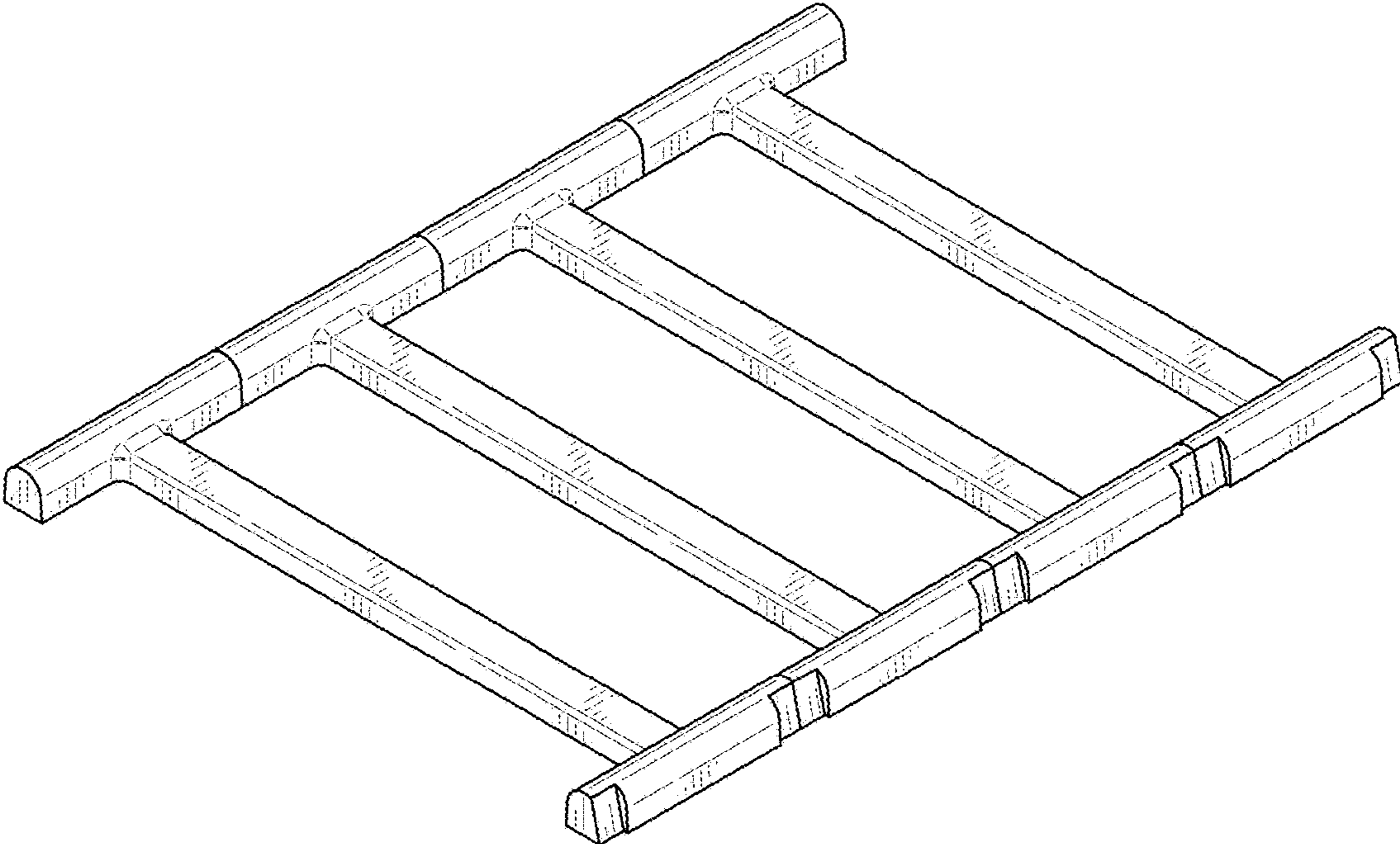


FIG. 1



FIG. 2



FIG. 3

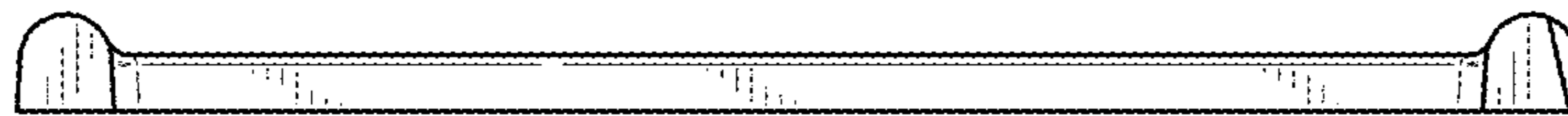


FIG. 4



FIG. 5

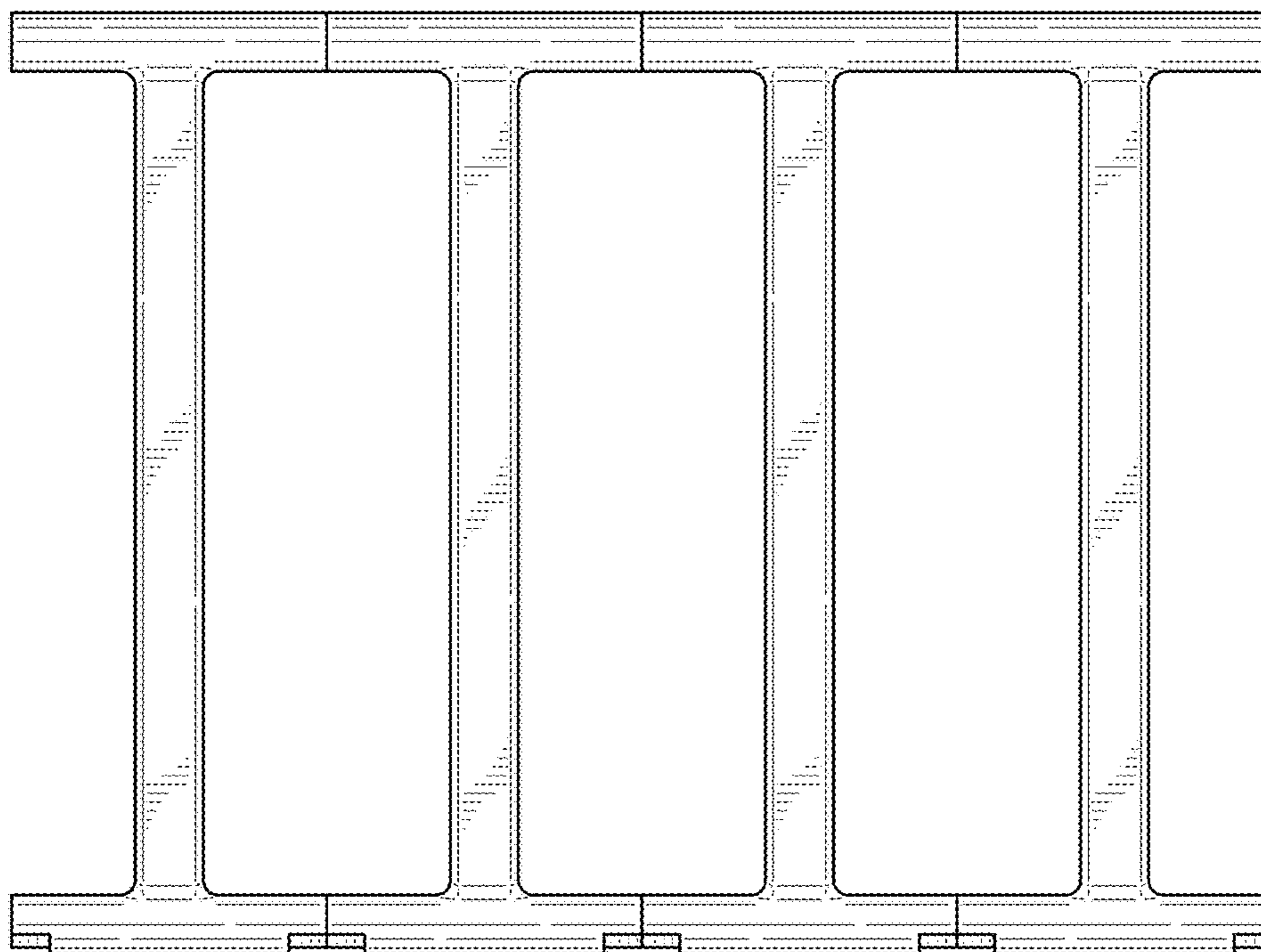


FIG. 6

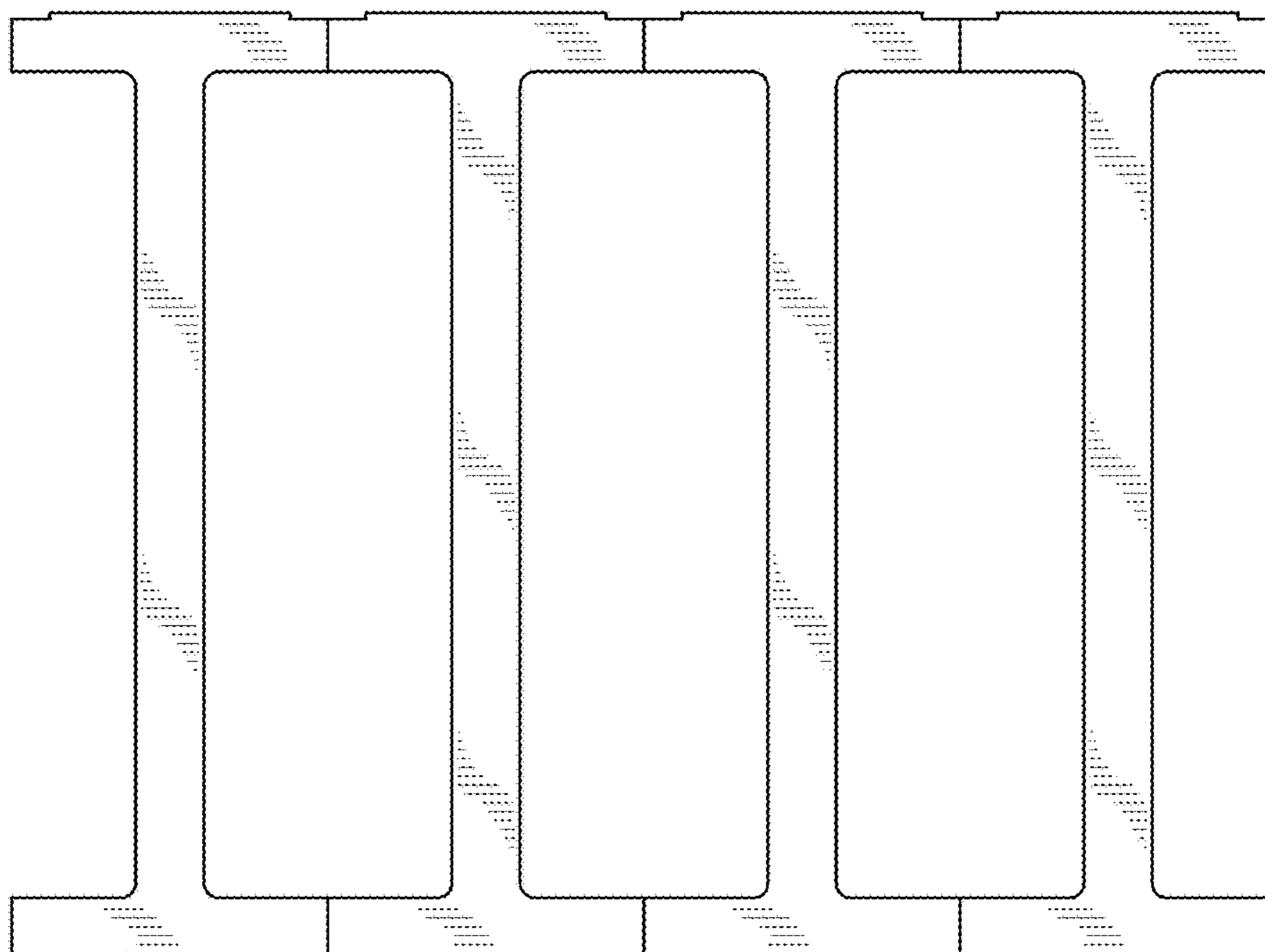


FIG. 7