



US00D835499S

(12) **United States Design Patent** (10) **Patent No.:** **US D835,499 S**
Schroeder et al. (45) **Date of Patent:** **** Dec. 11, 2018**

(54) **EQUIPMENT MOUNTING PLATE**
(71) Applicant: **Ferno-Washington, Inc.**, Wilmington, OH (US)
(72) Inventors: **Timothy Paul Schroeder**, Mason, OH (US); **James C. West, III**, Midland, OH (US); **Peter Smolan**, Trencin (SK)
(73) Assignee: **Ferno-Washington, Inc.**, Wilmington, OH (US)
(**) Term: **15 Years**
(21) Appl. No.: **29/630,337**
(22) Filed: **Dec. 20, 2017**

1,263,918 A 4/1918 Miller
1,288,010 A 12/1918 Isaac
1,576,034 A 3/1926 Butt
1,702,937 A 2/1929 Friedemann
1,817,962 A 8/1931 Breuer
2,391,051 A 12/1945 Windsor
2,456,024 A 12/1948 Schofield
2,473,364 A 6/1949 Dickinson et al.
(Continued)

FOREIGN PATENT DOCUMENTS

CH 432266 A 3/1967
DE 2000967 B1 7/1971
(Continued)

OTHER PUBLICATIONS

International Search Report and Written Opinion pertaining to PCT/2014/012492 dated Apr. 3, 2014.
(Continued)

Primary Examiner — Lakiya G Rogers
Assistant Examiner — Harold E Blackwell, II
(74) *Attorney, Agent, or Firm* — Dinsmore & Shohl, LLP

Related U.S. Application Data

(63) Continuation of application No. 14/455,471, filed on Aug. 8, 2014, now Pat. No. 9,944,217, which is a continuation-in-part of application No. PCT/US2014/015898, filed on Feb. 11, 2014.
(51) **LOC (11) Cl.** **08-05**
(52) **U.S. Cl.**
USPC **D8/381**
(58) **Field of Classification Search**
USPC 211/125, 187, 90.02, 90.03, 90.04;
D8/354, 373, 381
CPC A47B 57/42; A47B 96/067
See application file for complete search history.

(57) **CLAIM**

The ornamental design of the equipment mounting plate, as shown and described.

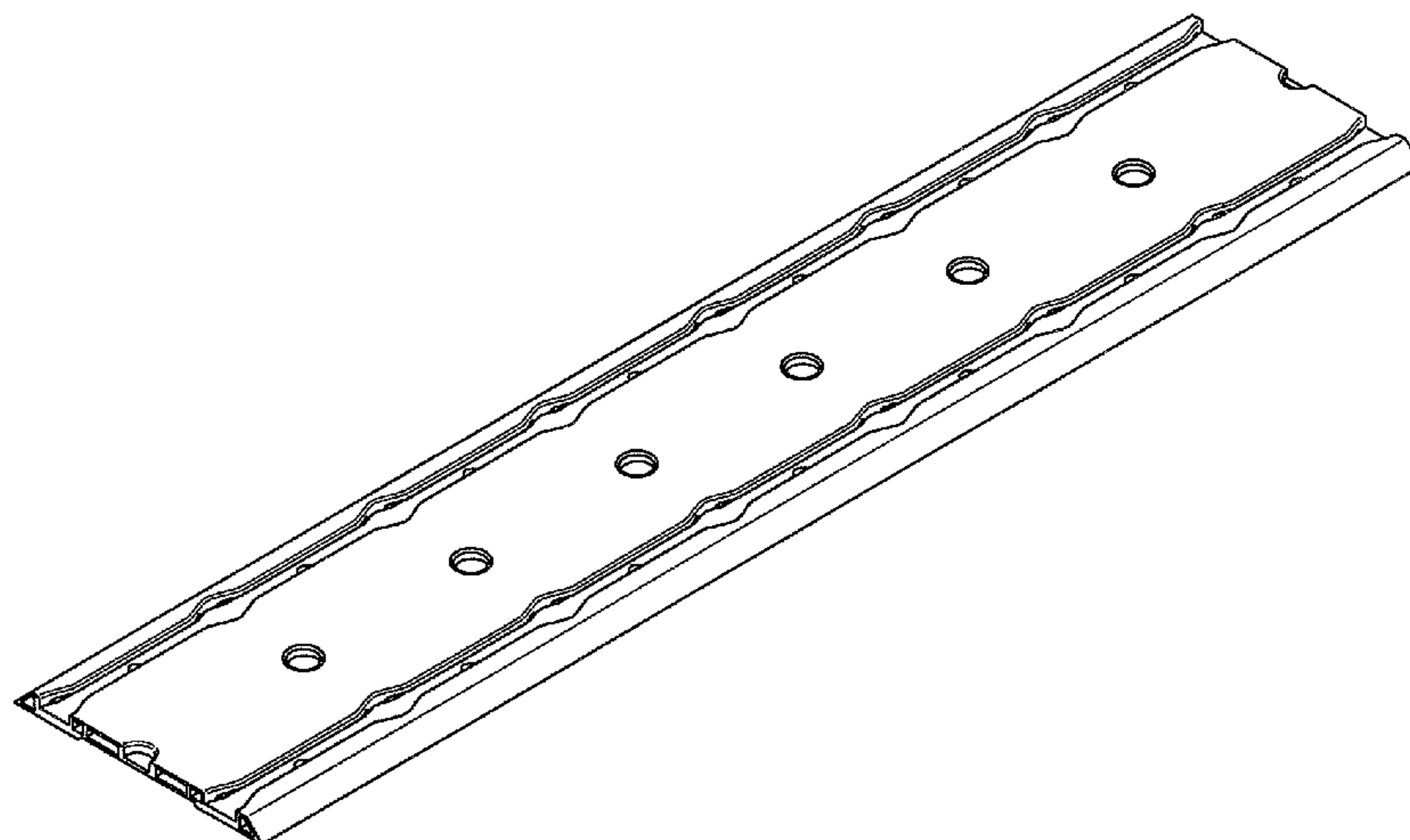
DESCRIPTION

FIG. 1 is a top perspective view of an embodiment of an equipment mounting plate illustrating our new design; FIG. 2 is a top side view thereof; FIG. 3 is a bottom side view thereof; FIG. 4 is a side view and the opposite side being the same; and, FIG. 5 is an enlarged front side view and the back side view being the same.

1 Claim, 5 Drawing Sheets

(56) **References Cited**
U.S. PATENT DOCUMENTS

269,985 A 1/1883 Joseph
619,174 A 2/1899 Harry, II
716,852 A 12/1902 Baker
1,055,050 A * 3/1913 Knappe A47B 57/42
16/440
1,055,201 A * 3/1913 Mason A47B 57/567
248/222.13
1,178,360 A 4/1916 Tudor



(56)

References Cited

U.S. PATENT DOCUMENTS

2,480,322 A 8/1949 Cozzoli
 2,556,076 A 6/1951 Evans et al.
 2,644,591 A 7/1953 McMahan
 2,685,912 A 8/1954 Evans et al.
 2,688,504 A 9/1954 Parker
 3,042,221 A 7/1962 Rasmussen
 3,204,998 A 9/1965 Stollenwerk
 3,358,300 A 12/1967 Smith
 3,375,936 A 4/1968 Kessler
 3,392,848 A 7/1968 McConnell et al.
 3,591,121 A 7/1971 Parris
 3,605,637 A 9/1971 Prete, Jr.
 3,606,619 A 9/1971 Stollenwerk
 3,613,900 A 10/1971 Chiu
 3,718,886 A 2/1973 Hoffmeister
 3,770,234 A 11/1973 Fovall
 3,840,265 A 10/1974 Stirling et al.
 3,846,944 A 11/1974 Lambert
 D235,181 S * 5/1975 Brown D8/381
 3,973,818 A 8/1976 Soquenne
 4,114,947 A 9/1978 Nelson
 4,170,335 A 10/1979 King
 4,173,382 A 11/1979 Booty
 4,178,032 A 12/1979 Hone
 4,190,377 A * 2/1980 Pleuss F16B 7/105
 403/108
 4,210,355 A 7/1980 Legueu
 D257,195 S * 10/1980 Swett D6/570
 4,230,432 A 10/1980 Howell
 D257,709 S * 12/1980 Lewis D6/570
 4,256,424 A 3/1981 Knox et al.
 D259,080 S * 5/1981 Conti D8/381
 4,397,432 A 8/1983 Resetar
 4,423,817 A 1/1984 Monjo-Rufi
 4,425,978 A 1/1984 Star
 4,458,864 A 7/1984 Colombo et al.
 4,568,050 A 2/1986 Radoy et al.
 4,576,319 A 3/1986 Brown
 4,602,756 A 7/1986 Chatfield
 4,677,794 A 7/1987 Parron et al.
 4,763,360 A 8/1988 Daniels et al.
 4,783,034 A 11/1988 Ostrander et al.
 4,853,555 A 8/1989 Wheat
 4,915,435 A 4/1990 Levine
 4,974,377 A 12/1990 Dominitz et al.
 5,007,608 A 4/1991 Carroll, Jr.
 5,157,409 A 10/1992 Hamin
 5,383,629 A 1/1995 Morgan
 5,425,520 A 6/1995 Masumoto
 5,490,703 A 2/1996 Hewko
 5,615,848 A 4/1997 Ceriani
 5,732,965 A 3/1998 Willey
 5,738,306 A 4/1998 Moss et al.
 5,755,478 A 5/1998 Kamiya et al.
 5,779,296 A 7/1998 Hewko
 5,785,277 A 7/1998 Manning et al.
 5,815,629 A 9/1998 Finzel et al.
 5,850,891 A 12/1998 Olms et al.
 5,886,674 A 3/1999 Yoshimi
 5,988,409 A 11/1999 Gusdorf et al.
 6,157,350 A 12/2000 House et al.
 6,241,109 B1 6/2001 Kautz et al.
 6,273,366 B1 8/2001 Sprenger et al.
 6,585,188 B2 7/2003 Alli
 6,595,379 B1 7/2003 Powell
 6,618,018 B1 9/2003 Sylvester et al.
 6,746,138 B1 6/2004 Neeld et al.
 6,762,727 B2 7/2004 Rochford et al.
 6,945,414 B1 9/2005 Stevens et al.
 7,048,242 B2 5/2006 Oddsen, Jr.
 7,097,204 B2 8/2006 Jessup et al.
 7,328,926 B1 2/2008 Myers et al.
 7,502,226 B2 3/2009 Searby et al.
 7,507,005 B1 3/2009 Mier-Langner
 7,654,834 B1 2/2010 Mier-Langner et al.

7,669,945 B2 3/2010 Blersch et al.
 7,677,400 B2 3/2010 Bayazit et al.
 7,946,771 B2 5/2011 Boneschanscher et al.
 7,984,889 B2 7/2011 Whitley et al.
 8,636,154 B2 1/2014 Chinn
 8,992,238 B2 3/2015 Chinn
 9,379,504 B2 6/2016 Chinn
 9,611,975 B2 4/2017 Chinn et al.
 2003/0143052 A1 7/2003 Fehrle et al.
 2004/0178309 A1 9/2004 Crowley et al.
 2004/0253856 A1 12/2004 Hoffmann
 2006/0243766 A1 11/2006 Lan
 2006/0255221 A1 11/2006 Tseng
 2007/0056921 A1 3/2007 Lo
 2007/0097617 A1 5/2007 Searby et al.
 2008/0023976 A1 1/2008 Myers et al.
 2008/0302553 A1 12/2008 Ross et al.
 2009/0014584 A1 1/2009 Rudduck et al.
 2009/0014602 A1 1/2009 Frost
 2009/0140112 A1 6/2009 Carnevali
 2010/0307649 A1 12/2010 Santos Dominguez
 2012/0006873 A1 1/2012 Chinn
 2012/0126075 A1 5/2012 Chinn et al.
 2013/0081233 A1 4/2013 Lu
 2013/0193179 A1 8/2013 Davidson
 2014/0016503 A1 1/2014 Altekar et al.
 2014/0226315 A1 8/2014 Nicieja et al.
 2014/0227892 A1 8/2014 Chinn
 2018/0073676 A1 * 3/2018 Schroeder F16M 13/02

FOREIGN PATENT DOCUMENTS

DE 3209092 A1 9/1983
 DE 3230905 A1 2/1984
 DE 3209091 C2 8/1986
 DE 8910460 U1 12/1989
 DE 19716046 A1 10/1998
 DE 202006020143 U1 1/2008
 DE 102009039471 A1 3/2011
 DE 102010024544 A1 12/2011
 EP 105675 A3 5/1985
 EP 260726 B1 1/1993
 EP 583492 B1 11/1998
 EP 972616 B1 12/2003
 EP 1790521 B1 8/2009
 EP 1863119 B1 1/2011
 EP 2206623 B1 11/2011
 EP 2451418 B1 5/2013
 EP 2614804 B1 9/2015
 EP 2614805 B1 12/2015
 FR 1085340 A 1/1955
 FR 2481110 B1 12/1983
 FR 2649007 B3 9/1991
 FR 2647323 B1 5/1994
 GB 1530794 A 11/1978
 GB 2401541 B 9/2005
 GB 2452083 A 2/2009
 WO 9115178 A1 10/1991
 WO 9927881 A1 6/1999
 WO D187665 A1 11/2001
 WO 2006122351 A1 11/2006
 WO 2011006163 A3 1/2013

OTHER PUBLICATIONS

Extended European Search Report from EP Application No. 13163007.1 dated Jun. 11, 2013.
 Extended European Search Report from EP Application No. 13163002.2 dated Jun. 11, 2013.
 International Search Report and Written Opinion dated Nov. 3, 2011 pertaining to International Application No. PCT/US2010/041724.
 International Search Report and Written Opinion dated Jun. 27, 2014 pertaining to International Application No. PCT/US2014/015898.
 Office Action pertaining to Russian Application No. 2012101216 dated Jul. 29, 2014.

(56)

References Cited

OTHER PUBLICATIONS

International Preliminary Report on Patentability pertaining to International Application No. PCT/US2010/041724 dated Jan. 19, 2012.

Exam Report pertaining to Australian Application No. 2010271194 dated Nov. 27, 2013.

Office Action pertaining to Chinese Application No. 201080038769.2 dated Jan. 24, 2014.

International Search Report and Written Opinion dated Apr. 16, 2013 pertaining to International Application No. PCT/US2013/026129.

International Preliminary Report on Patentability pertaining to International Application No. PCT/US2013/026129 dated Aug. 28, 2014.

Exam Report pertaining to Australian Application No. 2013203990 dated Aug. 18, 2014.

Preliminary Rejection pertaining to Korean Application No. 10-2012-7003477 dated Jul. 27, 2015.

Exam Report pertaining to Canadian Application No. 2767547 dated Jul. 7, 2015.

Exam Report pertaining to European Patent Application No. 13163007.1 dated Nov. 17, 2014.

Exam Report pertaining to Australian Patent Application No. 2014203593 dated Feb. 20, 2015.

Exam Report pertaining to Australian Patent Application No. 2014203595 dated Jul. 23, 2015.

International Preliminary Report on Patentability pertaining to International Application No. PCT/US2014/012492 dated Aug. 20, 2015.

International Search Report and Written Opinion dated Mar. 3, 2015 pertaining to International Application No. PCT/US2014/050288.

International Search Report and Written Opinion dated Mar. 3, 2015 pertaining to International Application No. PCT/US2014/050306.

International Search Report and Written Opinion dated Sep. 29, 2015 pertaining to International Application No. PCT/US2014/050392.

Office Action dated Dec. 16, 2015, pertaining to Japanese Patent Application No. 2015-020347.

Office Action dated Dec. 22, 2015, pertaining to Chinese Patent Application No. 201410247226.1.

Notice of Allowance dated Jan. 20, 2016, pertaining to U.S. Appl. No. 14/633,797.

Examination Report dated Feb. 5, 2016, pertaining to European Patent Application No. 14703501.8.

Official Action dated Feb. 29, 2016, pertaining to Egyptian Patent Application No. PCT/NA/50/2012.

Examination Report dated Mar. 1, 2016, pertaining to EP Patent Application No. 14/707550.1.

Non-Final Office Action dated Jun. 7, 2017, pertaining to U.S. Appl. No. 15/435,373, filed Feb. 17, 2017.

* cited by examiner

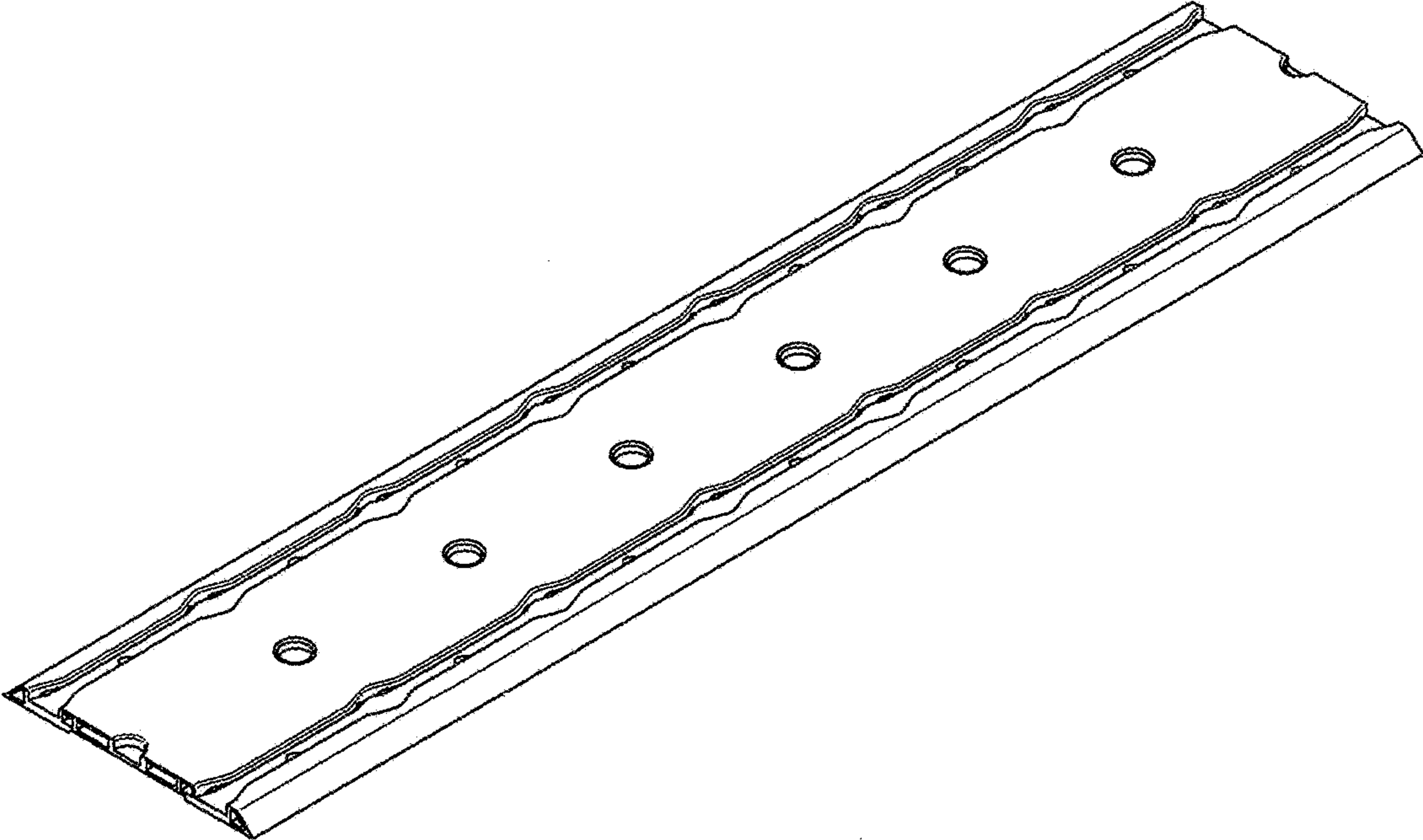


FIG. 1

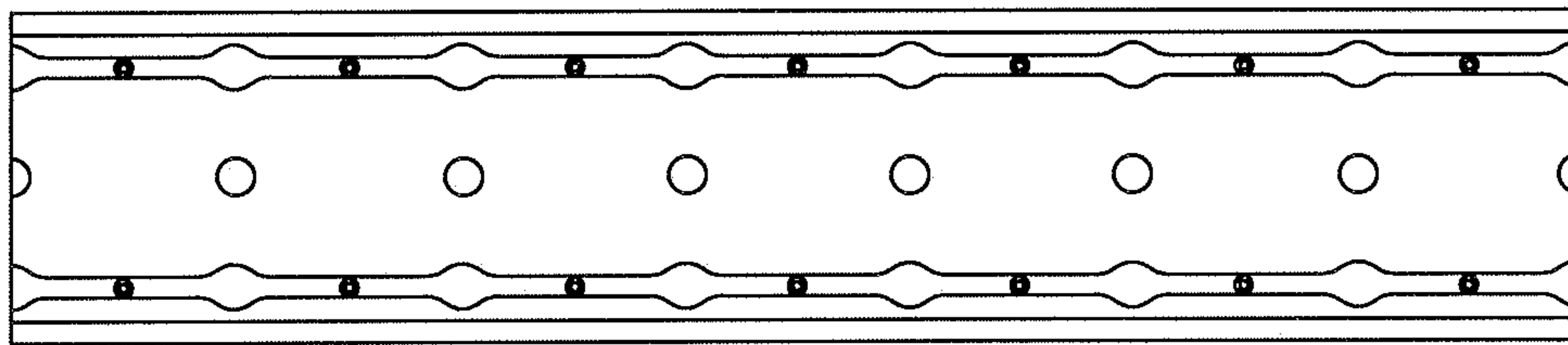


FIG. 2

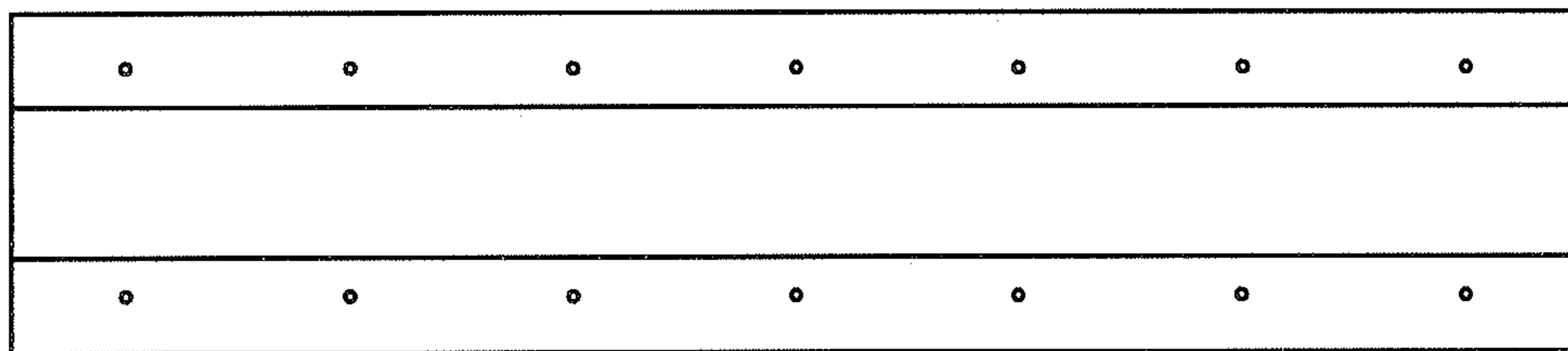


FIG. 3



FIG. 4

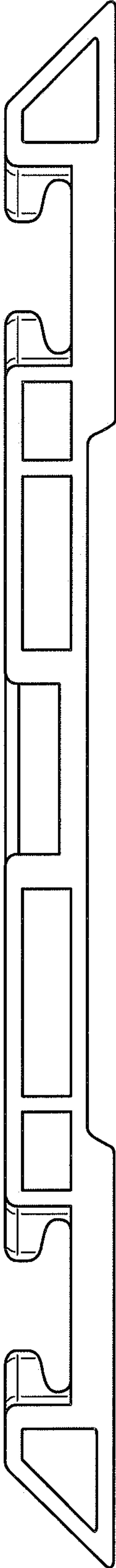


FIG. 5