



US00D835497S

(12) **United States Design Patent** (10) **Patent No.:** **US D835,497 S**
Rindy et al. (45) **Date of Patent:** **** Dec. 11, 2018**

(54) **CABLE MANAGEMENT UNIT**
(71) Applicant: **General Electric Company**,
Schenectady, NY (US)
(72) Inventors: **Ryan Walter Rindy**, Oregon, WI (US);
Janos Gyorgy Lonyay, Monona, WI
(US)
(73) Assignee: **General Electric Company**,
Schenectady, NY (US)
(**) Term: **15 Years**
(21) Appl. No.: **29/627,115**
(22) Filed: **Nov. 22, 2017**
(51) **LOC (11) Cl.** **09-06**
(52) **U.S. Cl.**
USPC **D8/356**
(58) **Field of Classification Search**
USPC D8/356, 354
CPC B65H 57/16; B63B 21/045
See application file for complete search history.

D589,899 S * 4/2009 Huang D13/147
D596,128 S * 7/2009 Hung D13/147
D617,741 S * 6/2010 Fennell D13/154
(Continued)

OTHER PUBLICATIONS

Zhang, W. et al., "An Ornamental Design for a Cable Management System," U.S. Appl. No. 29/627,092, filed Nov. 22, 2017, 17 pages.
(Continued)

Primary Examiner — Cynthia R Underwood
(74) *Attorney, Agent, or Firm* — McCoy Russell LLP

(57) **CLAIM**

The ornamental design for a cable management unit, as shown and described.

DESCRIPTION

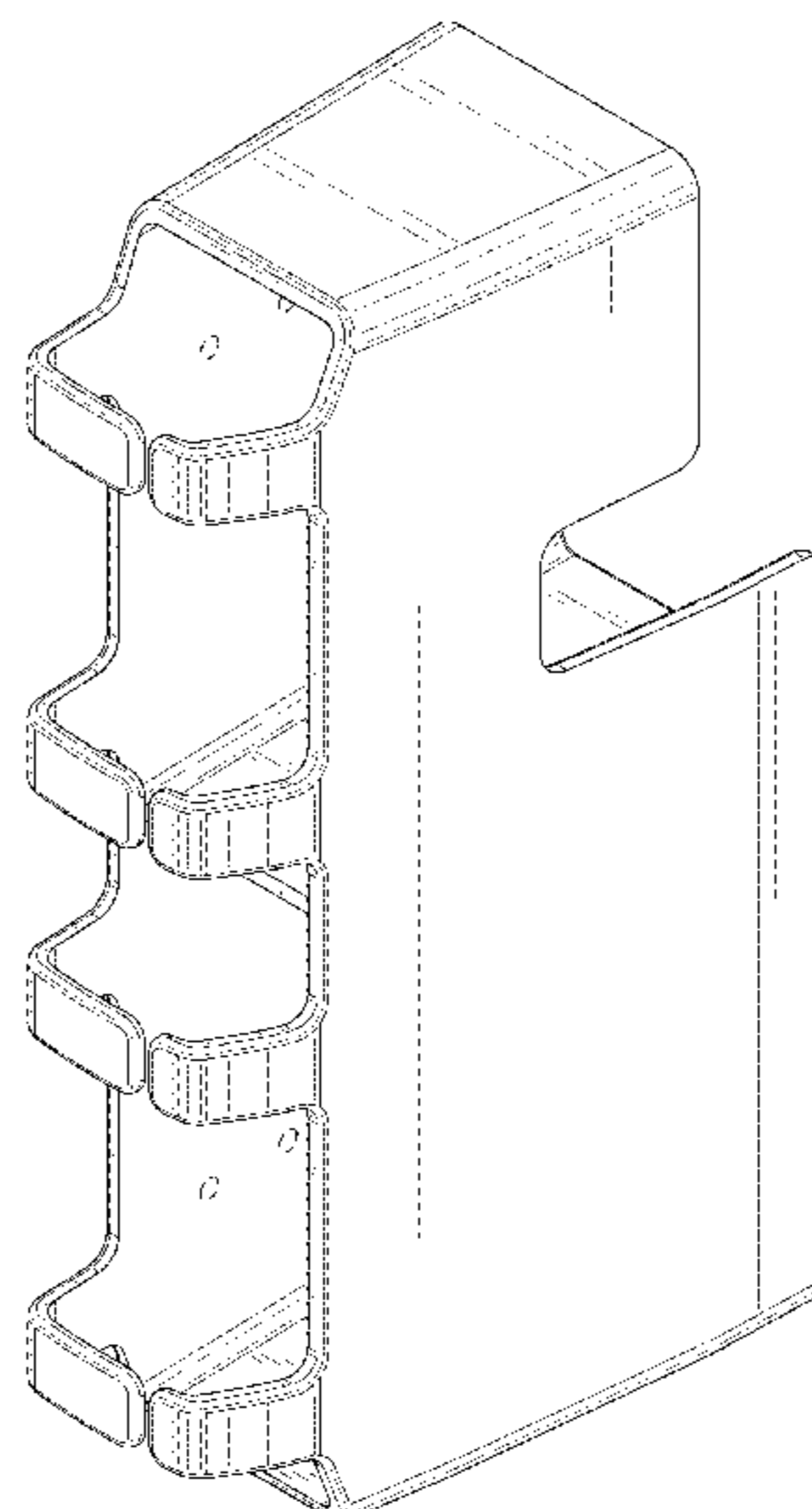
FIG. 1 is a front perspective view of a cable management unit according to the present invention.
FIG. 2 is a back perspective view of the cable management unit FIG. 1.
FIG. 3 is a front view of the cable management unit of FIG. 1.
FIG. 4 is a back view of the cable management unit of FIG. 1.
FIG. 5 is a left side view of the cable management unit of FIG. 1.
FIG. 6 is a right side view of the cable management unit of FIG. 1.
FIG. 7 is a top view of the cable management unit of FIG. 1; and,
FIG. 8 is a bottom view of the cable management unit of FIG. 1.
The broken lines in FIGS. 1-8 are included for the purpose of illustrating environmental structure and form no part of the claimed design.

(56) **References Cited**

U.S. PATENT DOCUMENTS

1,371,619 A * 3/1921 Greenstreet A63H 33/06
446/124
2,229,935 A * 1/1941 Powers E04H 15/322
24/129 B
5,316,246 A * 5/1994 Scott A61M 5/1418
248/68.1
D372,188 S * 7/1996 Van Dyke D8/358
5,954,301 A * 9/1999 Joseph H01R 9/2416
248/68.1
6,206,330 B1 * 3/2001 Oi F16B 37/0842
248/635
D488,054 S * 4/2004 Myers D8/356
D568,254 S * 5/2008 Patchett D13/155
D569,234 S * 5/2008 Young, IV D13/154
D569,236 S * 5/2008 Young, IV D13/154
D569,712 S * 5/2008 Young, IV D13/154

1 Claim, 8 Drawing Sheets



(56)

References Cited

U.S. PATENT DOCUMENTS

7,825,337	B2 *	11/2010	Young, IV	H02G 3/30 174/135
D640,527	S *	6/2011	Hoek	D8/356
D644,501	S *	9/2011	Chen	D8/356
D657,869	S *	4/2012	Mammen	D24/128
D668,620	S *	10/2012	Convert	D13/147
D680,851	S *	4/2013	Lo	D8/356
8,998,151	B2 *	4/2015	Hoek	F16L 3/223 248/68.1
D742,212	S *	11/2015	Hsu	D8/396
D767,500	S *	9/2016	Byrne	D13/154
D768,089	S *	10/2016	Liu	D13/154
D773,414	S *	12/2016	Hoffman	D13/183
D774,002	S *	12/2016	Hsieh	D13/155
D790,127	S *	6/2017	Verleur	D27/183
D799,941	S *	10/2017	Rothenberg	D8/356
D802,168	S *	11/2017	Lee	D25/119
D805,879	S *	12/2017	Garcia	D8/356
D822,122	S *	7/2018	Bilezikian	D21/484
2004/0118982	A1 *	6/2004	Shillings	F16L 3/223 248/68.1
2005/0189453	A1 *	9/2005	DeGuevara	H02G 3/305 248/68.1
2007/0235597	A1 *	10/2007	Winchester	F16L 3/223 248/68.1

OTHER PUBLICATIONS

Zhang, W. et al., "An Ornamental Design for a Cable Management System," U.S. Appl. No. 29/627,100, filed Nov. 22, 2017, 17 pages.

* cited by examiner

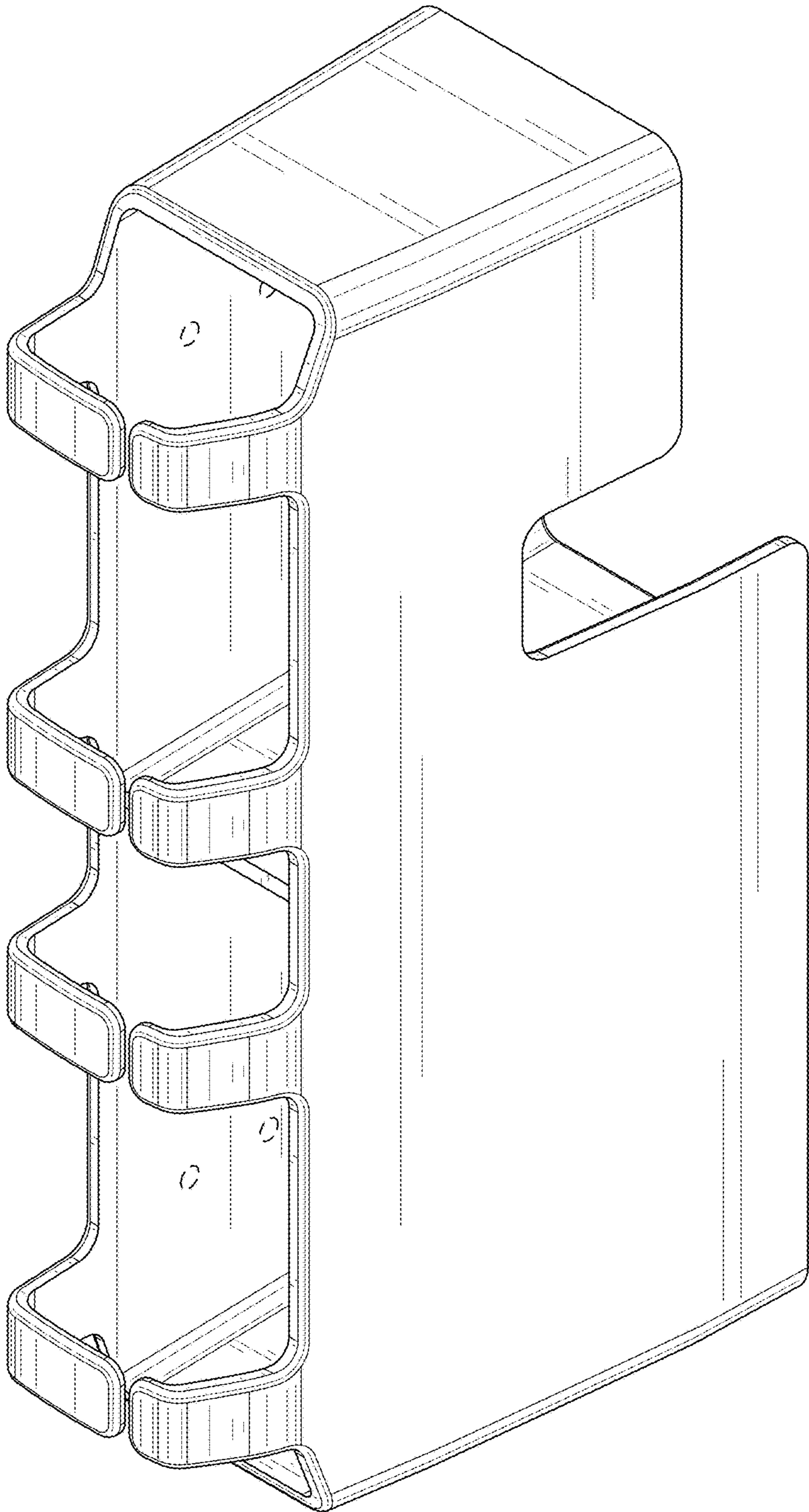


FIG. 1

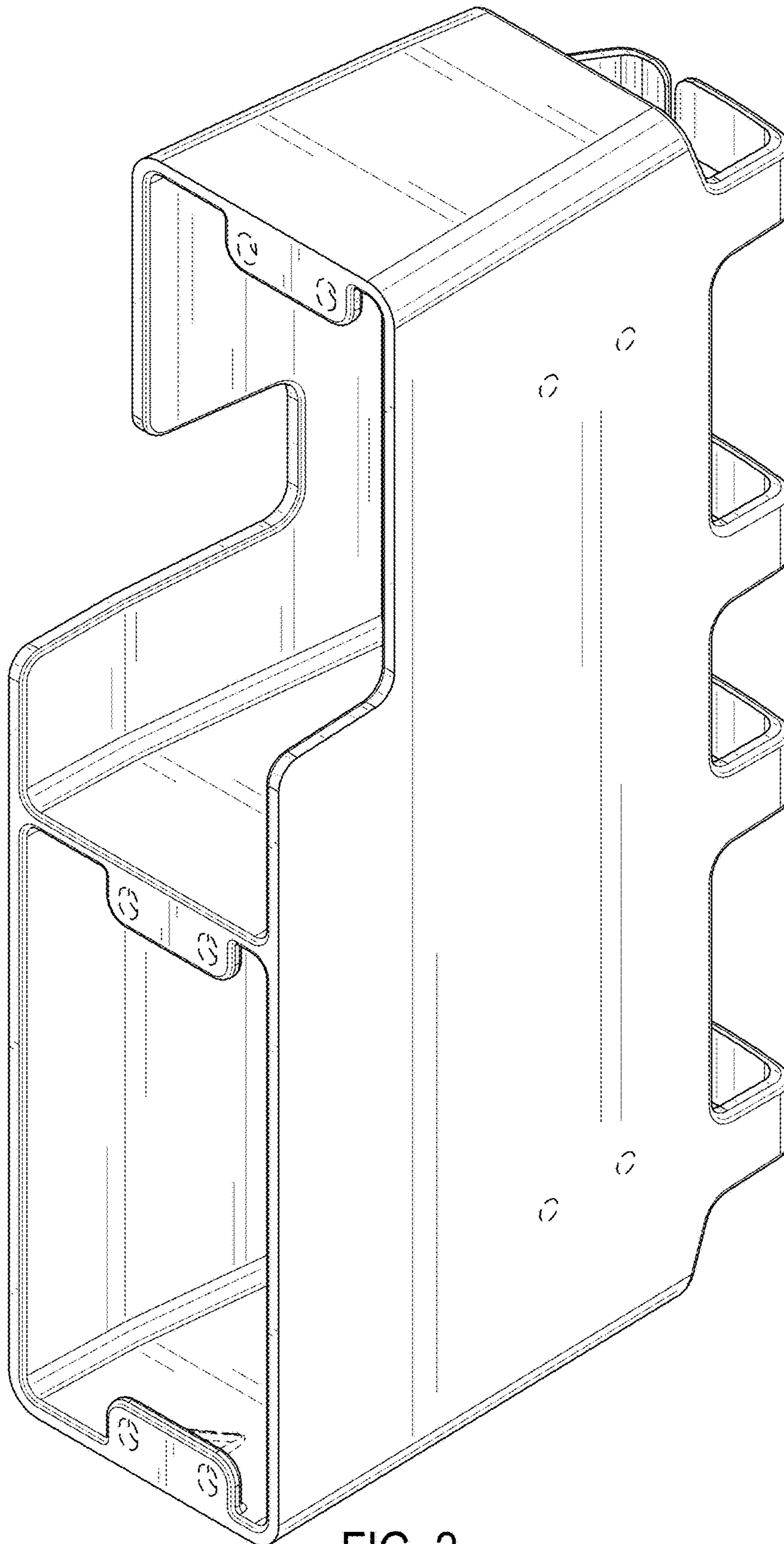


FIG. 2

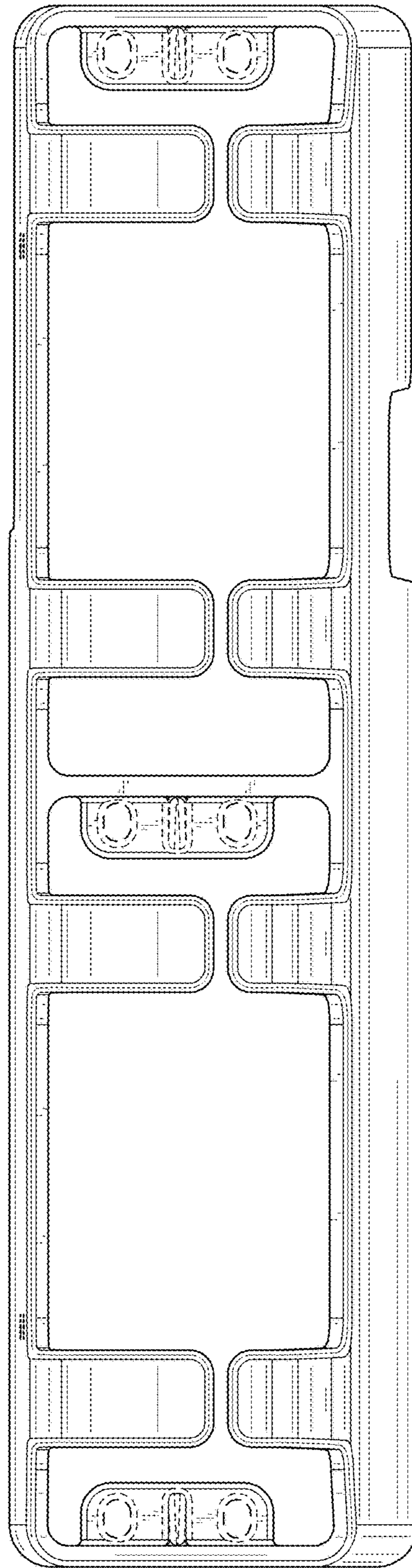


FIG. 3

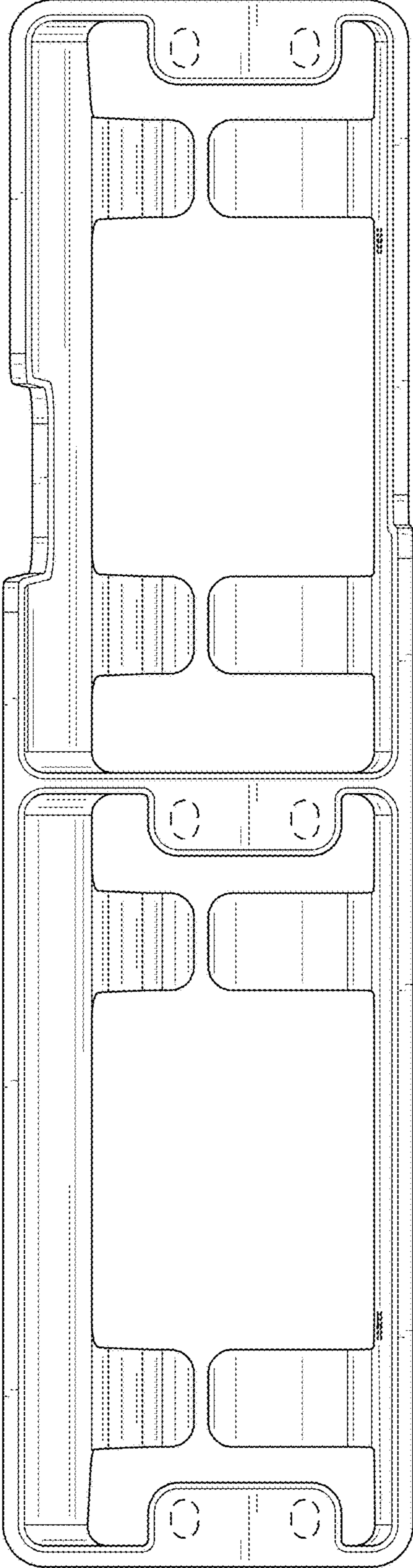


FIG. 4

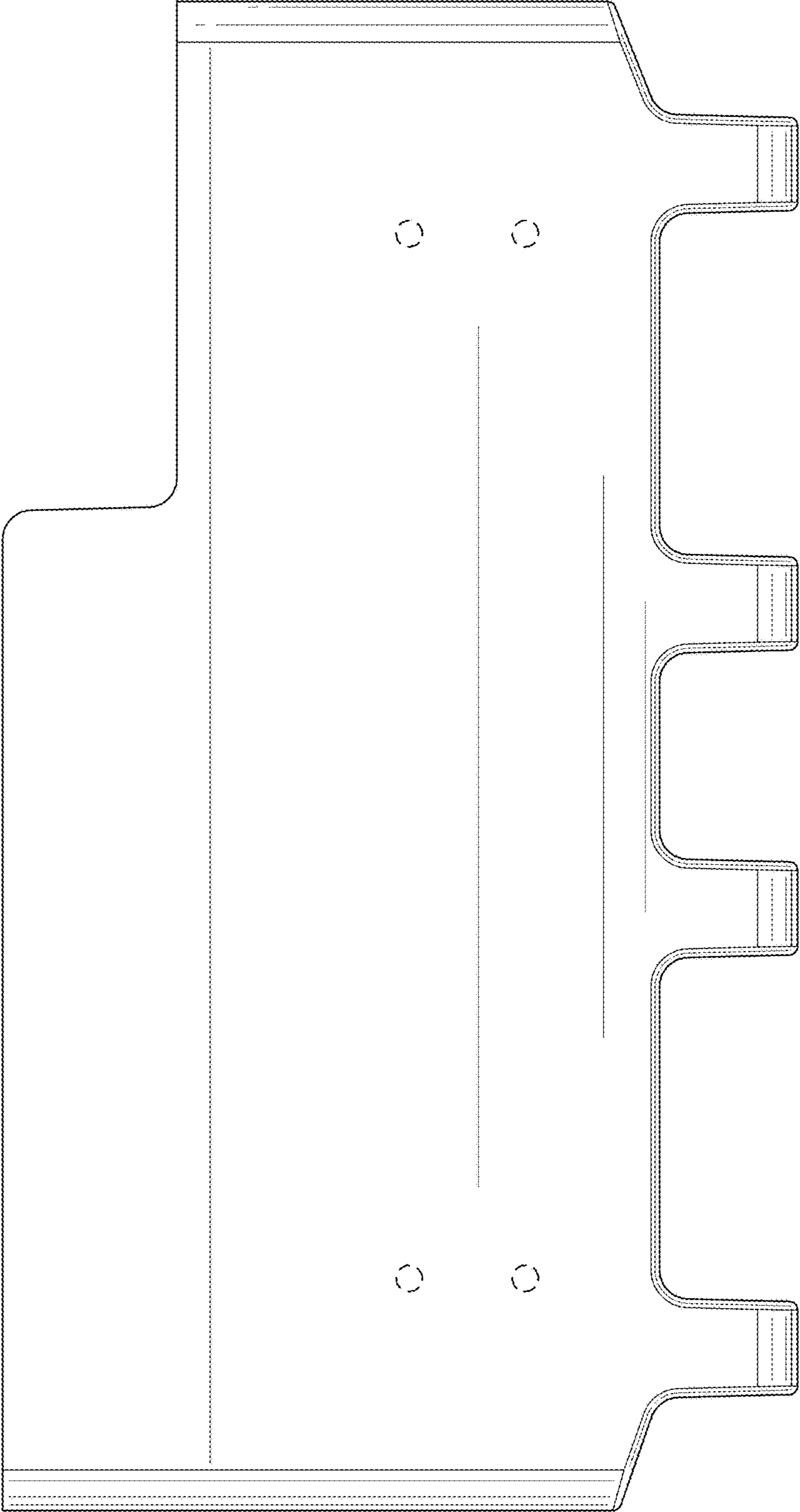


FIG. 5

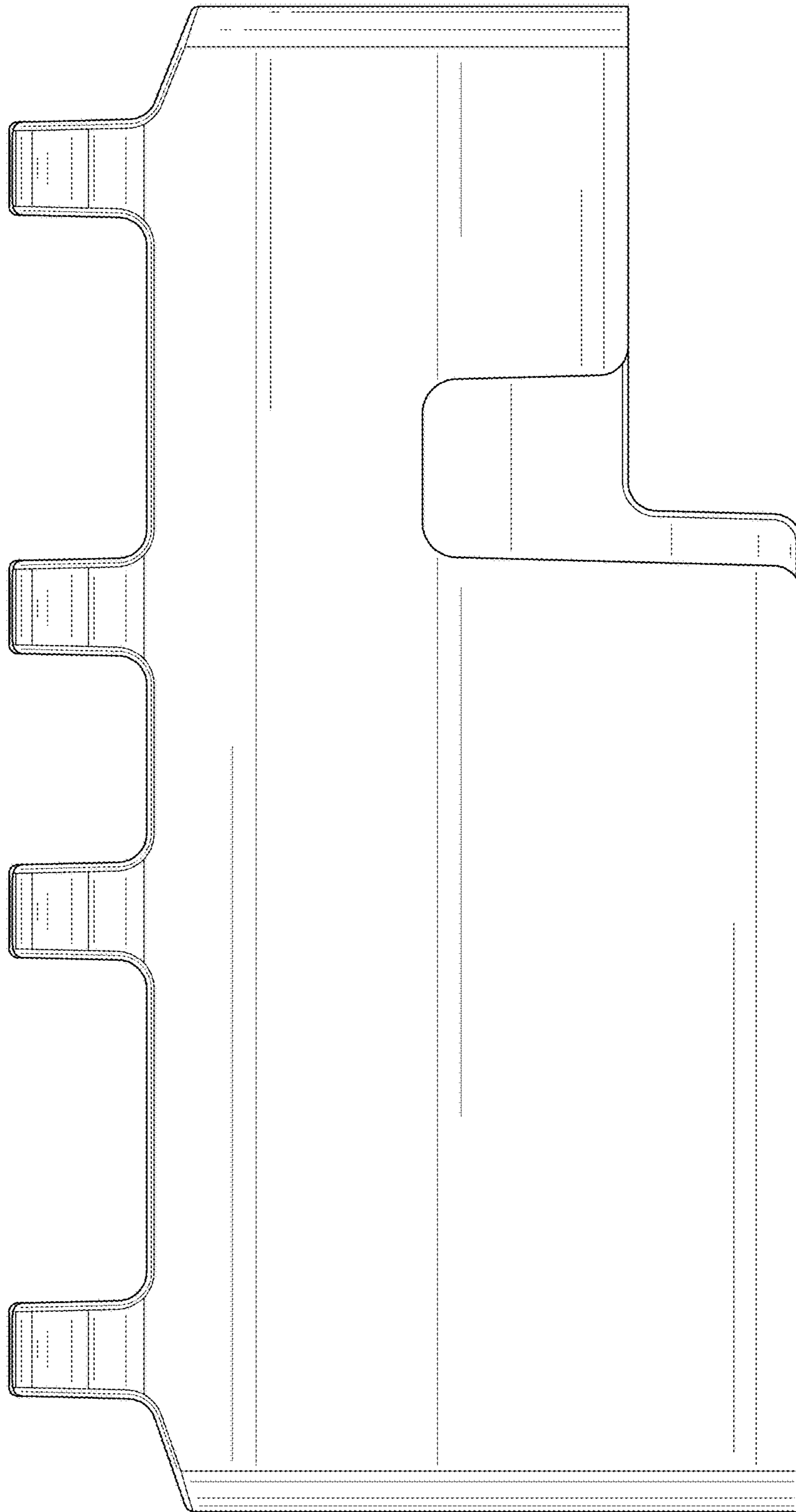


FIG. 6

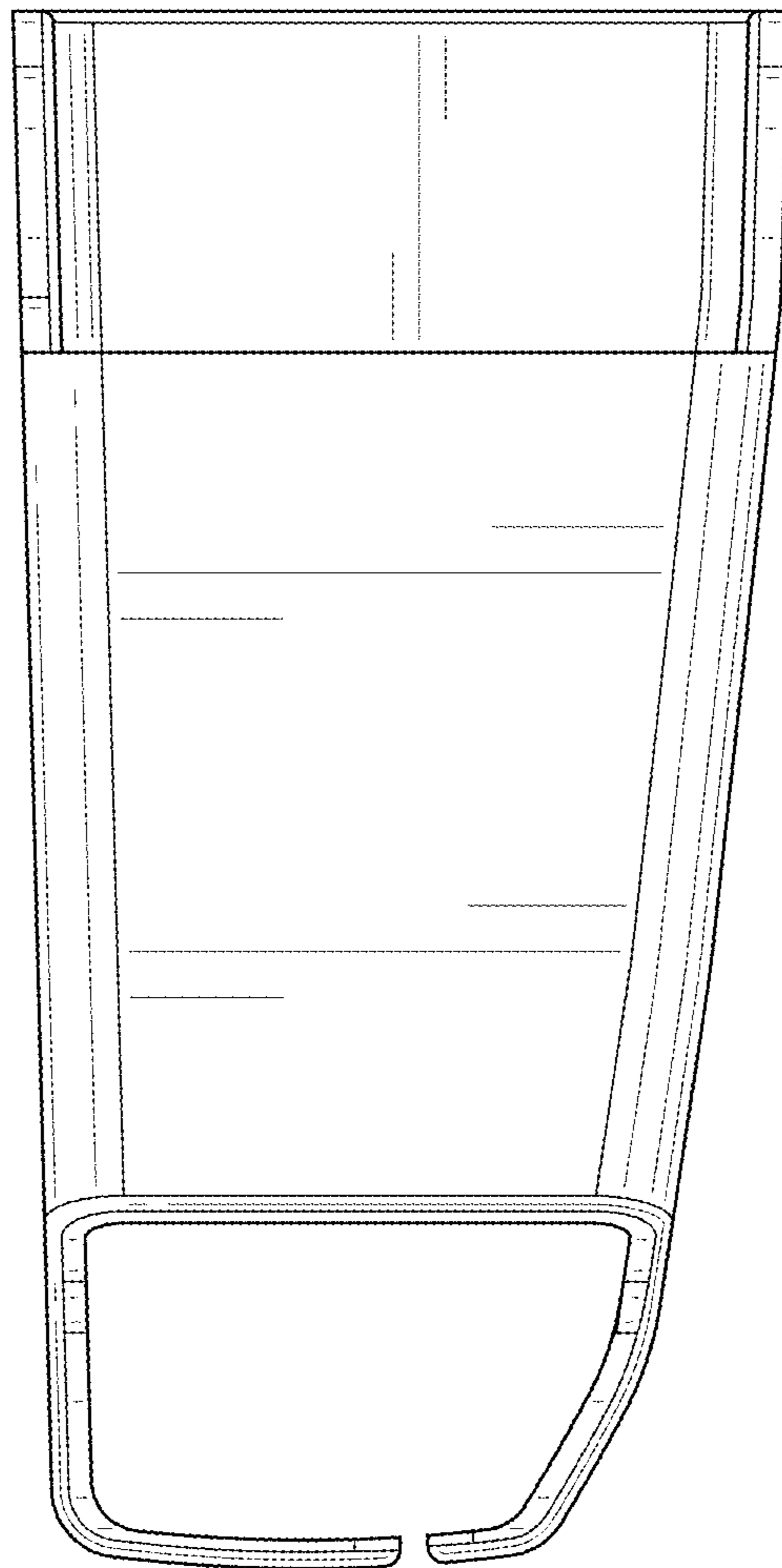


FIG. 7

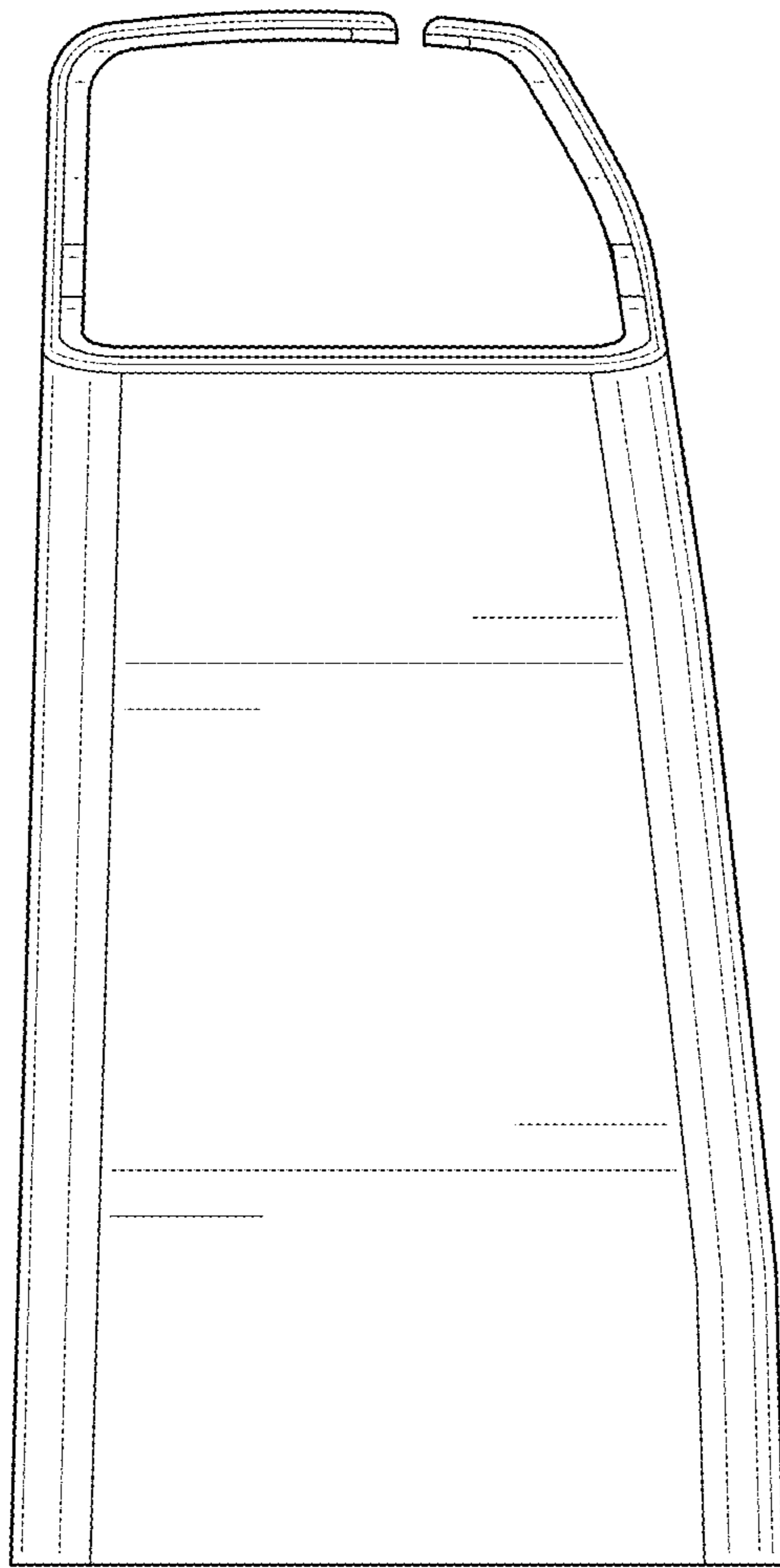


FIG. 8