



US00D835496S

(12) **United States Design Patent** (10) **Patent No.:** **US D835,496 S**  
**Reynoso Ortiz et al.** (45) **Date of Patent:** **\*\* Dec. 11, 2018**

(54) **PANEL WIRING APPARATUS**  
(71) Applicant: **SCHNEIDER ELECTRIC USA, INC.**, Andover, MA (US)

D569,236 S \* 5/2008 Young, IV ..... D13/154  
D569,712 S \* 5/2008 Young, IV ..... D13/154  
D589,899 S \* 4/2009 Huang ..... D13/147  
(Continued)

(72) Inventors: **Juan Daniel Martin Reynoso Ortiz**, Monterrey (MX); **Jeffrey O. Sharp**, Versailles, KY (US); **Daniel S. Erickson**, Spring Hill, TN (US); **Michael Wood**, Christiana, TN (US)

**OTHER PUBLICATIONS**

Brochure of QO and Homeline—Circuit Breaker Load Centers and Enclosures (2000).

*Primary Examiner* — Cynthia R Underwood  
(74) *Attorney, Agent, or Firm* — Locke Lord LLP

(73) Assignee: **SCHNEIDER ELECTRIC USA, INC.**, Andover, MA (US)

(57) **CLAIM**

(\*\*) Term: **15 Years**

The ornamental design for the panel wiring apparatus, as shown and described.

(21) Appl. No.: **29/625,255**

**DESCRIPTION**

(22) Filed: **Nov. 8, 2017**

(51) **LOC (11) Cl.** ..... **09-06**

(52) **U.S. Cl.**  
USPC ..... **D8/356**

(58) **Field of Classification Search**  
USPC ..... D8/356, 354  
CPC ..... B65H 57/16; B63B 21/045  
See application file for complete search history.

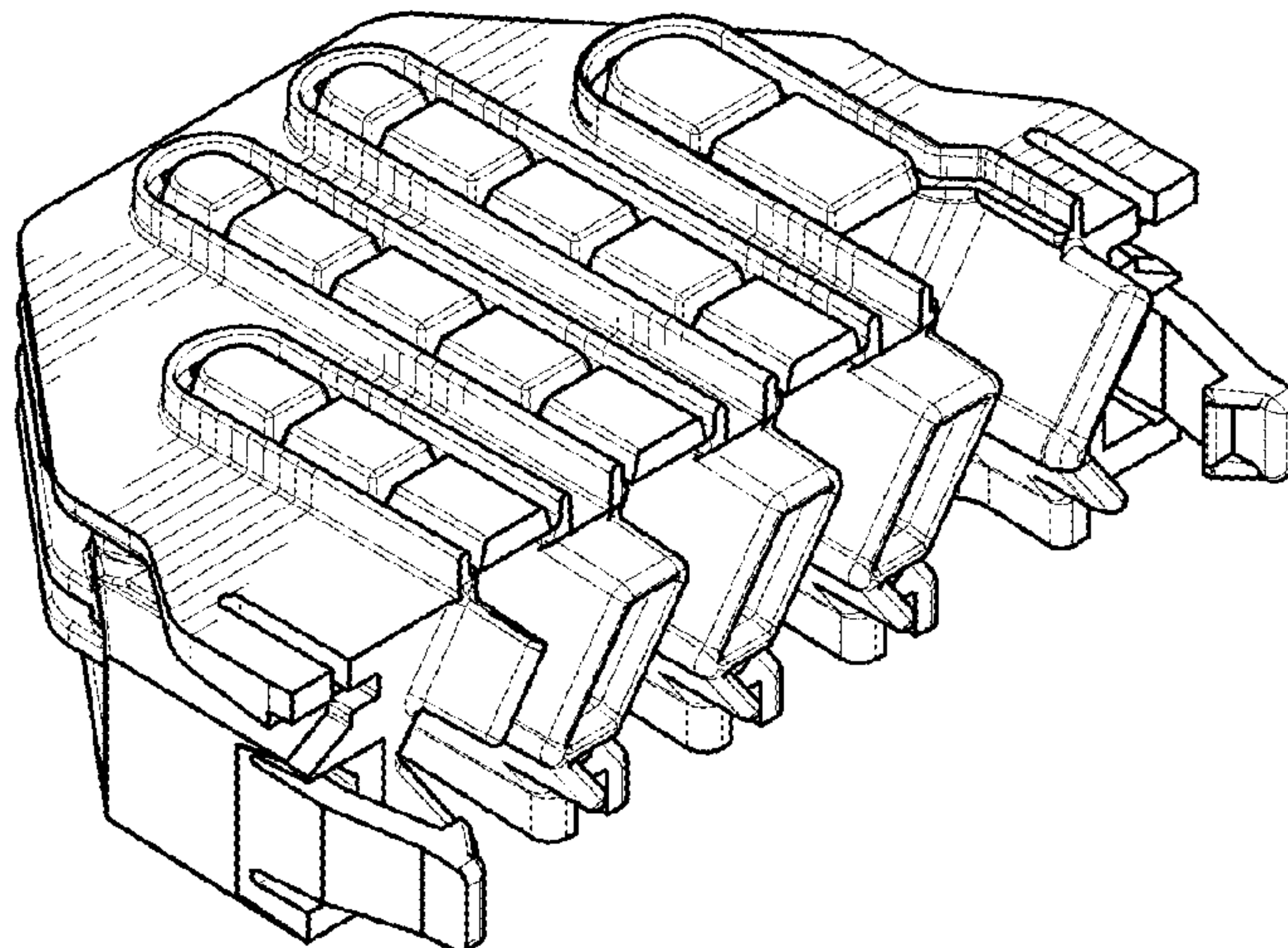
FIG. 1 is a top front perspective view from the left side of the panel wiring apparatus.  
FIG. 2 is a bottom front perspective view of the panel wiring apparatus.  
FIG. 3 is a right front perspective view of the panel wiring apparatus.  
FIG. 4 is a bottom front perspective view of two panel wiring apparatuses mounted inside an electrical panel shown in broken lines and viewed from inside the panel.  
FIG. 5 is a top rear perspective view of two panel wiring apparatuses mounted inside an electrical panel shown in broken lines and viewed from outside the panel.  
FIG. 6 is a front elevation view of the panel wiring apparatus; and,  
FIG. 7 is a top front perspective view from center of the panel wiring apparatus.  
Subject matter shown in broken lines is environmental and forms no part of the claimed design. However, the Applicant reserves the right to claim any combination or subset of subject matter, whether shown in broken lines or solid lines, in this application or in one or more divisional applications thereof.

(56) **References Cited**

**U.S. PATENT DOCUMENTS**

1,371,619 A \* 3/1921 Greenstreet ..... A63H 33/06  
446/124  
2,229,935 A \* 1/1941 Powers ..... E04H 15/322  
24/129 B  
5,316,246 A \* 5/1994 Scott ..... A61M 5/1418  
248/68.1  
D372,188 S \* 7/1996 Van Dyke ..... D8/358  
5,954,301 A \* 9/1999 Joseph ..... H01R 9/2416  
248/68.1  
6,206,330 B1 \* 3/2001 Oi ..... F16B 37/0842  
248/635  
D488,054 S \* 4/2004 Myers ..... D8/356  
D568,254 S \* 5/2008 Patchett ..... D13/155  
D569,234 S \* 5/2008 Young, IV ..... D13/154

**1 Claim, 6 Drawing Sheets**



(56)

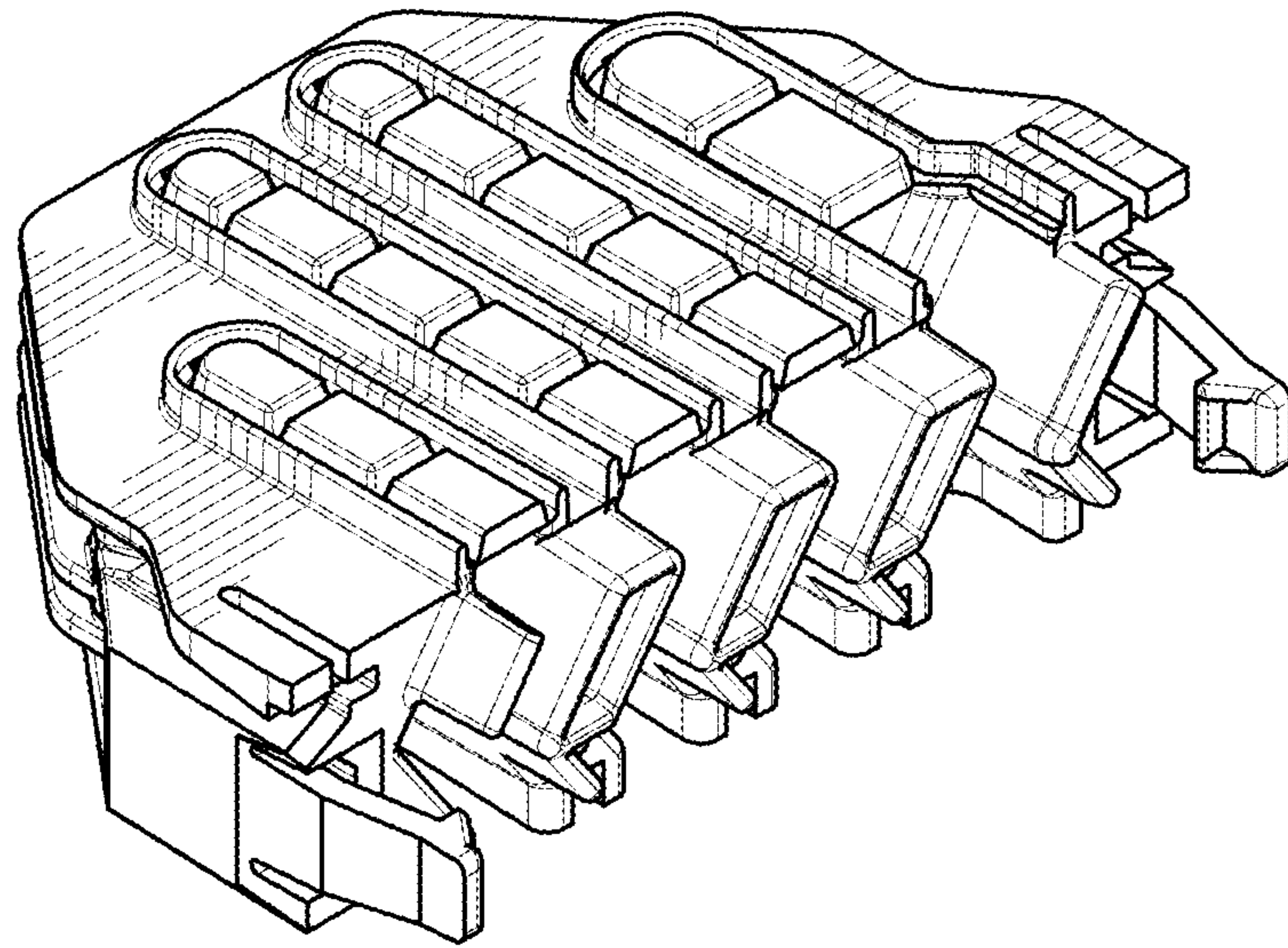
**References Cited**

## U.S. PATENT DOCUMENTS

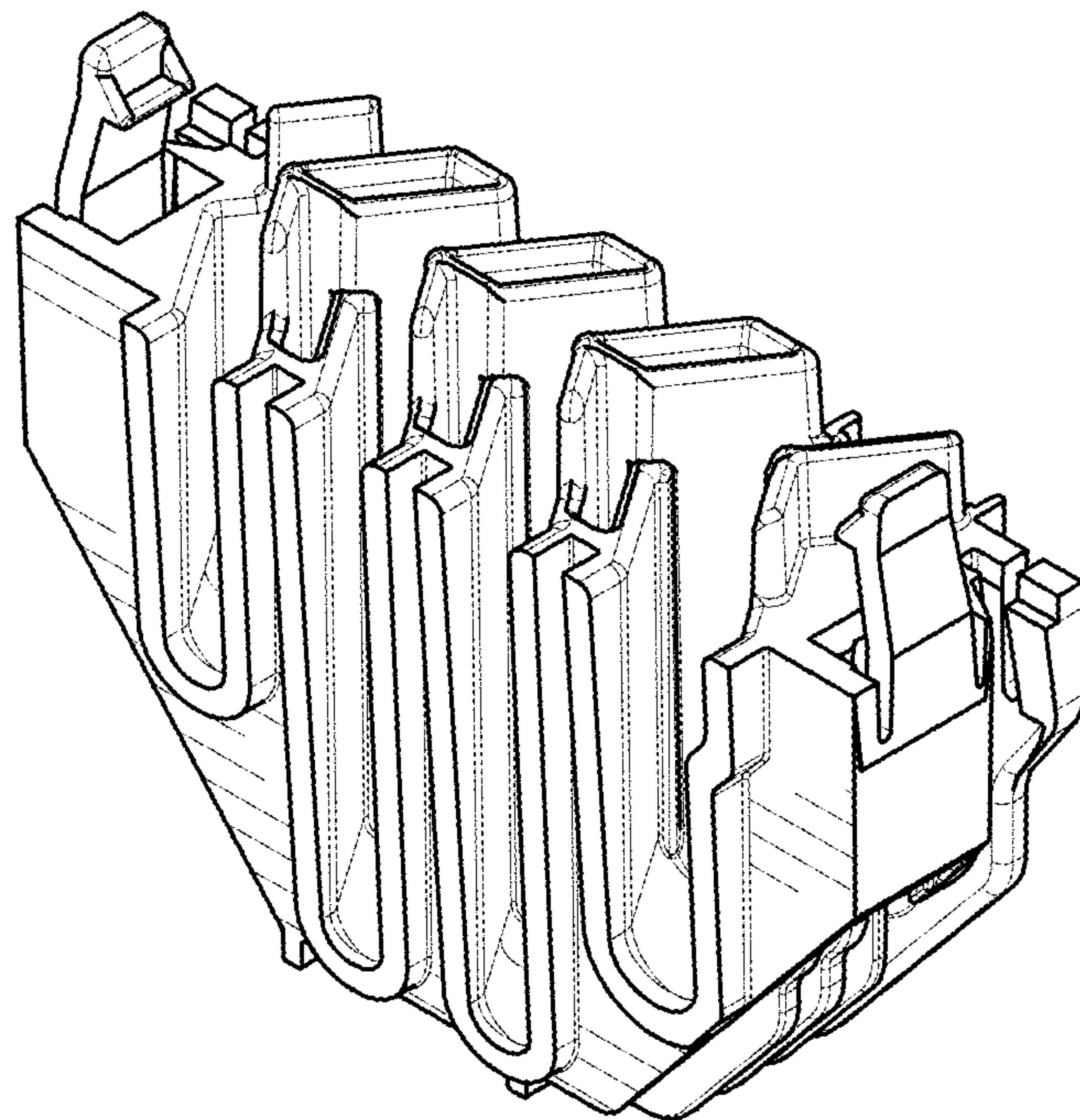
D596,128 S \* 7/2009 Hung ..... D13/147  
D617,741 S \* 6/2010 Fennell ..... D13/154  
7,825,337 B2 \* 11/2010 Young, IV ..... H02G 3/30  
174/135  
D640,527 S \* 6/2011 Hoek ..... D8/356  
D644,501 S \* 9/2011 Chen ..... D8/356  
D657,869 S \* 4/2012 Mammen ..... D24/128  
D668,620 S \* 10/2012 Convert ..... D13/147  
D680,851 S \* 4/2013 Lo ..... D8/356  
8,998,151 B2 \* 4/2015 Hoek ..... F16L 3/223  
248/68.1  
D742,212 S \* 11/2015 Hsu ..... D8/396  
D767,500 S \* 9/2016 Byrne ..... D13/154  
D768,089 S \* 10/2016 Liu ..... D13/154  
D773,414 S \* 12/2016 Hoffman ..... D13/183  
D774,002 S \* 12/2016 Hsieh ..... D13/155  
D790,127 S \* 6/2017 Verleur ..... D27/183  
D799,941 S \* 10/2017 Rothenberg ..... D8/356  
D802,168 S \* 11/2017 Lee ..... D25/119  
D805,879 S \* 12/2017 Garcia ..... D8/356  
D822,122 S \* 7/2018 Bilezikian ..... D21/484  
2004/0118982 A1 \* 6/2004 Shillings ..... F16L 3/223  
248/68.1  
2005/0189453 A1 \* 9/2005 DeGuevara ..... H02G 3/305  
248/68.1  
2007/0235597 A1 \* 10/2007 Winchester ..... F16L 3/223  
248/68.1

\* cited by examiner





**FIG. 1**



**FIG. 2**

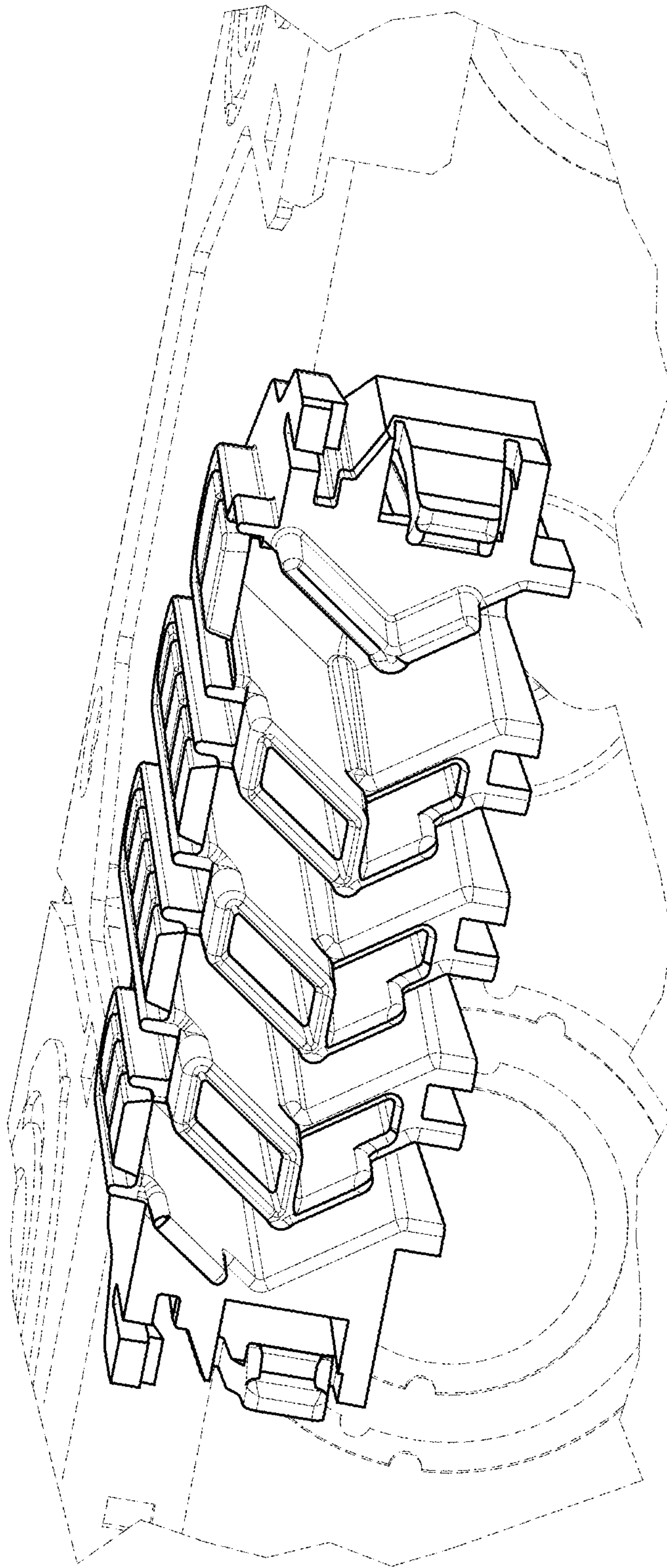


FIG. 3

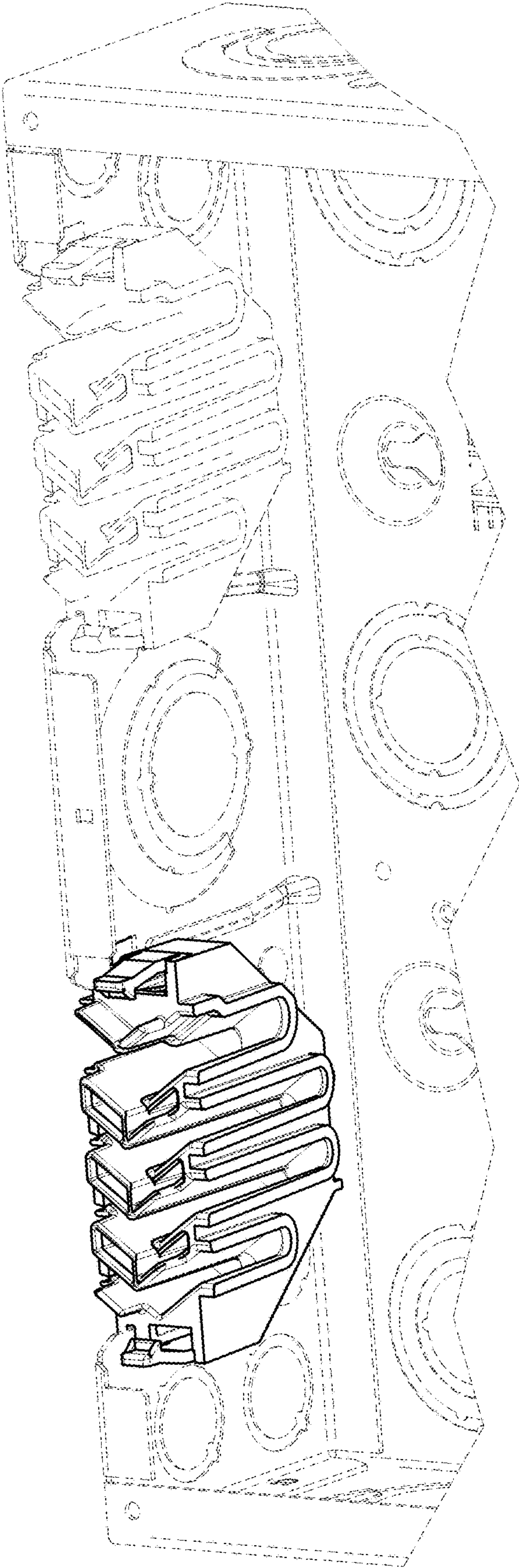


FIG. 4



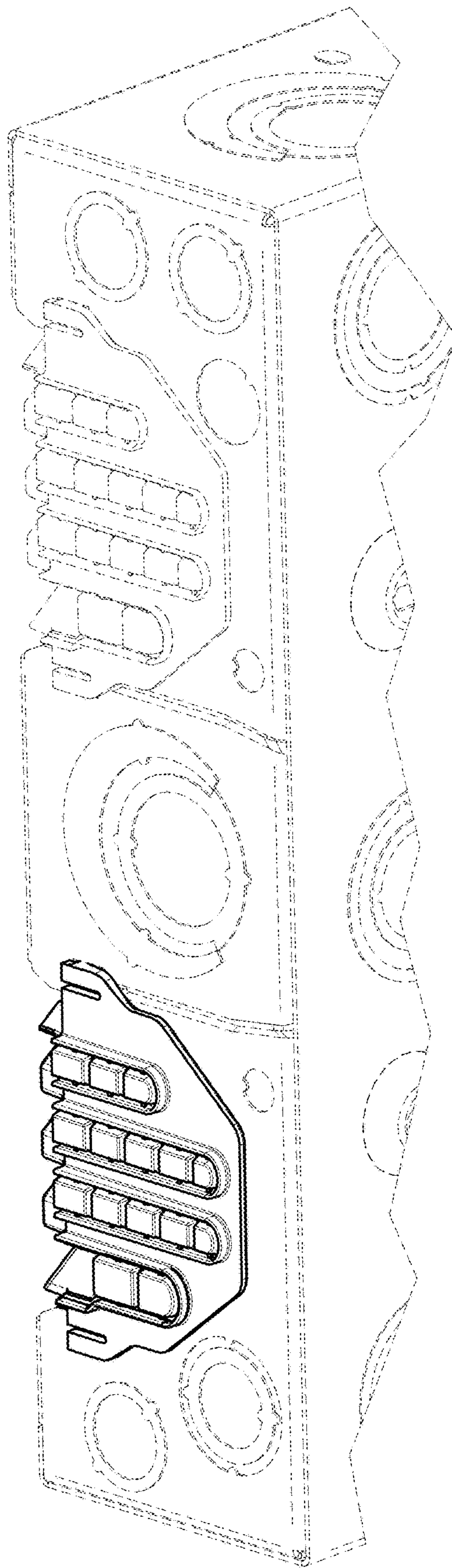


FIG. 5

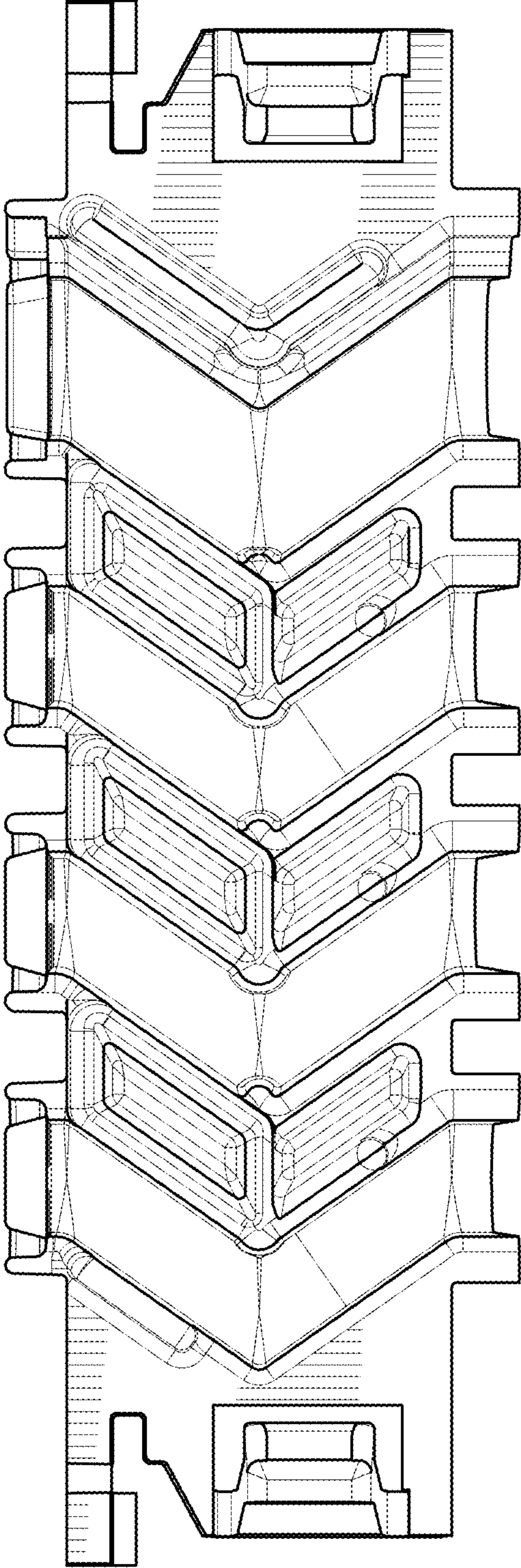


FIG. 6

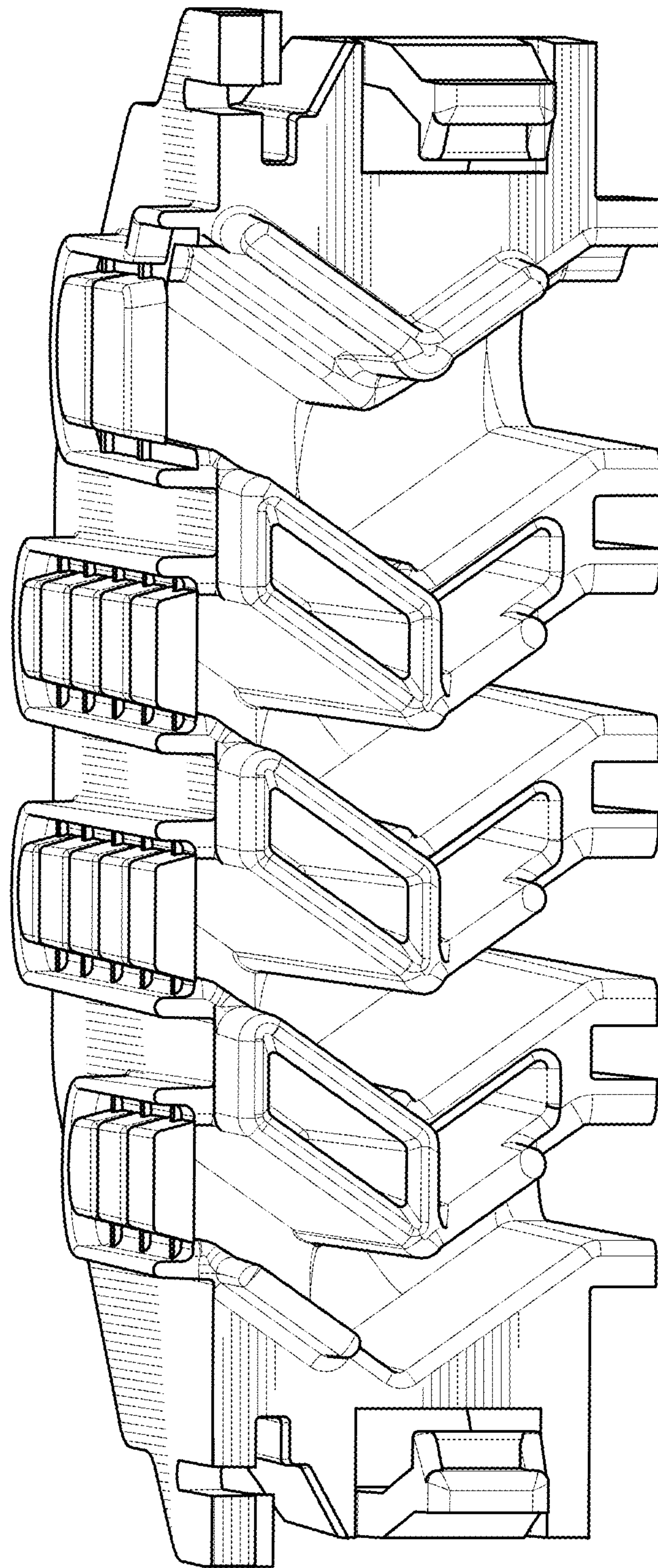


FIG. 7