



US00D835495S

(12) **United States Design Patent** (10) **Patent No.:** **US D835,495 S**  
**Votel et al.** (45) **Date of Patent:** **\*\* Dec. 11, 2018**

(54) **CABLE TIE ANCHOR POINT**

(71) Applicant: **Tenacious Holdings, Inc.**, St. Paul, MN (US)

(72) Inventors: **Thomas Votel**, Sunfish Lake, MN (US); **Ian Forte**, Crystal, MN (US); **Nathan Bohmbach**, Lakeville, MN (US); **Paul Goudreau**, Edina, MN (US)

(73) Assignee: **Tenacious Holdings, Inc.**, St. Paul, MN (US)

(\*\*) Term: **15 Years**

(21) Appl. No.: **29/611,364**

(22) Filed: **Jul. 20, 2017**

(51) **LOC (11) Cl.** ..... **09-06**

(52) **U.S. Cl.**  
USPC ..... **D8/356**

(58) **Field of Classification Search**  
USPC ..... D8/356, 354; 381/384  
CPC ..... E02D 5/803; B63B 21/045; B63B 59/02;  
B60D 1/18; B60P 7/0823; A44B 13/0029;  
Y10T 24/3918

See application file for complete search history.

(56) **References Cited**

**U.S. PATENT DOCUMENTS**

4,754,529	A *	7/1988	Paradis	.....	B29C 45/0055
					24/16 PB
5,884,367	A *	3/1999	Teagno	.....	F16L 3/2332
					24/16 PB
5,911,368	A *	6/1999	Davignon	.....	B65D 63/1081
					24/16 PB
5,956,813	A *	9/1999	Cooper	.....	B65D 63/1063
					24/16 PB
6,497,258	B1 *	12/2002	Flannery	.....	B65D 63/1063
					140/123.6

(Continued)

*Primary Examiner* — Cynthia R Underwood  
(74) *Attorney, Agent, or Firm* — Skaar Ulbrich Macari, P.A.

(57) **CLAIM**

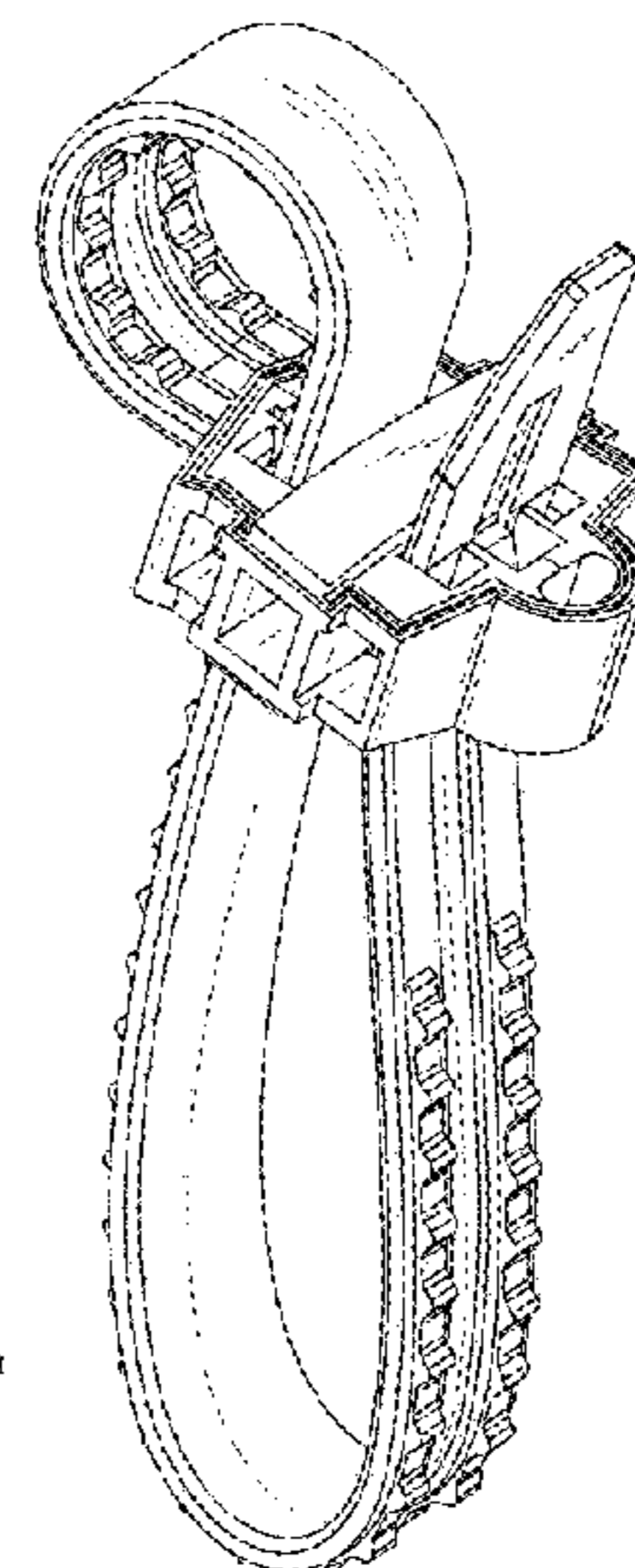
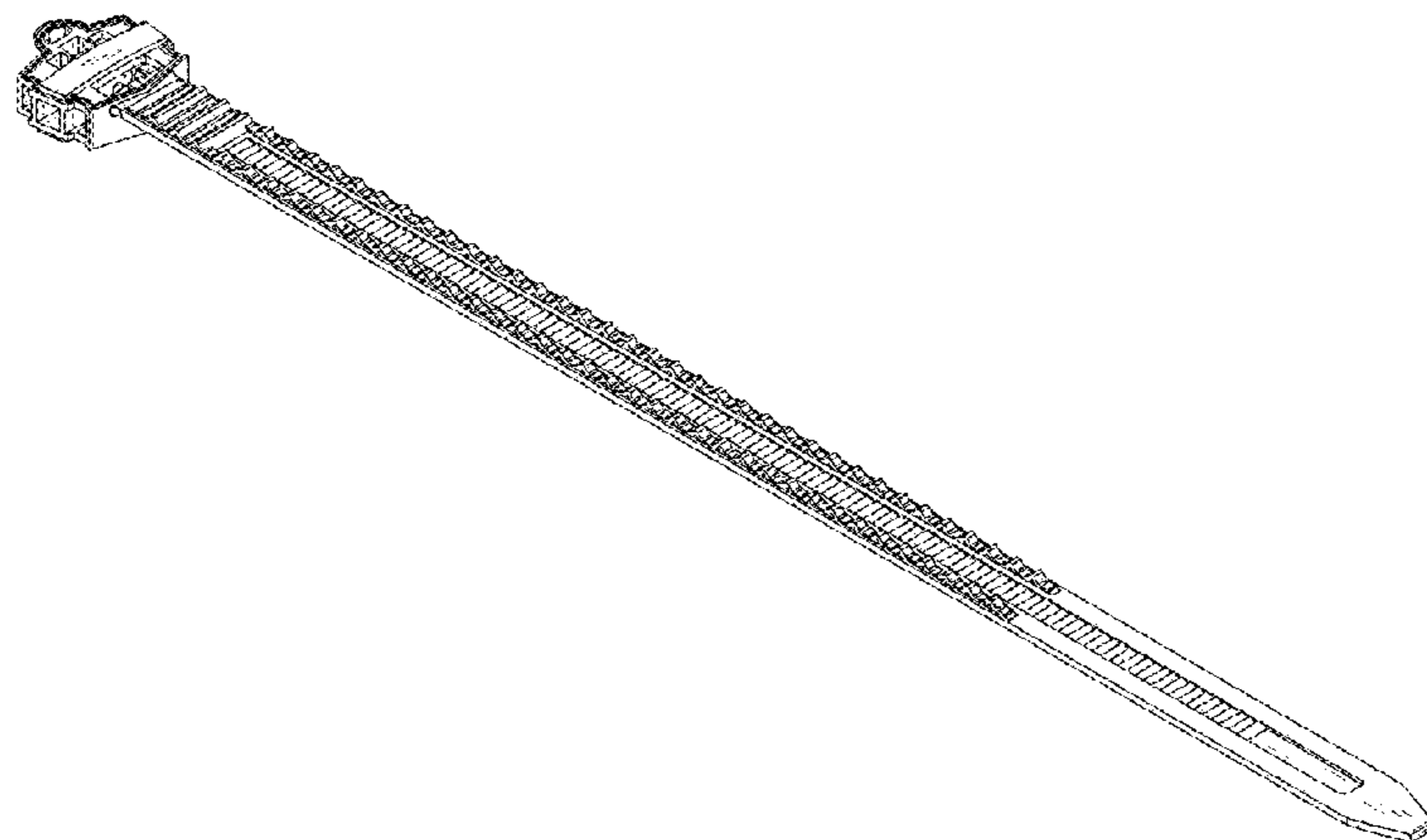
The ornamental design for a cable tie anchor point, as shown and described.

**DESCRIPTION**

FIG. 1 is a perspective view of a cable tie anchor point showing our new design;  
 FIG. 2 is another perspective view thereof;  
 FIG. 3 is a left side elevation view thereof;  
 FIG. 4 is a right side elevation view thereof;  
 FIG. 5 is a top plan view thereof;  
 FIG. 6 is a bottom plan view thereof;  
 FIG. 7 is a front elevation view thereof;  
 FIG. 8 is a rear elevation view thereof;  
 FIG. 9 is a right perspective view of the invention in a bent configuration;  
 FIG. 10 is a left perspective view thereof in a bent configuration;  
 FIG. 11 is a right side elevation view thereof in a bent configuration;  
 FIG. 12 is a left side elevation view thereof in a bent configuration;  
 FIG. 13 is a front elevation view thereof in a bent configuration;  
 FIG. 14 is a rear elevation view thereof in a bent configuration;  
 FIG. 15 is a top plan view thereof in a bent configuration;  
 FIG. 16 is a bottom plan view thereof in a bent configuration; and,  
 FIG. 17 is a perspective view thereof in a bent configuration showing the invention in use creating an anchor point on a hammer.

The broken lines shown in the figures illustrate environmental structures for illustrative purposes only and form no part of the claimed design.

**1 Claim, 15 Drawing Sheets**



(56)

References Cited

U.S. PATENT DOCUMENTS

7,131,168 B2 *	11/2006	Pangallo	.....	B65D 63/1063 24/16 PB	D751,888 S *	3/2016	Sakamoto	.....	D8/383
D537,333 S *	2/2007	Jowsey	.....	D8/396	9,340,341 B2 *	5/2016	Farrell	.....	B65D 63/14
7,775,484 B2 *	8/2010	Gunzburger	.....	B60R 16/0215 248/74.3	D769,704 S *	10/2016	Nitta	.....	D8/387
7,789,414 B2 *	9/2010	Blackburn	.....	B60R 21/213 24/16 PB	D818,350 S *	5/2018	Dencek	.....	D8/356
D631,731 S *	2/2011	Chen	.....	D8/356	D820,667 S *	6/2018	Sugiyama	.....	D8/356
D634,187 S *	3/2011	Kozel	.....	D8/396	2001/0013277 A1 *	8/2001	Galkiewicz	.....	A44B 18/0053 100/2
8,413,306 B2 *	4/2013	Gallant	.....	B29C 43/222 24/306	2006/0265840 A1 *	11/2006	Thompson	.....	H02G 3/30 24/16 PB
D698,632 S *	2/2014	Wang	.....	D8/383	2007/0057124 A1 *	3/2007	Kwilosz	.....	F16L 3/137 248/74.1
8,739,387 B1 *	6/2014	Frishberg	.....	F16L 3/2332 140/93 A	2010/0306967 A1 *	12/2010	Geiger	.....	B65D 63/14 24/16 PB
D712,295 S *	9/2014	Ennis	.....	D11/3	2012/0291231 A1 *	11/2012	Ku	.....	B65D 63/1072 24/16 R
8,978,210 B2 *	3/2015	Arjomand	.....	B65D 63/14 24/16 PB	2015/0033509 A1 *	2/2015	Dietrich	.....	B65D 63/1018 24/16 PB
8,978,211 B2 *	3/2015	Arjomand	.....	B65D 63/1027 24/16 PB	2015/0210453 A1 *	7/2015	Liang	.....	B65D 63/1072 24/16 PB
9,067,717 B2 *	6/2015	DeMik	.....	B65D 67/02	2016/0009469 A1 *	1/2016	Schneider De Oliveira	.....	F16L 3/133 248/636
D741,691 S *	10/2015	Adams	.....	D8/356	2018/0029519 A1 *	2/2018	Hill	.....	B60P 3/079
					2018/0154818 A1 *	6/2018	Sauerwald	.....	B60P 7/0823

\* cited by examiner



FIG. 1

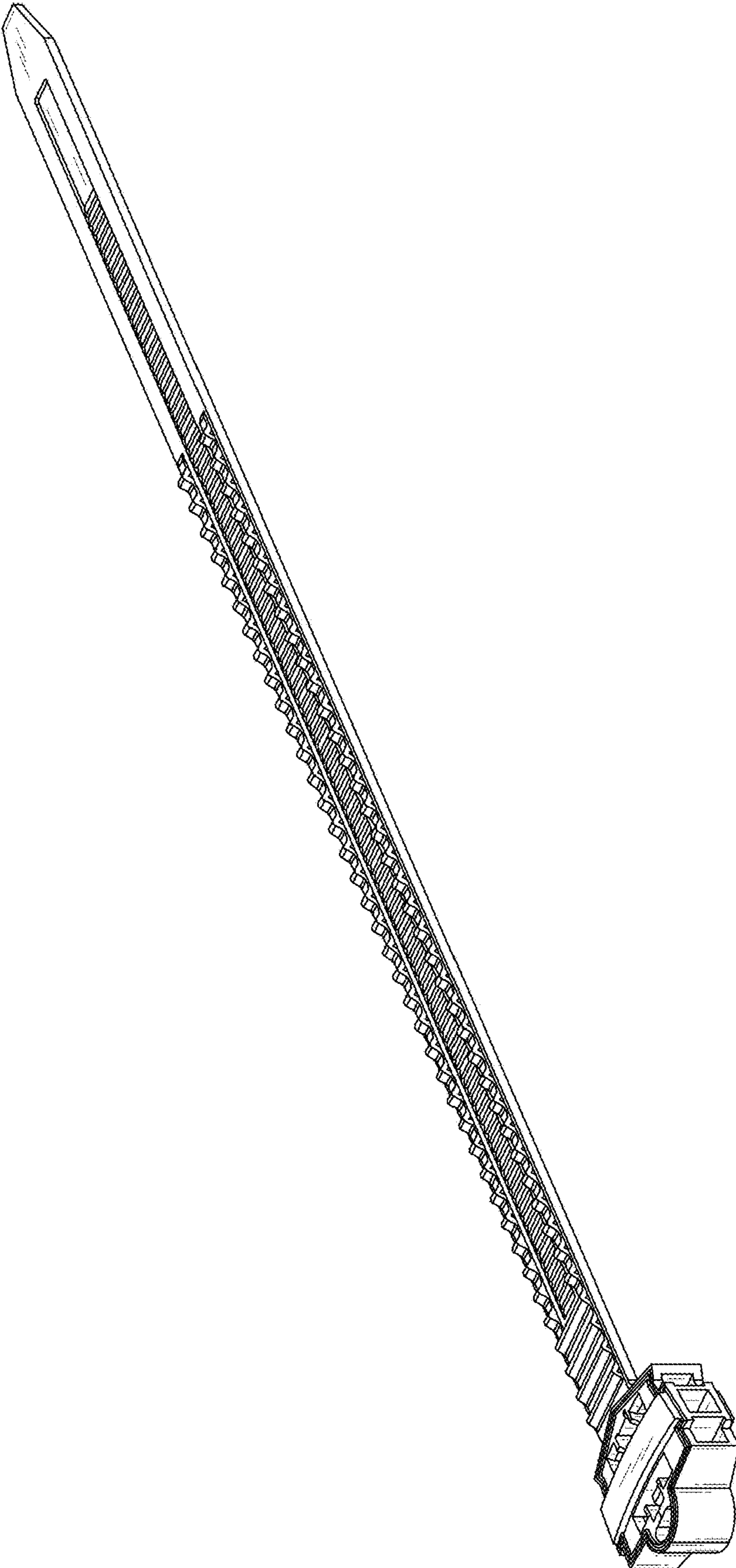


FIG. 2

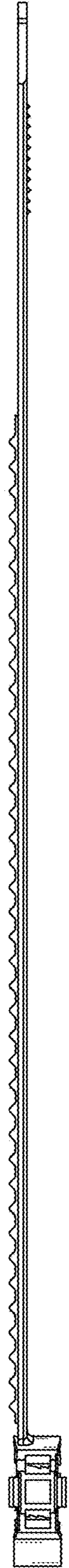


FIG. 3

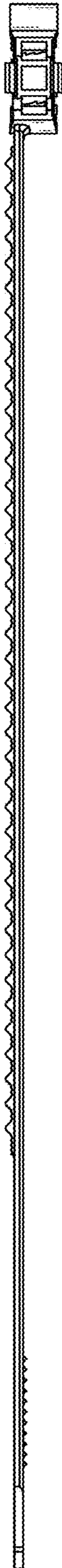


FIG. 4

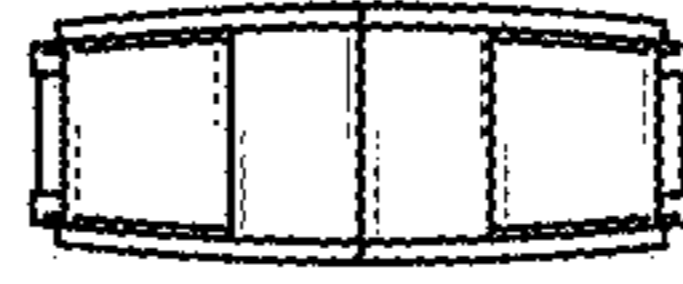


FIG. 5

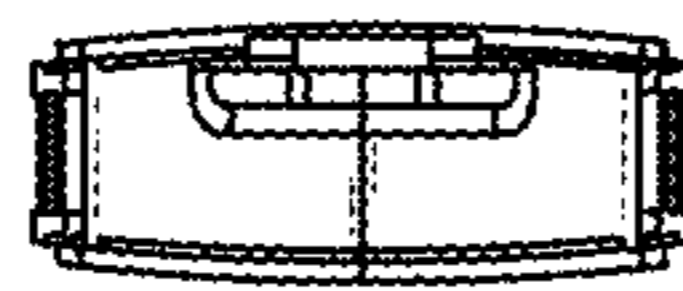


FIG. 6

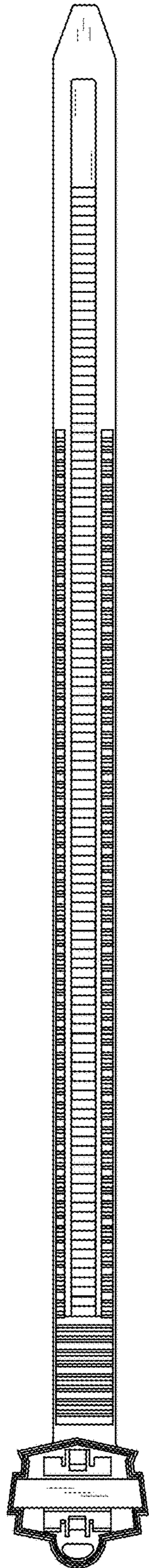


FIG. 7



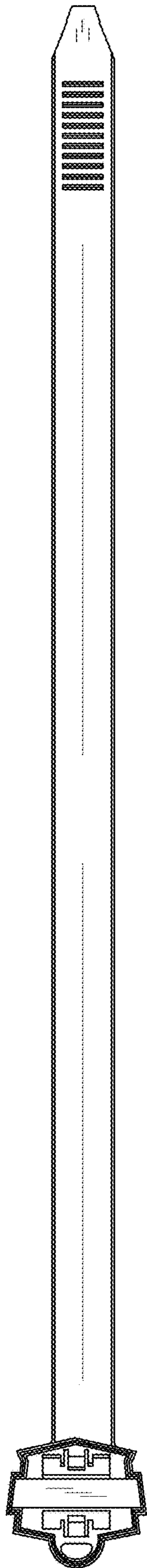


FIG. 8

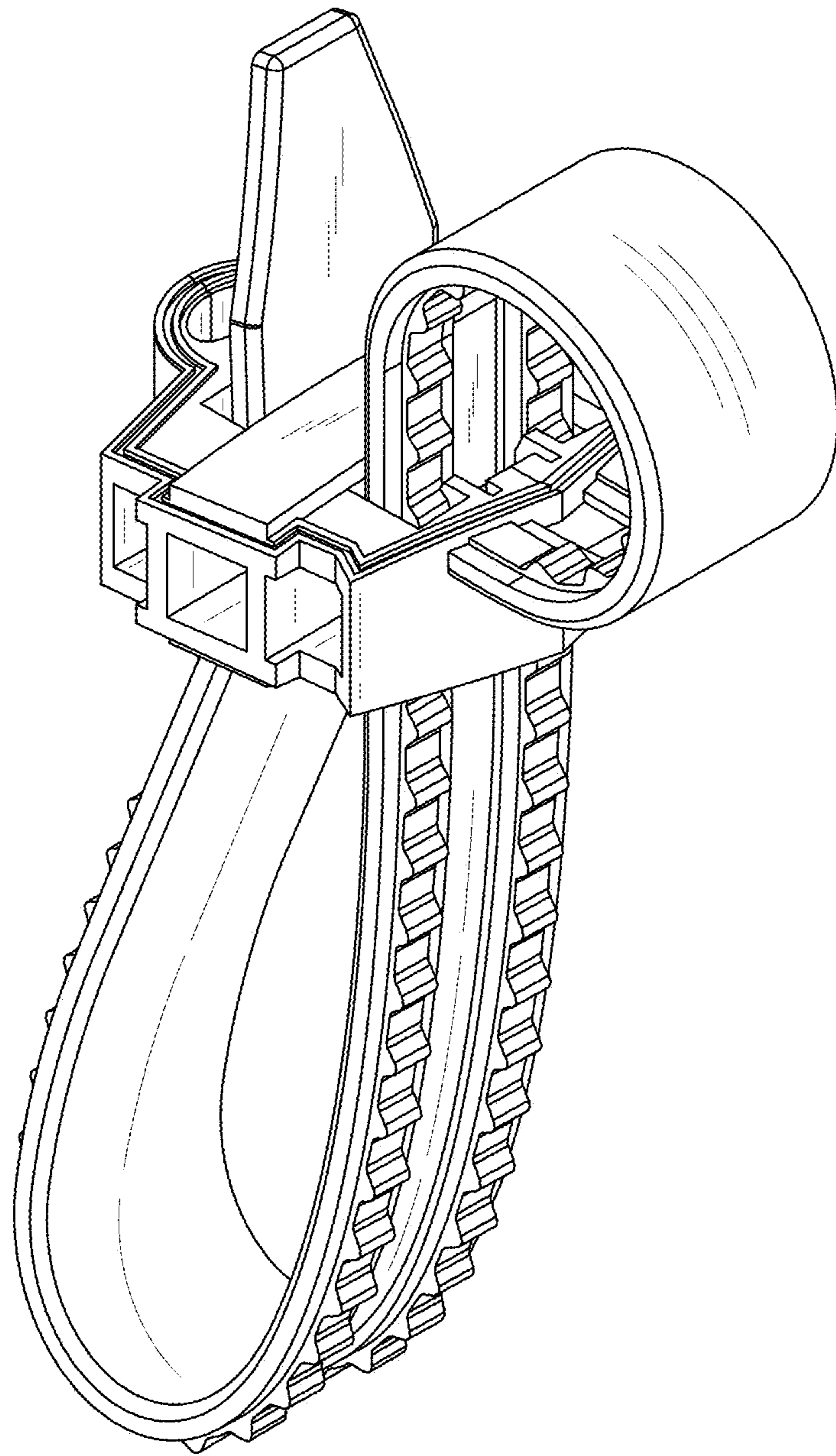


FIG. 9

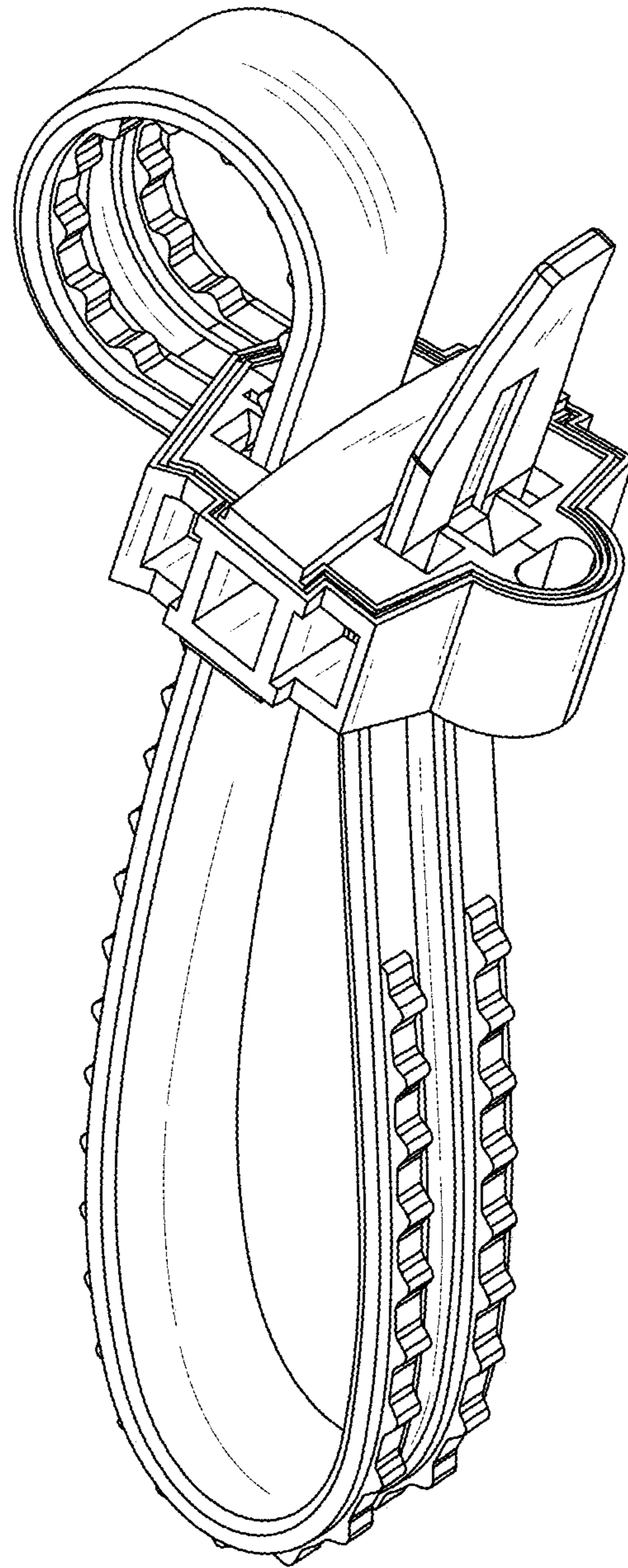


FIG. 10

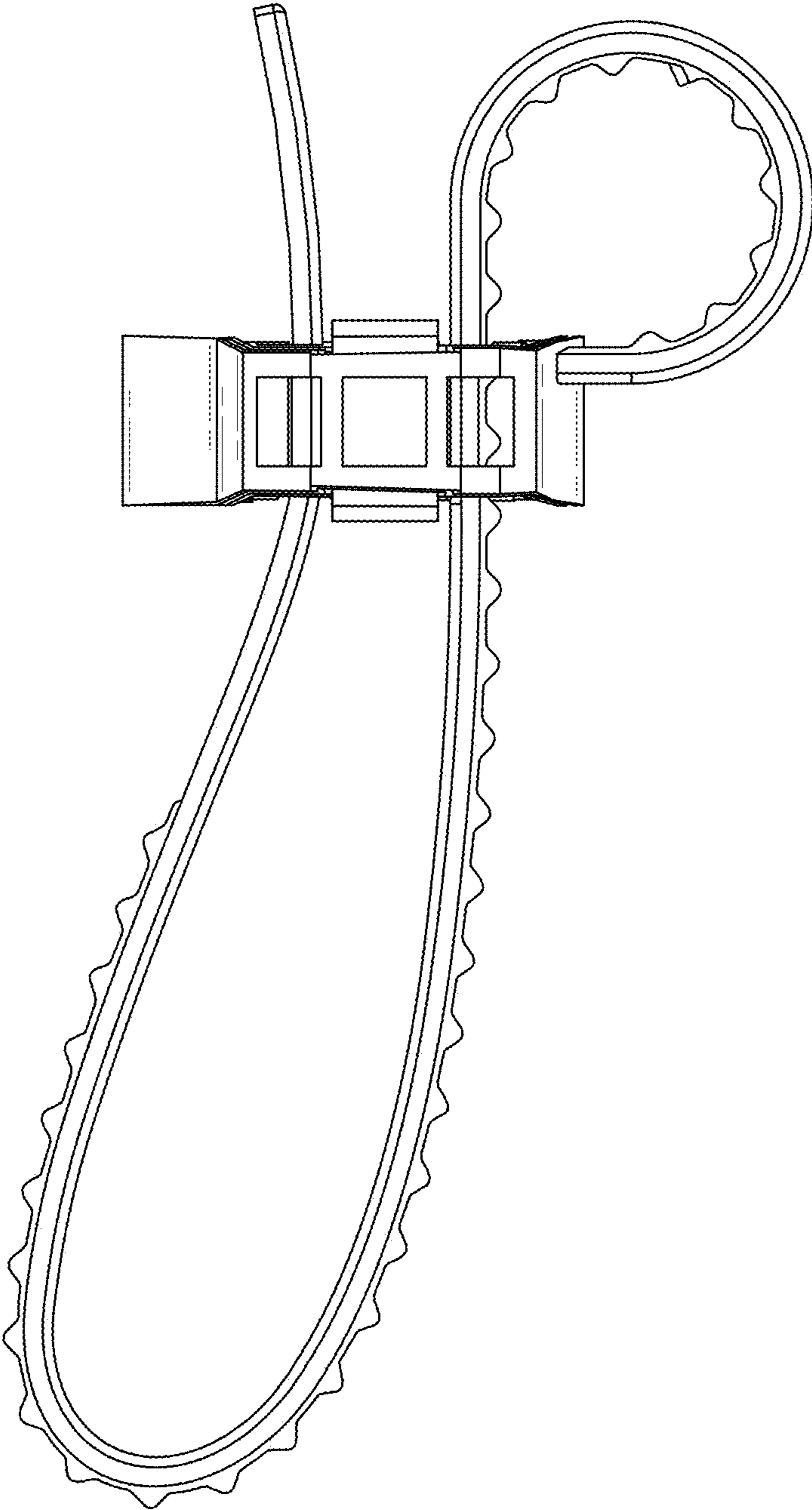


FIG. 11

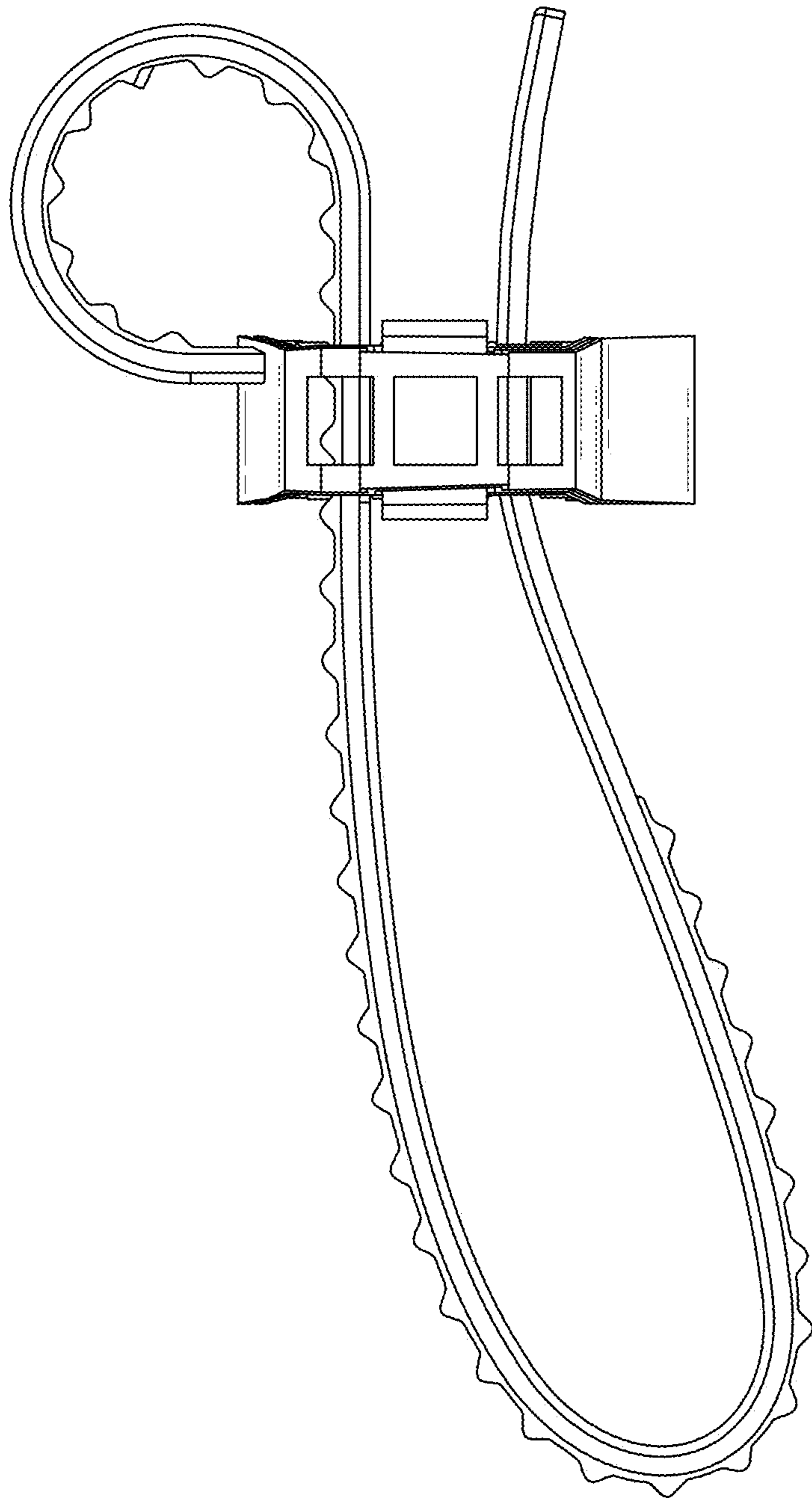


FIG. 12

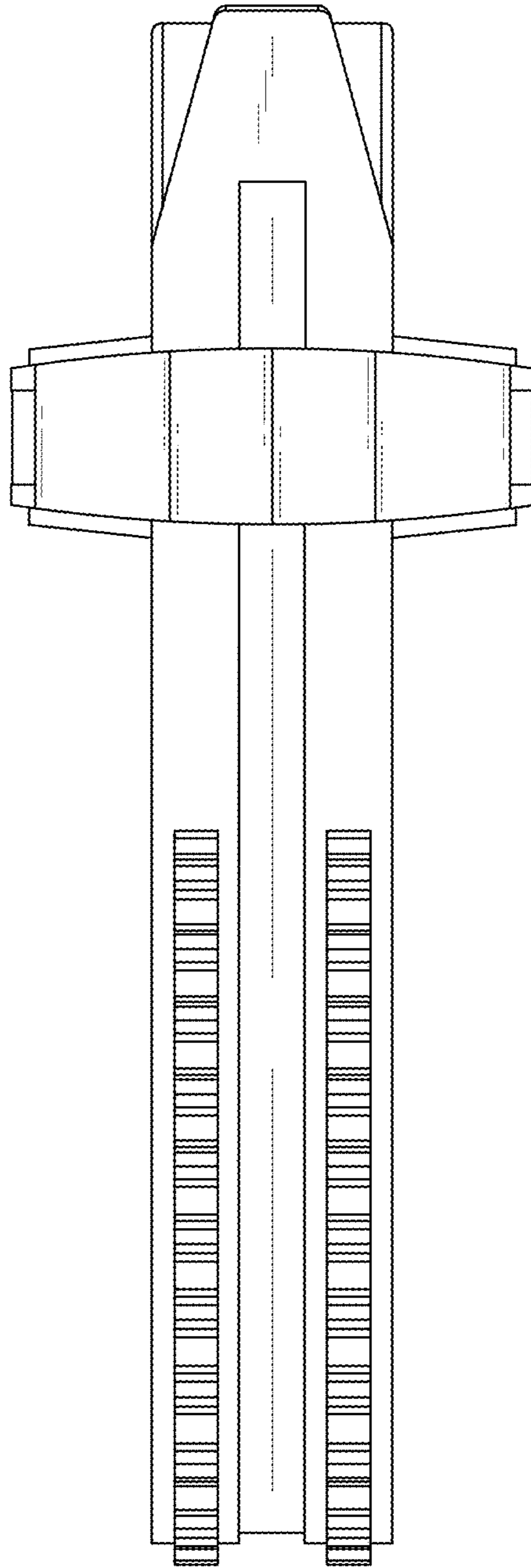


FIG. 13

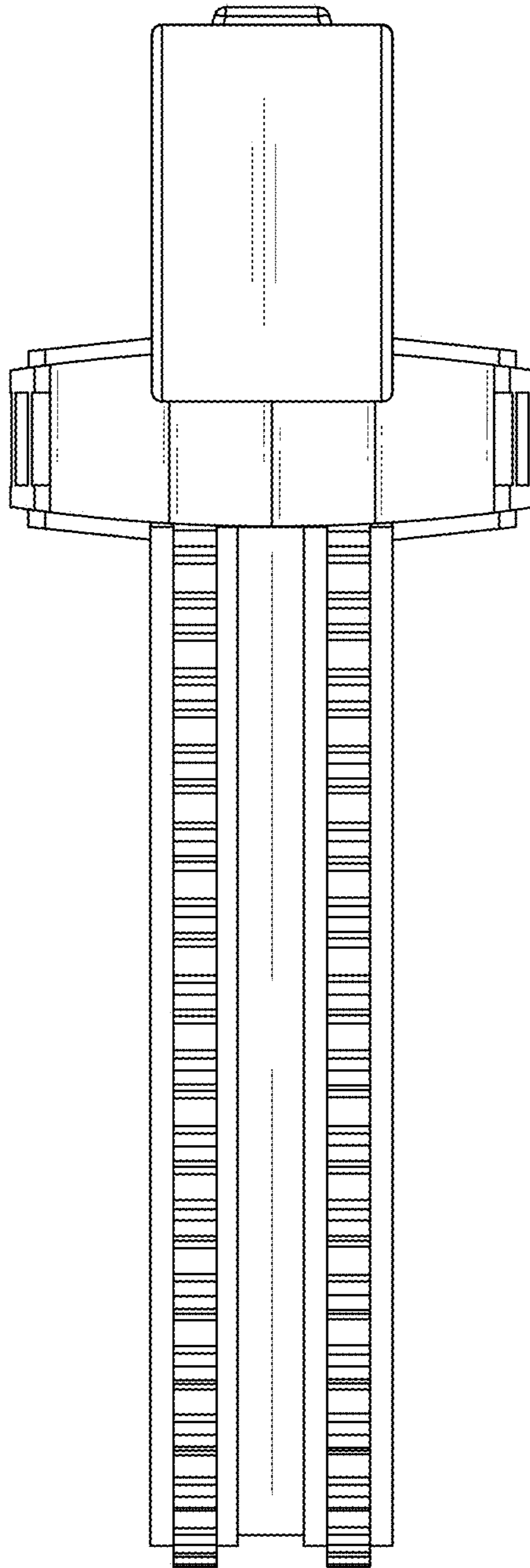


FIG. 14

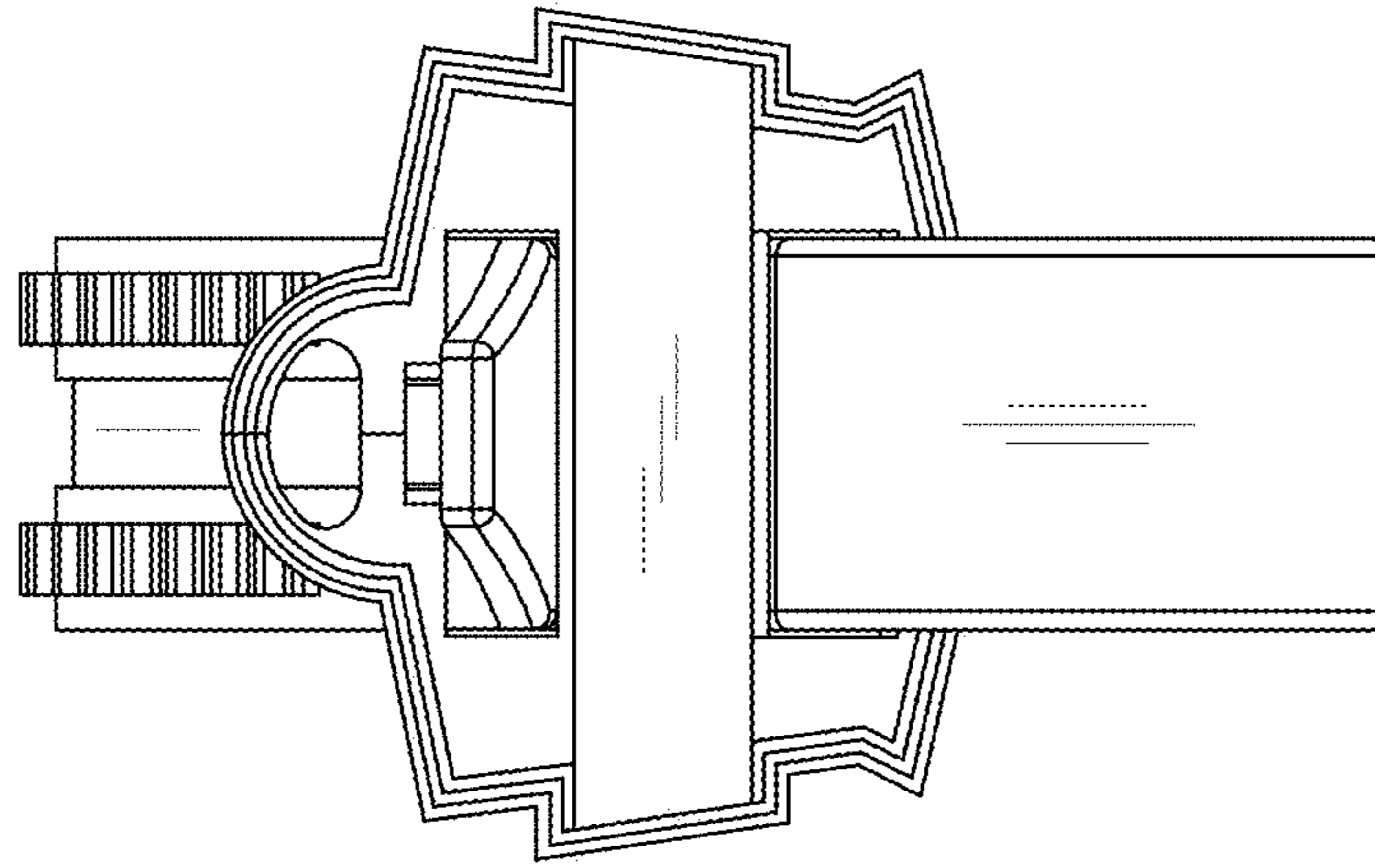


FIG. 15

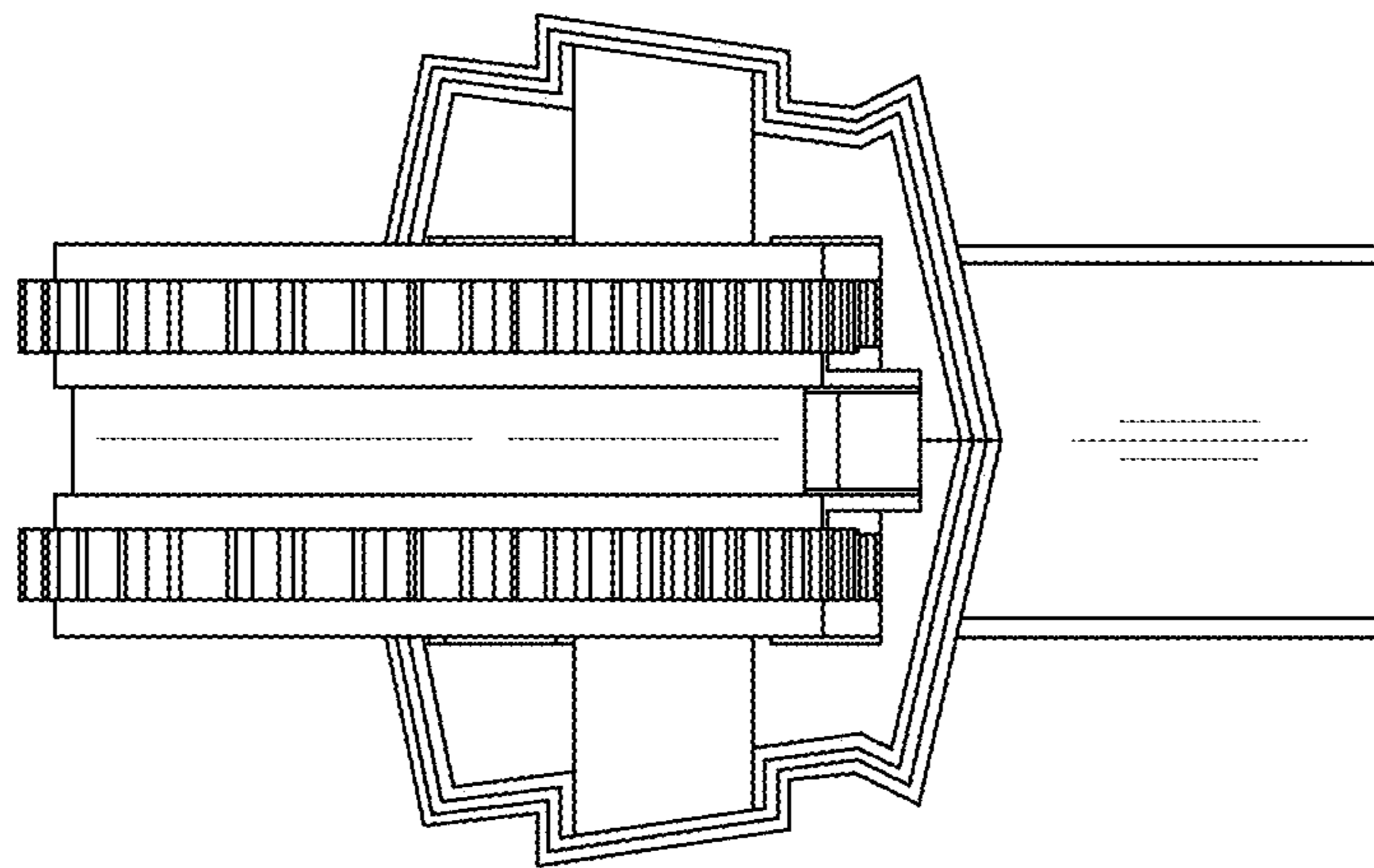


FIG. 16



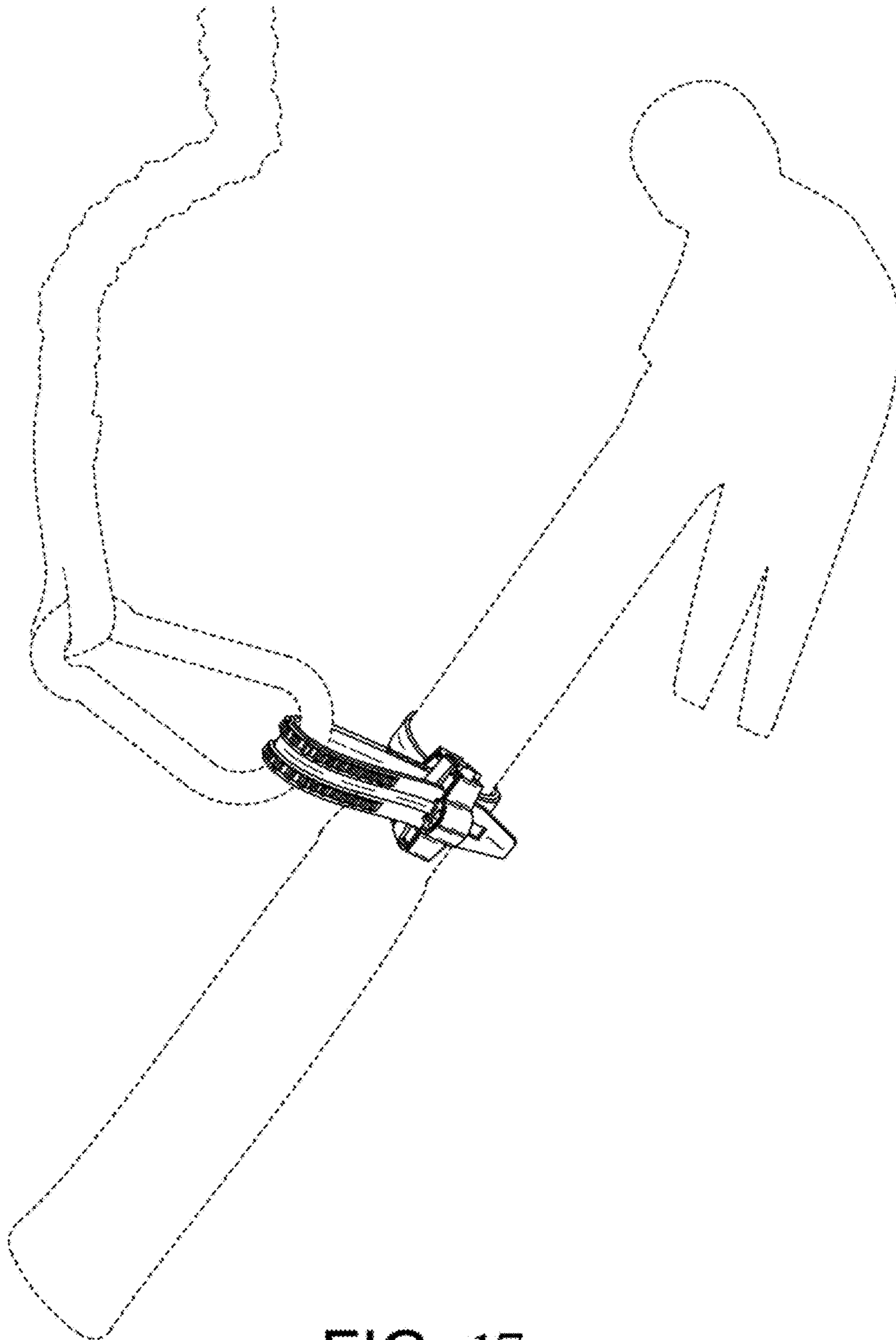


FIG. 17