



US00D835494S

(12) **United States Design Patent** (10) **Patent No.:** **US D835,494 S**
Loechel (45) **Date of Patent:** **** Dec. 11, 2018**

(54) **TIE DOWN CLEAT**
(71) Applicant: **Kevin Loechel**, Mooresville, IN (US)
(72) Inventor: **Kevin Loechel**, Mooresville, IN (US)
(**) Term: **15 Years**
(21) Appl. No.: **29/602,874**
(22) Filed: **May 4, 2017**
(51) **LOC (11) Cl.** **08-05**
(52) **U.S. Cl.**
USPC **D8/356**
(58) **Field of Classification Search**
USPC D8/349, 367, 382, 385, 356, 387;
D12/317, 223, 414, 406, 414.1
CPC B60D 1/28; B60D 1/485; B60P 7/0807;
B60P 7/08; B60P 7/06; B61D 45/00;
B61D 45/001; B60R 9/00; B60R
2011/0042; B60R 2011/0052
See application file for complete search history.

7,497,651 B2 * 3/2009 Harberts B60P 7/0815
410/101
D630,933 S * 1/2011 Marr, Jr. D8/356
8,529,176 B2 * 9/2013 Jutila B60P 7/0807
410/106
9,499,088 B1 * 11/2016 Fenchak B60P 7/0807
D808,890 S * 1/2018 Fenchak D12/414
D814,384 S * 4/2018 Richter D12/223
2005/0036848 A1 * 2/2005 Cunningham B60P 7/0815
410/104
2015/0102181 A1 * 4/2015 Hook F16M 13/02
248/68.1
2016/0123374 A1 * 5/2016 Roberts F16B 45/00
294/215
2016/0356297 A1 * 12/2016 Zavodnick F16B 13/0808
2018/0029846 A1 * 2/2018 Verbrugge B66C 1/66

* cited by examiner
Primary Examiner — Sandra S Snapp
Assistant Examiner — Ieisha Price
(74) *Attorney, Agent, or Firm* — Overhauser Law Offices
LLC

(56) **References Cited**

U.S. PATENT DOCUMENTS
2,758,440 A * 8/1956 Magid F41C 23/02
411/339
4,161,335 A * 7/1979 Nix B62D 25/2054
296/39.2
D258,264 S * 2/1981 Mareydt D12/414
4,457,653 A * 7/1984 Leib F16B 13/0808
411/342
D309,251 S * 7/1990 Palmer D8/354
D328,562 S * 8/1992 Lin D8/367
5,197,567 A * 3/1993 Rabalais F16B 13/0808
184/1.5
5,738,471 A * 4/1998 Zentner B60P 7/0807
410/101
D429,996 S * 8/2000 Fiorentino D8/356
6,592,310 B2 * 7/2003 Hyp B60P 7/0807
296/65.13

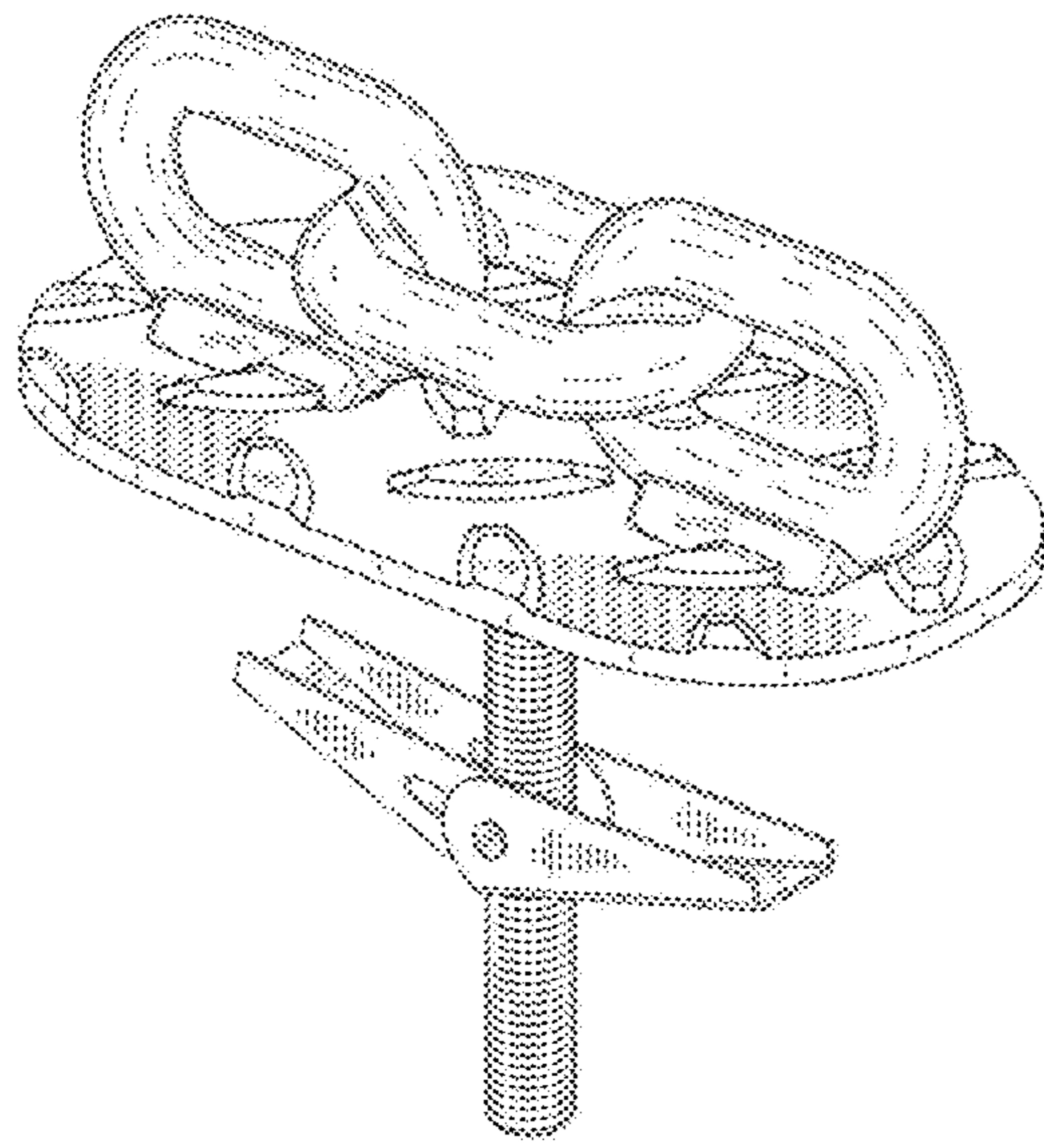
(57) **CLAIM**

The ornamental design for a tie down cleat, as shown and described.

DESCRIPTION

FIG. 1 is a perspective view of a tie down system according to the design, wherein the environmental elements of the bolt, wing nut, platform and links are shown;
FIG. 2 is a perspective view of the bottom thereof;
FIG. 3 is a front view thereof;
FIG. 4 is rear view thereof;
FIG. 5 is a side view thereof;
FIG. 6 is a side view thereof, illustrated from the side opposite that of FIG. 5;
FIG. 7 is a top view thereof; and,
FIG. 8 is a bottom view thereof.

1 Claim, 6 Drawing Sheets



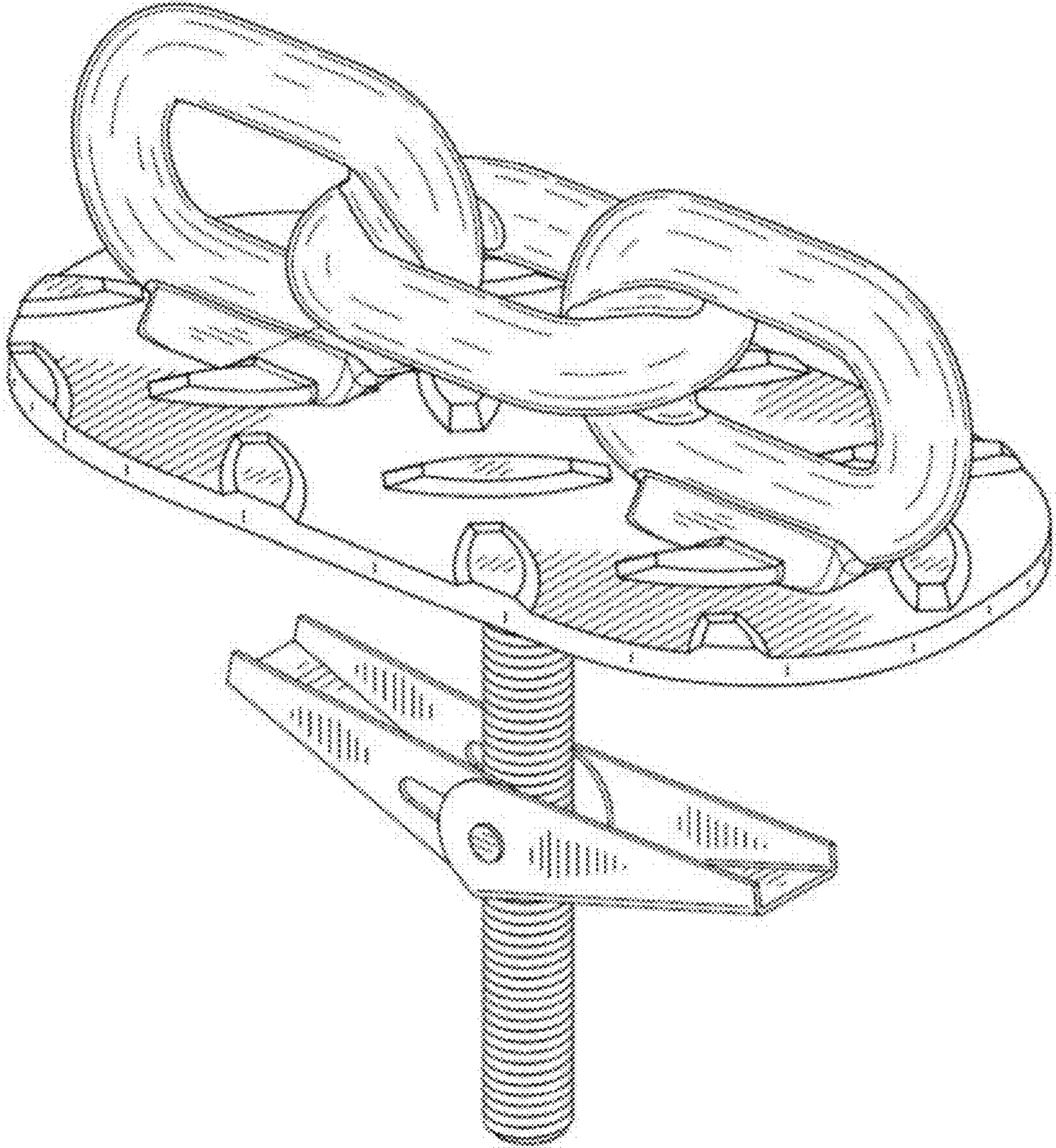


FIG. 1

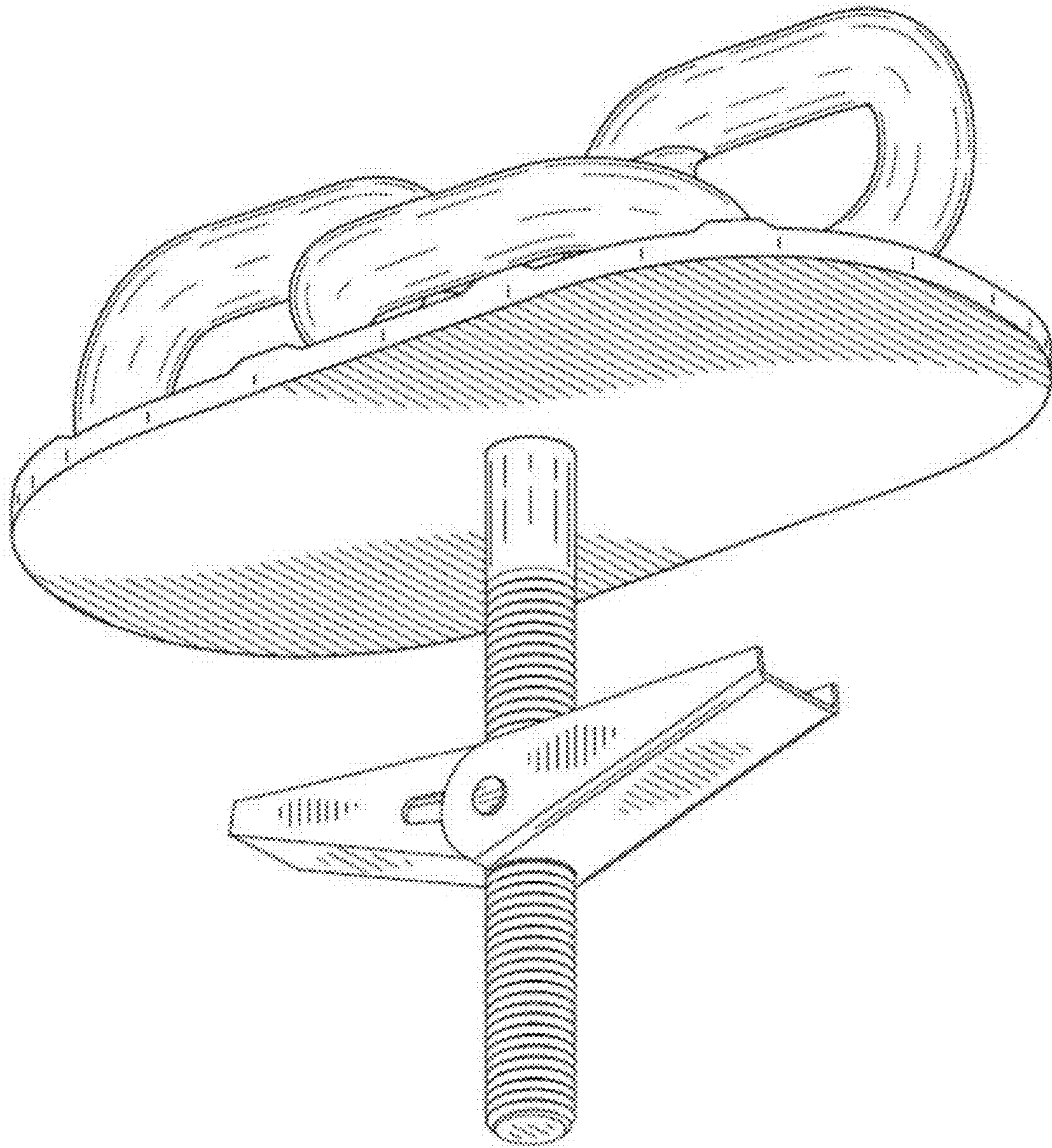


FIG. 2

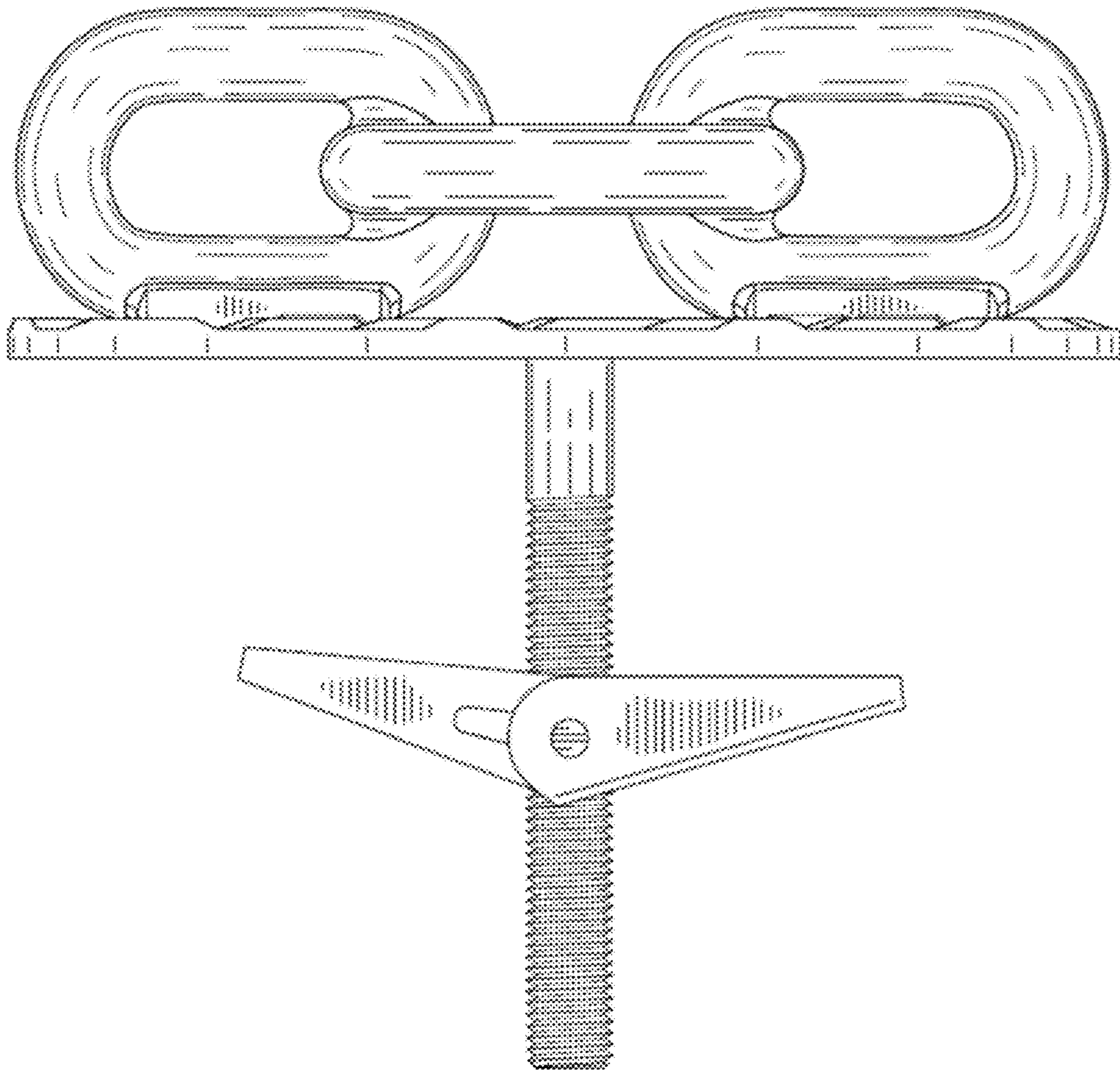


FIG. 3

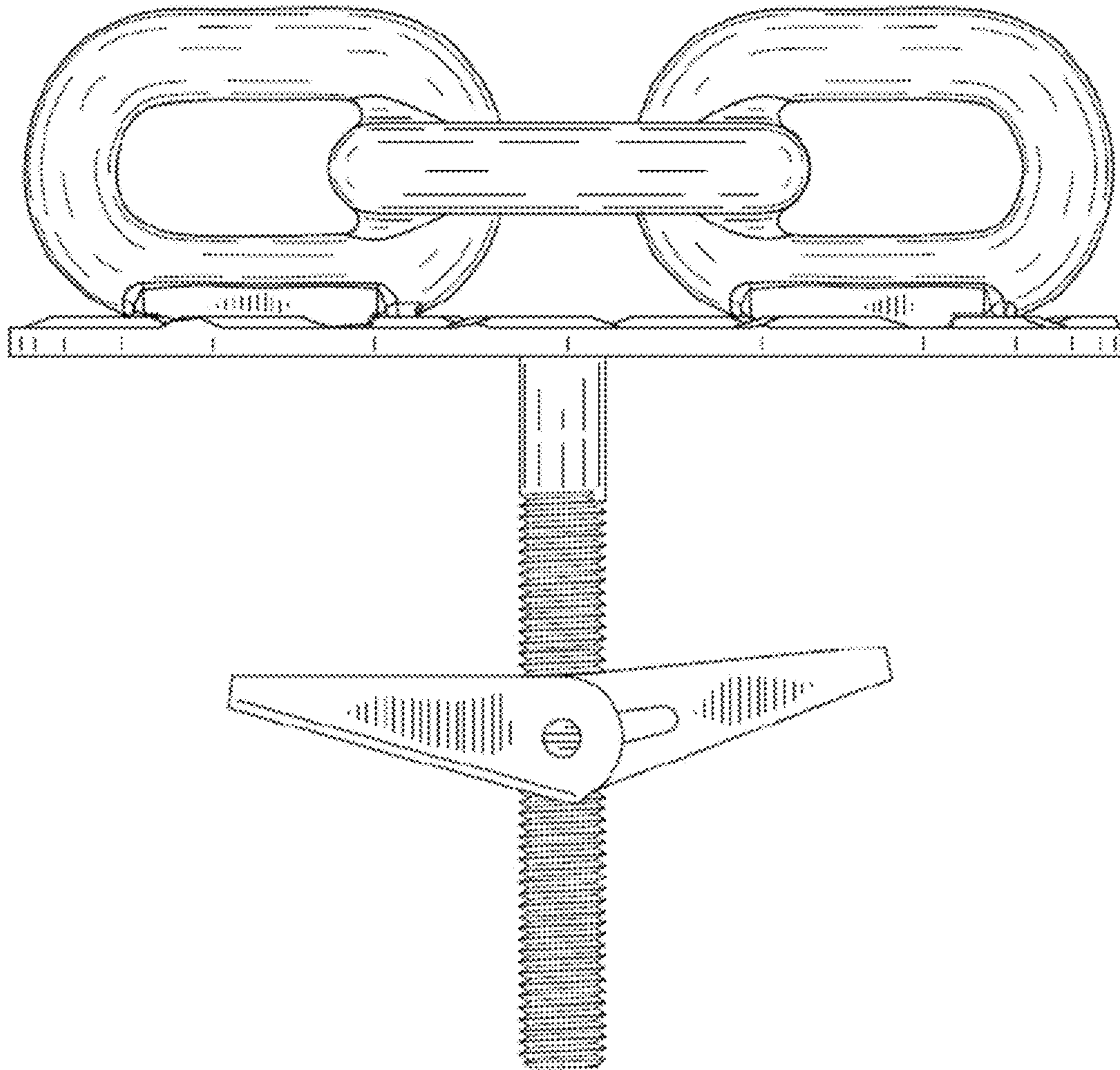


FIG. 4

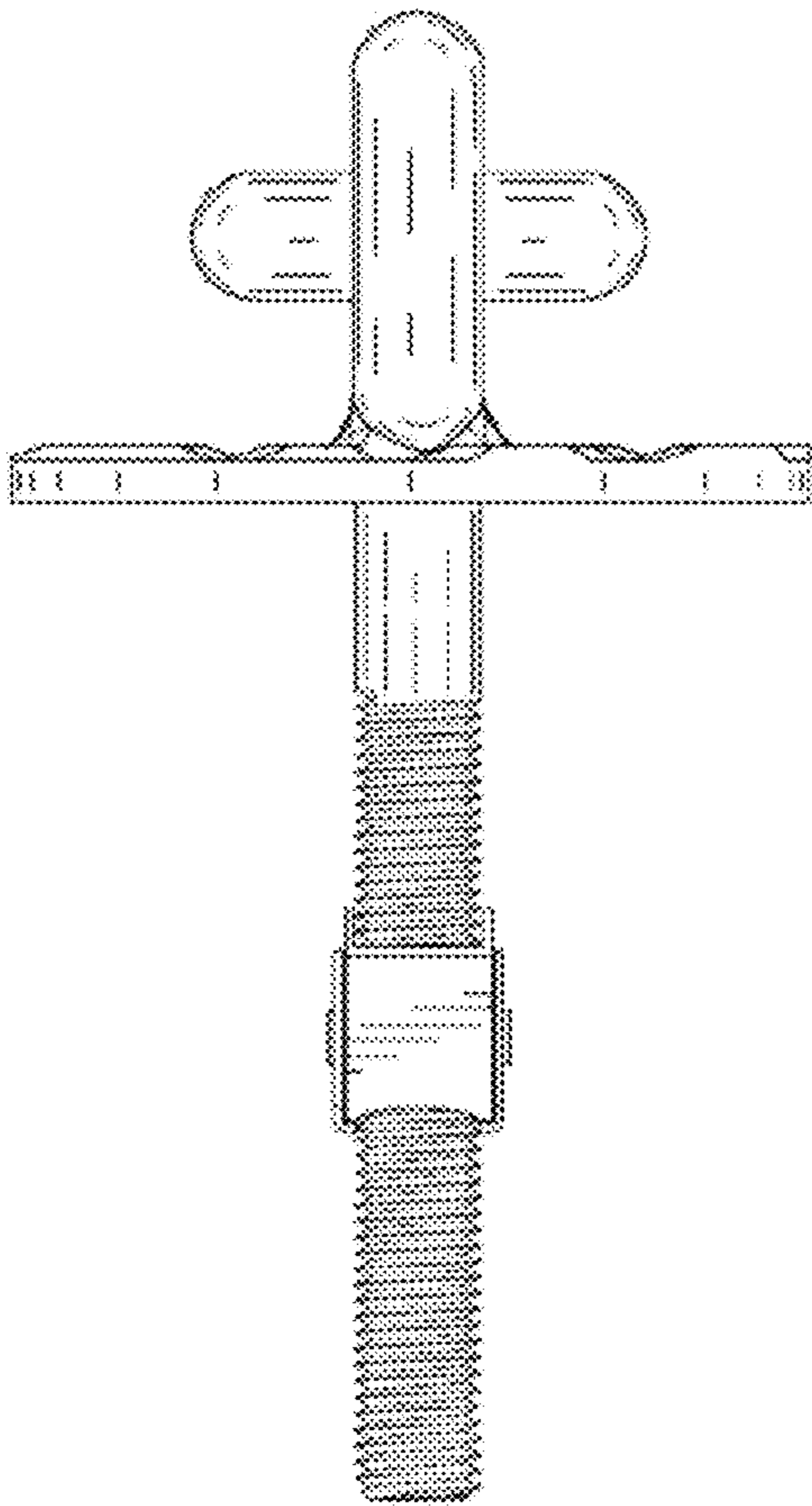


FIG. 5

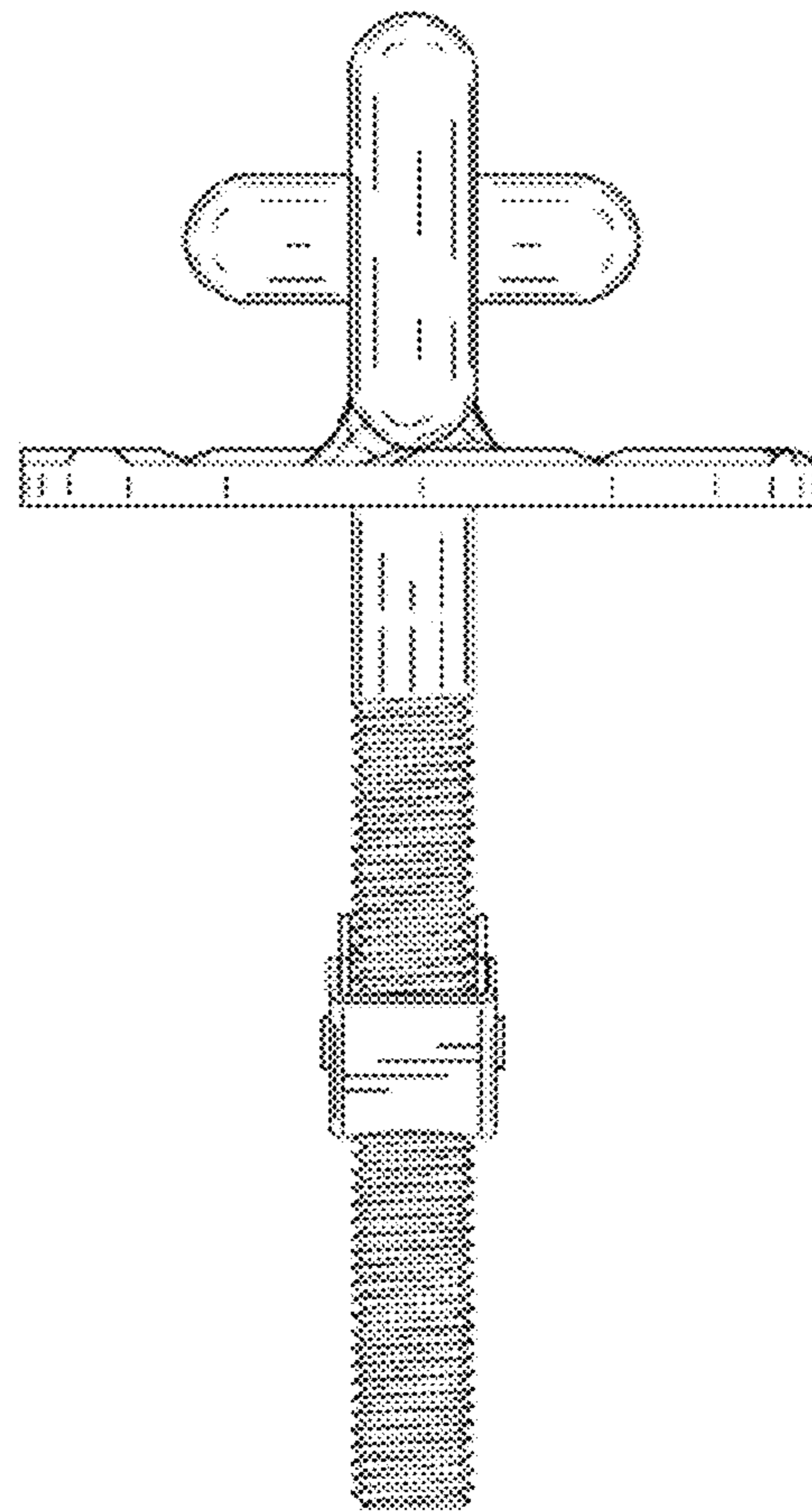


FIG. 6

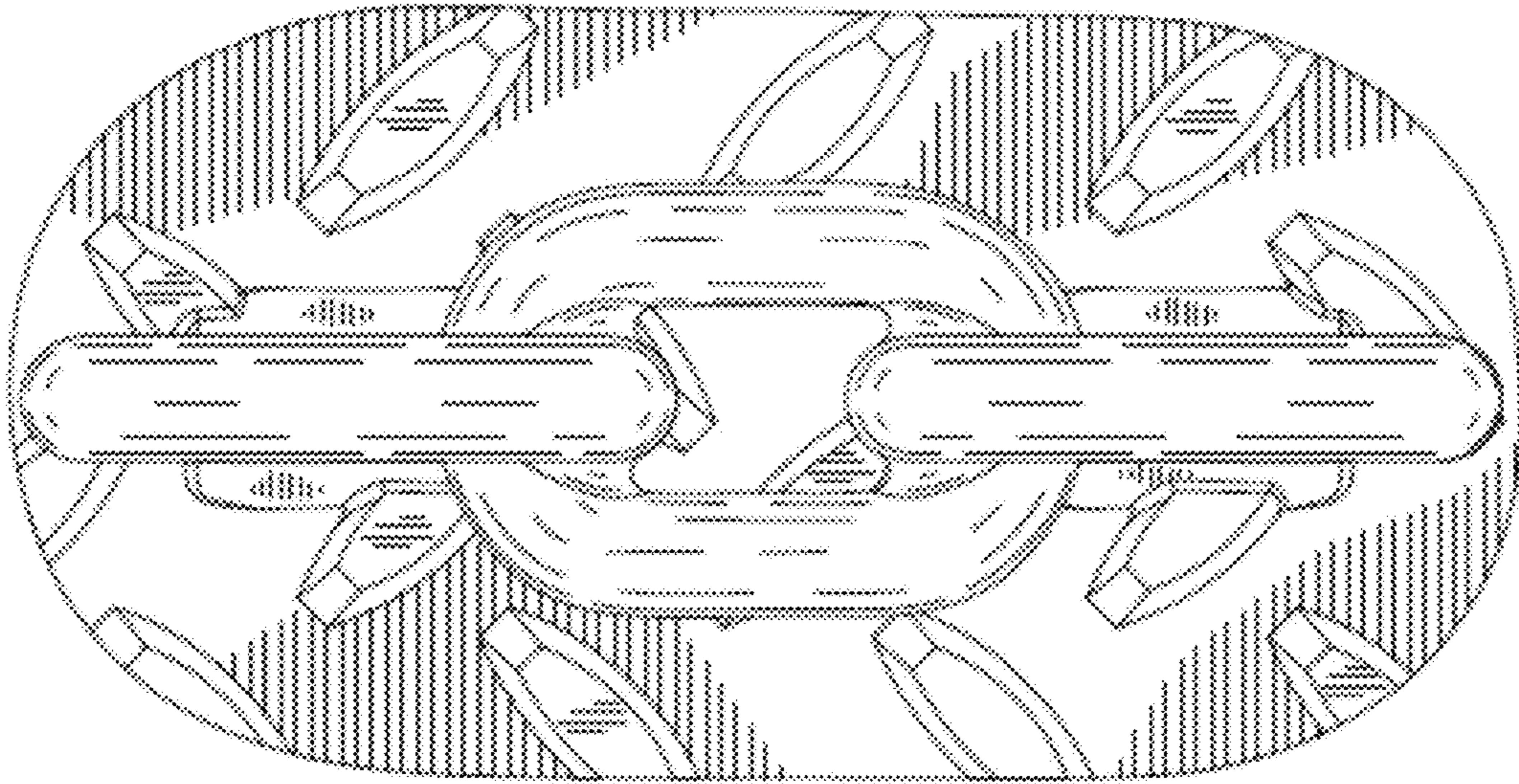


FIG. 7

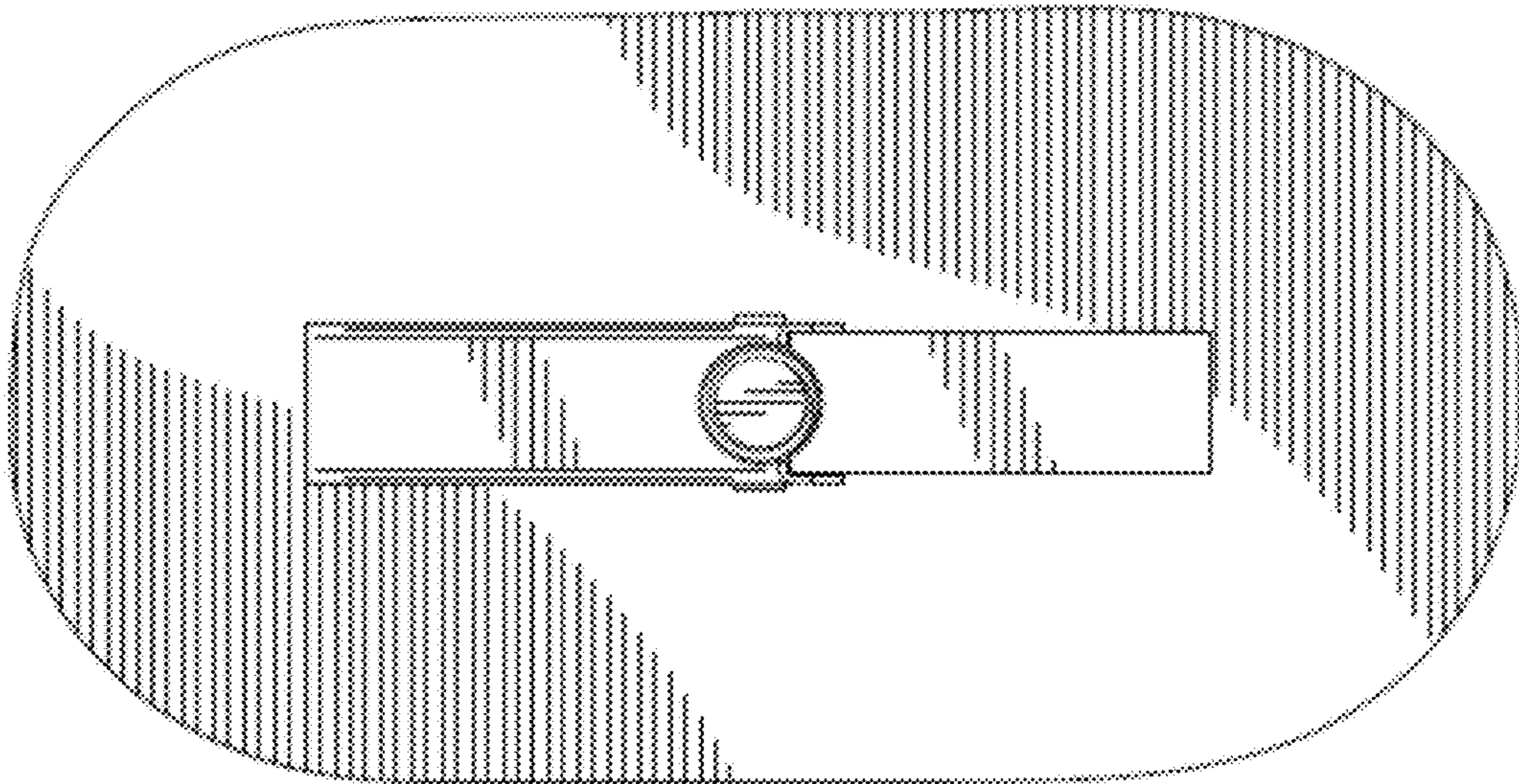


FIG. 8