



US00D835492S

(12) **United States Design Patent**
Mochizuki et al.

(10) **Patent No.:** **US D835,492 S**
(45) **Date of Patent:** **** Dec. 11, 2018**

(54) **SLIDE RAIL**

(71) Applicant: **THK CO., LTD.**, Tokyo (JP)

(72) Inventors: **Hiroaki Mochizuki**, Tokyo (JP); **Eiji Hosaka**, Tokyo (JP); **Hiroomi Kuribayashi**, Tokyo (JP); **Akito Kaneko**, Tokyo (JP); **Keisuke Hagiwara**, Tokyo (JP)

(73) Assignee: **THK CO., LTD.**, Tokyo (JP)

(**) Term: **15 Years**

(21) Appl. No.: **29/537,219**

(22) Filed: **Aug. 24, 2015**

(30) **Foreign Application Priority Data**

Feb. 24, 2015 (JP) 2015-003760

(51) **LOC (11) Cl.** **08-08**

(52) **U.S. Cl.**
USPC **D8/349**

(58) **Field of Classification Search**
USPC D8/349, 354, 355, 330, 380, 382, 394, D8/499
CPC .. F16C 2314/72; F16C 29/0623; F16C 29/06; F16C 29/0609; F16C 29/005; F16C 29/008; F16C 29/04; F16C 29/0657; F16C 29/004; F16C 29/12; A47B 1/10; A47B 88/493; A47B 88/423; A47B 2088/4235
See application file for complete search history.

(56) **References Cited**

U.S. PATENT DOCUMENTS

4,988,214 A * 1/1991 Clement A47B 88/493 312/333
D363,213 S * 10/1995 Real D8/400
5,678,928 A * 10/1997 Agari B23Q 1/0063 384/45

D393,164 S * 4/1998 Russell D25/119
6,682,218 B2 * 1/2004 Ishihara F16C 29/063 384/45
D506,381 S * 6/2005 Lu D8/349
(Continued)

OTHER PUBLICATIONS

Office Action dated Sep. 4, 2015, issued in counterpart Japanese application No. 2015-003760 (w/English translation) (4 pages).

Primary Examiner — Mark A Goodwin

(74) *Attorney, Agent, or Firm* — Westerman, Hattori, Daniels & Adrian, LLP

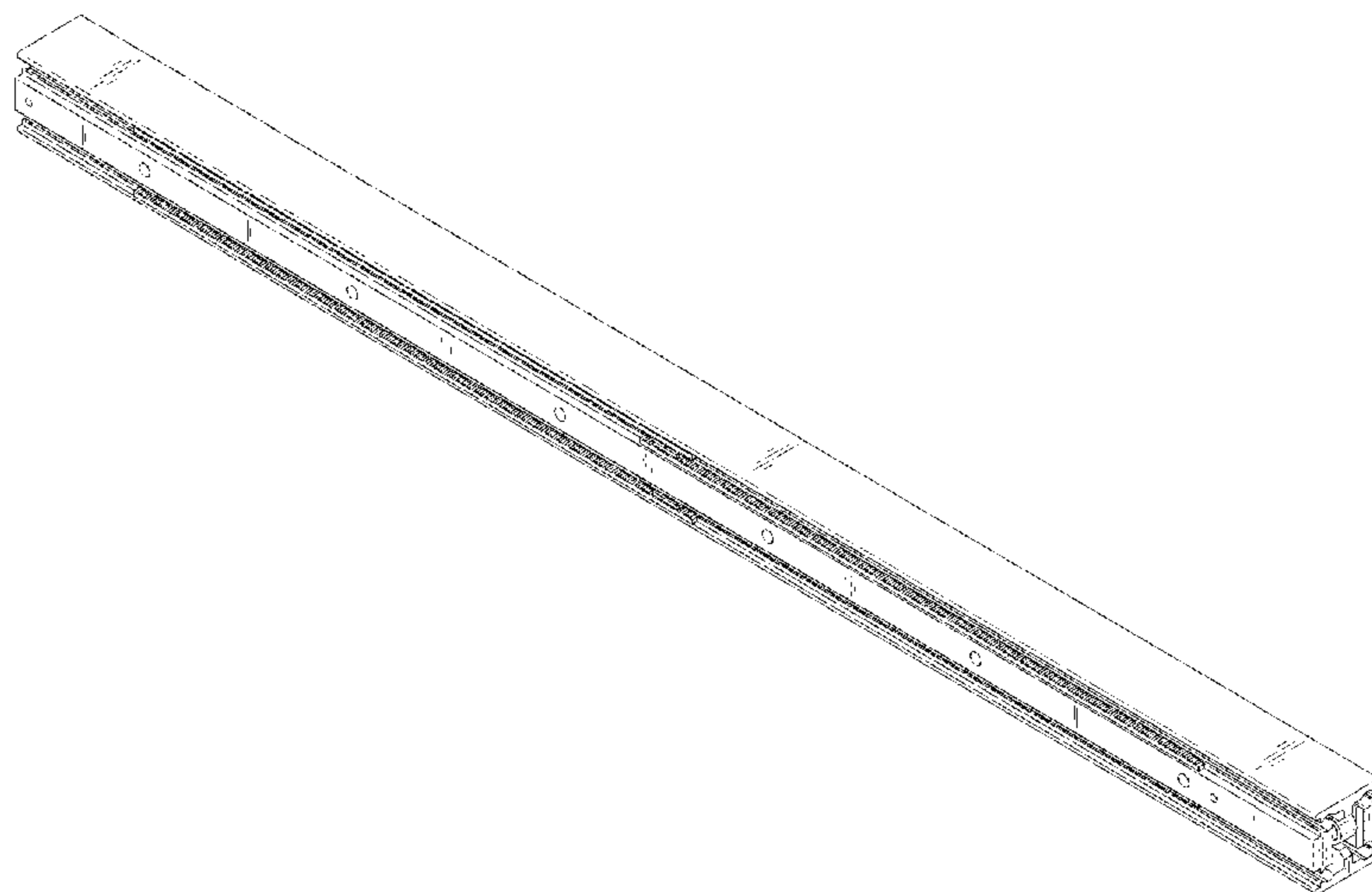
(57) **CLAIM**

The ornamental design for a slide rail, as shown and described.

DESCRIPTION

FIG. 1 is a front elevational view of a slide rail showing our new design.
FIG. 2 is a rear elevational view thereof.
FIG. 3 is a right side elevational view thereof.
FIG. 4 is a left side elevational view thereof.
FIG. 5 is a top plan view thereof.
FIG. 6 is a bottom plan view thereof.
FIG. 7 is a cross-sectional view thereof, taken along line 7-7 of FIG. 1.
FIG. 8 is a front, top, and right side perspective view thereof.
FIG. 9 is an enlarged reference view thereof, taken along line 9-9 of FIG. 1.
FIG. 10 is an enlarged reference view thereof, enlarging an area marked 10 in FIG. 9.
FIG. 11 is an enlarged right side elevational view thereof.
FIG. 12 is an enlarged left side elevational view thereof.
FIG. 13 is a perspective view thereof, showing the slide rail in use in a first alternate position; and,
FIG. 14 is a perspective view thereof, showing the slide rail in use in a second alternate position.

1 Claim, 14 Drawing Sheets



(56)

References Cited

U.S. PATENT DOCUMENTS

8,882,352 B2 * 11/2014 Aoki F16C 29/0642
384/45
9,234,544 B2 * 1/2016 Hsieh F16C 33/6674
9,279,539 B2 * 3/2016 Mochizuki F16C 29/004
D754,521 S * 4/2016 Konomoto D8/349
9,568,045 B2 * 2/2017 Mochizuki F16C 29/005
9,593,715 B2 * 3/2017 Mochizuki F16C 29/04
9,751,632 B2 * 9/2017 Mochizuki B64D 11/0696
9,777,768 B2 * 10/2017 Mochizuki F16C 29/06
2001/0022868 A1 * 9/2001 Teramach F16C 29/008
384/45
2009/0123096 A1 * 5/2009 Shirai F16C 29/0602
384/45
2009/0154850 A1 * 6/2009 Michioka F16C 29/002
384/54
2010/0031856 A1 * 2/2010 Shoda B60L 5/005
108/21
2010/0080496 A1 * 4/2010 Mochizuki F16C 29/005
384/45
2014/0079346 A1 * 3/2014 Chung F16C 33/3843
384/18
2014/0166691 A1 * 6/2014 Chen G07F 11/38
221/279
2015/0104122 A1 * 4/2015 Horie F16C 29/0609
384/43
2015/0369280 A1 * 12/2015 Mochizuki F16C 29/04
384/49
2016/0128472 A1 * 5/2016 Ng F16C 29/005
384/18
2018/0172071 A1 * 6/2018 Kuribayashi F16C 29/12

* cited by examiner

Fig. 2

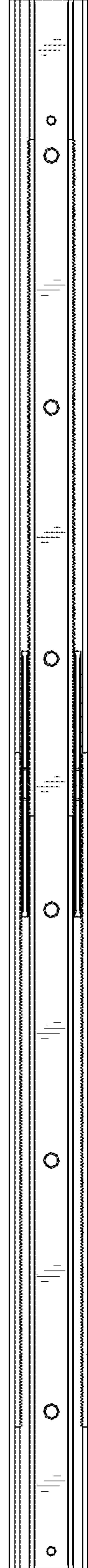


Fig. 3

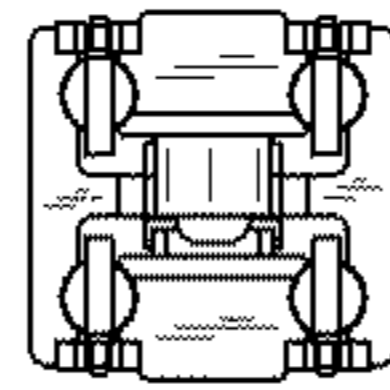


Fig. 4

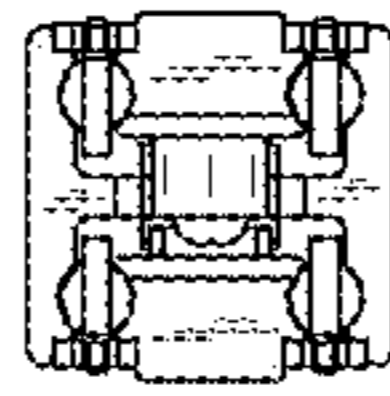


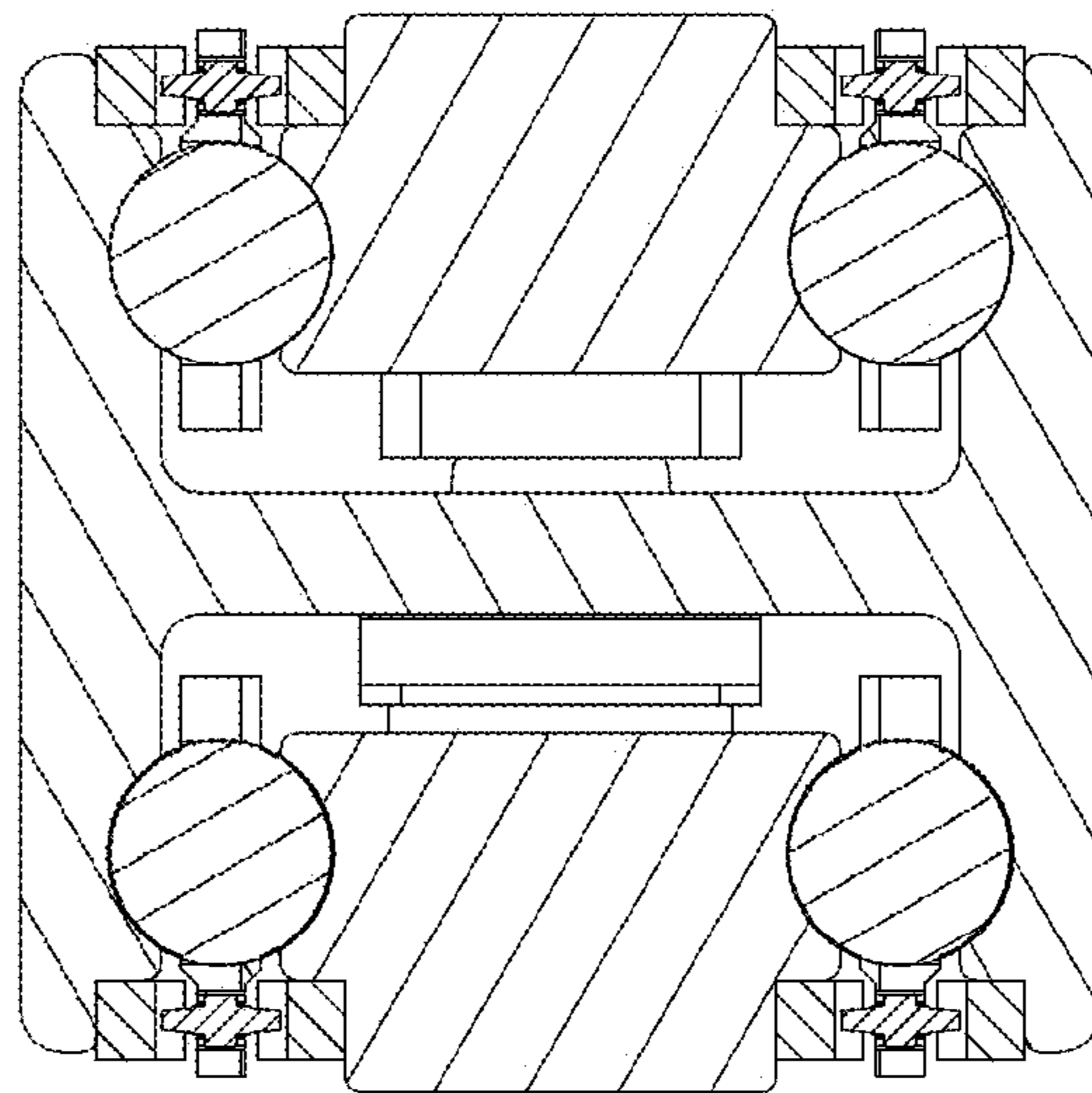
Fig. 5



Fig. 6



Fig. 7



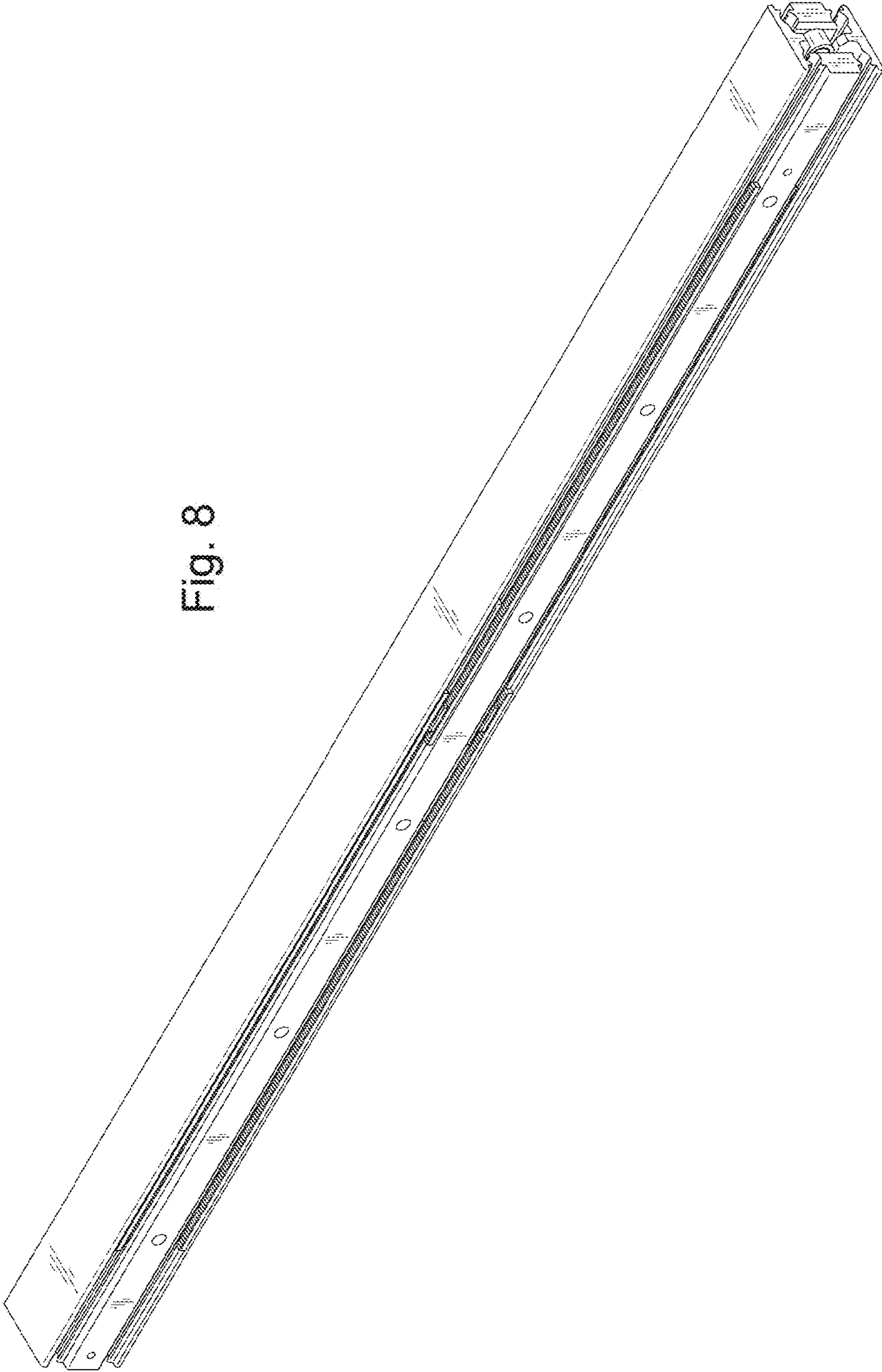


Fig. 8

Fig. 9

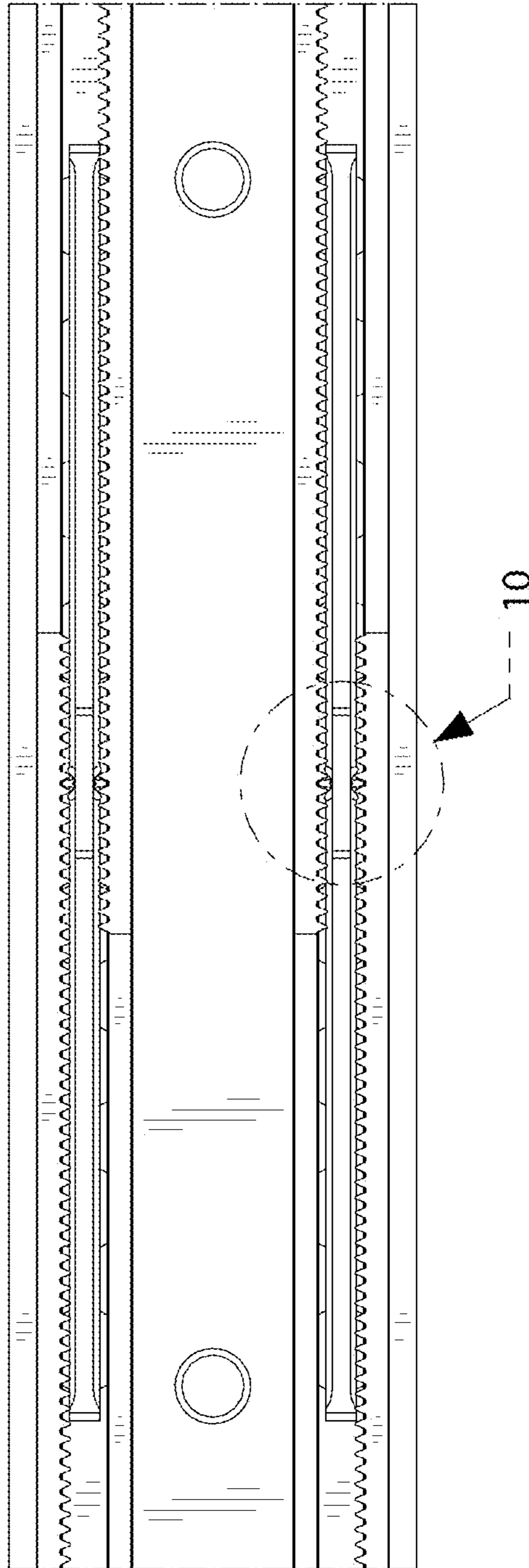


Fig. 10

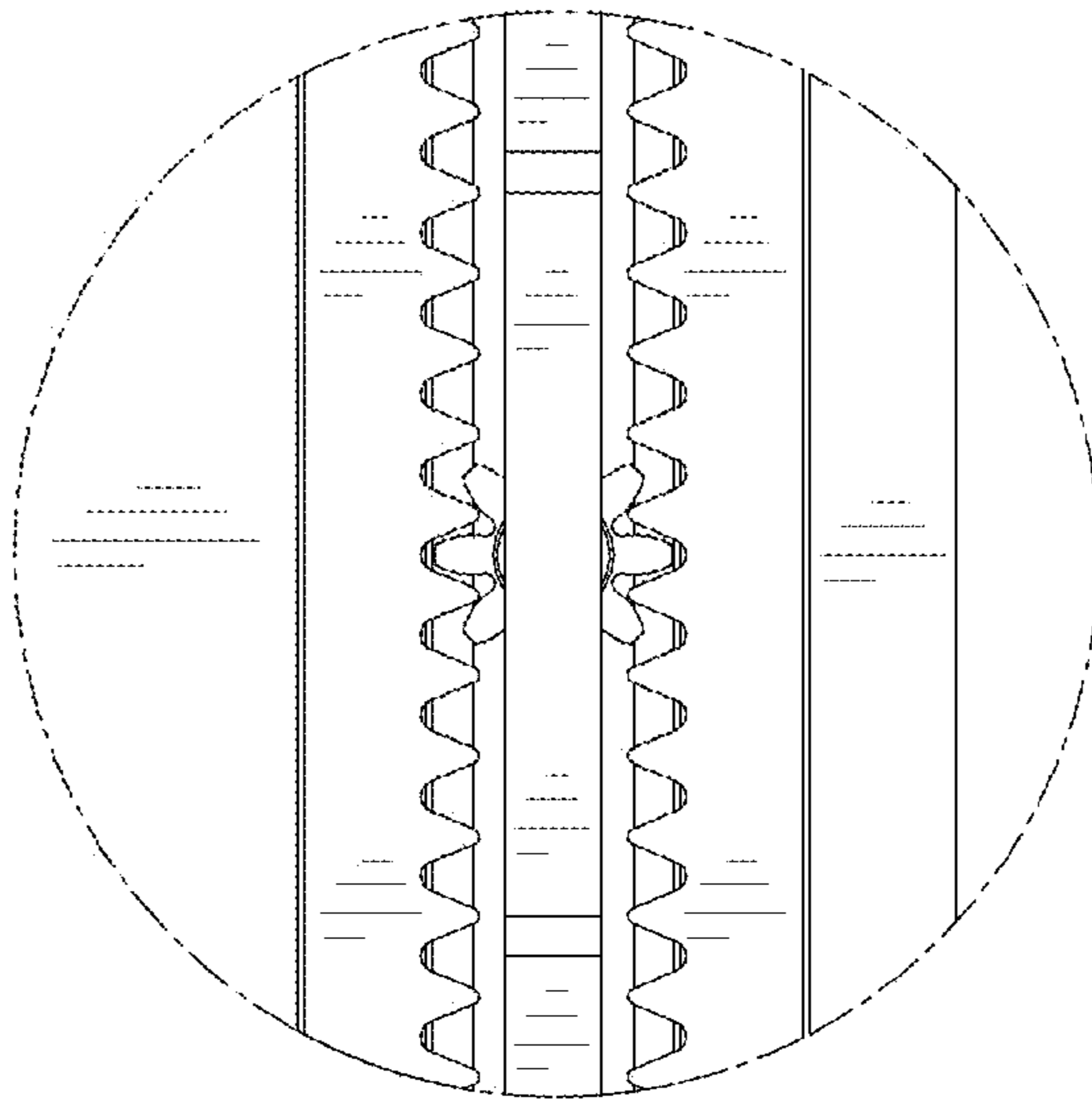


Fig. 11

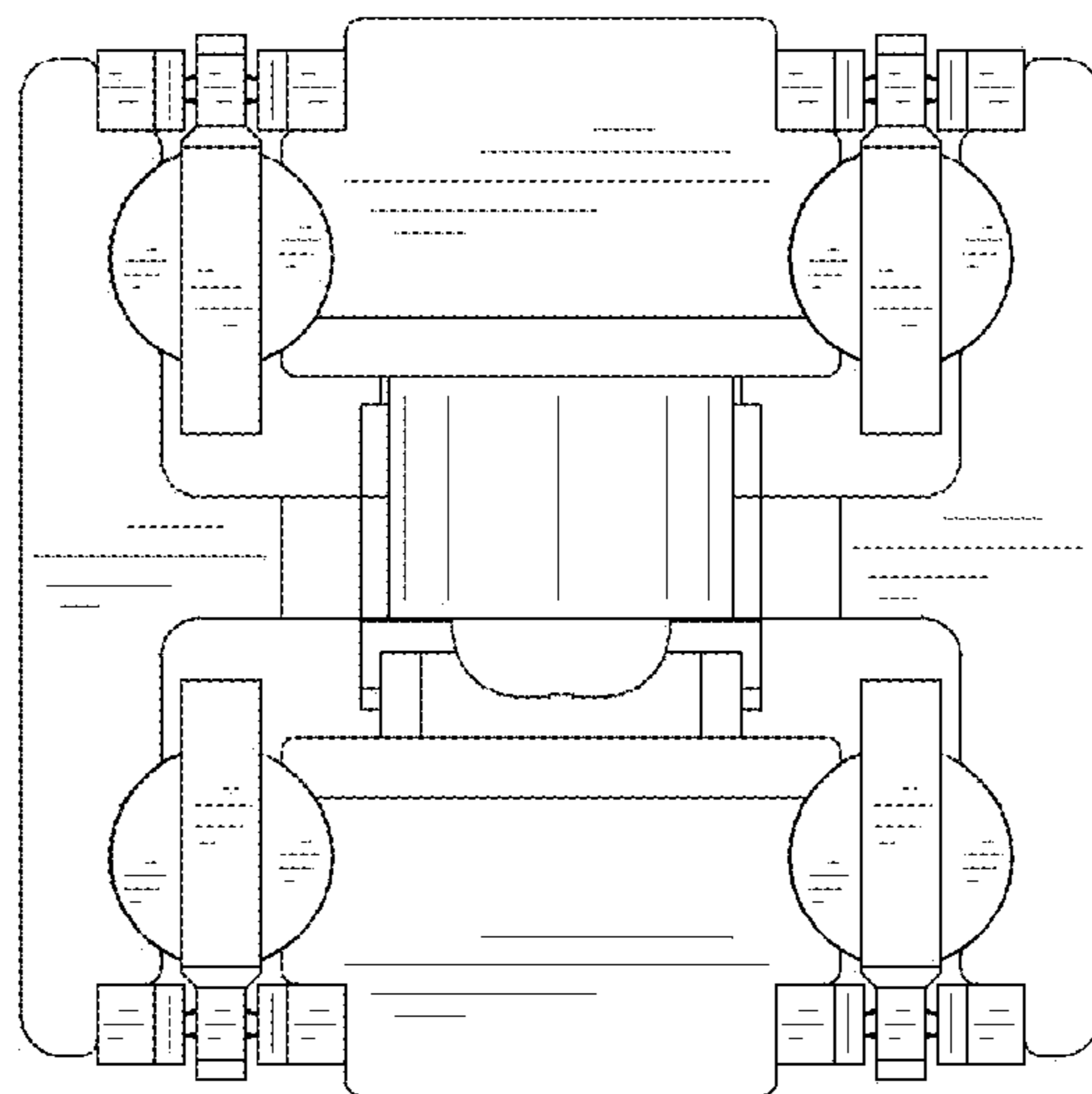
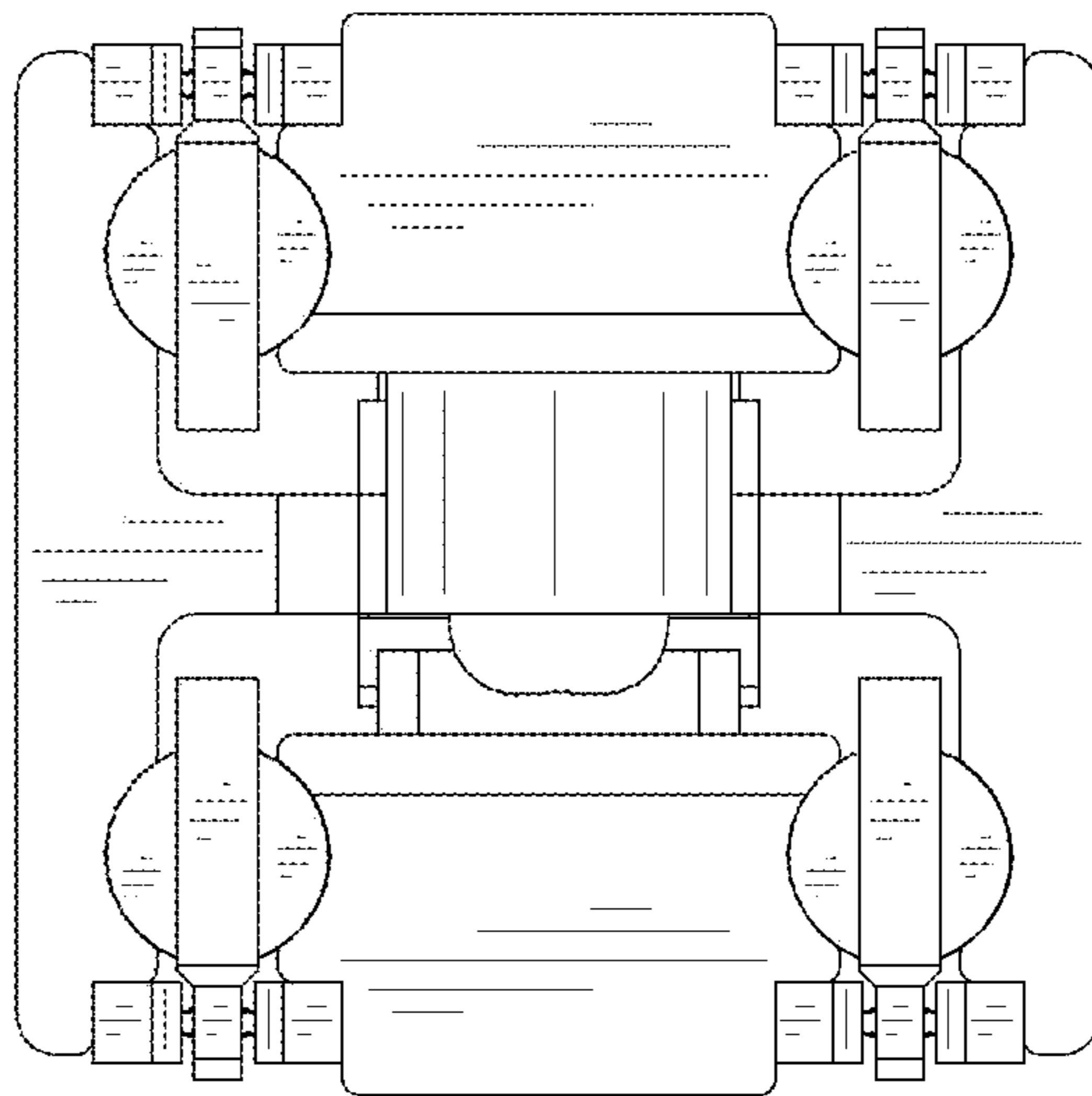


Fig. 12



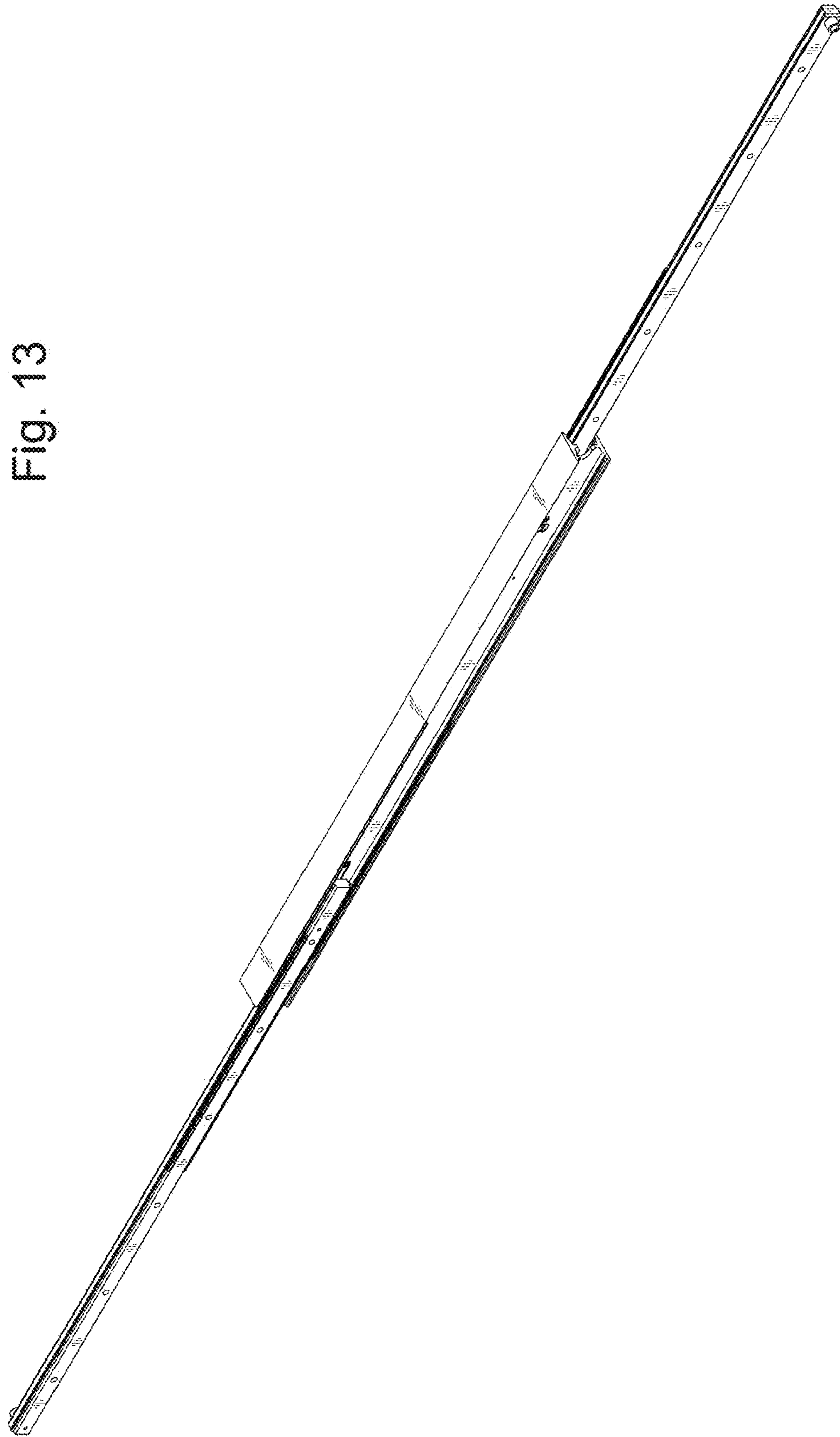


Fig. 13

Fig. 14

