



US00D835489S

(12) **United States Design Patent** (10) **Patent No.:** **US D835,489 S**  
**Stokes et al.** (45) **Date of Patent:** **\*\* Dec. 11, 2018**

(54) **DEMOLITION TOOL**  
(71) Applicant: **Fiskars Brands, Inc.**, Middleton, WI (US)  
(72) Inventors: **Steve Stokes**, Fitchburg, WI (US);  
**Colin Roberts**, Madison, WI (US);  
**Aaron Honadel**, Verona, WI (US)  
(73) Assignee: **Fiskars Brands, Inc.**, Middleton, WI (US)  
(\*\*) Term: **15 Years**  
(21) Appl. No.: **29/575,879**  
(22) Filed: **Aug. 30, 2016**  
(51) **LOC (11) Cl.** ..... **08-02**  
(52) **U.S. Cl.**  
USPC ..... **D8/81**  
(58) **Field of Classification Search**  
CPC ... B25D 1/00; B25D 1/02; B25D 1/04; B25D 1/045; B25D 1/06; B25D 1/12; B25G 1/01; B25G 1/02; B25G 1/102; B25F 1/00  
See application file for complete search history.

D507,167 S 7/2005 Richardson  
7,066,052 B2 6/2006 Chen  
D562,101 S 2/2008 Martone et al.  
D567,620 S 4/2008 Martone et al.  
D572,106 S 7/2008 Chen  
D577,273 S 9/2008 Chen  
D577,274 S 9/2008 Chen  
D577,978 S 10/2008 Chen  
D588,894 S 3/2009 Chen  
D590,230 S 4/2009 Martone et al.  
D595,555 S 7/2009 Vanderbeek  
D605,020 S 12/2009 Martone et al.  
D626,396 S 11/2010 Gehman et al.  
7,874,231 B2 1/2011 Hanlon  
D637,058 S 5/2011 Gehman et al.  
8,024,994 B2 9/2011 St. John et al.  
8,056,443 B2 11/2011 Hanlon  
8,117,702 B2 2/2012 Woolley et al.  
8,387,486 B2 3/2013 Hanlon  
8,458,838 B2 6/2013 Trice

(Continued)

*Primary Examiner* — Philip S Hyder  
(74) *Attorney, Agent, or Firm* — Foley & Lardner LLP

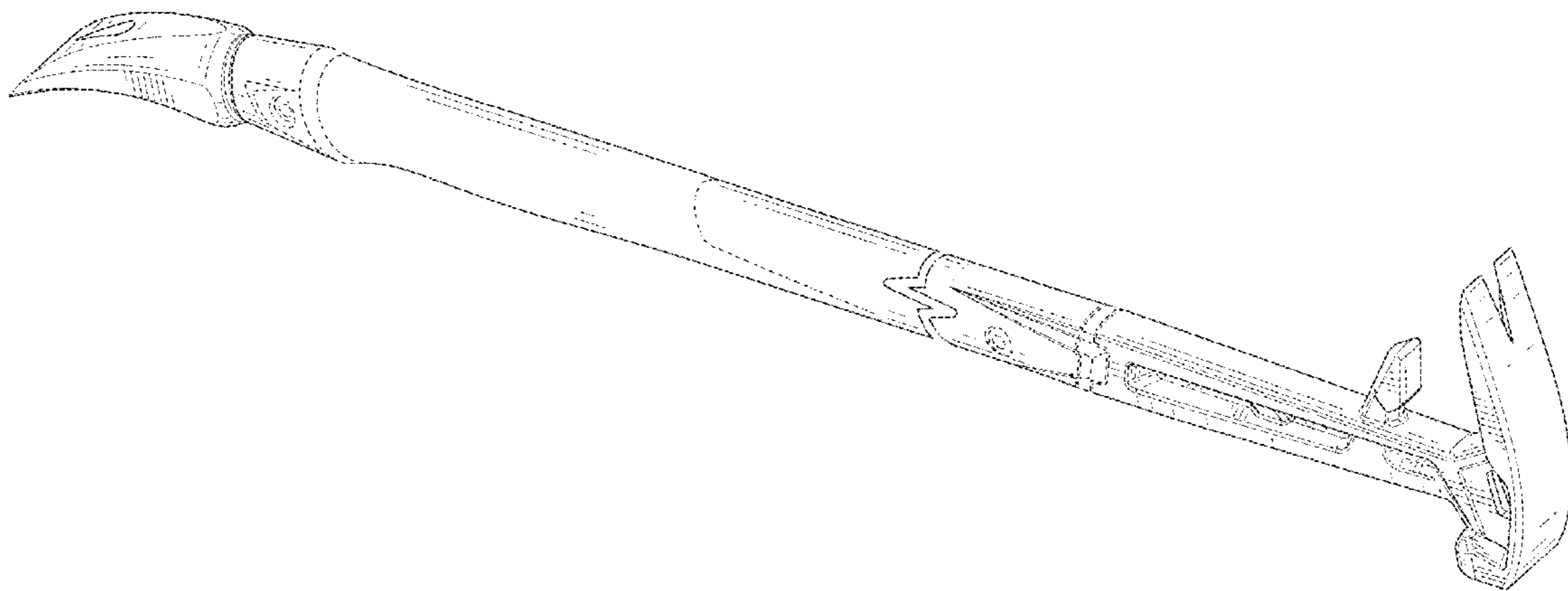
(57) **CLAIM**  
We claim the ornamental design for a demolition tool, as shown and described.

**DESCRIPTION**

FIG. 1 is a front perspective view of an embodiment of the claimed design;  
FIG. 2 is a right side view thereof;  
FIG. 3 is a left side view thereof;  
FIG. 4 is a front view thereof;  
FIG. 5 is a rear view thereof;  
FIG. 6 is a top view thereof; and,  
FIG. 7 is a bottom view thereof.  
The broken lines depict portions of the demolition tool in which the design is embodied that are not considered part of the claimed design.

**1 Claim, 4 Drawing Sheets**

(56) **References Cited**  
U.S. PATENT DOCUMENTS  
4,155 A 8/1845 Anderson  
499,322 A 6/1893 Heckert  
513,271 A 1/1894 Matthews  
1,469,472 A 10/1923 Bangert  
3,219,316 A 11/1965 Fried  
3,705,430 A 12/1972 Ziaylek, Jr.  
D300,111 S 3/1989 Square  
5,428,853 A 7/1995 Menke et al.  
D390,082 S 2/1998 Higgs  
5,850,650 A 12/1998 Karsnia  
D449,770 S 10/2001 Chen



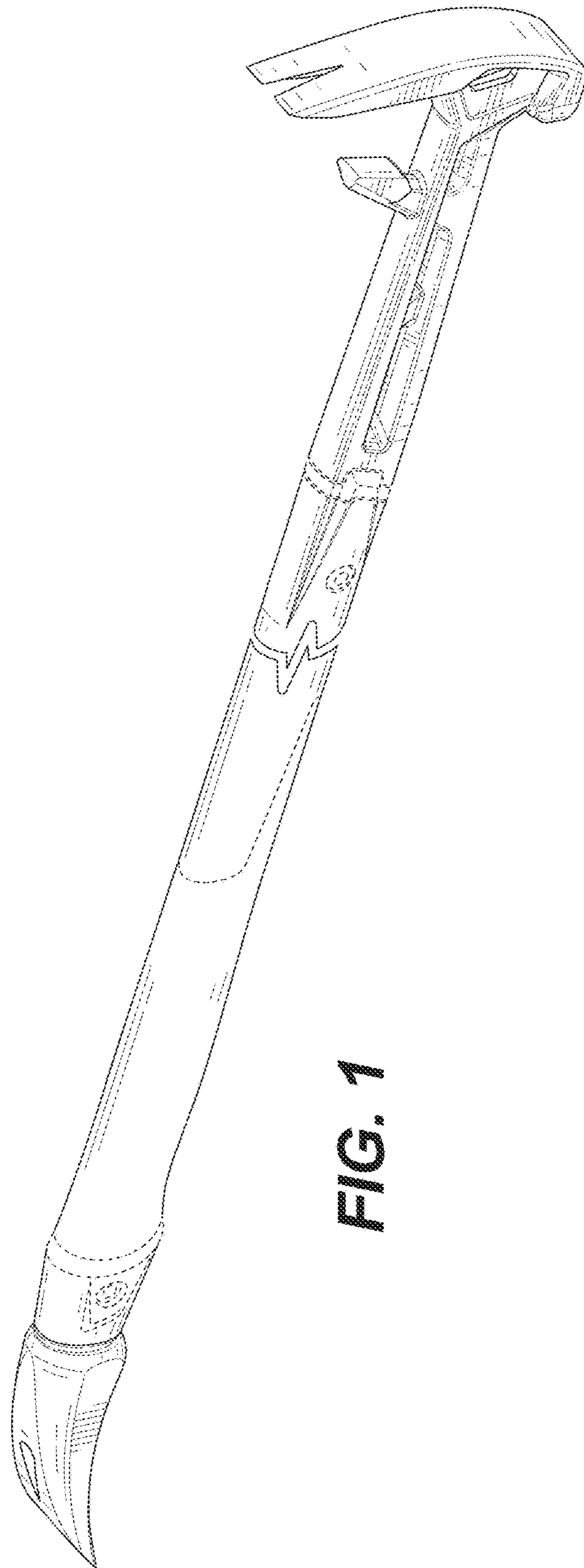
(56)

**References Cited**

U.S. PATENT DOCUMENTS

8,585,016 B2 11/2013 Woolley et al.  
8,661,592 B2 3/2014 Trice  
8,770,548 B2\* 7/2014 Hanlon ..... B25D 1/06  
254/26 R  
8,914,929 B2 12/2014 Hanlon  
D747,943 S \* 1/2016 Hung ..... D8/75  
D752,940 S \* 4/2016 Deng ..... D8/81  
D770,254 S \* 11/2016 Honadel ..... D8/75  
D770,875 S \* 11/2016 Honadel ..... D8/75  
D789,760 S \* 6/2017 Hung ..... D8/75  
2009/0271929 A1 11/2009 Adams et al.  
2010/0043149 A1 2/2010 Chen

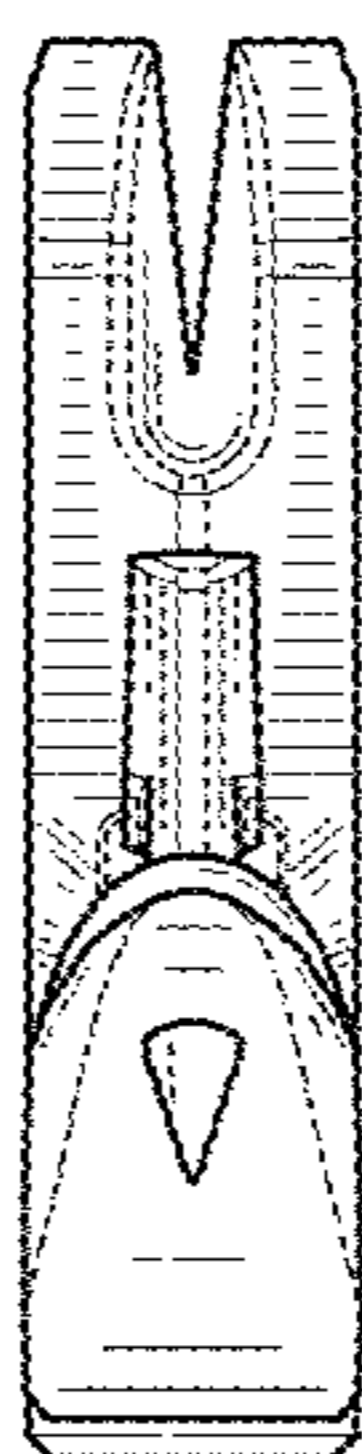
\* cited by examiner



**FIG. 1**

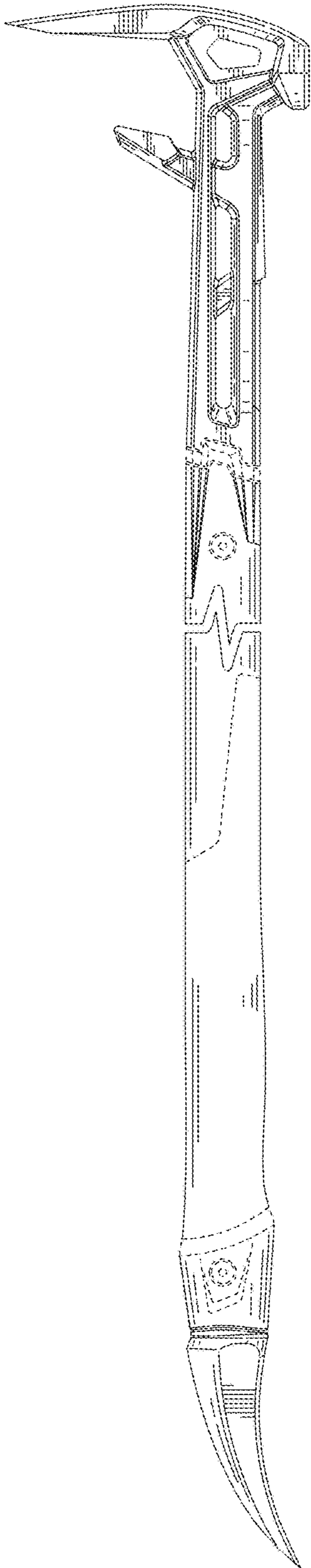


**FIG. 2**

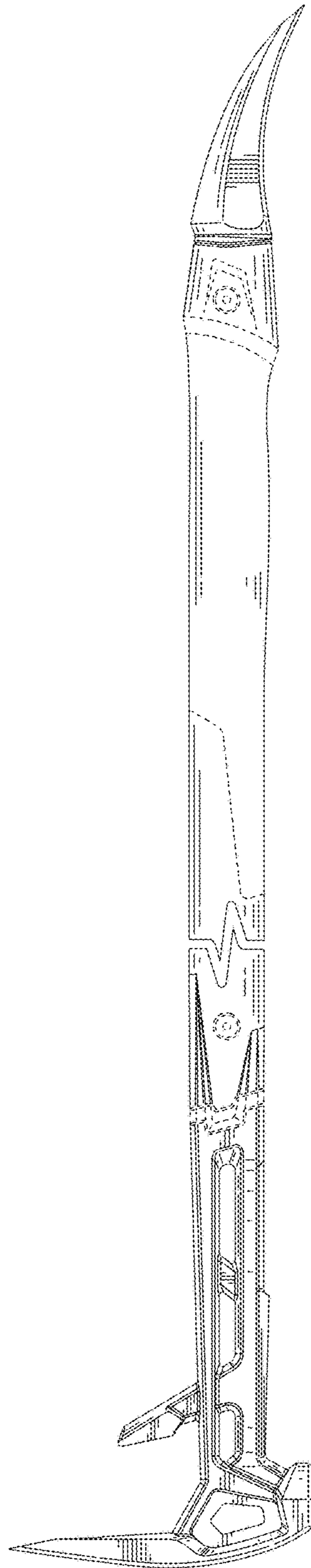


**FIG. 3**

**FIG. 4**

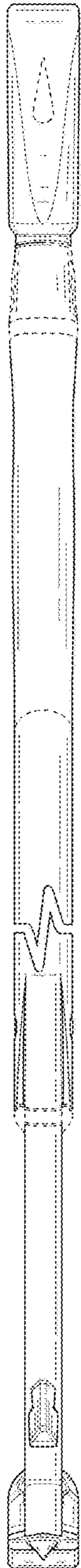


**FIG. 5**





**FIG. 6**



**FIG. 7**

