



US00D835487S

(12) **United States Design Patent** (10) **Patent No.:** **US D835,487 S**  
**Wason et al.** (45) **Date of Patent:** **\*\* Dec. 11, 2018**

(54) **HANDLE FOR IN-LINE POWER TOOLS**  
(71) Applicant: **Hubbell Incorporated**, Shelton, CT (US)  
(72) Inventors: **Peter Matthew Wason**, Manchester, NH (US); **Paul Silva**, Londonerry, NH (US)  
(73) Assignee: **Hubbell Incorporated**, Shelton, CT (US)

D709,748 S \* 7/2014 Frenken ..... D8/61  
D710,173 S \* 8/2014 Frenken ..... D8/61  
D734,112 S \* 7/2015 Herault ..... D8/61  
D767,959 S \* 10/2016 Sokat ..... D8/61  
D767,960 S \* 10/2016 Haneishi ..... D8/61  
D774,858 S \* 12/2016 Stucki ..... D8/61  
D779,902 S \* 2/2017 Sokat ..... D8/61  
2006/0272381 A1 12/2006 Ayer et al.  
2007/0256554 A1 11/2007 Montminy et al.  
2008/0087064 A1 4/2008 Lefavour et al.  
2009/0031779 A1 2/2009 Lefavour et al.  
2010/0107843 A1 5/2010 Lefavour et al.

(\*\*) Term: **15 Years**

\* cited by examiner

(21) Appl. No.: **29/604,081**

*Primary Examiner* — Austin Murphy

(22) Filed: **May 15, 2017**

(74) *Attorney, Agent, or Firm* — Wissing Miller LLP

(51) **LOC (11) Cl.** ..... **08-05**

(52) **U.S. Cl.**  
USPC ..... **D8/61**

(57) **CLAIM**

The ornamental design for a handle for in-line power tools, as shown and described.

(58) **Field of Classification Search**  
USPC ..... D8/70, 82, 85–87, 105; D15/139; 81/436, 460–461  
CPC ..... B25B 13/06; B25B 13/5091; B25B 15/00; B25B 15/001; B25B 15/002; B25B 15/004; B25B 15/005; B25B 15/008; B25B 15/02; B25B 15/04; B25B 17/00; B25B 21/007; B25B 23/00; B25B 23/0035; B25B 23/005; B25B 23/12; B25B 23/1405; B25B 27/18; B25B 31/12; B25B 51/08; B25B 51/108; B25B 2251/66; B23P 15/00  
See application file for complete search history.

**DESCRIPTION**

FIG. 1 is a front, first side perspective view of the new design for a handle for in-line power tools in accordance with the present invention;  
FIG. 2 is a side elevation view of the first side of the handle for in-line power tools shown in FIG. 1;  
FIG. 3 is a side elevation view of a second side of the handle for in-line power tools shown in FIG. 1;  
FIG. 4 is a top plan view of the handle for in-line power tools shown in FIG. 1;  
FIG. 5 is a bottom plan view of the handle for in-line power tools shown in FIG. 1;  
FIG. 6 is a front elevational view of the handle for in-line power tools shown in FIG. 1; and,  
FIG. 7 is a rear elevational view of the handle for in-line power tools shown in FIG. 1.

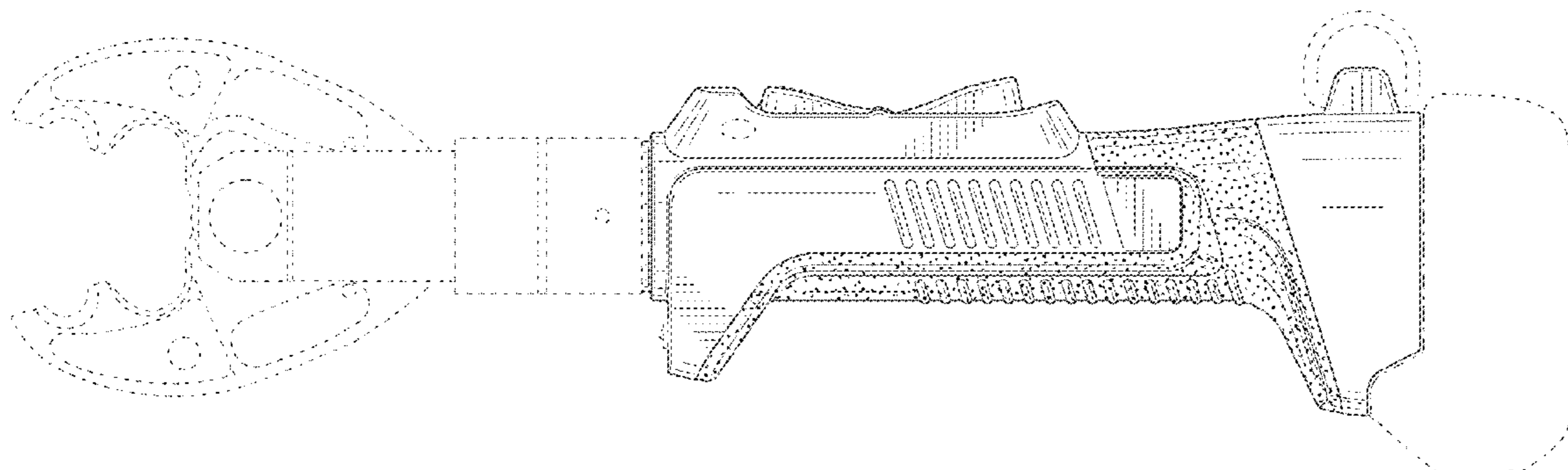
The broken lines within the various embodiments of the claimed design and the spaces therein are for environmental purposes only and form no part of the claimed design.

(56) **References Cited**

U.S. PATENT DOCUMENTS

7,464,578 B2 12/2008 Ayer et al.  
D657,220 S \* 4/2012 Isobe ..... D8/61  
D657,221 S \* 4/2012 Isobe ..... D8/61  
D673,829 S \* 1/2013 Takeshima ..... D8/61  
D696,090 S \* 12/2013 Takeshima ..... D8/61

**1 Claim, 6 Drawing Sheets**



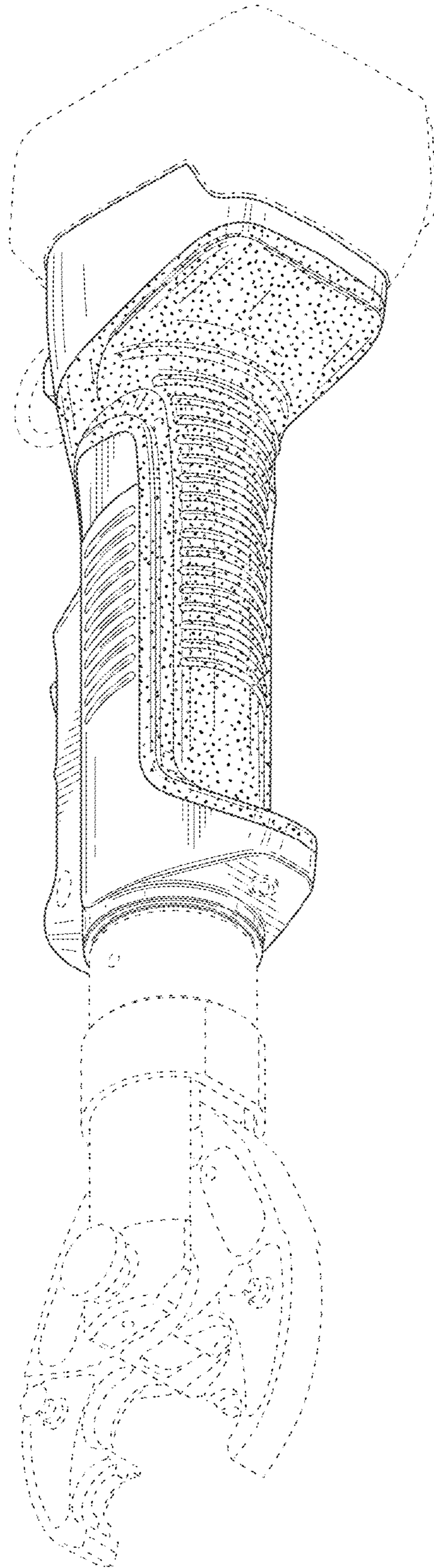


FIG. 1

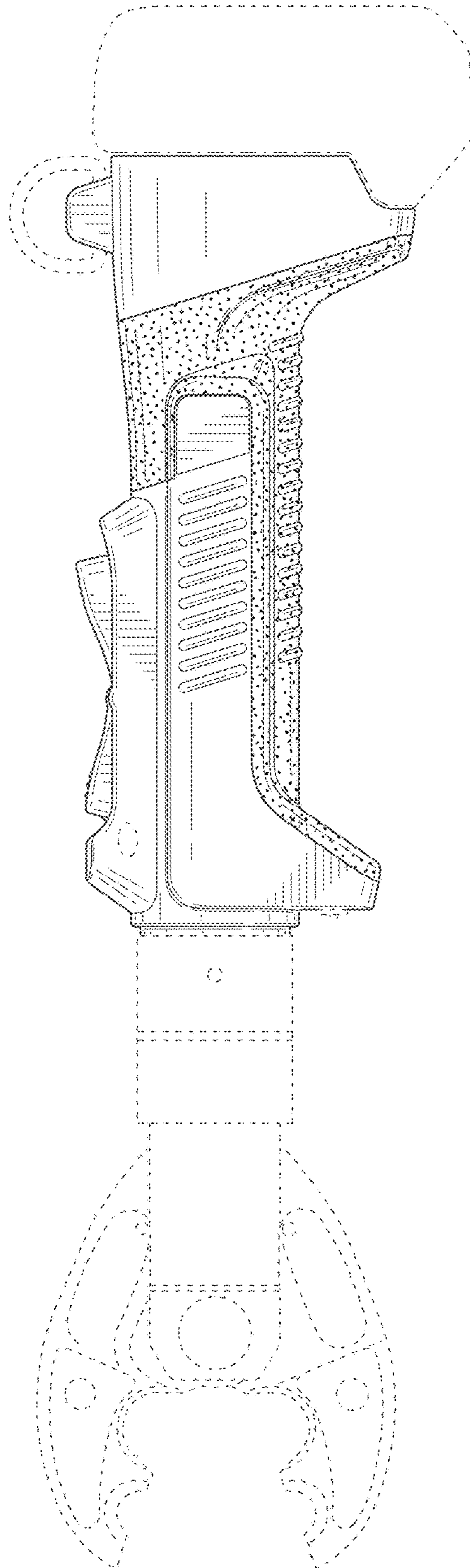


FIG. 2

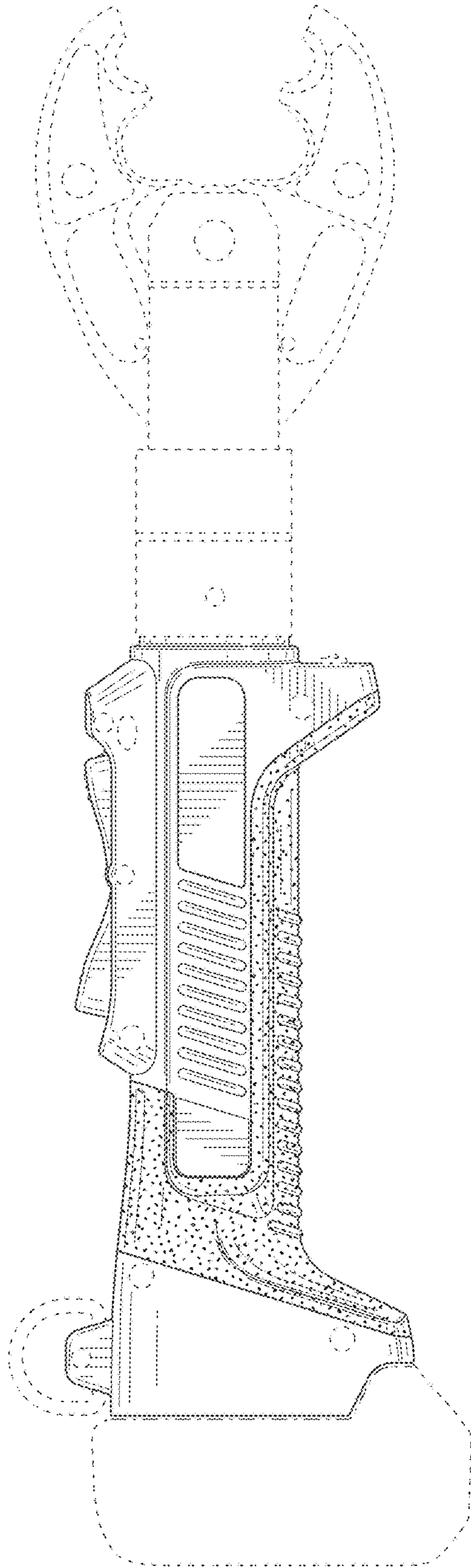
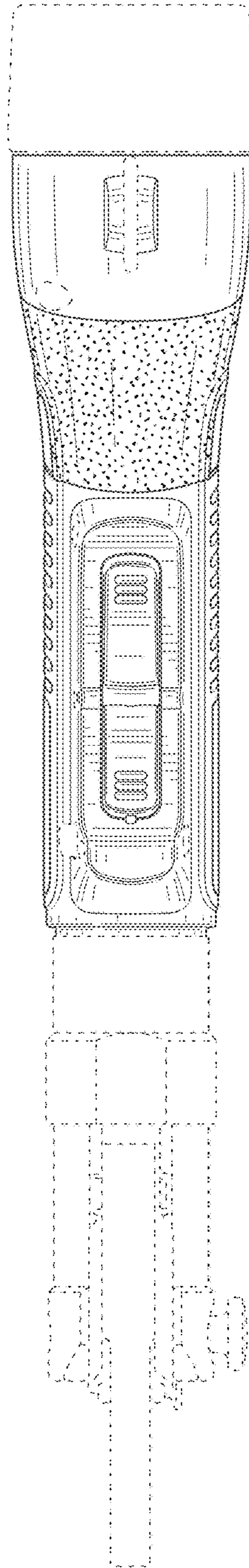


FIG. 3



**FIG. 4**

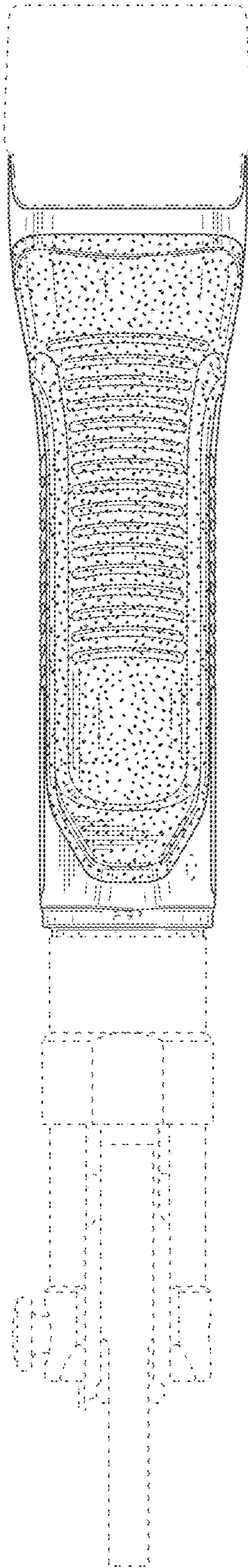


FIG. 5

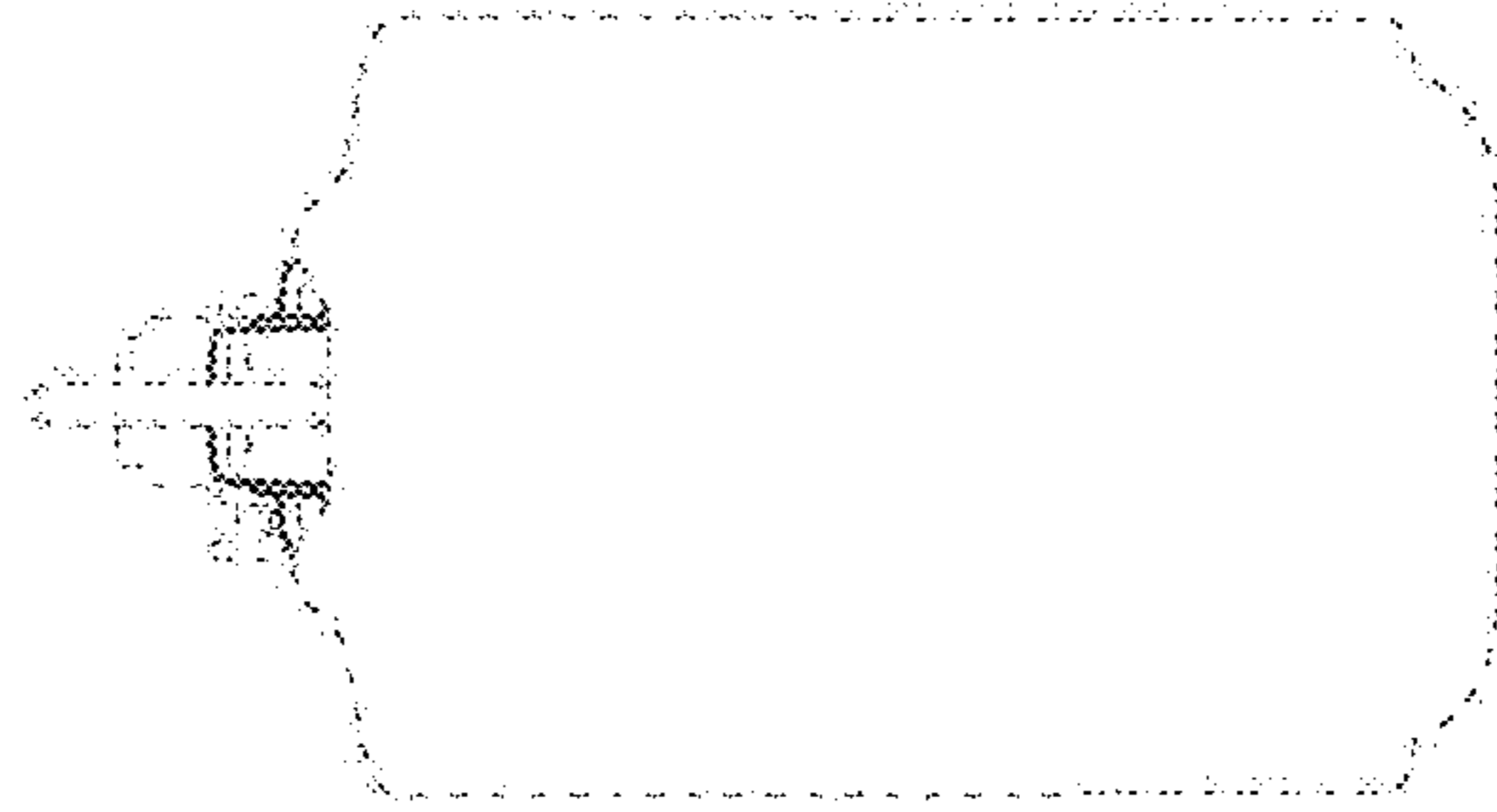


FIG. 7

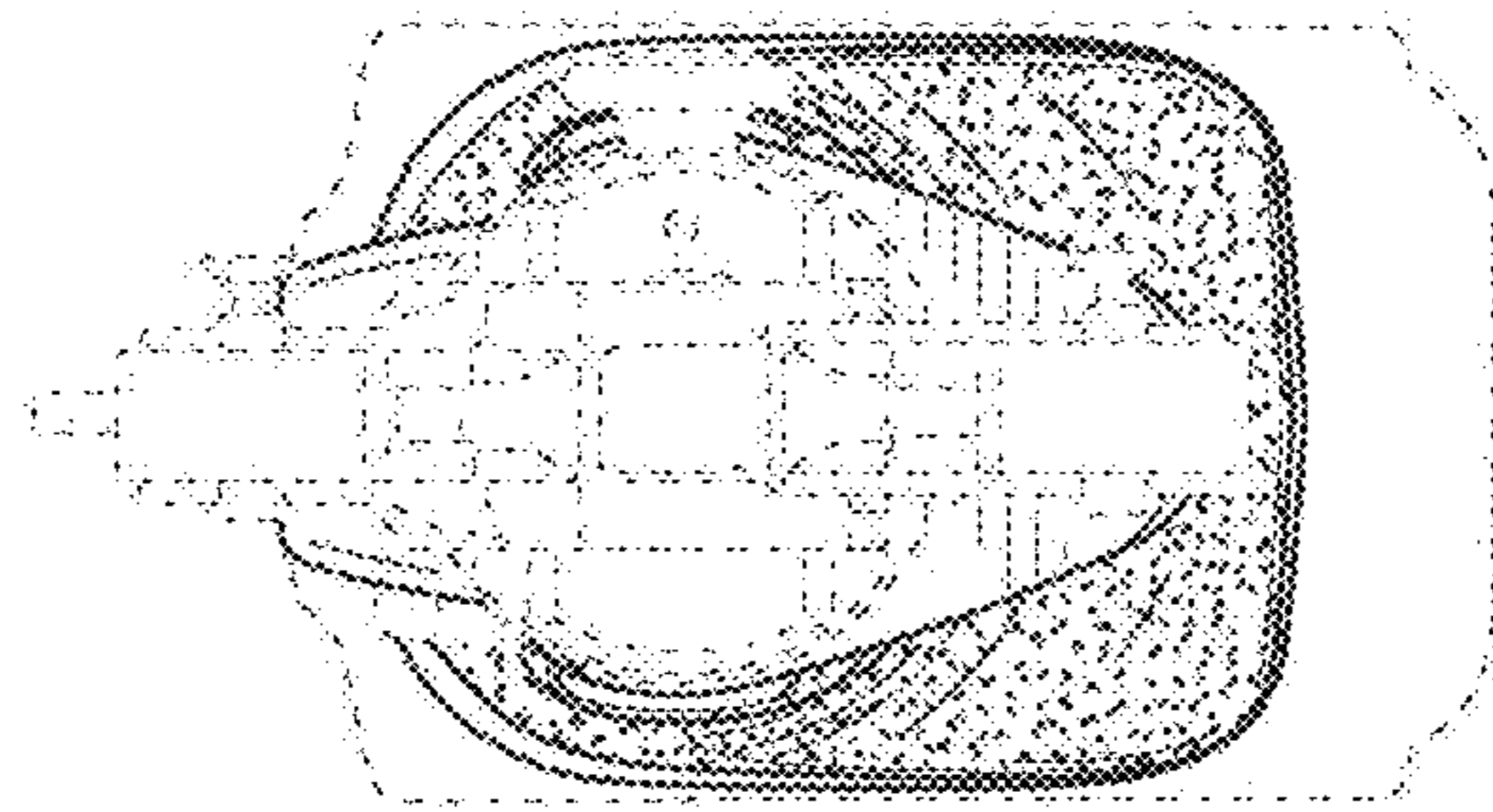


FIG. 6