



US00D835483S

(12) **United States Design Patent** (10) **Patent No.:** **US D835,483 S**  
**Liu** (45) **Date of Patent:** **\*\* Dec. 11, 2018**

(54) **SOCKET**

8,104,382 B2 \* 1/2012 Hu ..... B25B 23/0014  
403/57

(71) Applicant: **Chao-Chih Liu**, Taichung (TW)

\* cited by examiner

(72) Inventor: **Chao-Chih Liu**, Taichung (TW)

*Primary Examiner* — Randall H Gholson

(\*\*) Term: **15 Years**

(21) Appl. No.: **29/628,565**

(57) **CLAIM**

The ornamental design for a socket, as shown and described.

(22) Filed: **Dec. 6, 2017**

(51) **LOC (11) Cl.** ..... **08-05**

**DESCRIPTION**

(52) **U.S. Cl.**

USPC ..... **D8/29**; D8/21

(58) **Field of Classification Search**

USPC ..... D8/21-29; 81/177.1, 177.85, 121.1,  
81/124.3, 165-170, 110.1, 176.2, 124.6,  
81/176.1, 176.15, 177.2; 16/110.1

CPC ..... B25B 1/00; B25B 19/00; B25B 27/00

See application file for complete search history.

FIG. 1 is a front-right-top perspective view of the socket showing my new design;  
FIG. 2 is a front elevational view thereof;  
FIG. 3 is a rear front elevational view thereof;  
FIG. 4 is a left side elevational view thereof;  
FIG. 5 is a right side elevational view thereof;  
FIG. 6 is a top plan view thereof;  
FIG. 7 is a bottom plan view thereof;  
FIG. 8 is a another perspective view thereof; and,  
FIG. 9 is a view showing the application thereof.  
The broken lines in the drawings illustrate portions of the socket which form no part of the claimed design.

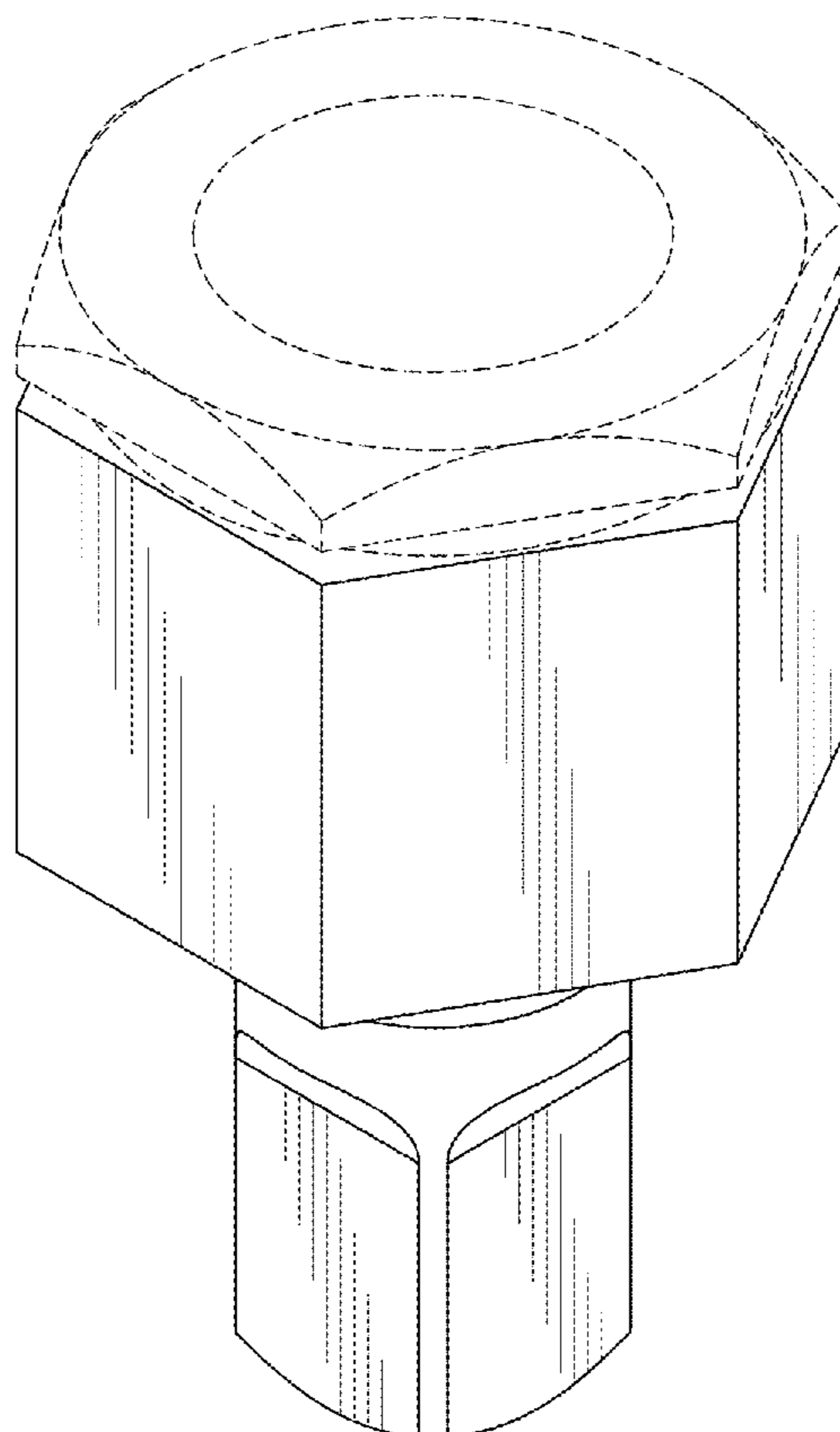
(56) **References Cited**

**U.S. PATENT DOCUMENTS**

5,433,548 A \* 7/1995 Roberts ..... B25B 15/001  
403/322.2

D646,939 S \* 10/2011 Johnson ..... D8/29

**1 Claim, 8 Drawing Sheets**



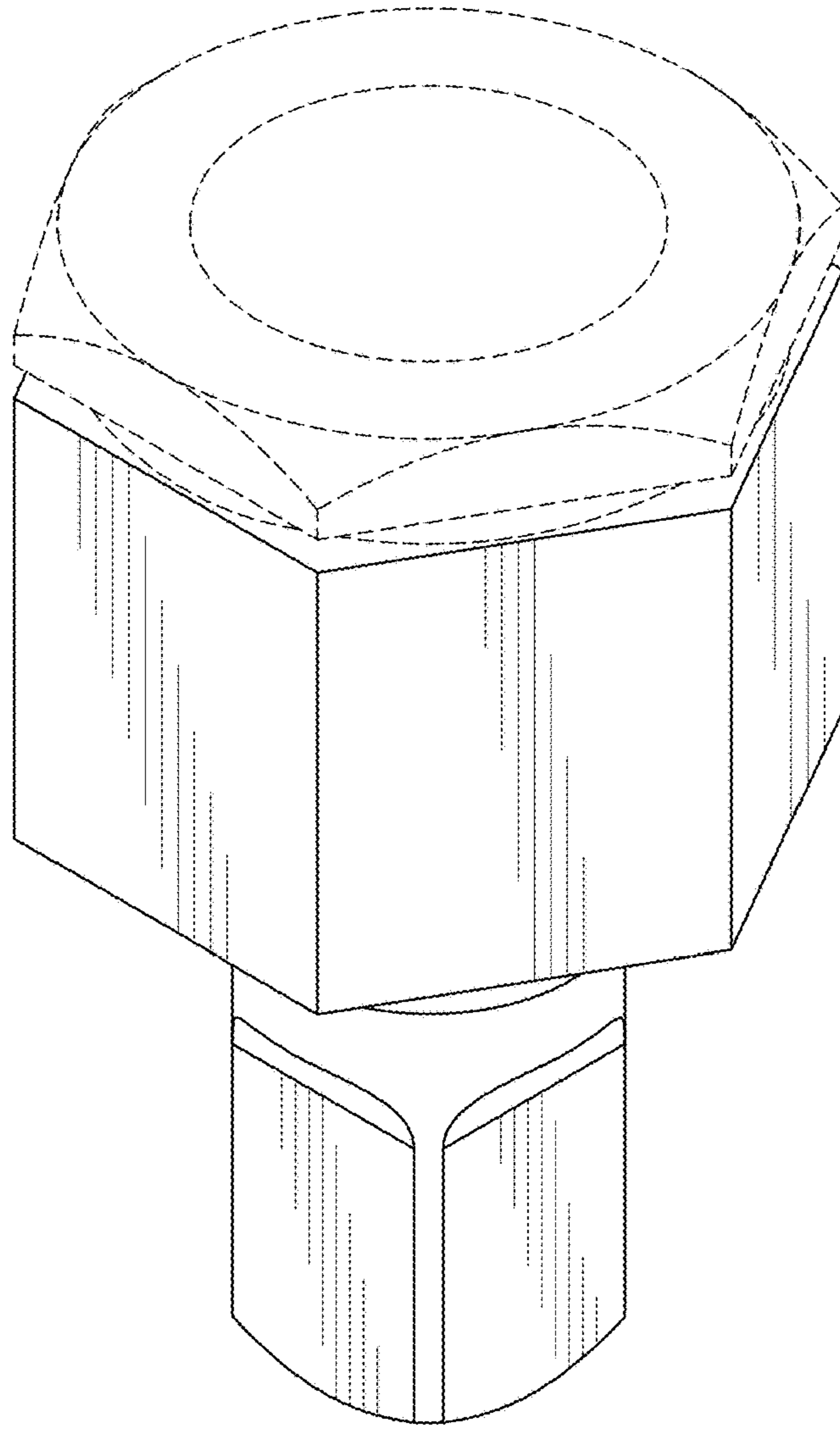


FIG.1

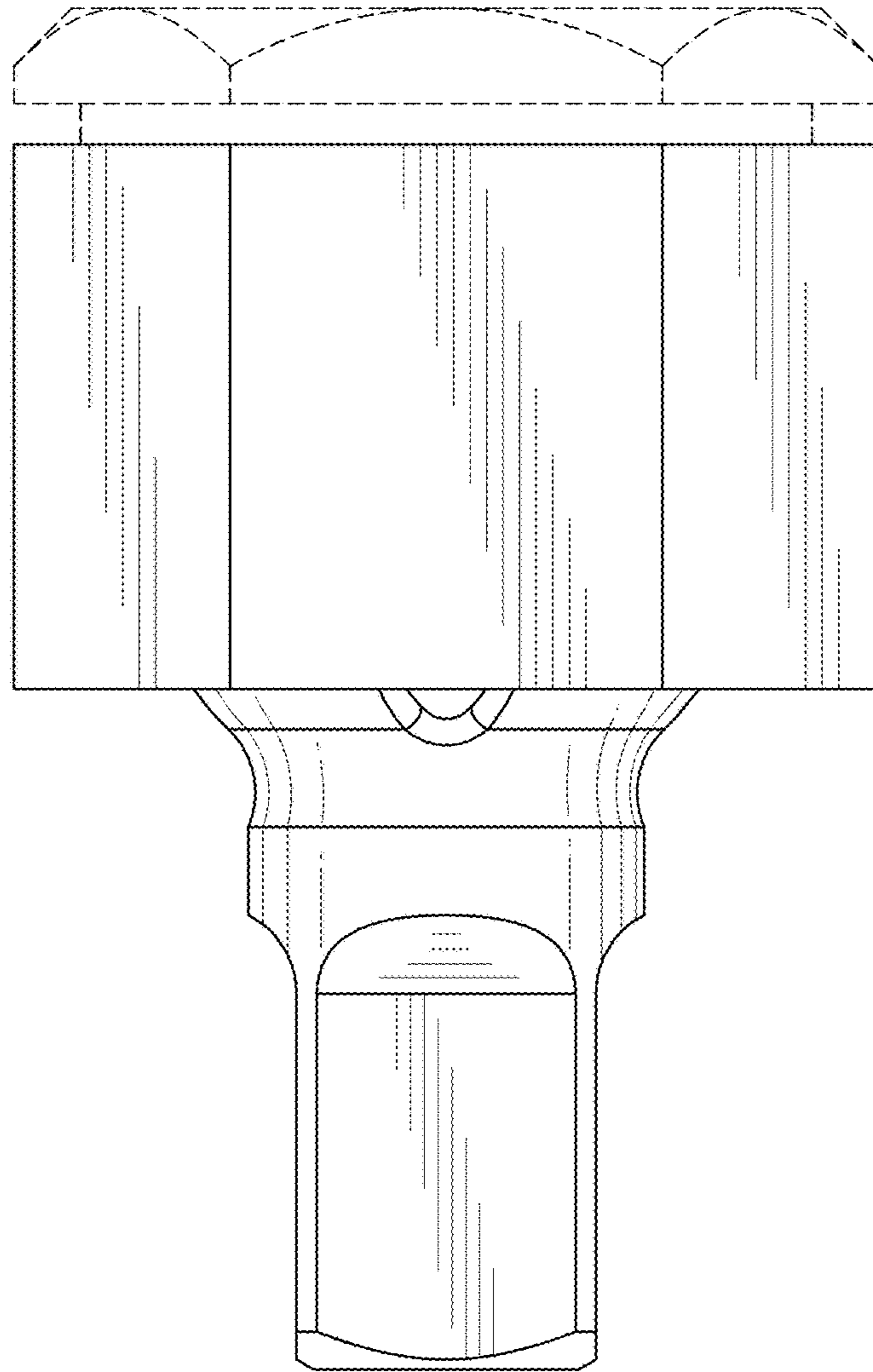


FIG.2

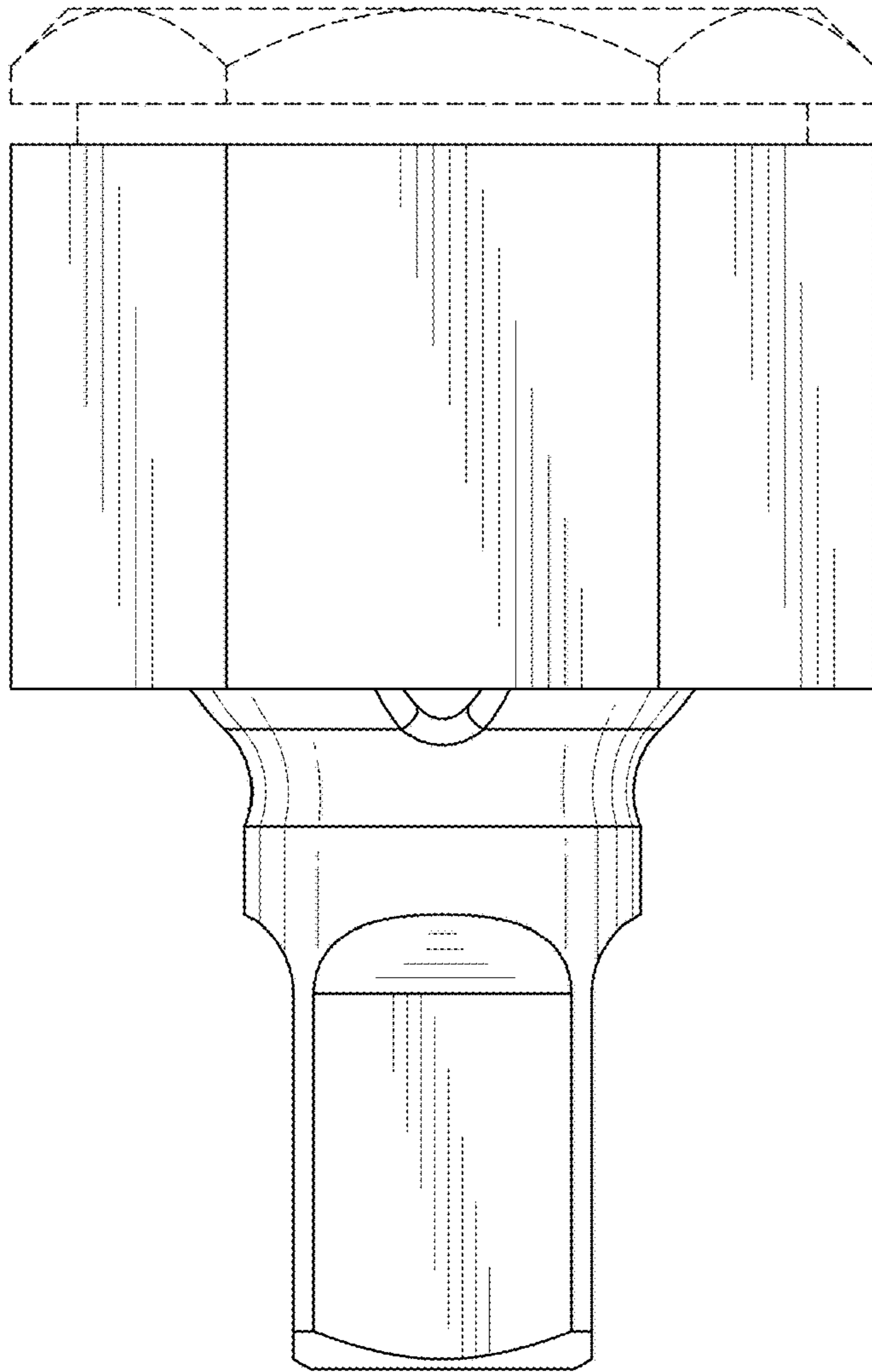


FIG.3

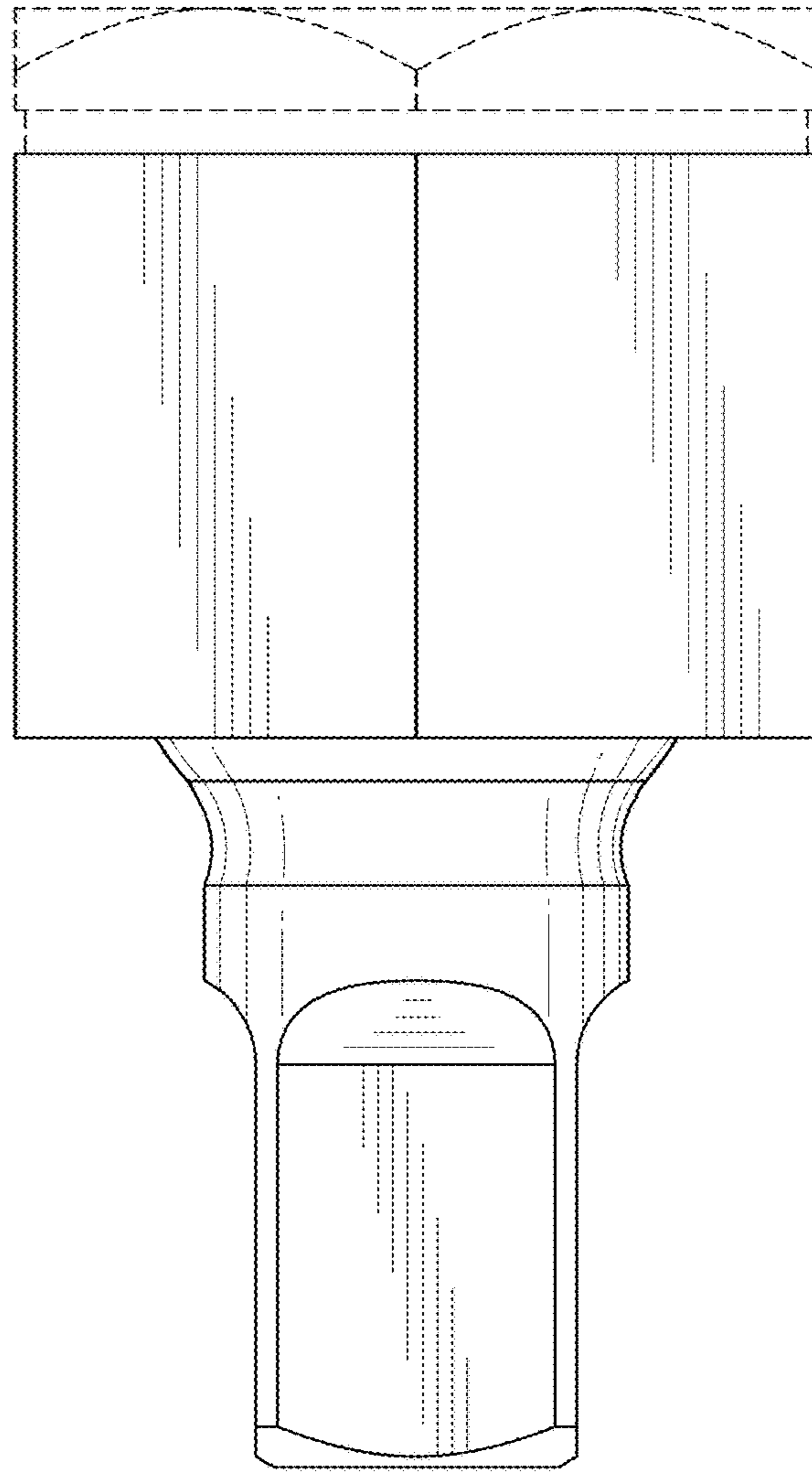


FIG.4

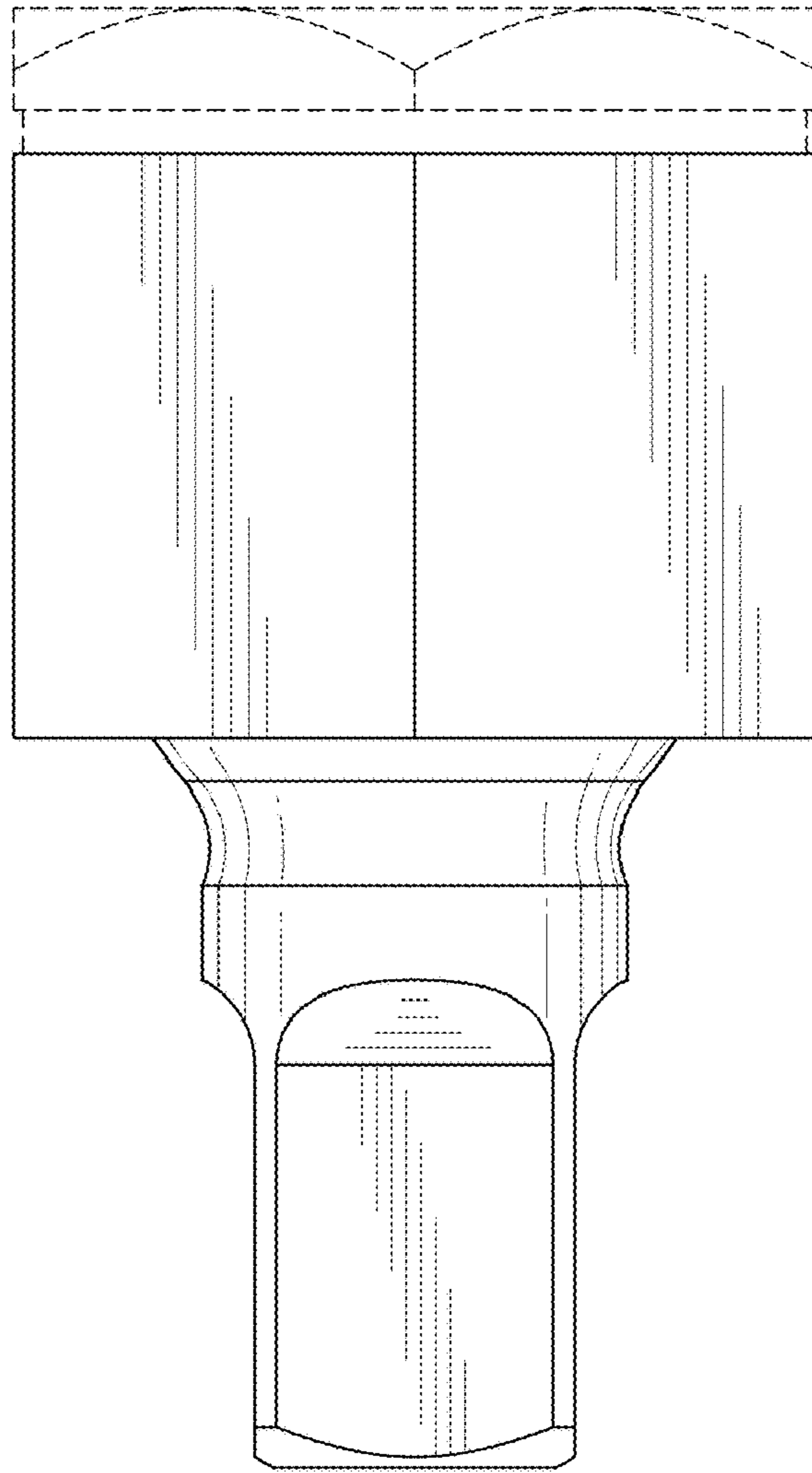


FIG.5

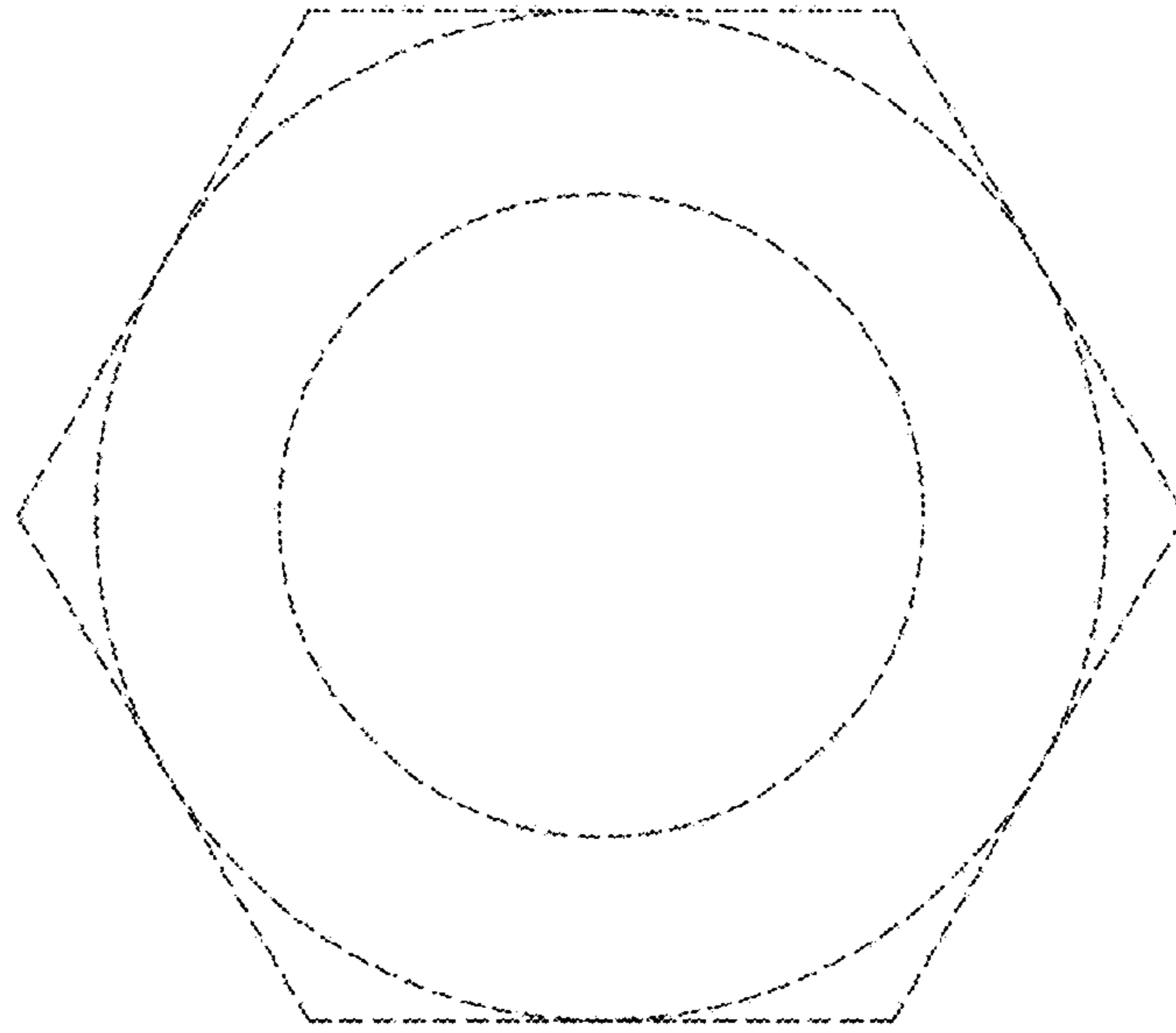


FIG. 6

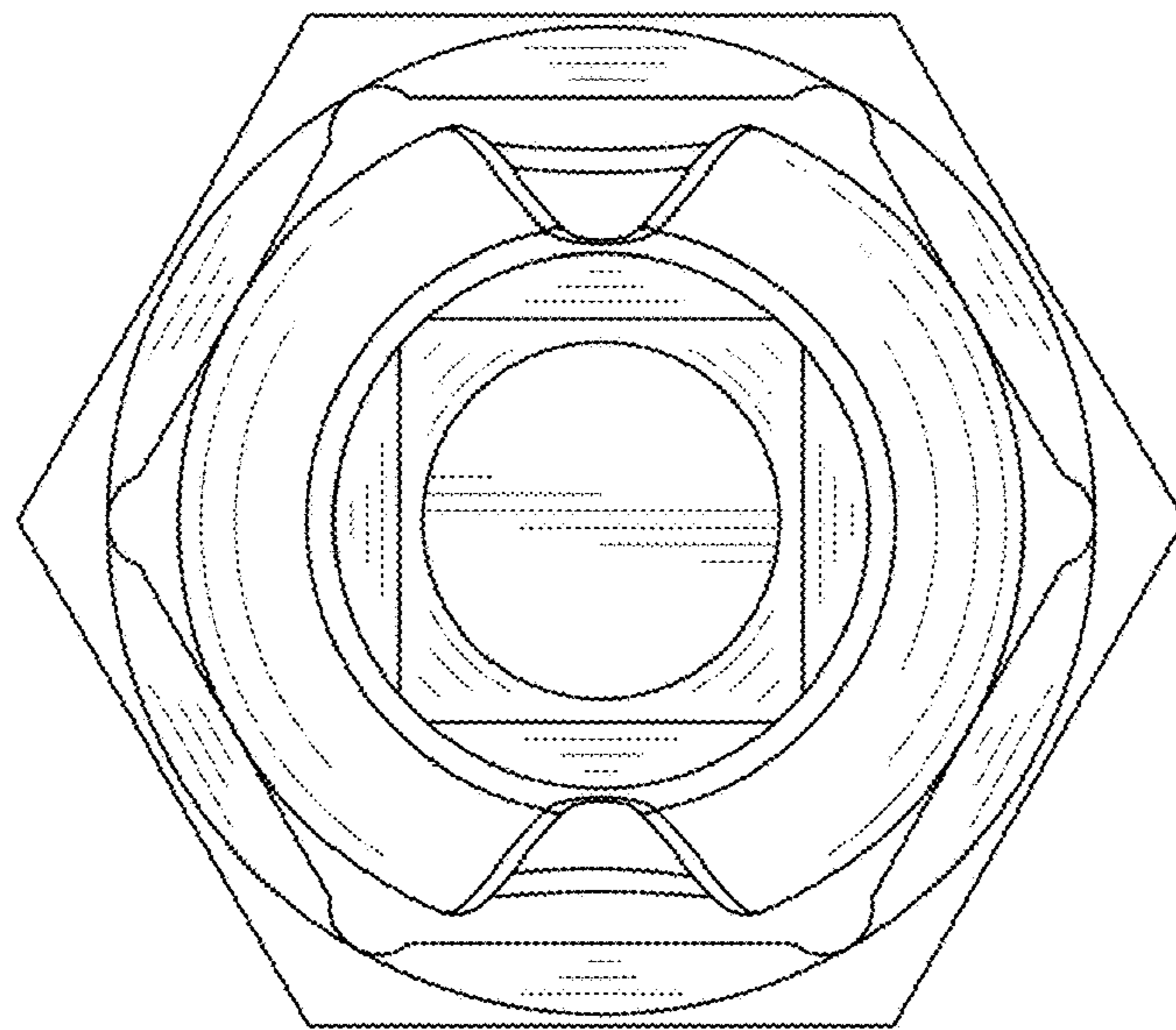


FIG. 7

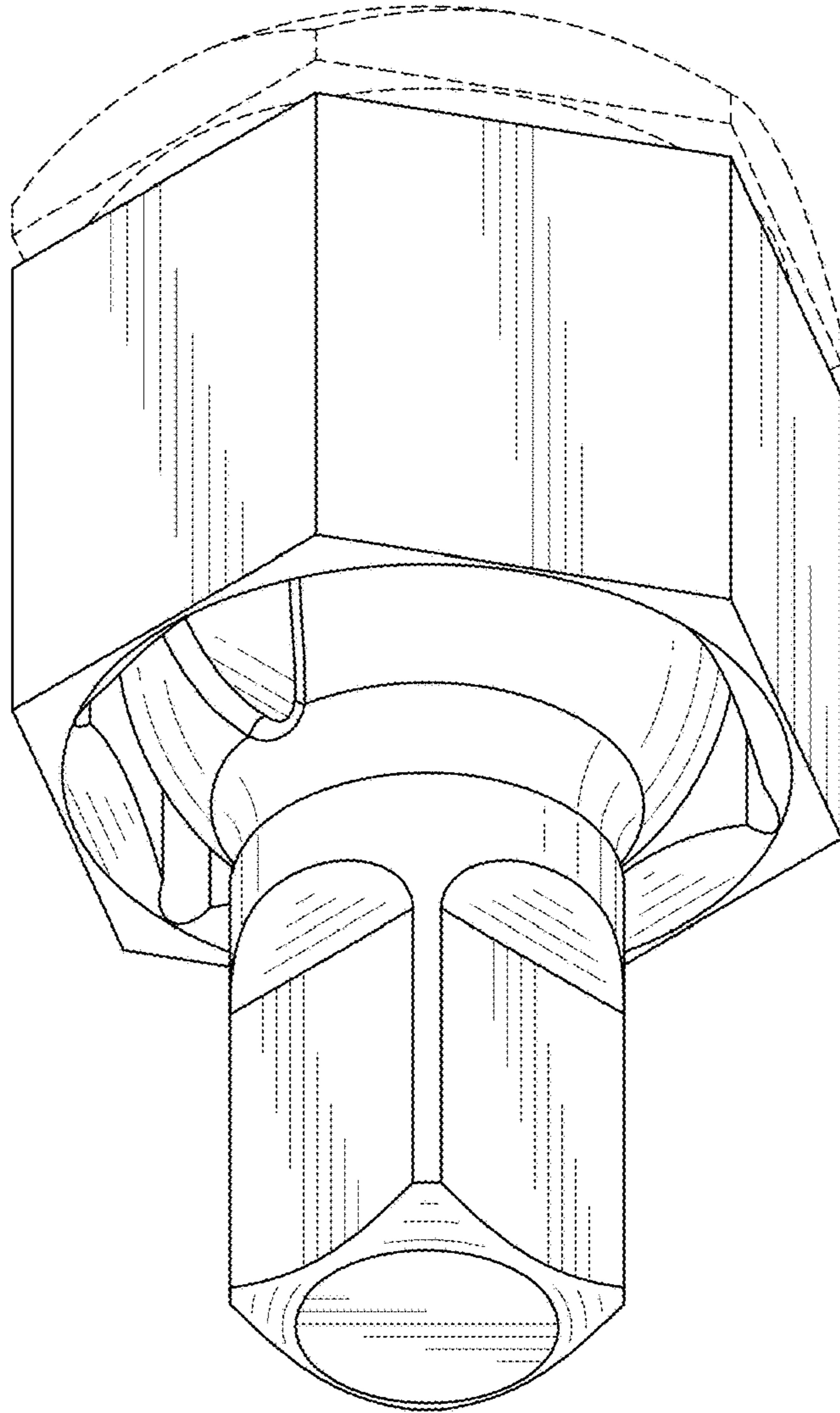


FIG.8



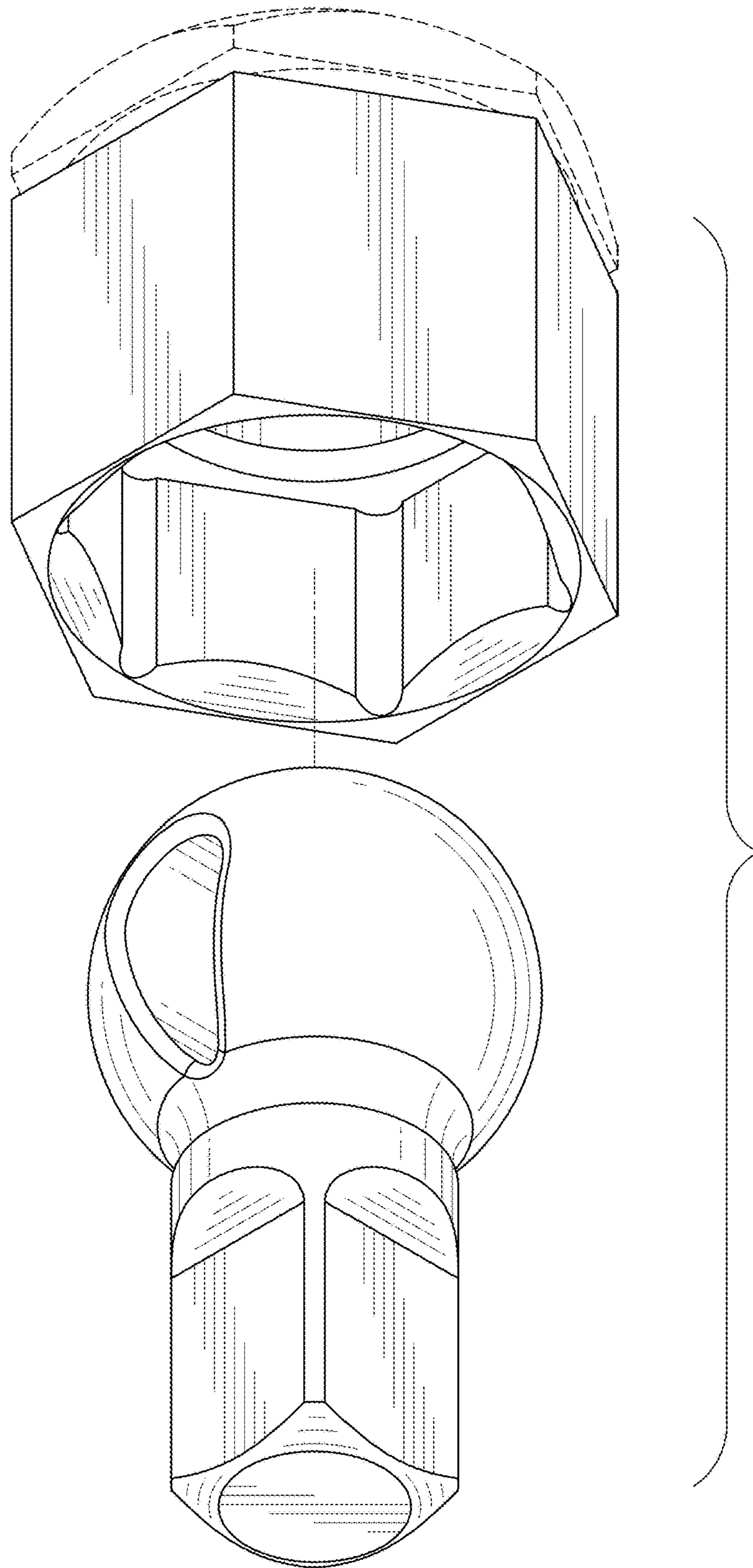


FIG.9