



US00D835481S

(12) **United States Design Patent** (10) **Patent No.:** **US D835,481 S**
Palmer (45) **Date of Patent:** **** Dec. 11, 2018**

(54) **CROP FURROW**

(71) Applicant: **Gerald R. Palmer**, Phoenix, AZ (US)

(72) Inventor: **Gerald R. Palmer**, Phoenix, AZ (US)

(**) Term: **15 Years**

(21) Appl. No.: **29/533,857**

(22) Filed: **Jul. 22, 2015**

(51) **LOC (11) Cl.** **08-01**

(52) **U.S. Cl.**
USPC **D8/1**

(58) **Field of Classification Search**
USPC D8/1; D34/1; D15/138

(Continued)

(56) **References Cited**

U.S. PATENT DOCUMENTS

D162,243 S * 2/1951 Simmons 47/32.4
3,805,446 A 4/1974 Aoyagi

(Continued)

FOREIGN PATENT DOCUMENTS

CN 1358418 7/2002

OTHER PUBLICATIONS

www.ken-bar.com web page viewed on Jun. 8, 2015.
www.gardeners.com web page viewed on Jun. 8, 2015.

Primary Examiner — Sheryl Lane

(74) *Attorney, Agent, or Firm* — Mark V. Loen

(57) **CLAIM**

The ornamental design for a crop furrow, as shown and described.

DESCRIPTION

FIG. 1 is a cross sectional view of the crop furrow taken from line 1-1 in FIG. 2;

FIG. 2 is a perspective view of the crop furrow;
FIG. 3 shows an exploded view of FIG. 2 showing a top cover, a supporting frame, an irrigation pipe, a lighting system, and a ground cover on shaped cavity in ground soil;
FIG. 4 is an environmental perspective view of the crop furrow;

FIG. 5 is a top view of the top cover; the bottom view is a copy of the top view;

FIG. 6 is a front view of the top cover, and the rear view of the top cover is a copy of the front view;

FIG. 7 is a right edge view of the top cover, the left edge view is a mirror image thereof;

FIG. 8 is perspective view of the top cover;

FIG. 9 is a front view of the supporting frame;

FIG. 10 is a top view of the supporting frame;

FIG. 11 is a bottom view of the supporting frame;

FIG. 12 is a right side view of the supporting frame;

FIG. 13 is a left side view of the supporting frame;

FIG. 14 is a perspective view of the supporting frame;

FIG. 15 is a front view of the irrigation pipe with a riser; the back side view is a mirror image of the front view; the underside of the irrigation pipe has no ornamentation;

FIG. 16 is a right side view of the irrigation pipe and riser, the left side view is a mirror image of the right side view;

FIG. 17 is a perspective view of the irrigation pipe and riser;

FIG. 18 is a front view of the lighting;

FIG. 19 is a right side view of the lighting; the left side view is a mirror of the right side view;

FIG. 20 is a top view of the lighting;

FIG. 21 is a bottom view of the lighting;

FIG. 22 is a back view of FIG. 18;

FIG. 23 is a perspective view of the lighting;

FIG. 24 is a front view of the ground cover; the back view is a copy of the front view;

FIG. 25 is a right side view of the ground cover, the left side view is a mirror of the right side view;

FIG. 26 is a top view of the ground cover;

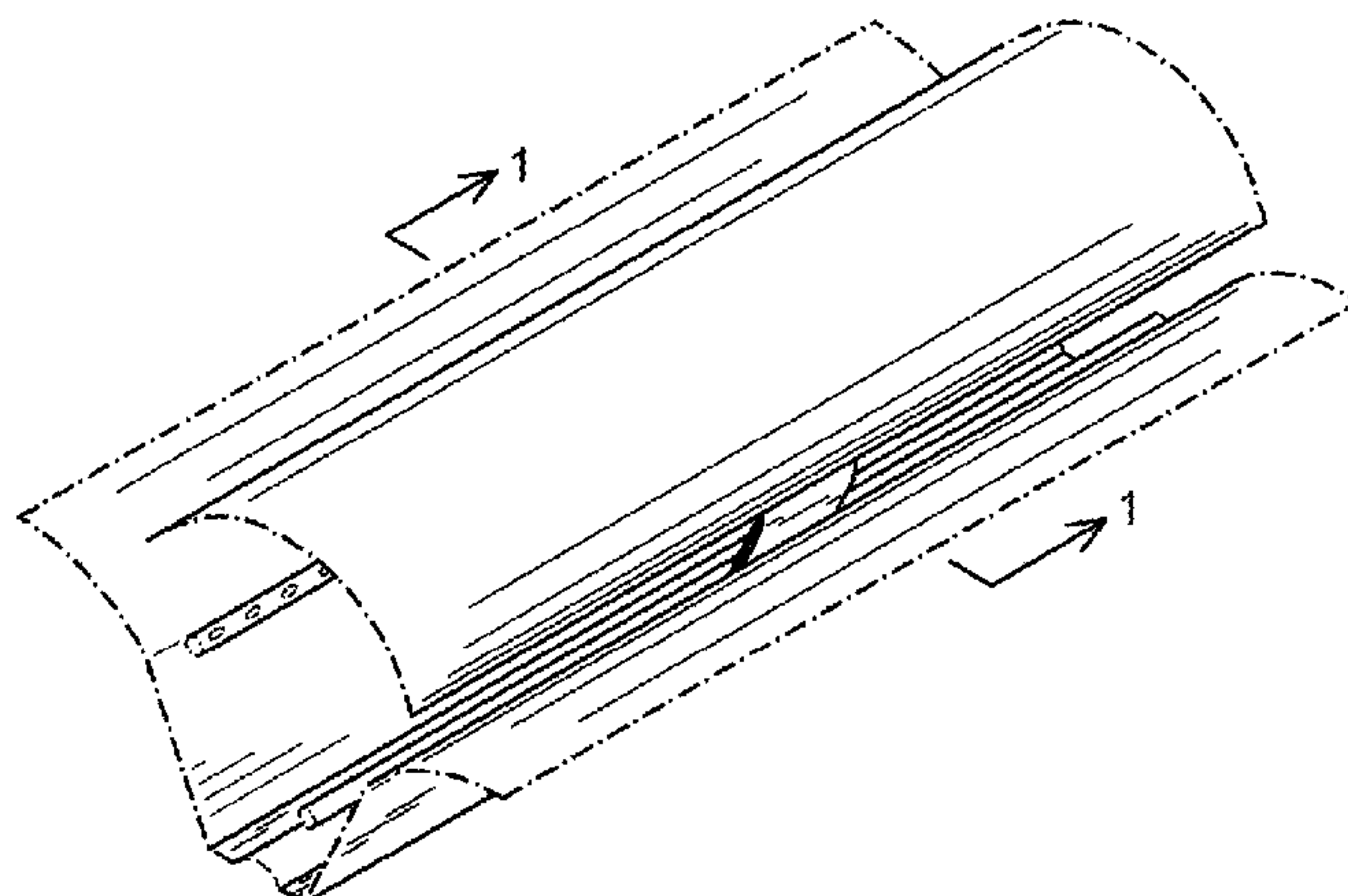
FIG. 27 is a bottom view of the ground cover;

FIG. 28 is a perspective view of the ground cover; and,

FIG. 29 is a detailed view of FIG. 17.

The dash dot lines in FIGS. 2-8, 15-28 represent boundaries of the claim and form no part of the claimed design. The dashed lines in FIGS. 1-3, 15-24, 26-29 represent environment and form no part of the claimed design. The dash

(Continued)



double dot line in FIG. 17 indicates a detailed view and forms no part of the claimed design.

1 Claim, 9 Drawing Sheets

(58) Field of Classification Search

CPC .. E02B 13/00; A01G 13/0243; A01G 13/0281

See application file for complete search history.

(56) References Cited

U.S. PATENT DOCUMENTS

D250,119	S *	10/1978	Qualls	74/607
4,117,685	A	10/1978	Skaife	
4,763,842	A	8/1988	Dunn	
D316,951	S *	5/1991	Groves	D8/1
D342,874	S *	1/1994	Groves	D8/1
D352,871	S *	11/1994	Miller	D8/1
5,667,336	A *	9/1997	Zur	E02B 13/00 137/78.3
6,032,409	A	3/2000	Obonai et al.	
D425,766	S *	5/2000	Lundeen	D34/1
D425,767	S *	5/2000	Goslin	D8/1
D429,125	S *	8/2000	Ingleton	D8/1
7,488,703	B2	2/2009	Rubin	
2006/0053691	A1	3/2006	Harwood et al.	
2007/0283621	A1	12/2007	Holloway	
2011/0299928	A1 *	12/2011	Alba Flores	A01G 25/00 405/36
2012/0096767	A1	4/2012	Shpak et al.	
2012/0218750	A1	8/2012	Klase et al.	
2017/0000044	A1 *	1/2017	Palmer	A01G 13/0243

* cited by examiner

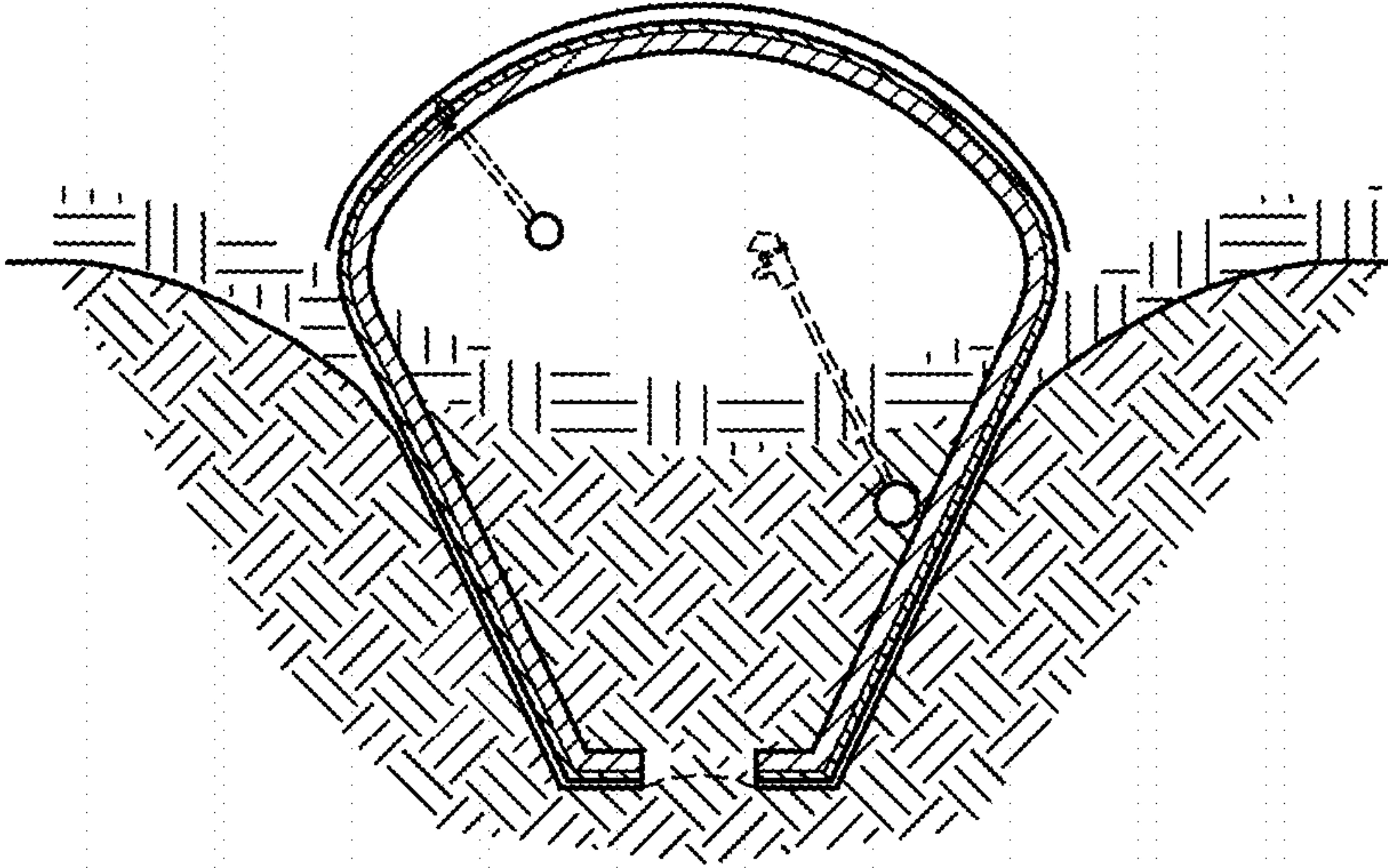


Fig. 1

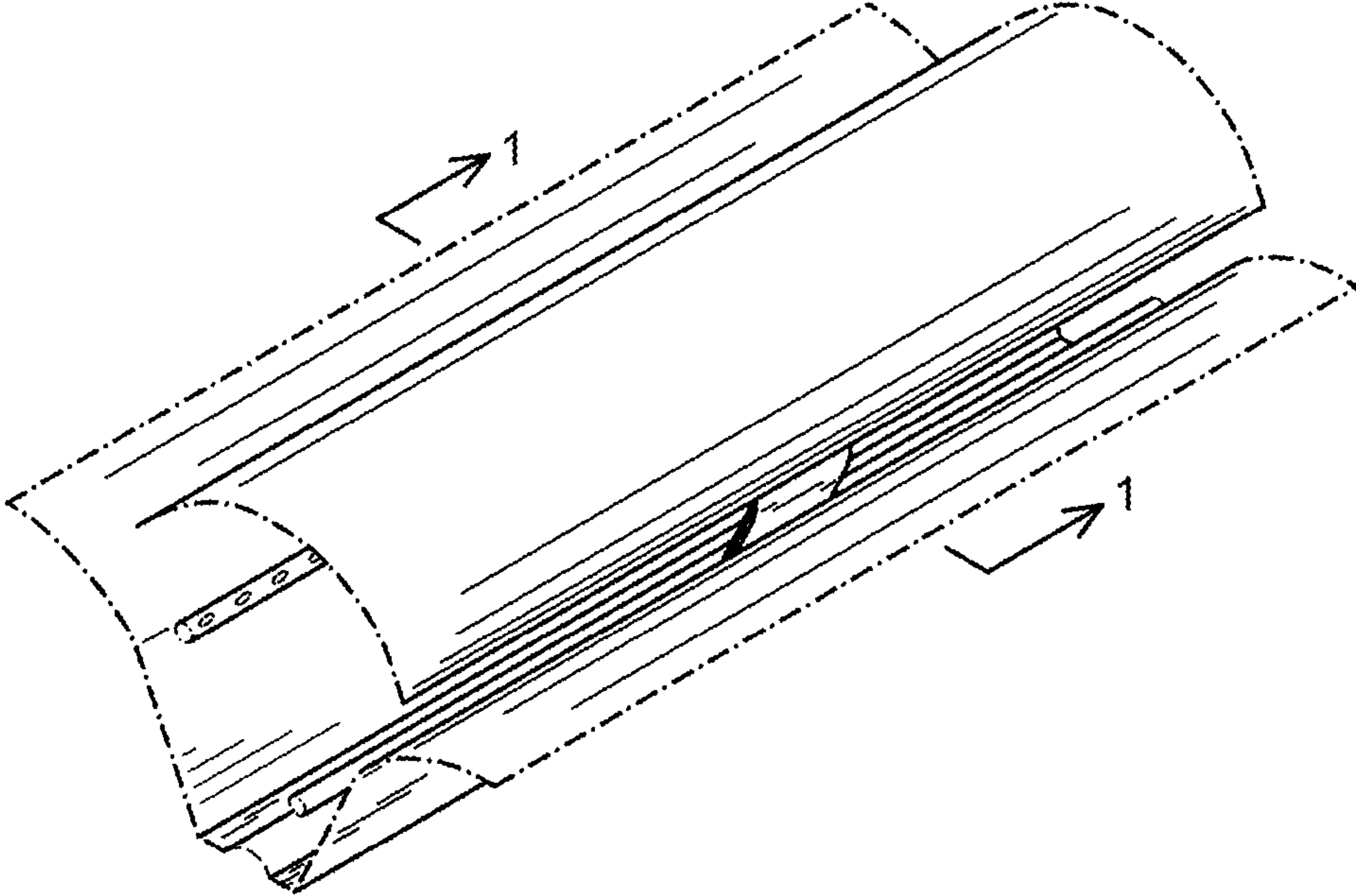


Fig. 2

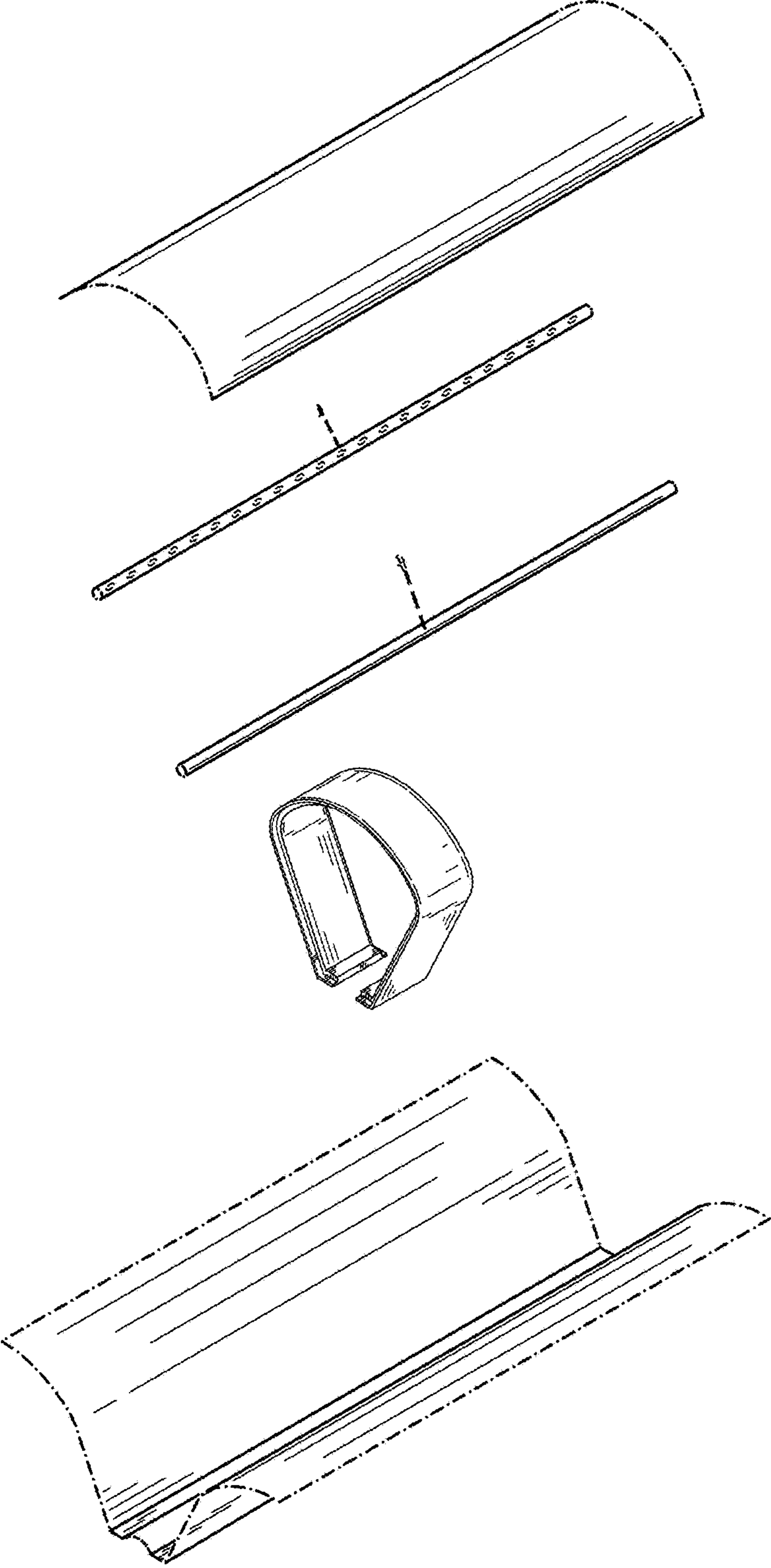


Fig. 3

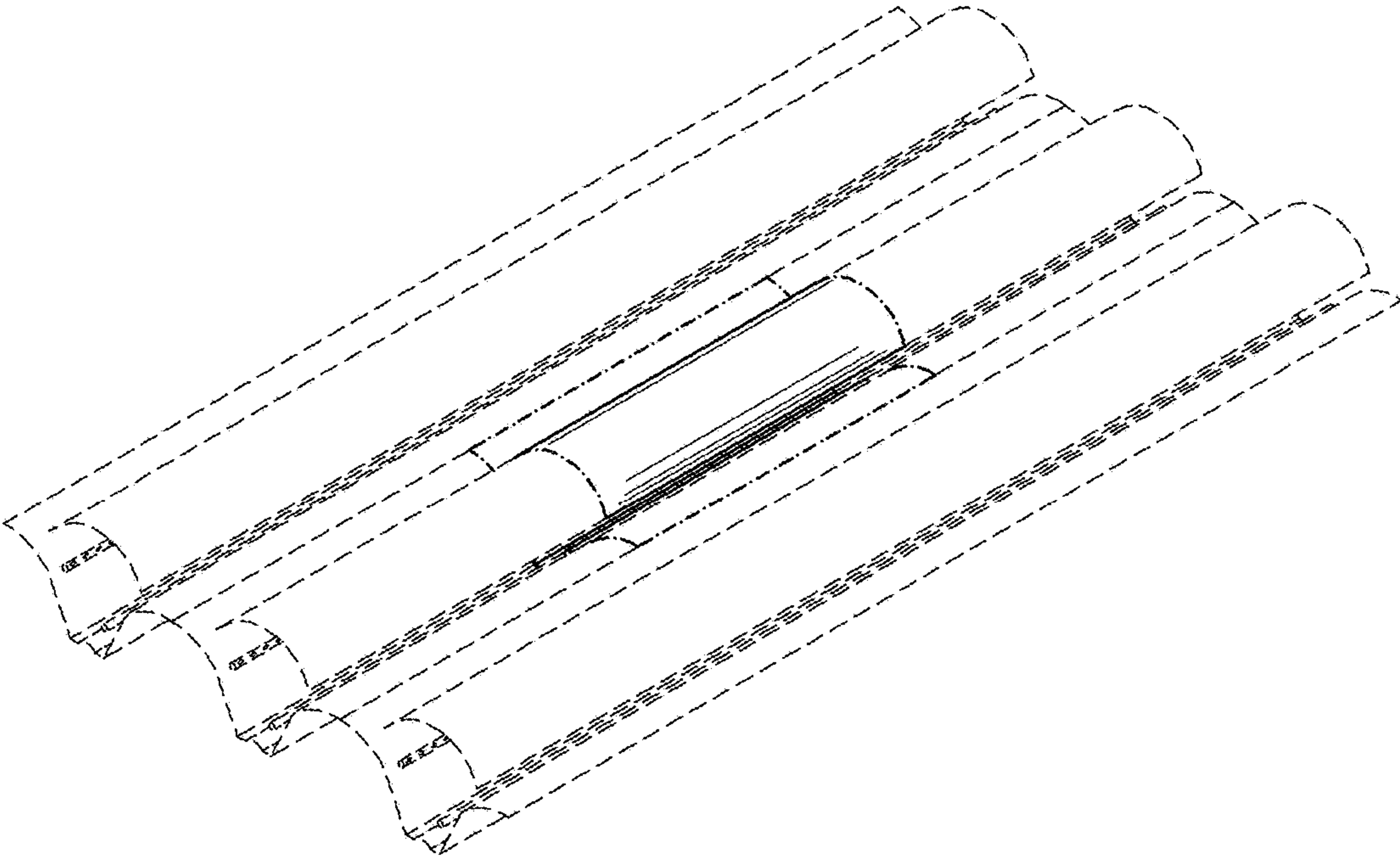


Fig. 4

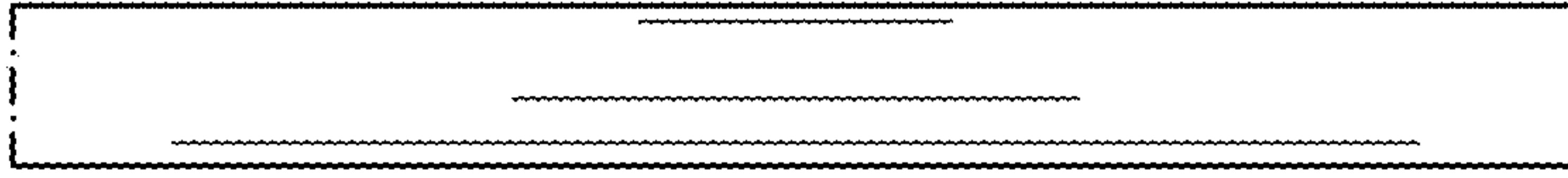


Fig. 6

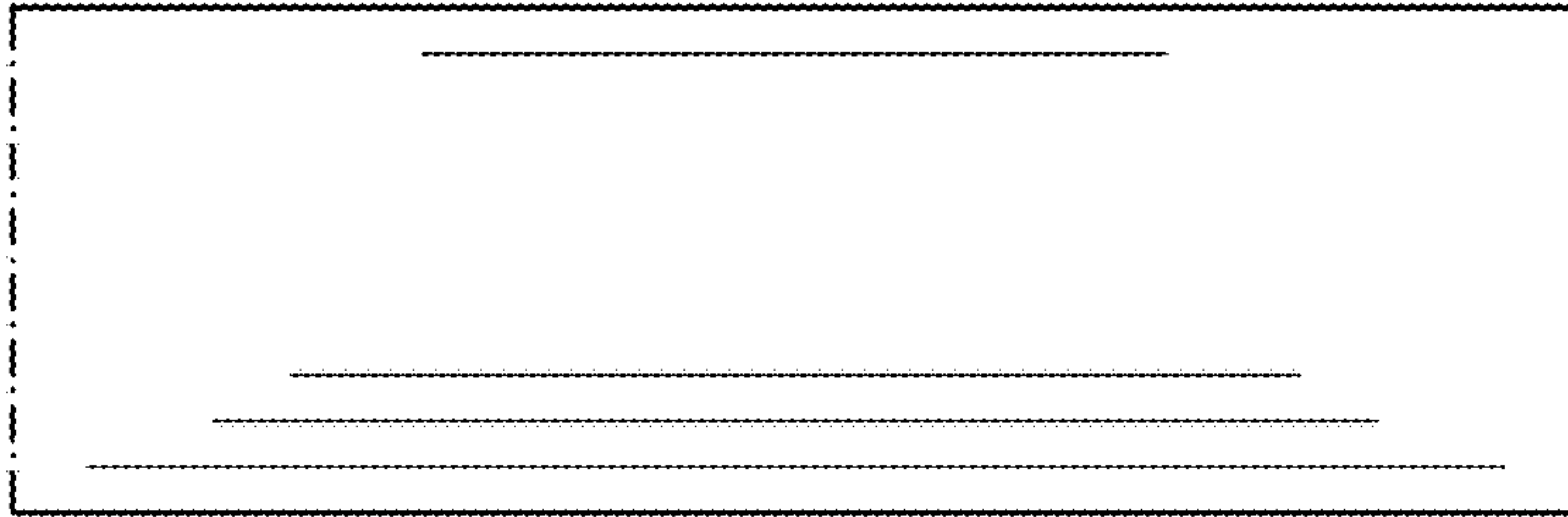


Fig. 5



Fig. 7

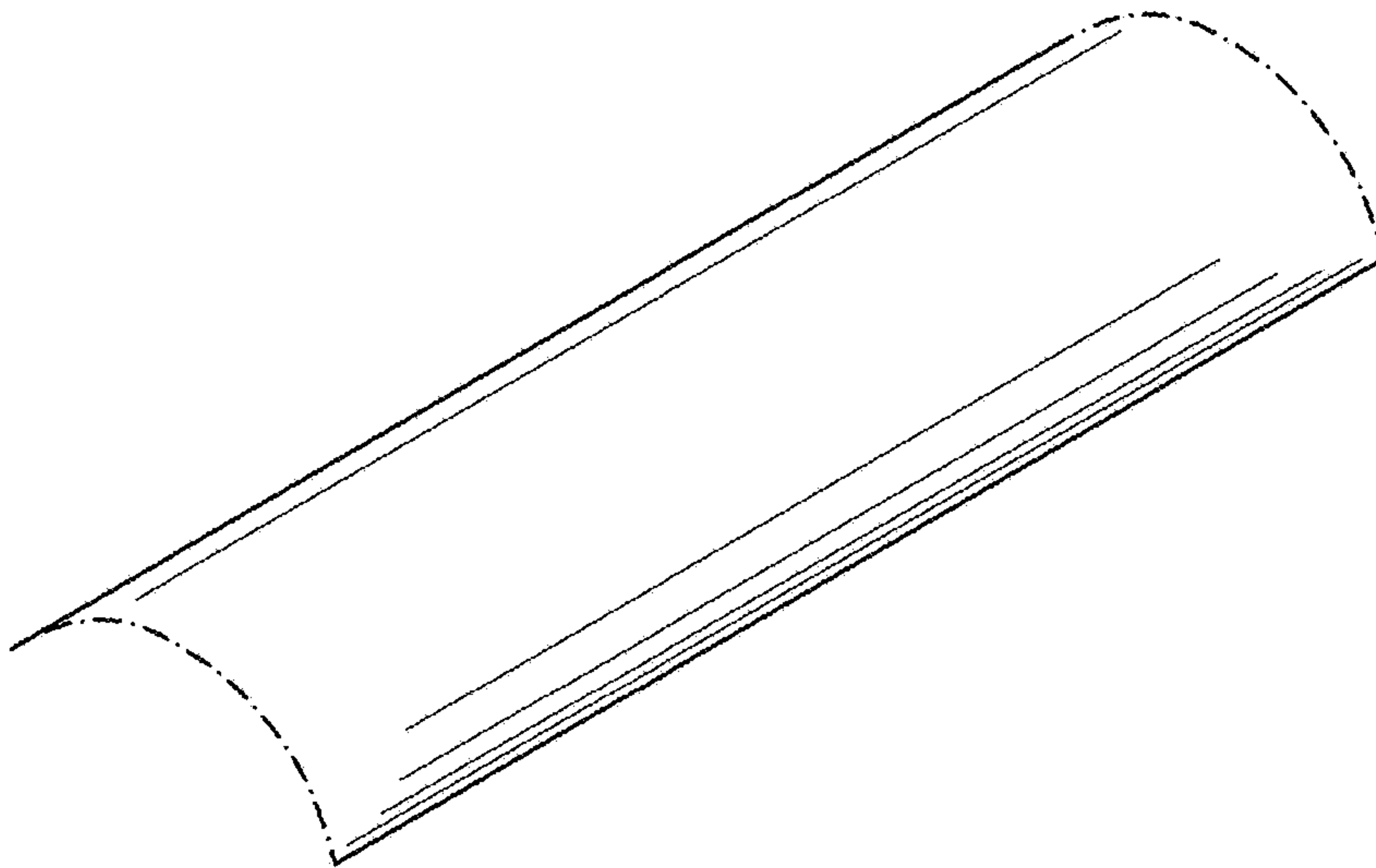


Fig. 8



Fig. 10

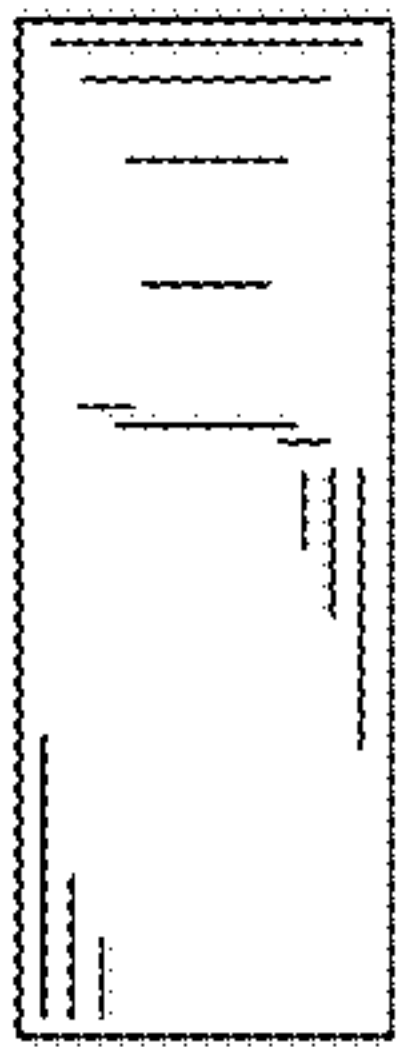


Fig. 13

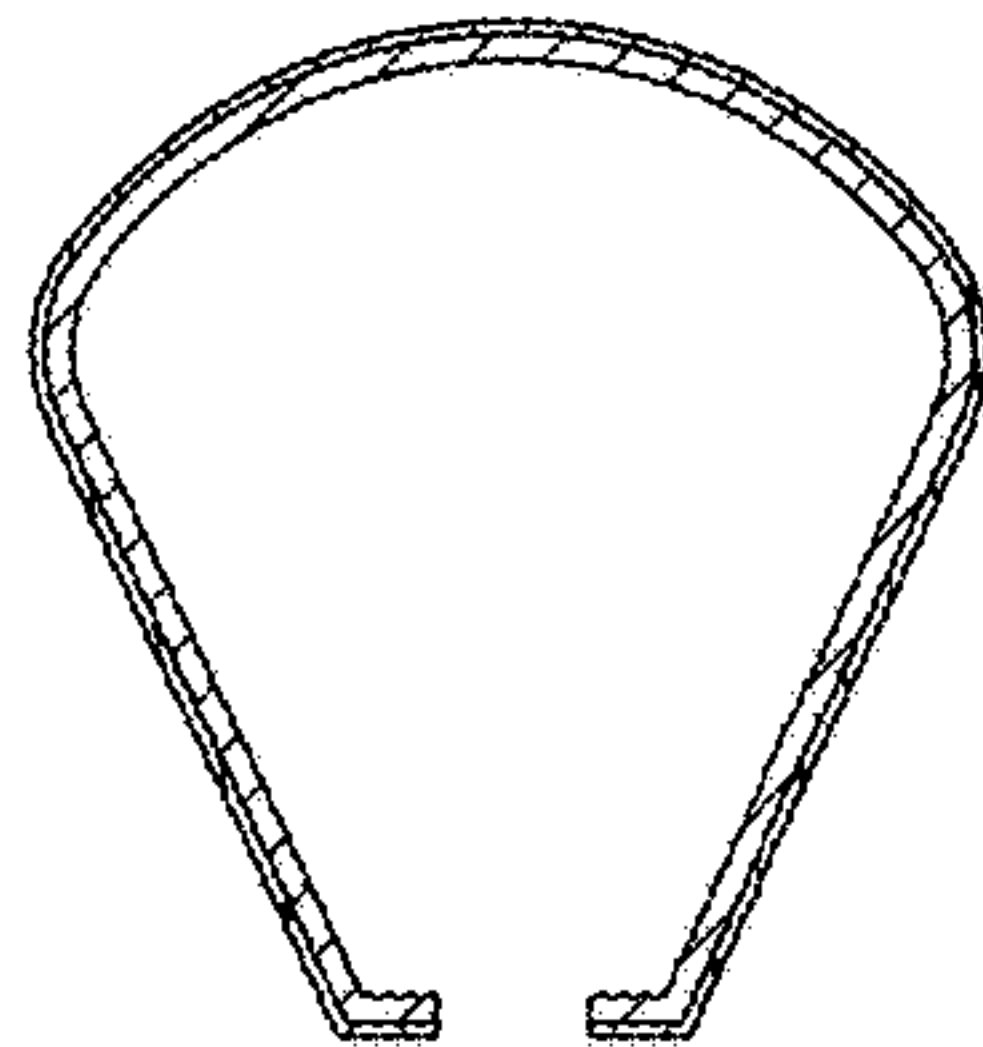


Fig. 9



Fig. 12

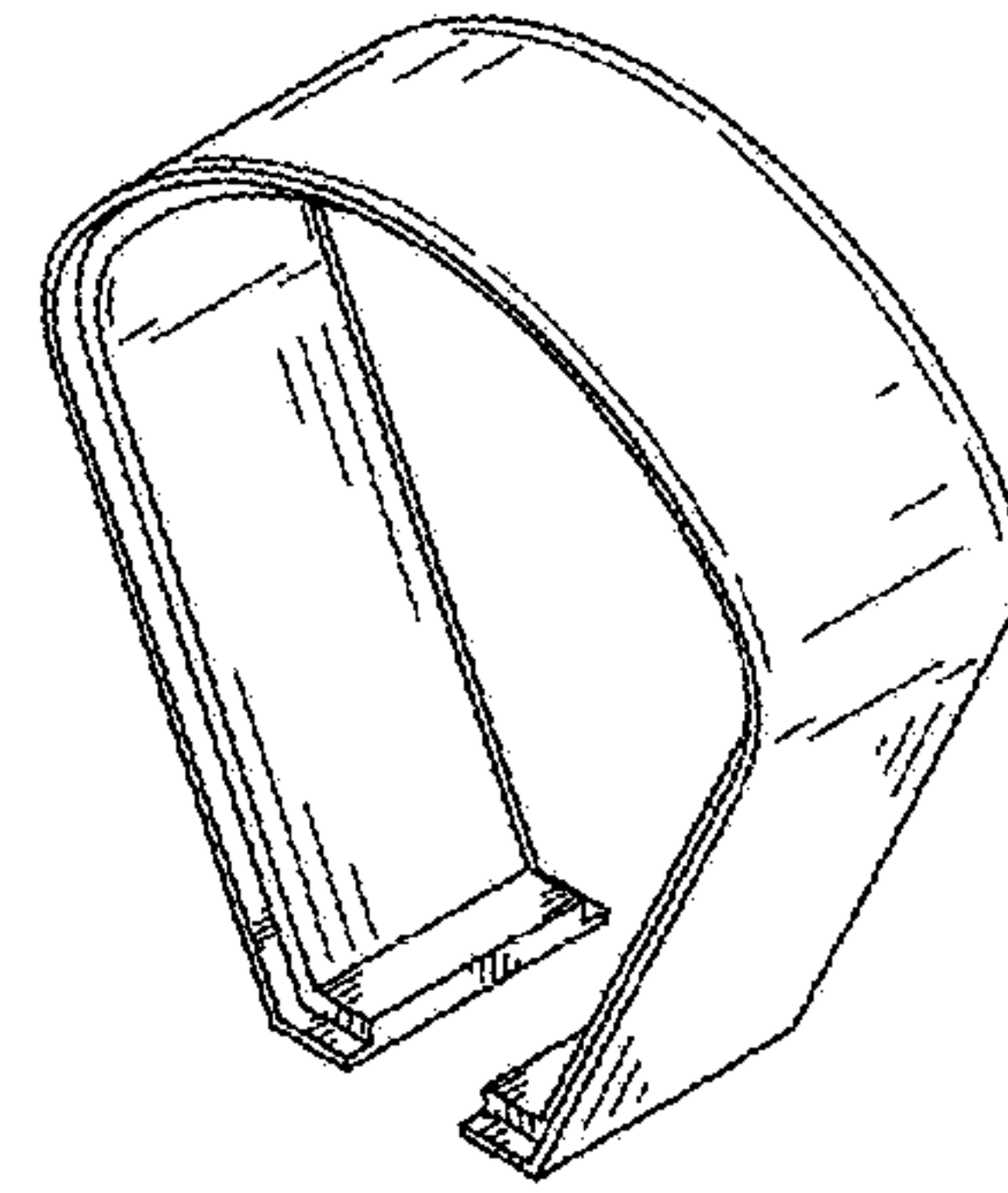


Fig. 14

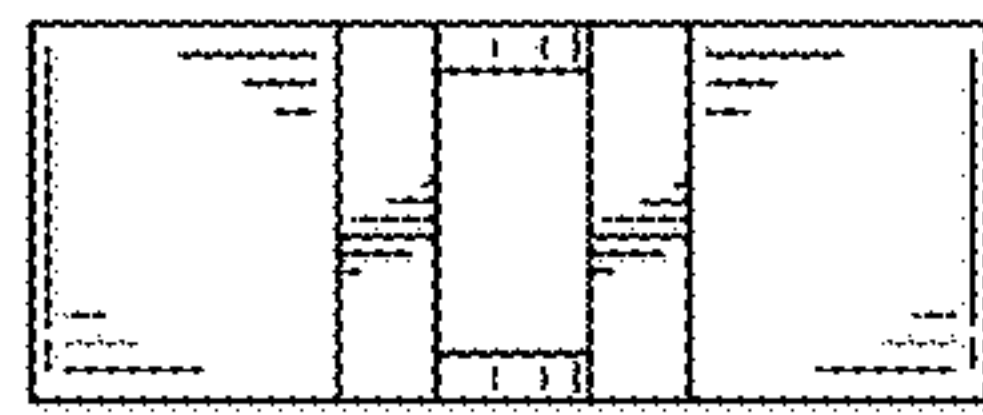


Fig. 11

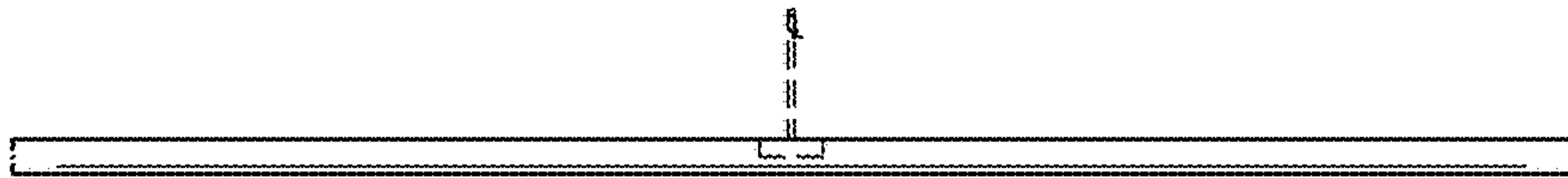


Fig. 22

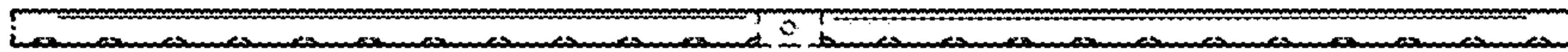


Fig. 20

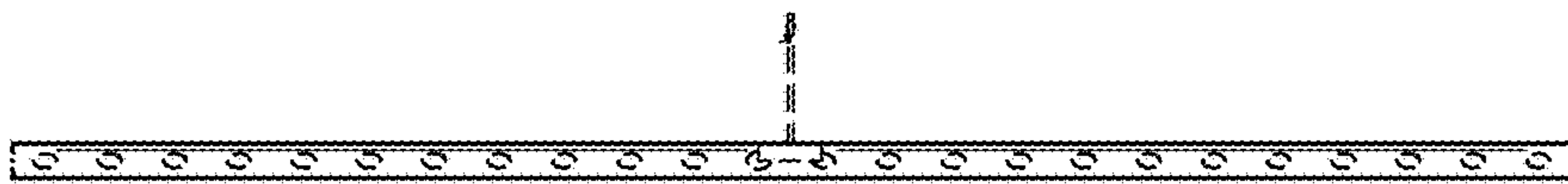


Fig. 18

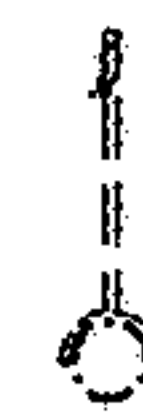


Fig. 19

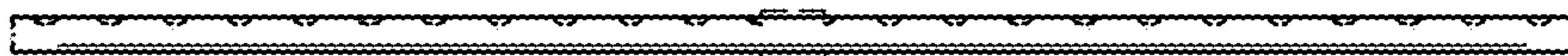


Fig. 21

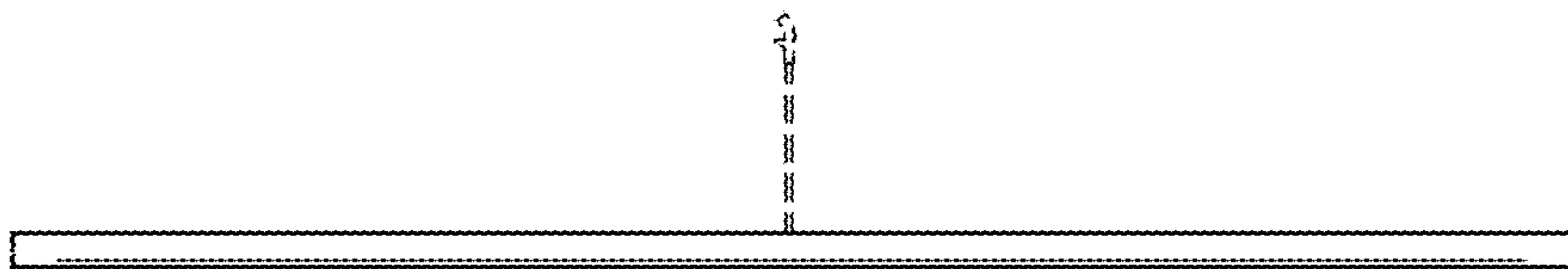


Fig. 15

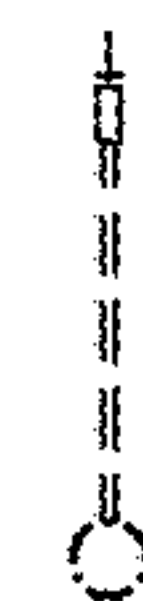


Fig. 16

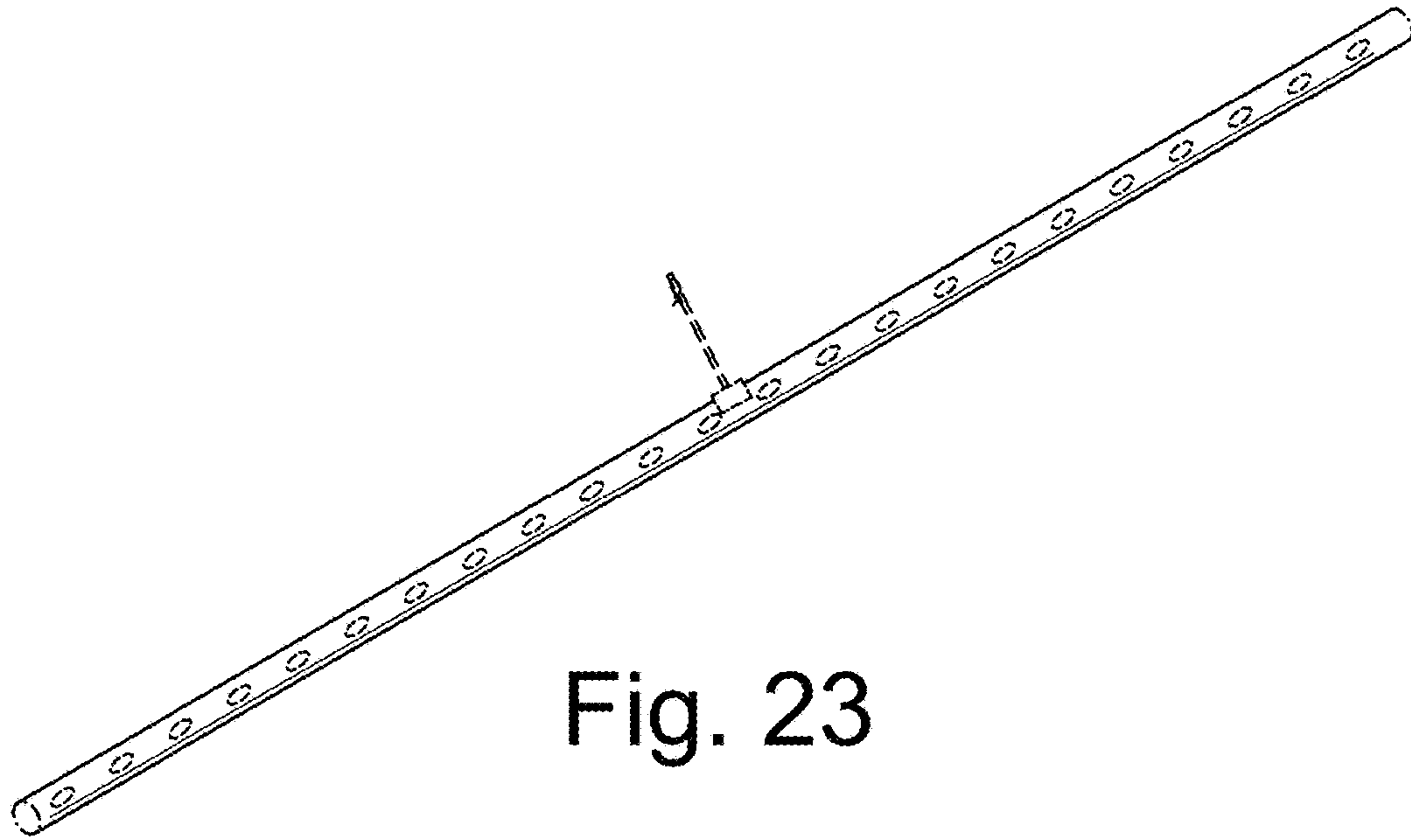


Fig. 23

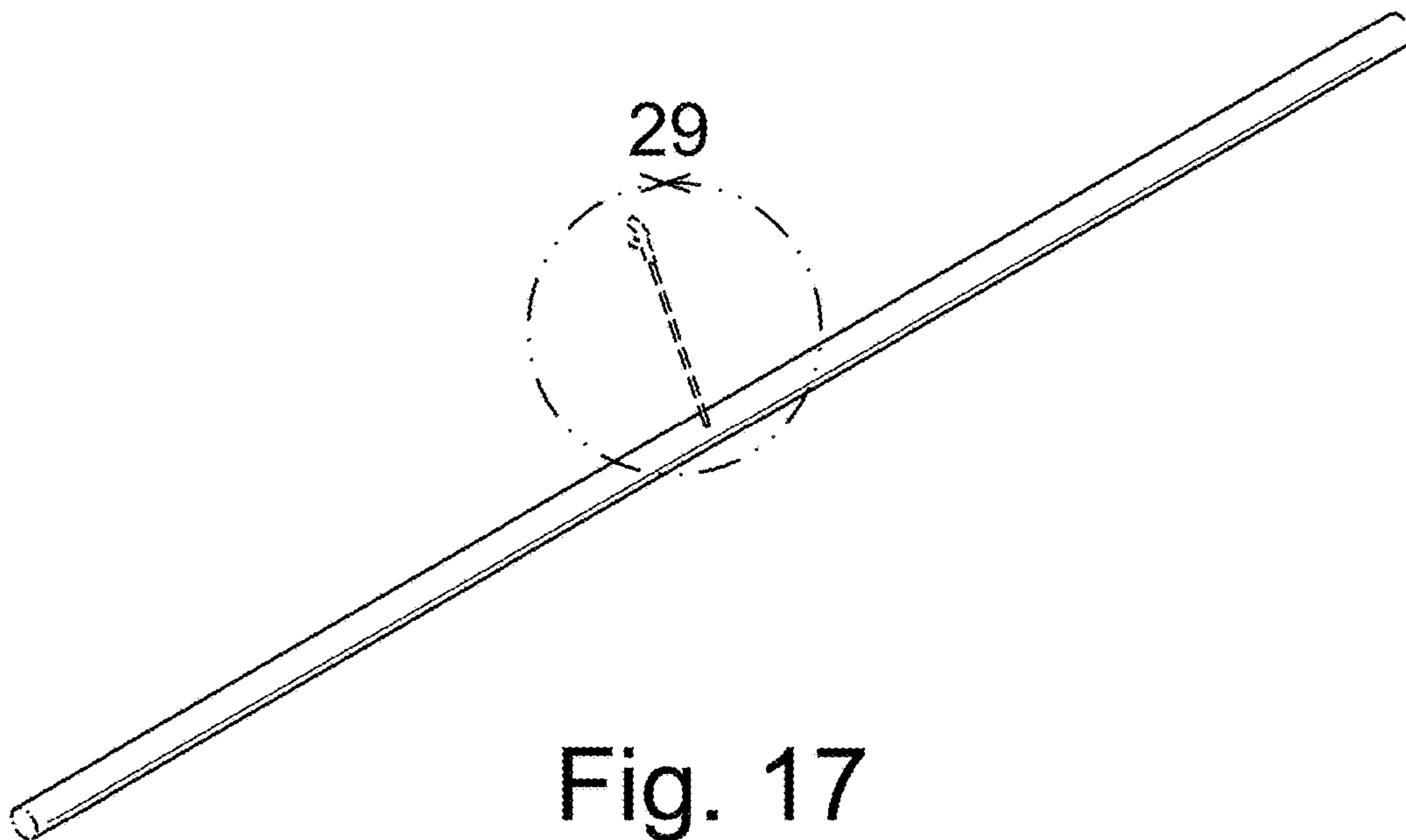


Fig. 17

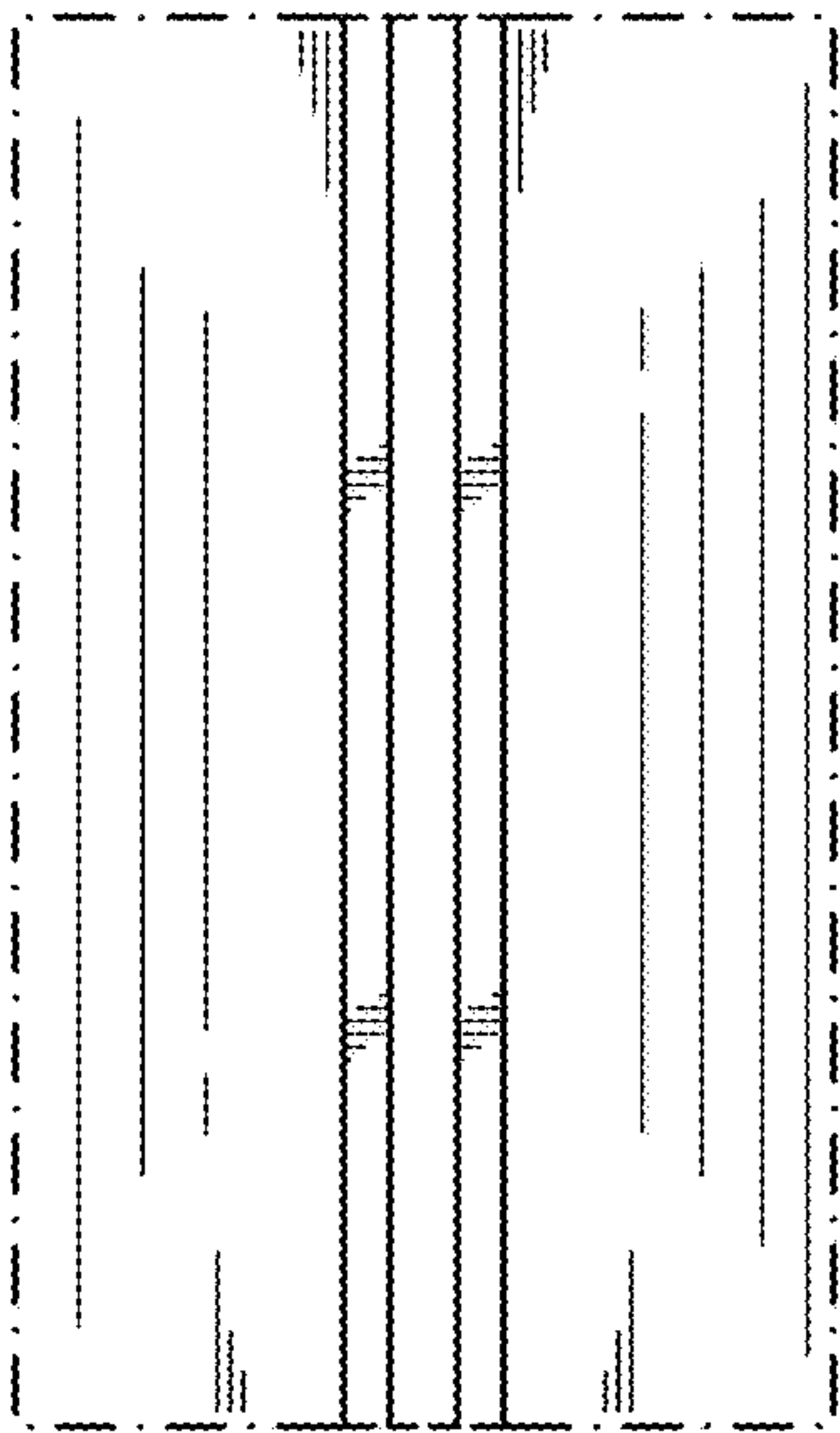


Fig. 26

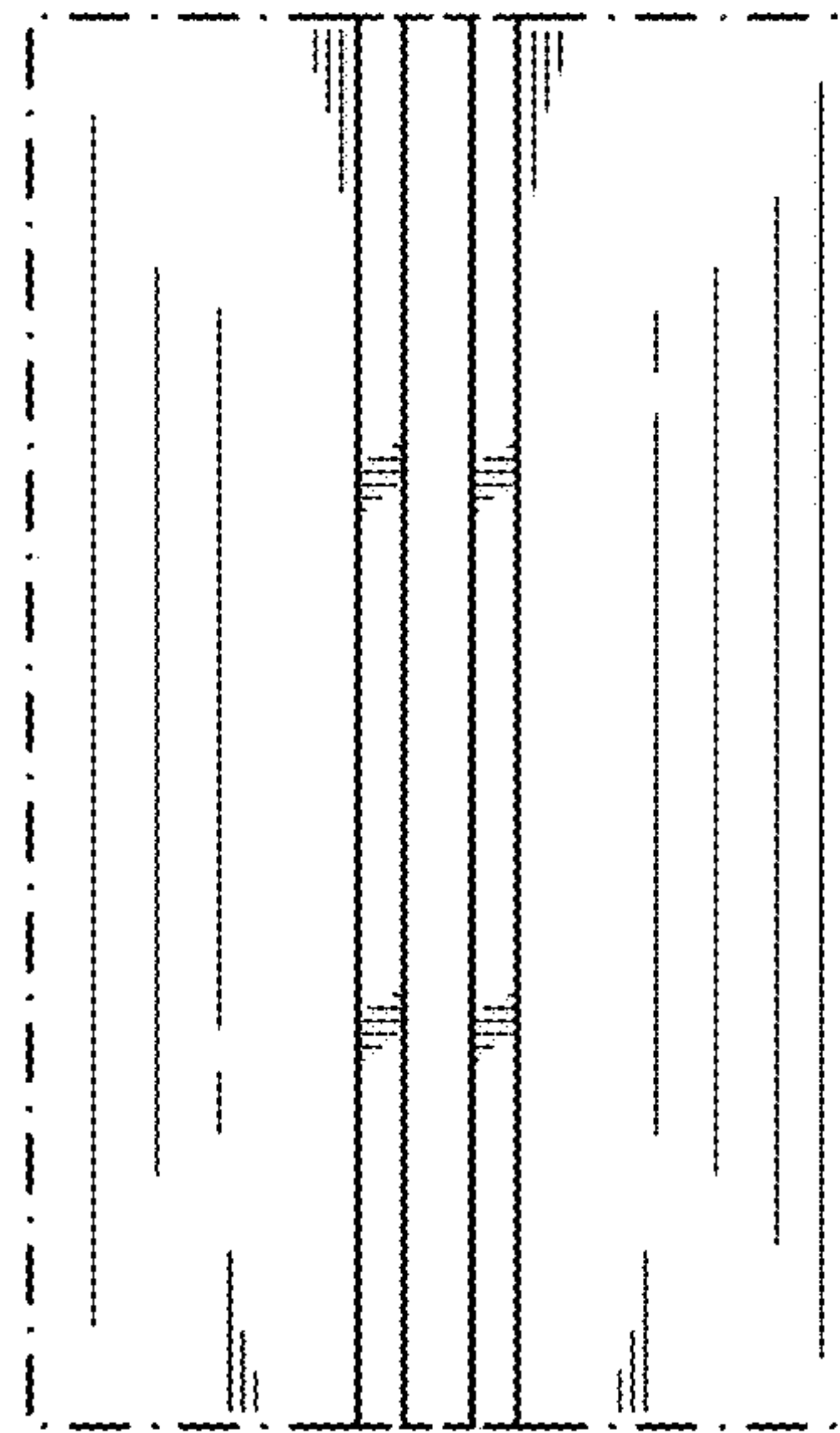


Fig. 27



Fig. 24

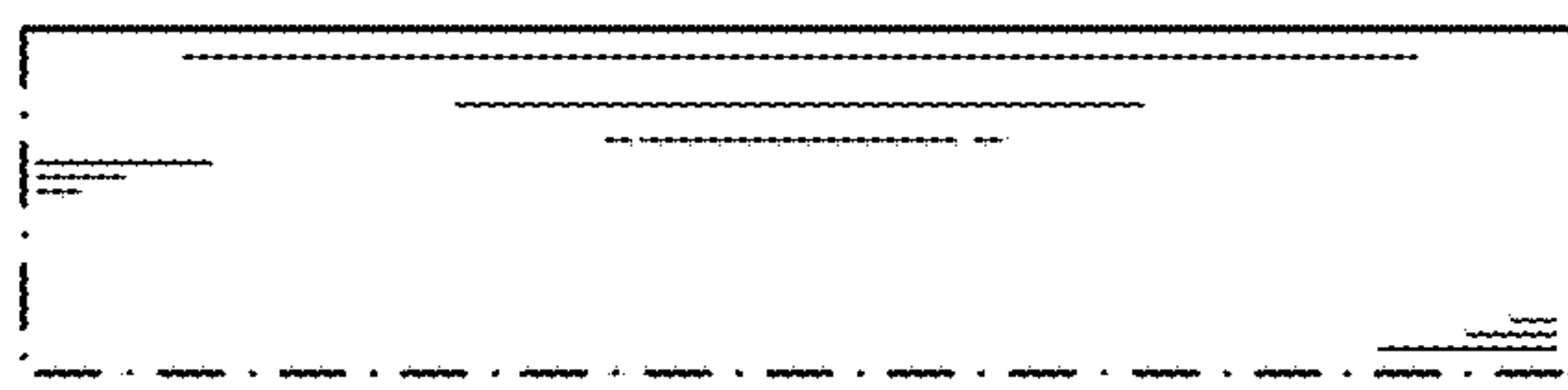


Fig. 25

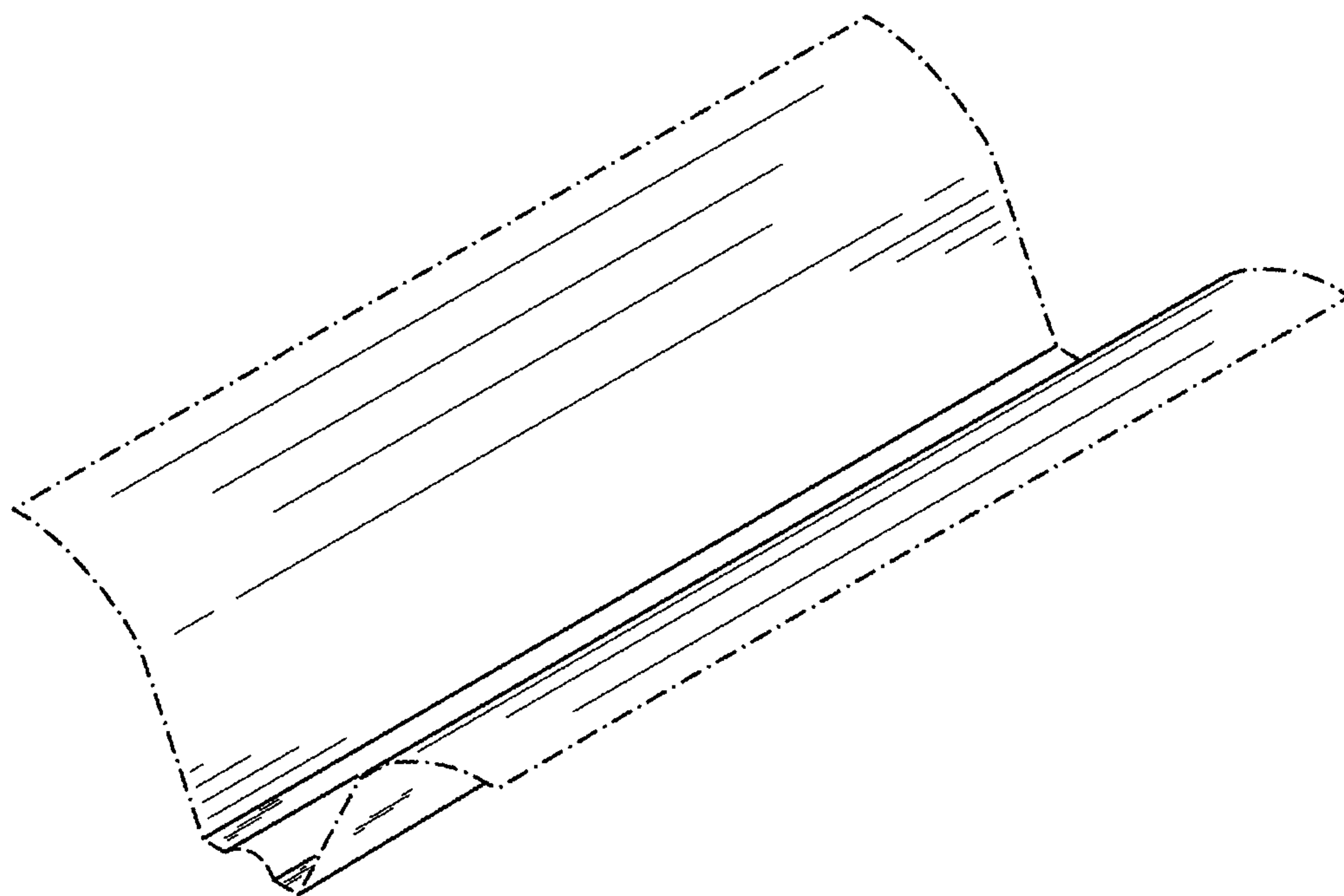


Fig. 28

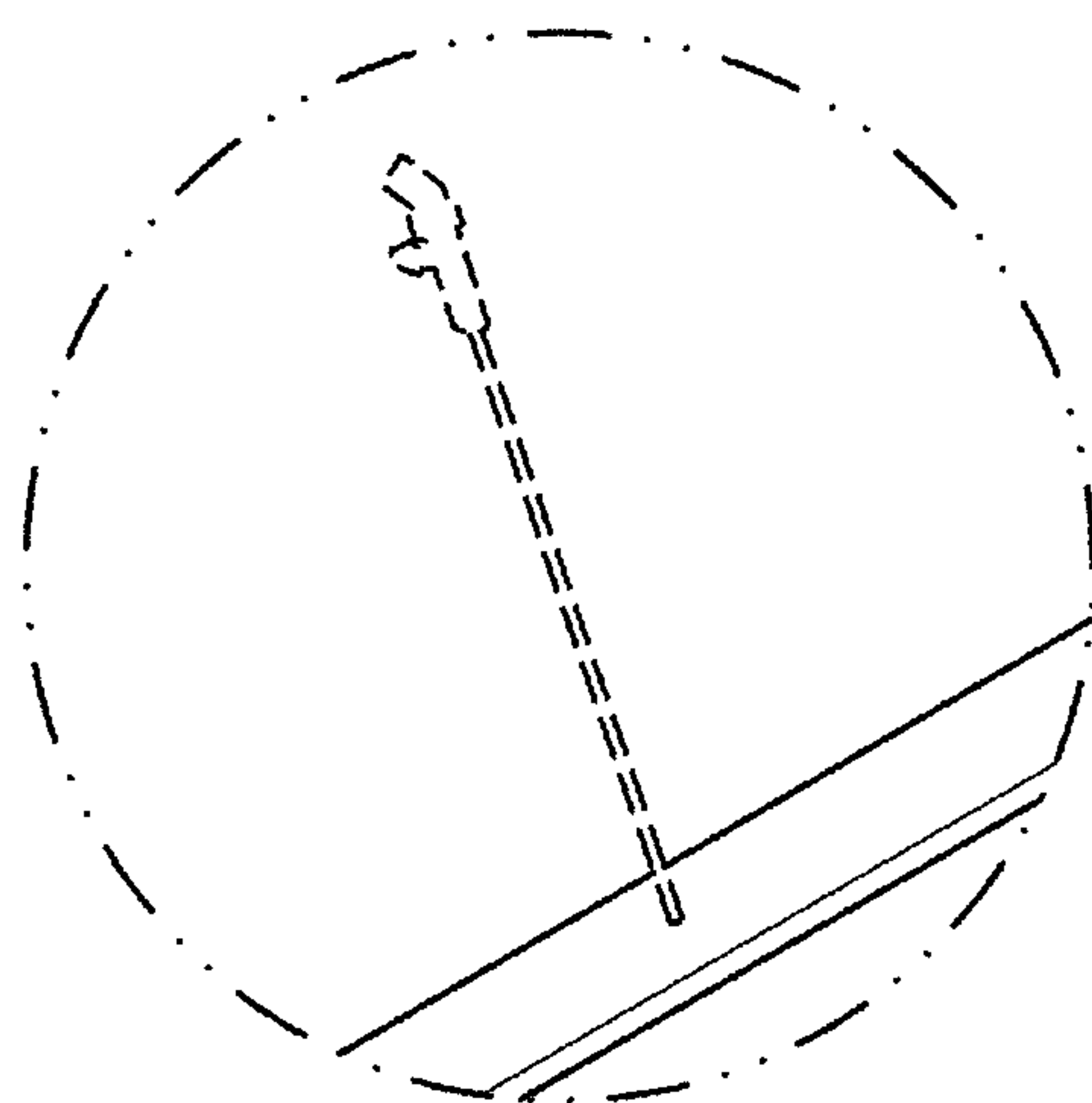


Fig. 29