



US00D835478S

(12) **United States Design Patent** (10) **Patent No.:** **US D835,478 S**
Kokubo (45) **Date of Patent:** **** Dec. 11, 2018**

(54) **SPIN COLANDER**

D764,242 S * 8/2016 Frank D7/667
2003/0217649 A1* 11/2003 Leonori A47J 43/24
99/495

(71) Applicant: **KOKUBO & CO., LTD.**, Wakayama (JP)

* cited by examiner

(72) Inventor: **Yoshiaki Kokubo**, Wakayama (JP)

Primary Examiner — Terry A Wallace

(73) Assignee: **KOKUBO & CO., LTD.**, Wakayama (JP)

(74) *Attorney, Agent, or Firm* — Culpepper IP, LLC;
Kerry S. Culpepper

(**) Term: **15 Years**

(21) Appl. No.: **29/625,340**

(57) **CLAIM**

I claim the ornamental design for a spin colander, as shown.

(22) Filed: **Nov. 8, 2017**

(51) **LOC (11) Cl.** **07-04**

(52) **U.S. Cl.**

USPC **D7/667**

(58) **Field of Classification Search**

USPC D7/665–668, 669, 368, 584, 586, 587

CPC .. A47J 27/16; A47J 31/06; A47J 43/22; A47J
43/24; A47J 43/00; A47J 42/28; A47J
42/286; A47J 36/20; A47J 36/22

See application file for complete search history.

DESCRIPTION

FIG. 1 is a perspective view;

FIG. 2 is a front view;

FIG. 3 is a rear view;

FIG. 4 is a left side view;

FIG. 5 is a right side view;

FIG. 6 is a top view;

FIG. 7 is a bottom view;

FIG. 8 is a front view with the spin colander completely open; and,

FIG. 9 is an exploded perspective view.

Any broken lines shown represent unclaimed subject matter and form no part of the claimed design.

(56) **References Cited**

U.S. PATENT DOCUMENTS

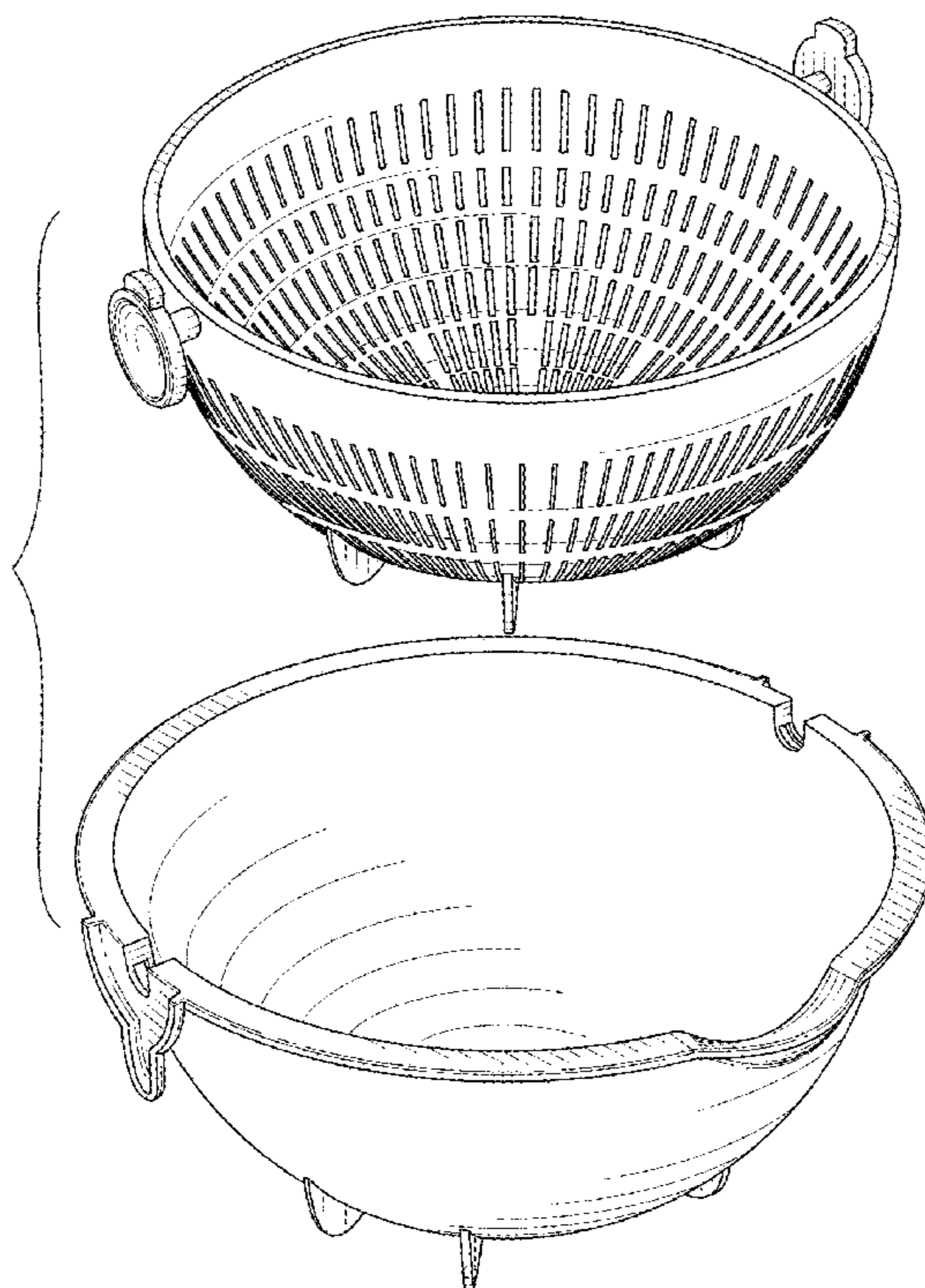
6,949,190 B2 * 9/2005 Hutzler A47J 43/24

210/248

7,678,271 B2 * 3/2010 Curtin A47J 43/22

141/337

1 Claim, 7 Drawing Sheets



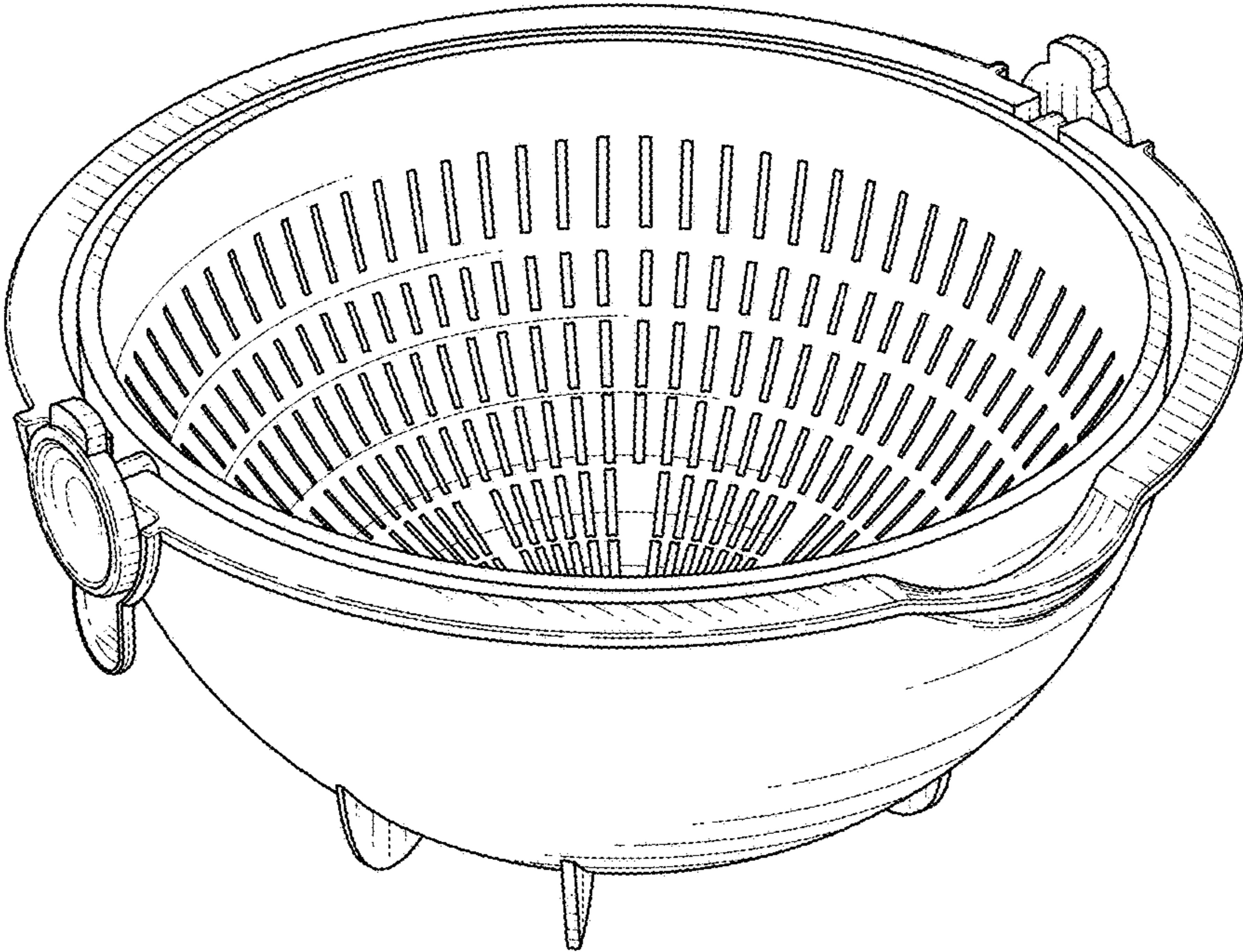


FIG. 1

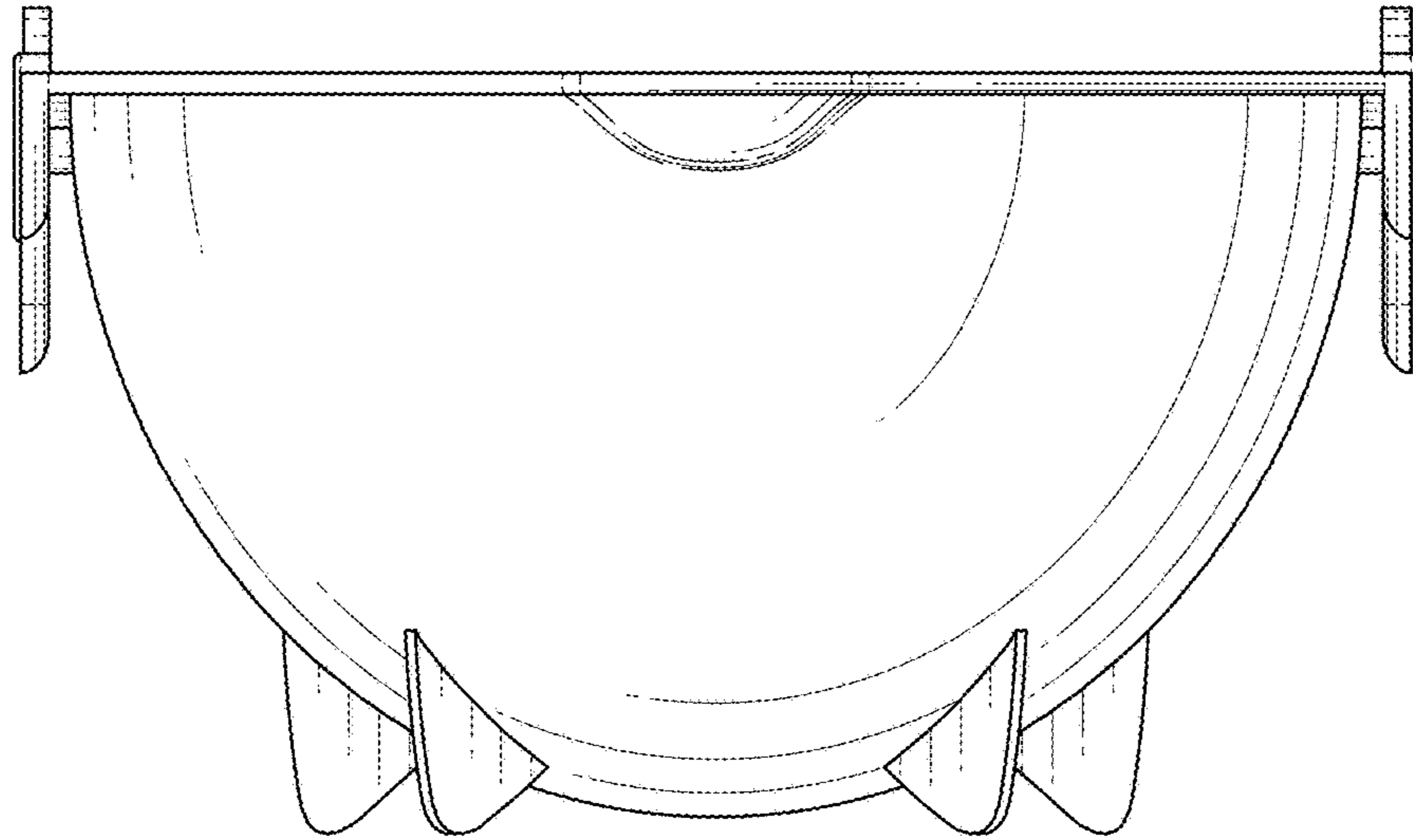


FIG. 2

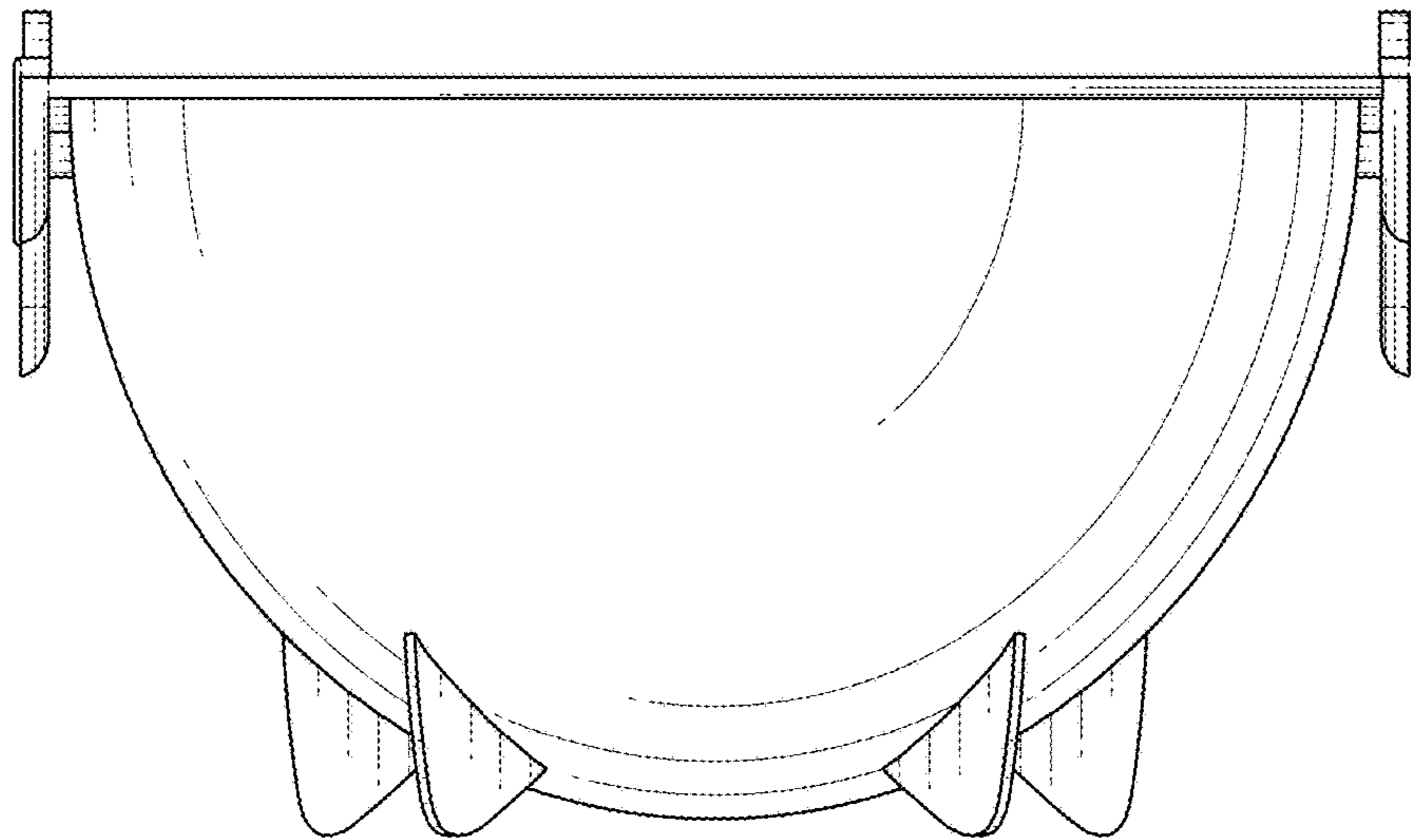


FIG. 3

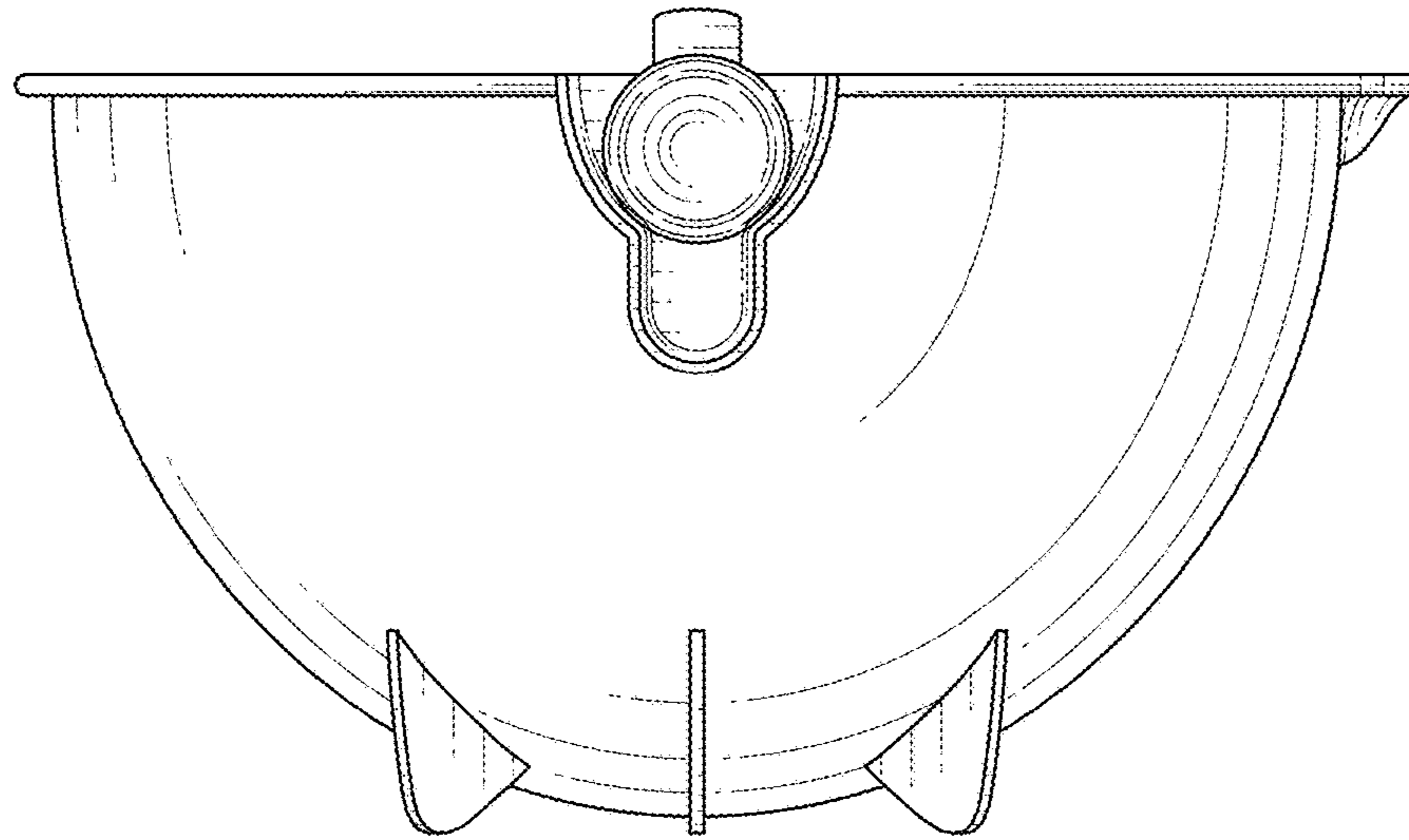


FIG. 4

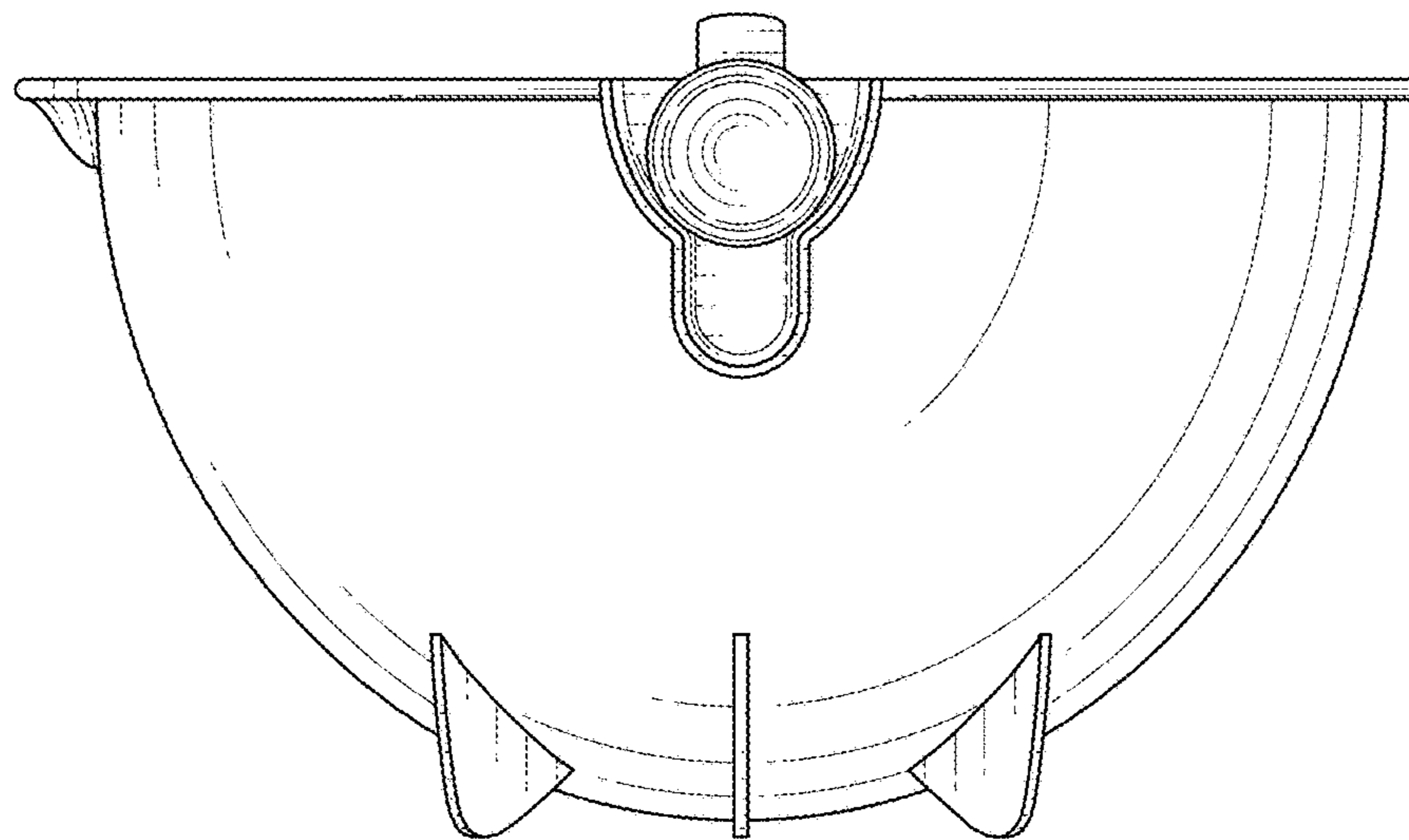


FIG. 5

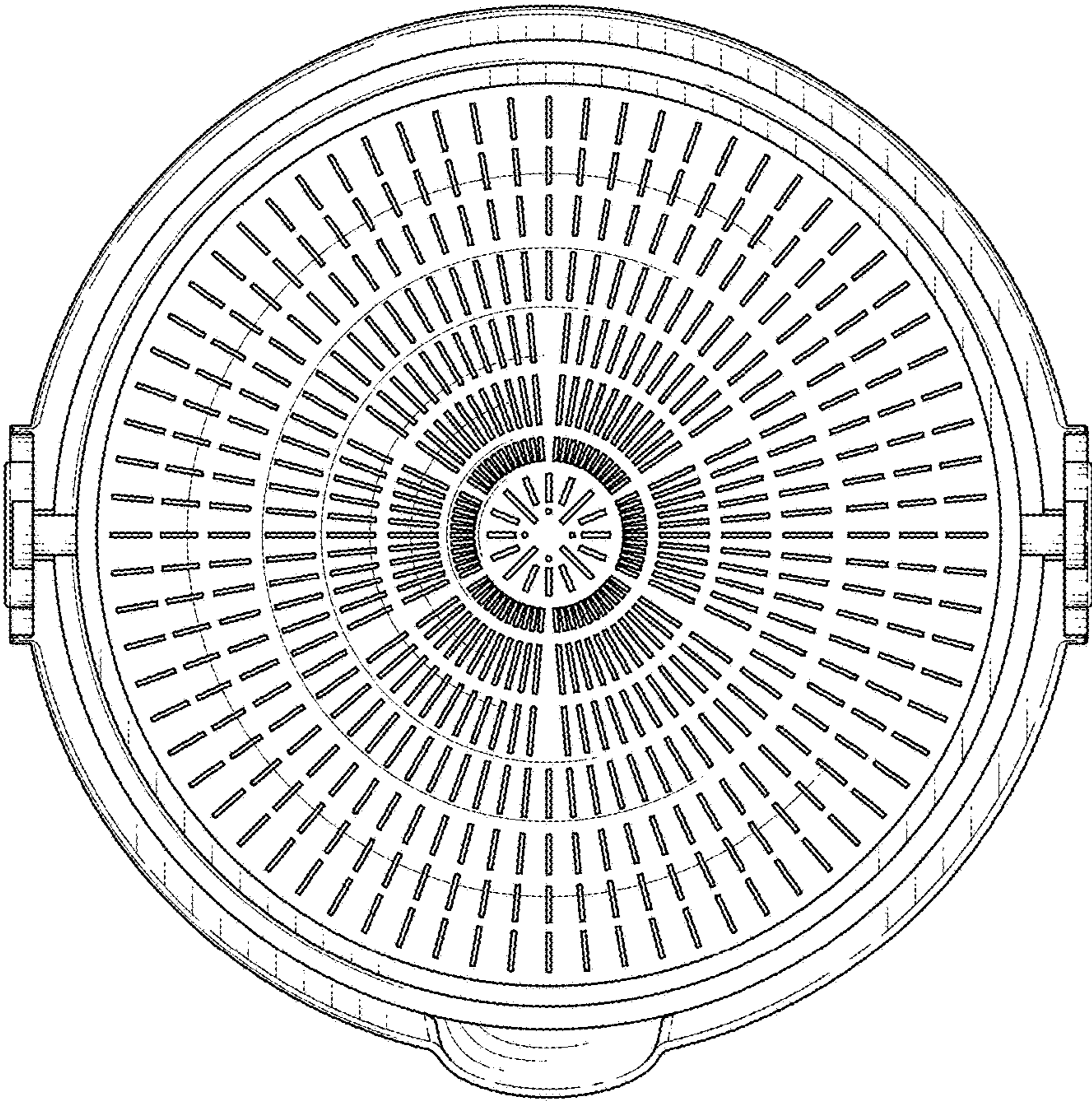


FIG. 6

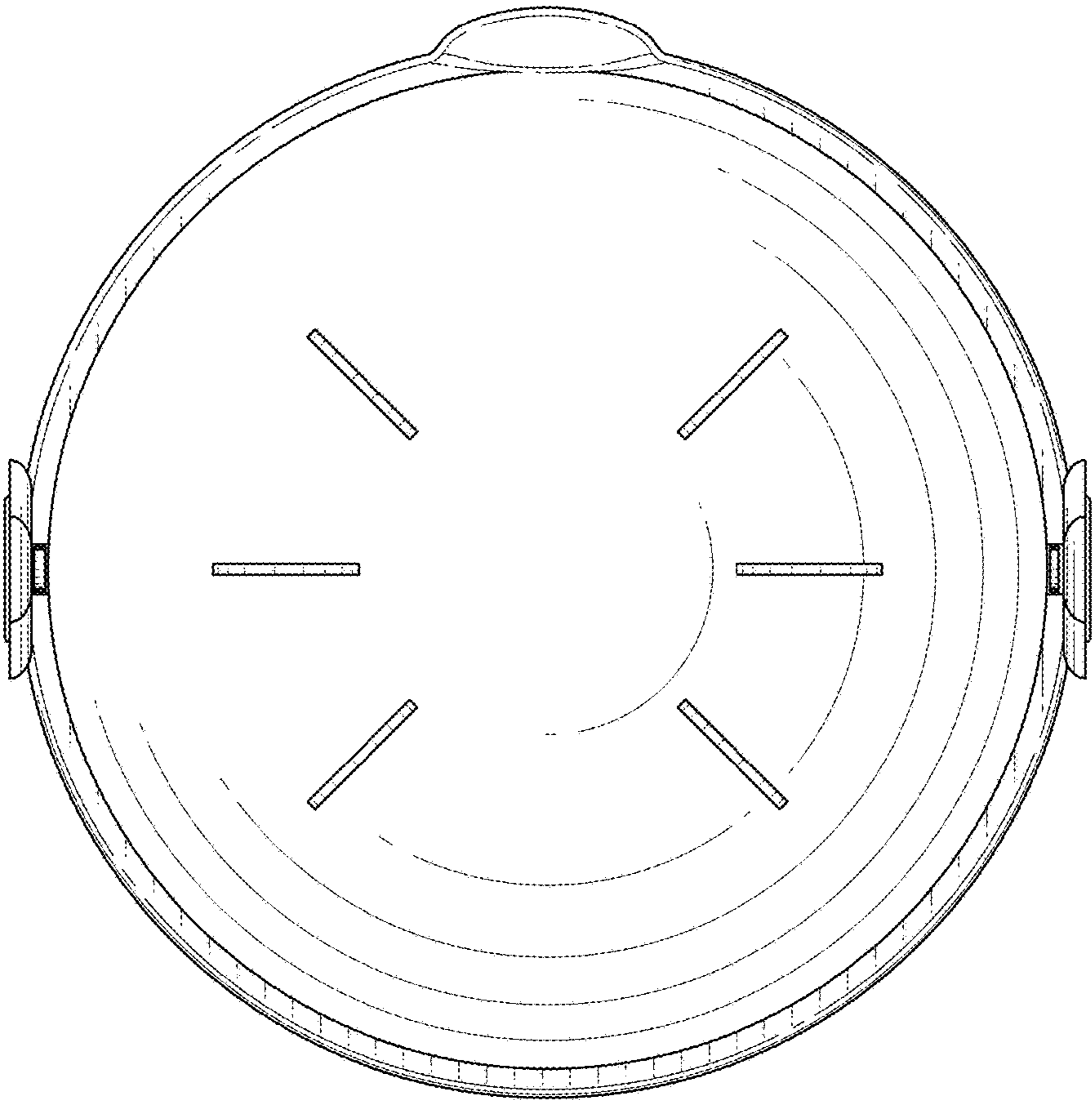


FIG. 7

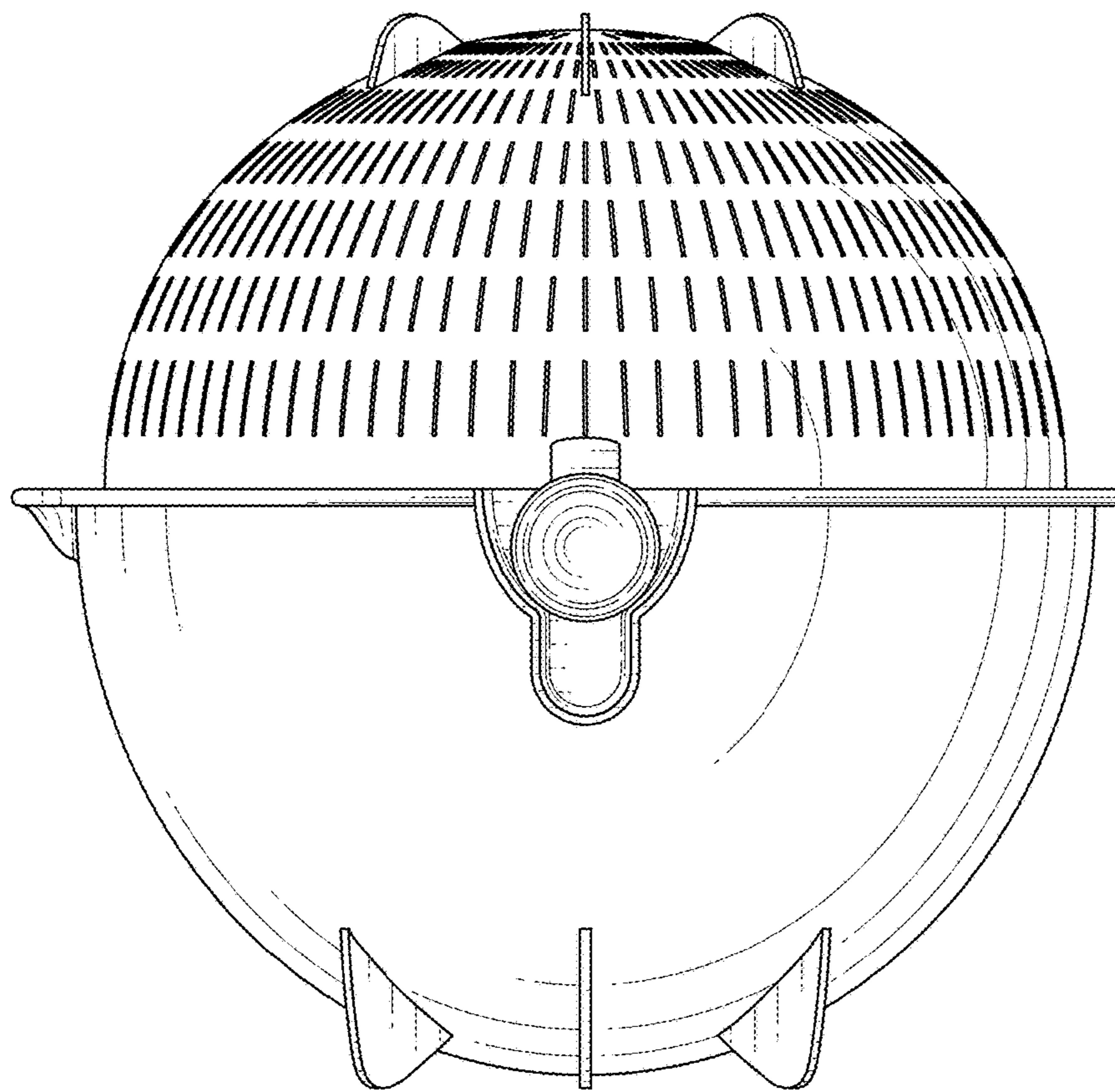


FIG. 8

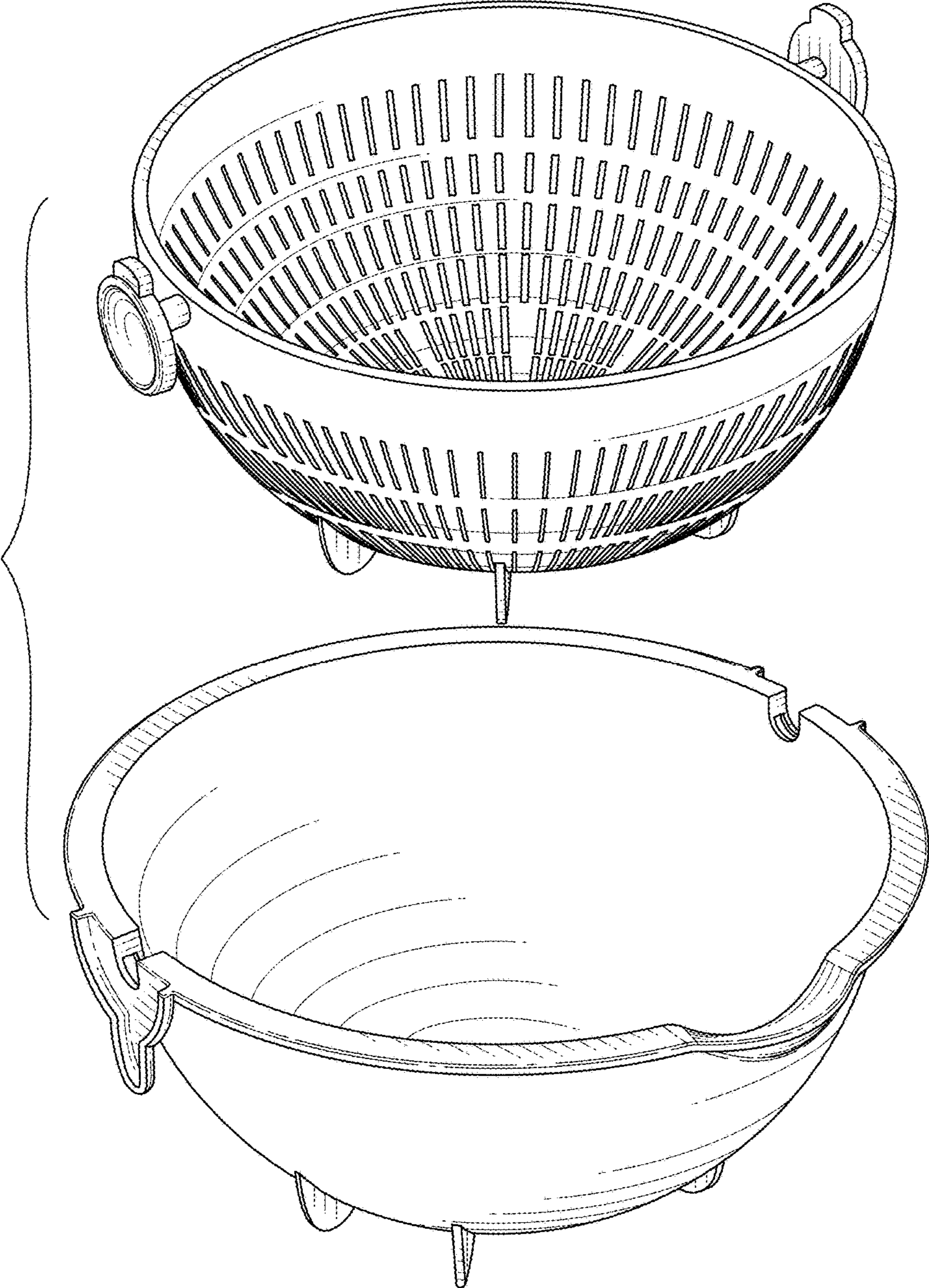


FIG. 9