



US00D835476S

(12) **United States Design Patent**
Goodman et al.

(10) **Patent No.:** **US D835,476 S**

(45) **Date of Patent:** **** Dec. 11, 2018**

(54) **NAPKIN HOLDER**

(71) Applicant: **Spectrum Diversified Designs, LLC**,
Streetsboro, OH (US)

(72) Inventors: **Aaron Goodman**, Beachwood, OH
(US); **Xuemei Yuan**, Stow, OH (US)

(73) Assignee: **SPECTRUM DIVERSIFIED
DESIGNS, LLC**, Streetsboro, OH (US)

(**) Term: **15 Years**

(21) Appl. No.: **29/589,921**

(22) Filed: **Jan. 5, 2017**

(51) **LOC (11) Cl.** **07-06**

(52) **U.S. Cl.**
USPC **D7/631**

(58) **Field of Classification Search**
USPC D3/306; D6/566-574; D7/631,
D7/637-641; D19/75, 81-86, 90, 92;
211/41.4, 70.7, 85.31, 90.03, 106, 126.8,
211/126.9, 133.2, 133.5; 220/485-488,
220/491; 248/37.3, 37.6, 153, 175
CPC .. A47F 7/00; A47F 7/14; A47G 21/00; A47G
21/16; G09F 1/14
See application file for complete search history.

(56) **References Cited**

U.S. PATENT DOCUMENTS

D219,205 S * 11/1970 Propst D3/306
D407,930 S * 4/1999 Camilleri D3/306
D640,510 S * 6/2011 Guindi D7/631

D690,769 S * 10/2013 Hu D19/92
D693,577 S * 11/2013 Goodman D3/306
D710,124 S * 8/2014 Goodman D3/306
D744,296 S * 12/2015 Goodman D7/631
D748,441 S * 2/2016 Goodman D7/631

OTHER PUBLICATIONS

[Http://www.mesahomeproducts.com/get-organized/delaware-fruit-basket-with-banana-hanger-with-antiqued-black-finish](http://www.mesahomeproducts.com/get-organized/delaware-fruit-basket-with-banana-hanger-with-antiqued-black-finish); Mesa Delaware Fruit Basket with Banana Hanger; 1 page; Dec. 13, 2016.

* cited by examiner

Primary Examiner — Derrick E Holland

Assistant Examiner — Janice Patyk

(74) *Attorney, Agent, or Firm* — Tucker Ellis LLP

(57) **CLAIM**

The ornamental design for a napkin holder, as shown and described.

DESCRIPTION

FIG. 1 is a perspective view of a napkin holder showing our new design.

FIG. 2 is a front view thereof.

FIG. 3 is a rear view thereof.

FIG. 4 is a right side view thereof.

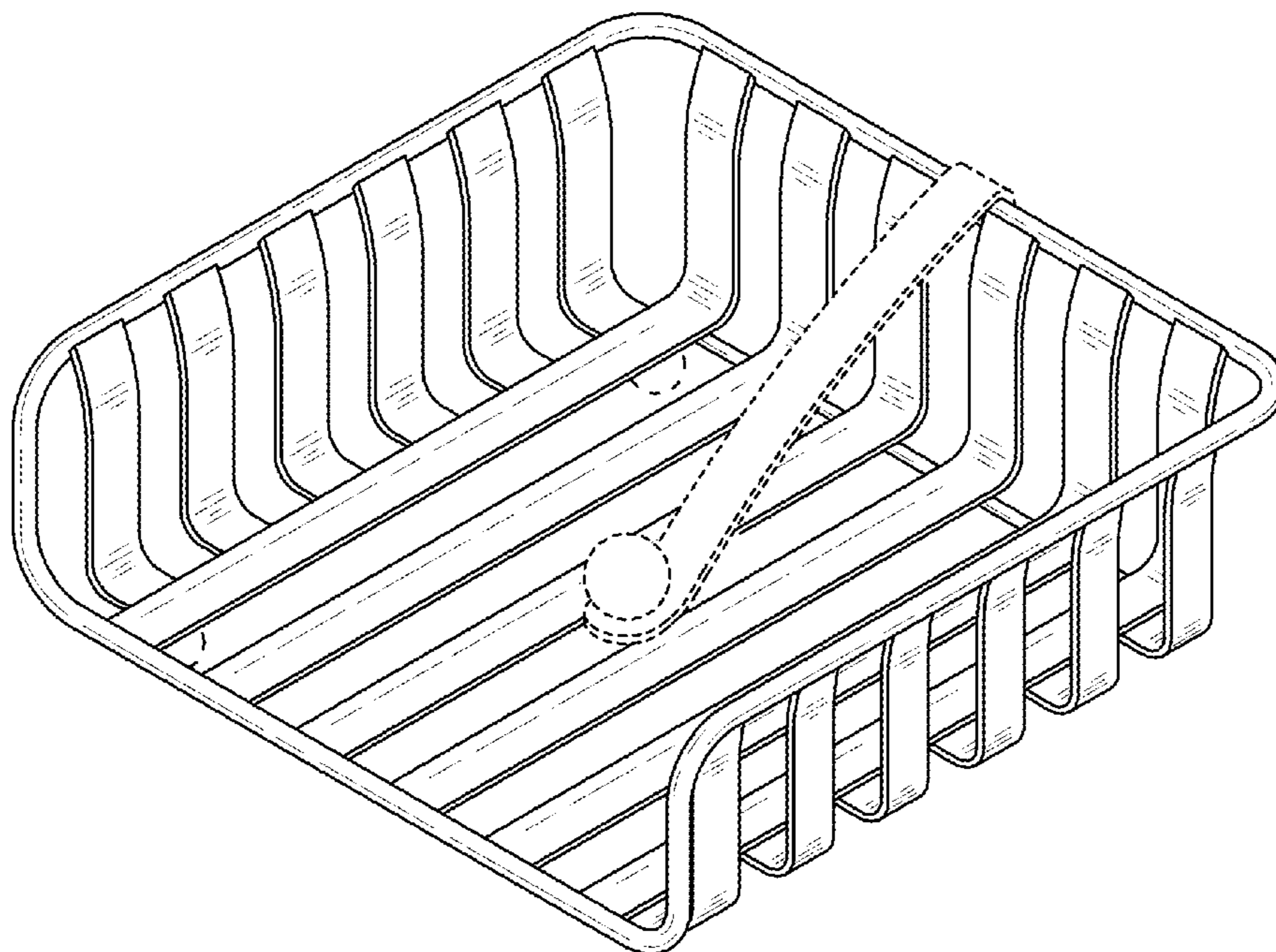
FIG. 5 is a left side view thereof.

FIG. 6 is a top view thereof; and,

FIG. 7 is a bottom view thereof.

The broken lines in the figures illustrate the portions of the design that form no part of the claimed design.

1 Claim, 4 Drawing Sheets



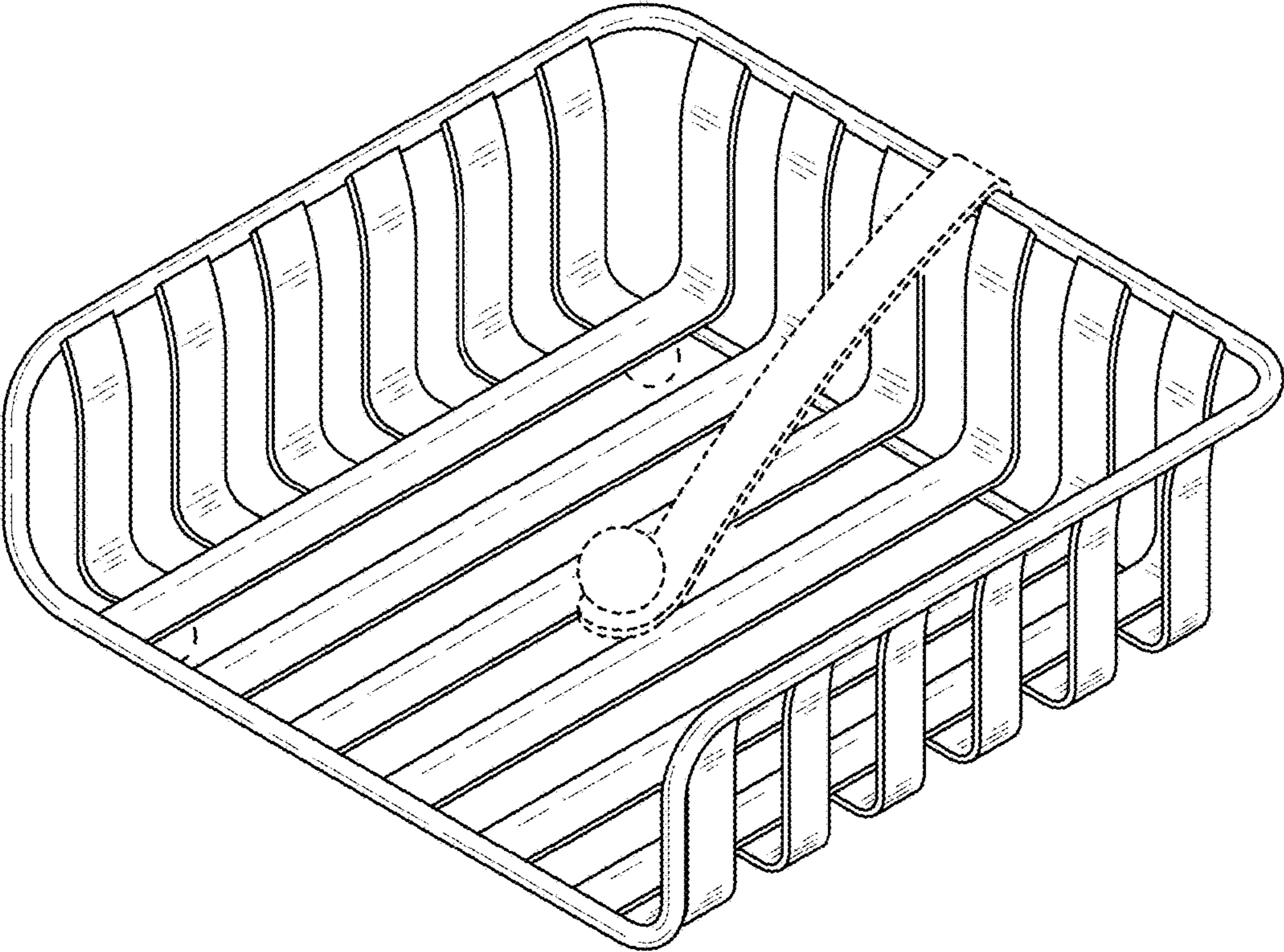


FIG. 1

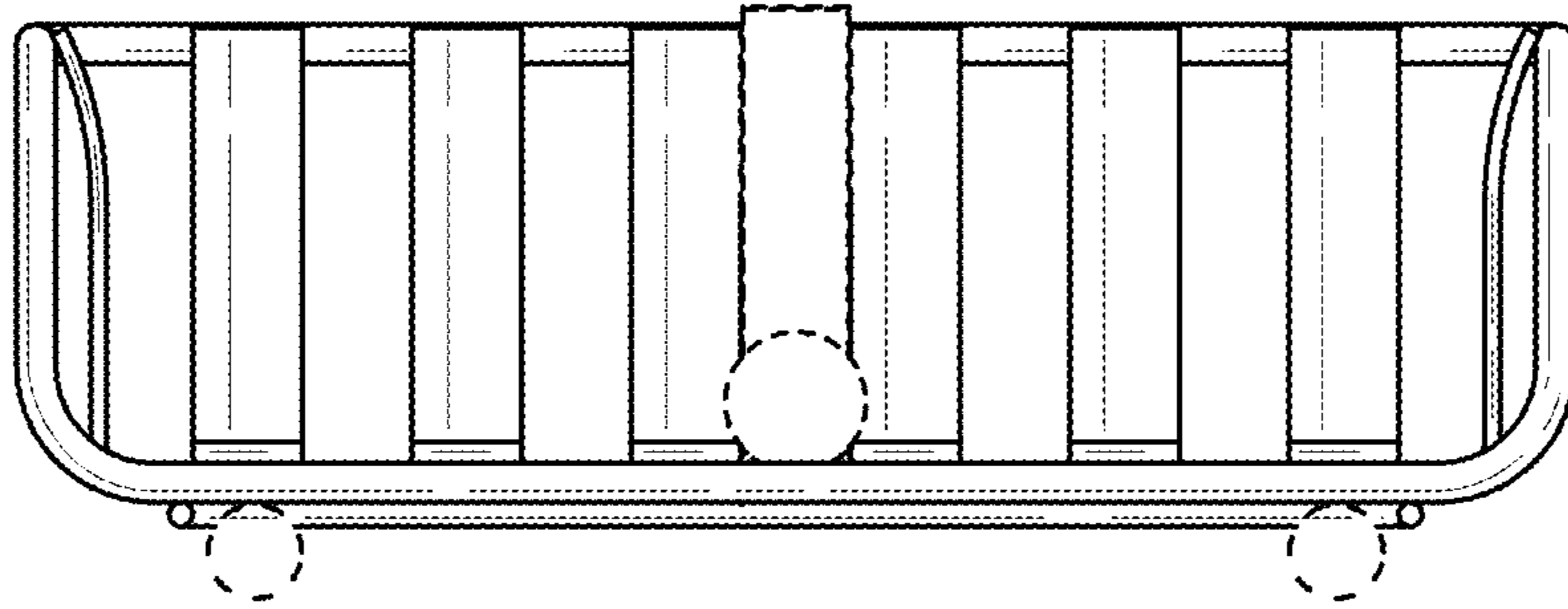


FIG. 2

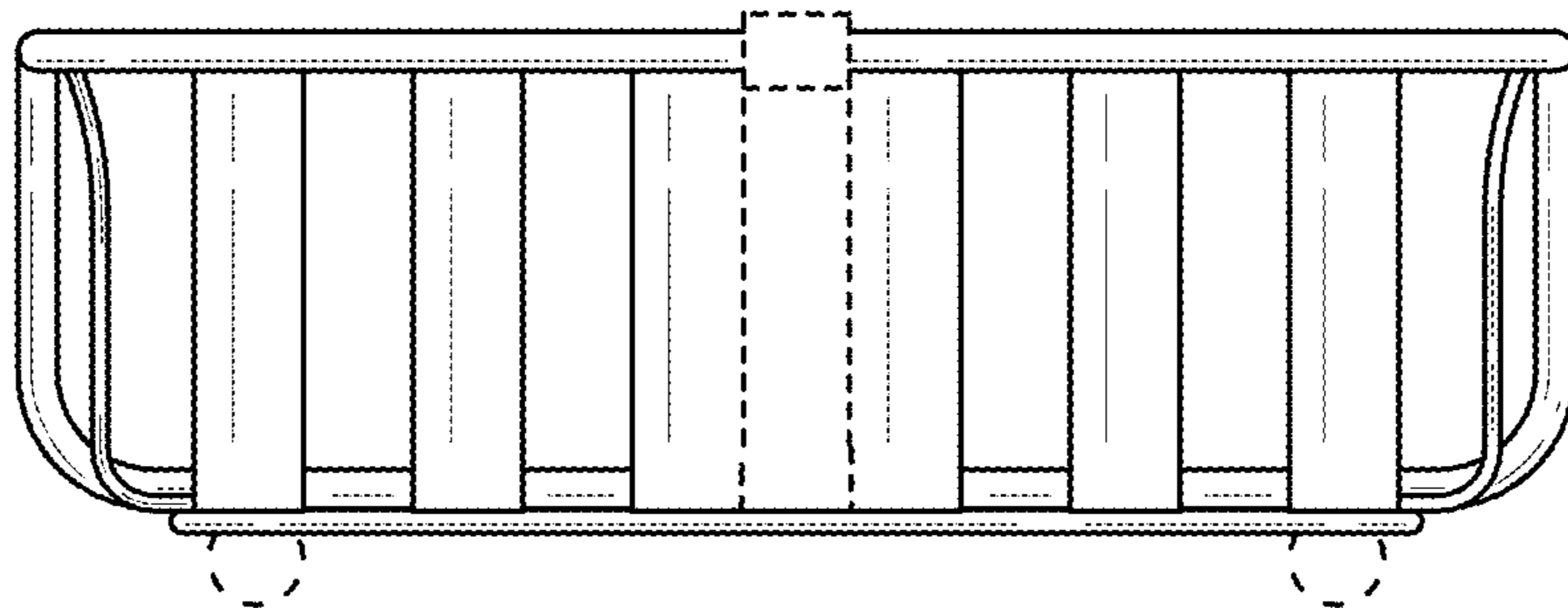


FIG. 3

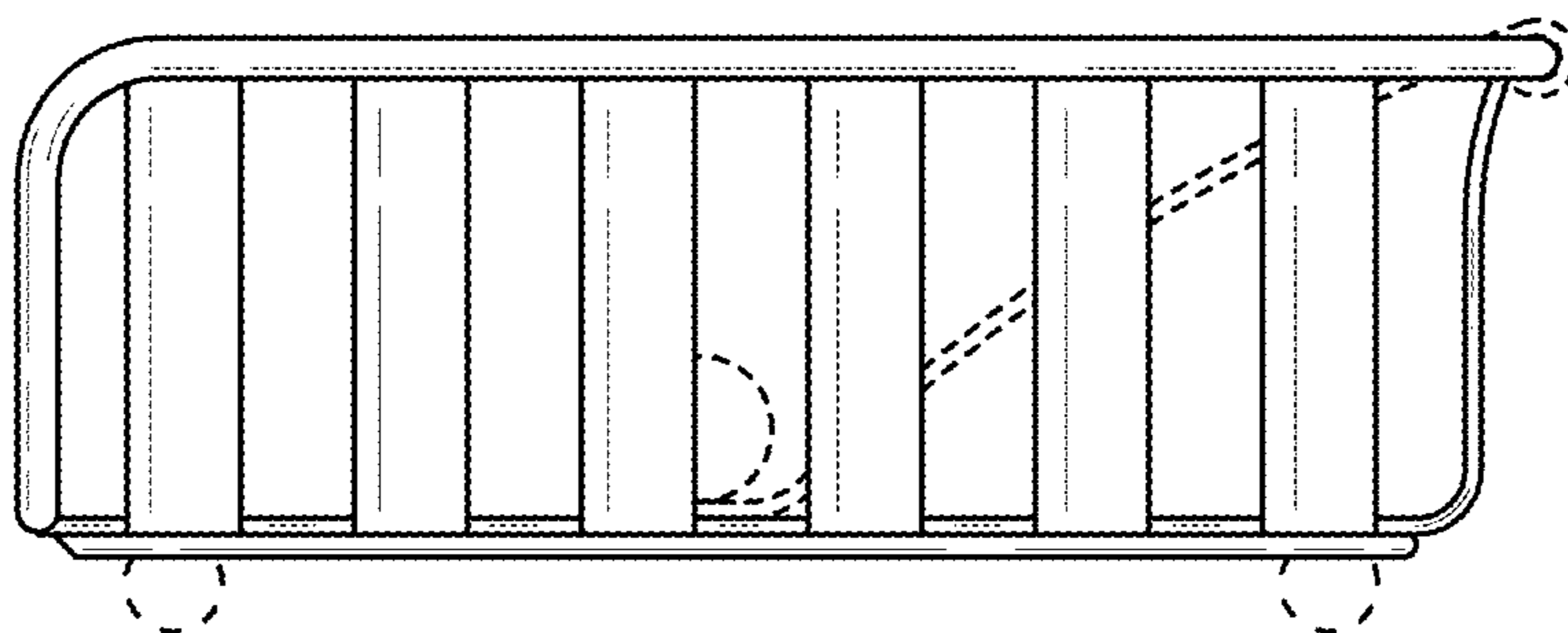


FIG. 4

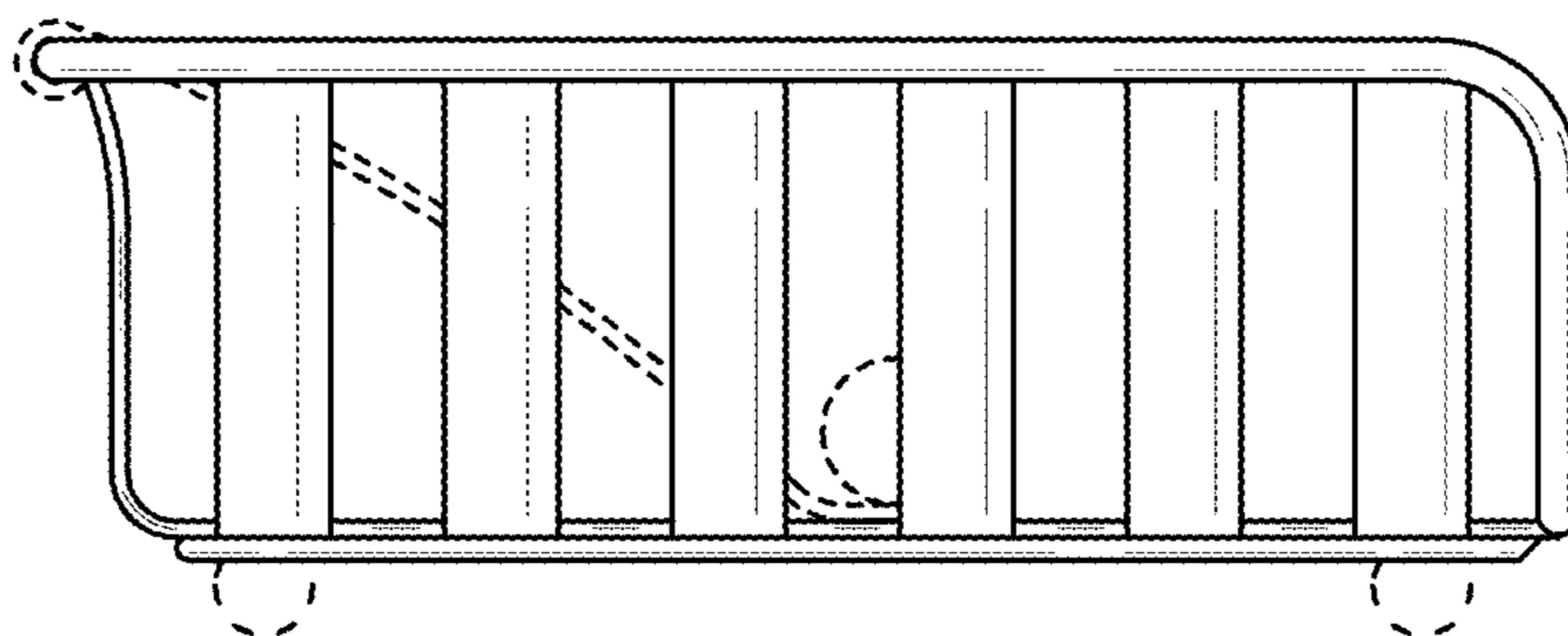


FIG. 5

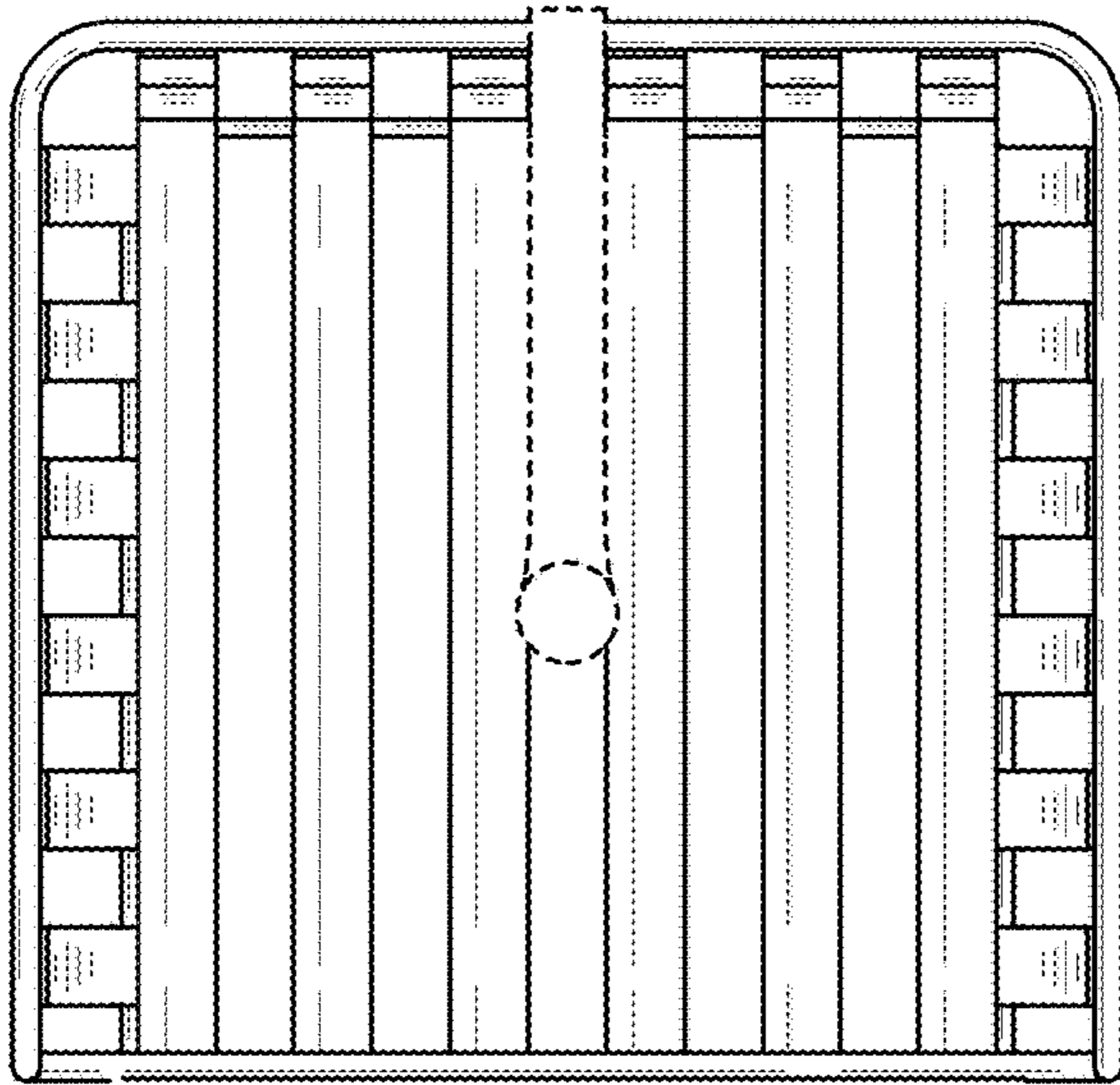


FIG. 6

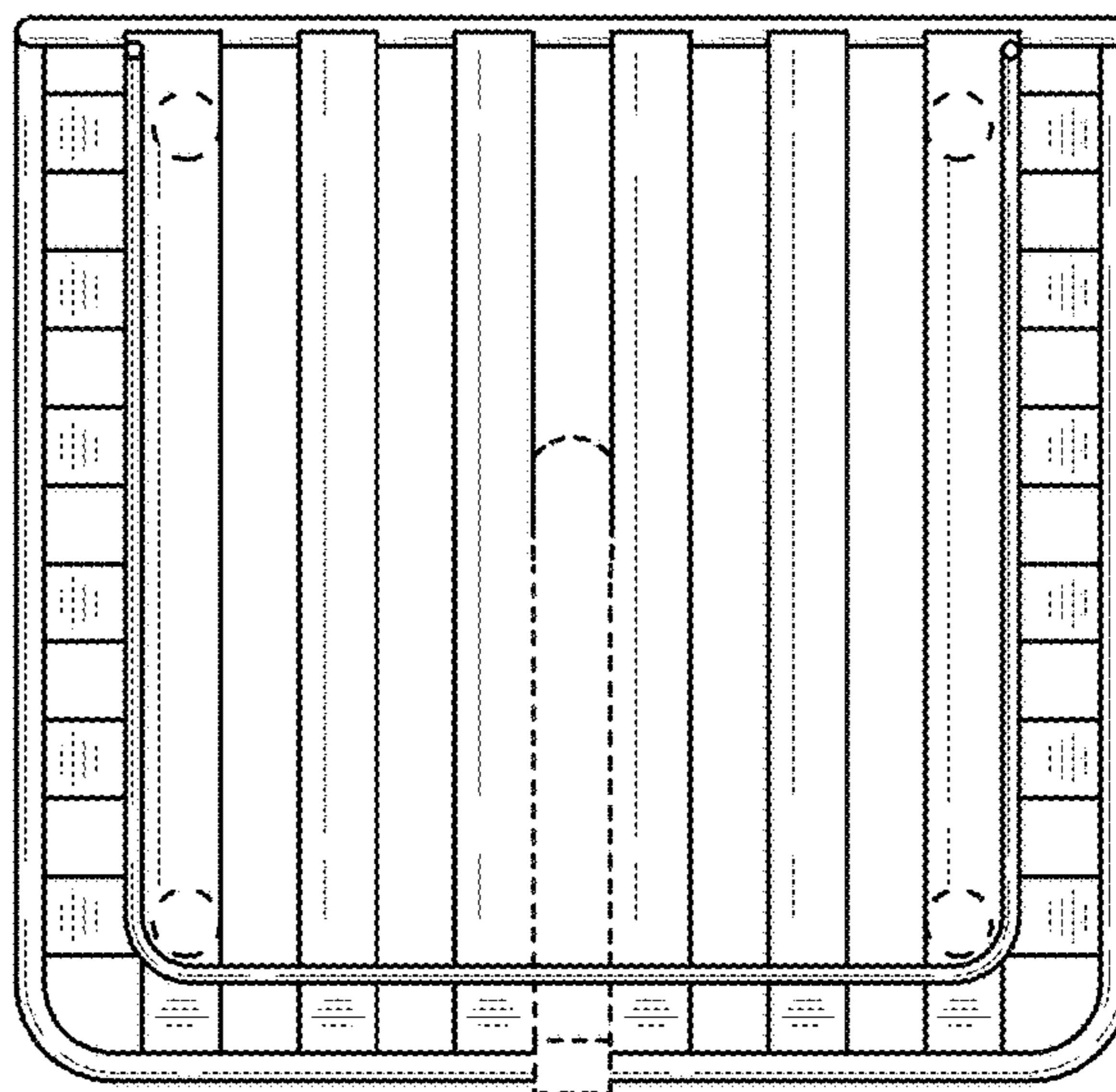


FIG. 7