



US00D835472S

(12) **United States Design Patent** (10) **Patent No.:** **US D835,472 S**
Seiders et al. (45) **Date of Patent:** **** Dec. 11, 2018**

(54) **COMBINED CONTAINER MOUNTING APPARATUS AND CONTAINER**

FOREIGN PATENT DOCUMENTS

(71) Applicant: **YETI Coolers, LLC**, Austin, TX (US)

DE 10210055 A1 10/2003
DE 102004041583 A1 3/2006

(Continued)

(72) Inventors: **Roy Joseph Seiders**, Austin, TX (US);
James William Sonntag, Austin, TX (US);
Christopher Mall Keller, Austin, TX (US);
Steve Charles Nichols, Austin, TX (US);
Martin Patrick Vespo, Austin, TX (US)

OTHER PUBLICATIONS

(73) Assignee: **YETI Coolers, LLC**, Austin, TX (US)

MVP 7812 package—3 Burner Grill, Tailgate Transport & Ice Chest Tray [online], [retrieved Oct. 12, 2017], Retrieved from the Internet, URL: <http://partykinggrills.com/shop/mvp-grill-tailgate-transport-ice-chest-tray/>; 5 color pages, published date unknown, but for purposes of patent prosecution presumably more than a year prior to the filing date of the present application.

(Continued)

(**) Term: **15 Years**

Primary Examiner — Terry A Wallace

(21) Appl. No.: **29/610,468**

(74) *Attorney, Agent, or Firm* — Banner & Witcoff, Ltd.

(22) Filed: **Jul. 12, 2017**

(51) **LOC (11) Cl.** **07-01**

(52) **U.S. Cl.**

USPC **D7/605**

(58) **Field of Classification Search**

USPC D7/605–608, 629, 630, 272–274
CPC .. A45C 11/20; A45C 5/14; A45C 5/03; A45C 9/00; A47B 77/08; A47J 41/022; A47G 19/2288; B26B 3/003; F25B 19/00; F25D 3/08; F25D 3/12; F25D 3/14; F25D 3/02; F25D 2331/804; F25D 2400/08; F25D 31/005; B65D 81/3858; B65D 81/3823; B65D 81/3813; B65D 81/3888; B65D 81/3816; A45F 5/10; A45F 2005/1006; A45F 2005/1013

See application file for complete search history.

(57) **CLAIM**

The ornamental design for a combined container mounting apparatus and container.

DESCRIPTION

FIG. 1 is a top, front, right perspective view of a combined container mounting apparatus and container showing our new design;

FIG. 2 is a front view thereof;

FIG. 3 is a rear view thereof;

FIG. 4 is a left side view thereof;

FIG. 5 is a right side view thereof;

FIG. 6 is a top view thereof;

FIG. 7 is a bottom view thereof; and,

FIG. 8 is a top, front, right perspective view of a combined container mounting apparatus and container in an alternate configuration.

The broken lines showing the remainder of the combined container mounting apparatus and container represent unclaimed subject matter and form no part of the claimed design.

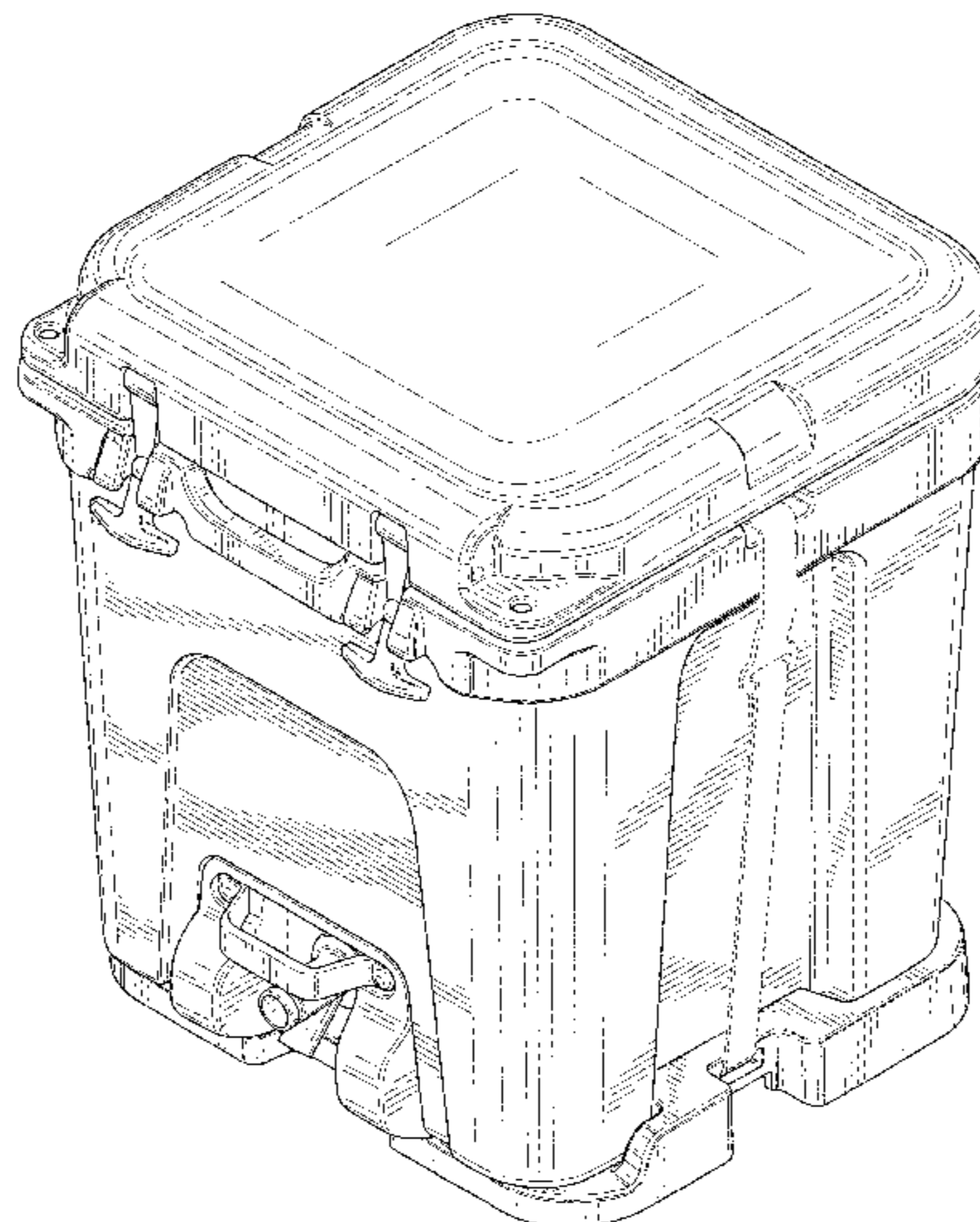
(56) **References Cited**

U.S. PATENT DOCUMENTS

1,565,686 A 12/1925 Titus
2,070,488 A 2/1937 McIntosh

(Continued)

1 Claim, 8 Drawing Sheets



(56)

References Cited

U.S. PATENT DOCUMENTS

2,628,062 A 2/1953 Weber
 3,111,014 A 11/1963 Herrick
 3,439,835 A 4/1969 Reid
 3,592,359 A 7/1971 Marraffino
 3,863,673 A 2/1975 Sitton
 3,923,949 A 12/1975 Kane et al.
 D248,440 S 7/1978 Bryan et al.
 4,162,029 A 7/1979 Gottsegen et al.
 D253,369 S 11/1979 Koelble et al.
 4,181,243 A 1/1980 Frahm
 D261,391 S 10/1981 Ranua et al.
 4,351,455 A 9/1982 Bond
 4,367,572 A 1/1983 Zielenski
 D270,704 S 9/1983 Ruxton et al.
 4,440,316 A 4/1984 Christine
 D290,080 S * 6/1987 Carlson D7/605
 4,742,851 A 5/1988 Lundblade
 4,805,859 A 2/1989 Hudson
 4,936,409 A 6/1990 Nix et al.
 5,165,645 A 11/1992 Brown
 5,222,631 A 6/1993 Hood
 D365,747 S 1/1996 Grande
 D368,129 S 3/1996 Peeples
 5,535,883 A 7/1996 Henderson
 5,607,084 A 3/1997 George
 5,827,023 A 10/1998 Stull
 5,860,281 A * 1/1999 Coffee A45C 11/20
 312/298
 5,913,448 A 6/1999 Mann et al.
 5,971,218 A 10/1999 Le
 6,059,143 A 5/2000 Weir
 6,102,356 A 8/2000 Huntley et al.
 6,105,844 A 8/2000 Walters et al.
 6,126,046 A 10/2000 Baculy
 6,126,124 A 10/2000 Wagner
 6,176,562 B1 1/2001 Hart
 6,302,051 B1 10/2001 Hemmingson
 D451,765 S 12/2001 Israel et al.
 6,386,557 B1 5/2002 Weldon
 6,401,752 B1 6/2002 Blackboum et al.
 6,405,557 B1 6/2002 DeCastro et al.
 6,427,886 B1 8/2002 Essex
 D468,071 S 12/2002 Le et al.
 6,491,189 B2 12/2002 Friedman
 6,527,153 B1 3/2003 Manos
 D472,762 S 4/2003 Song
 6,564,893 B2 5/2003 Lipman
 6,666,362 B1 12/2003 LeTrudet
 6,755,428 B2 6/2004 Butler
 6,845,786 B1 1/2005 Ophardt et al.
 D504,713 S 5/2005 Py et al.
 6,896,158 B2 5/2005 Leray et al.
 D528,368 S * 9/2006 Maldonado D7/605
 D546,119 S 7/2007 Dodge
 7,269,969 B2 9/2007 Strickland et al.
 7,311,229 B1 12/2007 Wrigley
 7,328,818 B2 2/2008 Prabucki
 7,331,559 B2 2/2008 Hirayu
 D566,479 S 4/2008 Kabalin
 D571,188 S 6/2008 Brassard
 7,455,281 B2 11/2008 Craft
 7,669,828 B2 3/2010 Hardy et al.
 7,802,709 B1 9/2010 Lewis et al.
 D626,406 S 11/2010 Tedesco et al.
 7,841,635 B2 11/2010 Fuchs
 D628,566 S 12/2010 Molter
 D648,006 S 11/2011 Morishita
 D651,860 S * 1/2012 Nie D7/605
 8,123,236 B1 2/2012 Helenihi
 D662,572 S 6/2012 Marquis-Martin
 8,230,697 B2 7/2012 Lavallee
 D674,245 S * 1/2013 Williams, Jr. D7/605
 D693,220 S 11/2013 Luo
 D695,568 S 12/2013 Hayes
 8,746,498 B2 6/2014 Maldonado et al.

8,827,230 B2 9/2014 Nemoto
 8,875,934 B2 * 11/2014 Deka B65D 81/3823
 220/23.88
 8,950,989 B1 2/2015 Rivera
 9,057,552 B2 6/2015 Vanderberg et al.
 D738,470 S 9/2015 Eaton et al.
 9,126,747 B2 9/2015 Burgess et al.
 9,150,163 B2 10/2015 Cronkright, II et al.
 9,150,353 B2 10/2015 Jackson
 D746,128 S 12/2015 Stanton
 9,199,657 B2 12/2015 Martin
 9,227,571 B1 1/2016 Wilkens
 9,227,768 B2 1/2016 Quick et al.
 D749,653 S 2/2016 Carnes
 9,278,704 B2 3/2016 Cates
 9,352,698 B2 5/2016 Romanelli
 D767,973 S 10/2016 DeDios-Shirley et al.
 D772,383 S 11/2016 Gill
 D773,621 S 12/2016 Gill
 D775,952 S 1/2017 Kim
 9,533,814 B2 1/2017 Brooks
 9,543,558 B2 1/2017 Templeman et al.
 9,550,508 B1 1/2017 Parra
 D782,620 S 3/2017 Becker et al.
 D785,140 S 4/2017 Gross
 D787,648 S 5/2017 Smith
 9,750,371 B2 9/2017 Bungard et al.
 9,878,841 B2 1/2018 Holderness et al.
 2002/0038745 A1 4/2002 Lamming
 2004/0232637 A1 11/2004 Butler
 2004/0251444 A1 12/2004 Levey et al.
 2005/0127081 A1 * 6/2005 Leba F25D 3/08
 220/761
 2006/0260327 A1 11/2006 Kanamori et al.
 2006/0261088 A1 11/2006 Chin
 2006/0261111 A1 11/2006 McCoy et al.
 2007/0045368 A1 3/2007 Lavelle
 2007/0095998 A1 5/2007 Gray
 2007/0152002 A1 7/2007 Dollar
 2007/0152003 A1 7/2007 Dollar
 2007/0181615 A1 8/2007 Allanson et al.
 2007/0187435 A1 8/2007 Quirk
 2008/0178629 A1 7/2008 Meether
 2009/0241584 A1 10/2009 Hayes et al.
 2010/0212351 A1 8/2010 Chapin et al.
 2010/0215455 A1 8/2010 Burris
 2011/0062156 A1 3/2011 Smeaton
 2011/0240684 A1 10/2011 McSavaney
 2012/0111892 A1 5/2012 Leith, Sr. et al.
 2014/0252010 A1 9/2014 Miller
 2015/0048118 A1 2/2015 English et al.
 2015/0182012 A1 7/2015 Thornton et al.
 2015/0375918 A1 12/2015 Holderness et al.
 2016/0114347 A1 4/2016 Kosarnig
 2016/0220925 A1 8/2016 Savoy et al.
 2016/0340217 A1 11/2016 Kuennen et al.
 2017/0203308 A1 7/2017 Huang

FOREIGN PATENT DOCUMENTS

EP 2873626 A1 5/2015
 GB 484091 A 4/1938
 WO 10044074 A1 4/2010

OTHER PUBLICATIONS

Great Day Hitch-N-Ride Cargo Carriers—HNR100TF [online], [retrieved Oct. 12, 2017], Retrieved from the Internet, URL: <<http://www.autoanything.com/roof-racks/77A7418A4464928.aspx>>; 3 color pages, published date unknown, but for purposes of patent prosecution presumably more than a year prior to the filing date of the present application.
 Rubbermaid FG9F1900BLA ProServe Black Dolly with Retention Strap for 9F12, 9F13, 9F14, 9F15, and 9F16 Insulated Food Pan Carrier [online], [retrieved Oct. 12, 2017], Retrieved from the Internet, URL: <<https://www.webstaurantstore.com/rubbermaid->

(56)

References Cited

OTHER PUBLICATIONS

9f19-proserve-black-dolly-with-retention-strap-for-9f12-9f13-9f14-9f15-and-9f16-insulated-food-pan-carrier-fg9f1900bla/6909F19.html>; 4 color pages, published date unknown, but for purposes of patent prosecution presumably more than a year prior to the filing date of the present application.

Yeti Cooler Mounted in Baja Basket—Photo 08 [online], [retrieved Oct. 12, 2017], Retrieved from the Internet, URL: <<http://www.fourwheeler.com/how-to/body-chassis/1503-adding-synergy-manufacturings-baja-basket-storage-solution/photo-08.html>>; 6 color pages, published date unknown, but for purposes of patent prosecution presumably more than a year prior to the filing date of the present application.

Now Selling Cooler Commander (7 Pictures) [online], [retrieved Oct. 12, 2017], Retrieved from the Internet, URL: <<http://www.rzrforums.net/utv-family/304697-now-selling-cooler-commander-7-pictures.html>>; 7 color pages, published date unknown, but for purposes of patent prosecution presumably more than a year prior to the filing date of the present application.

Engel USA Cooler Tie-Down Strap Kit [online], [retrieved Oct. 12, 2017], Retrieved from the Internet, URL: <<https://www.amazon.com/Engel-USA-Cooler-Tie-Down-Strap/dp/B0078T3MWY>>; 6 color pages, published date unknown, but for purposes of patent prosecution presumably more than a year prior to the filing date of the present application.

Yeti Cooler Slide Out Mounting Kit [online], [retrieved Oct. 12, 2017], Retrieved from the Internet, URL: <<http://archive.constantcontact.com/fs085/1102686599059/archive/1108110340931.html>>; 5 color pages, published date unknown, but for purposes of patent prosecution presumably more than a year prior to the filing date of the present application.

ARB [online], [retrieved Oct. 12, 2017], Retrieved from the Internet, URL: <https://www.streetsideauto.com/p/arb-10900010/?utm_source=googlepepla&utm_medium=adword&gclid=CPT3omE69MCFRtYDQodyVIBUg>; 2 color pages, published date unknown, but for purposes of patent prosecution presumably more than a year prior to the filing date of the present application. Sep. 29, 2017—(PCT) ISR & Written Opinion—App PCT/US2017/028288.

* cited by examiner



FIG. 1

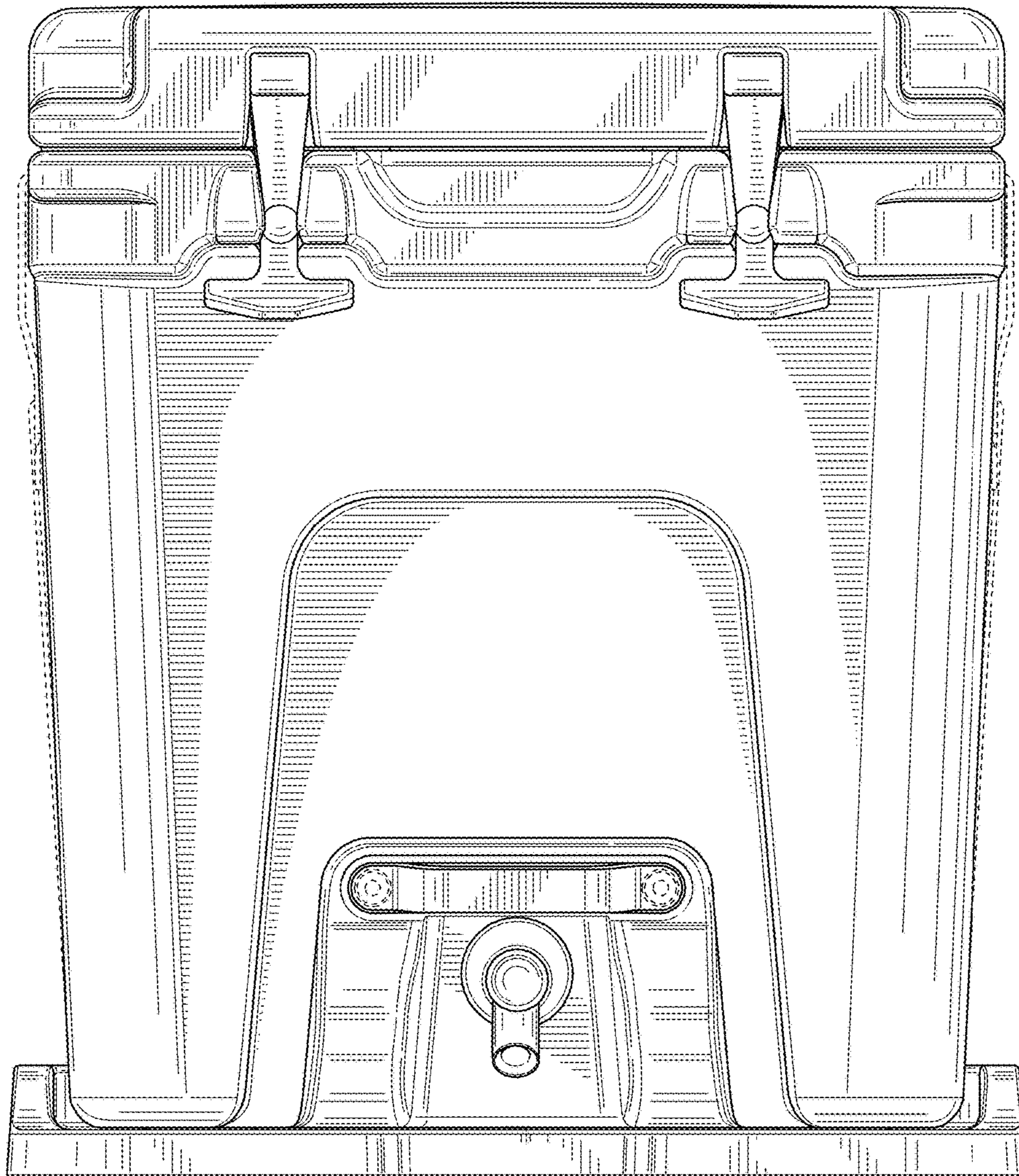


FIG. 2

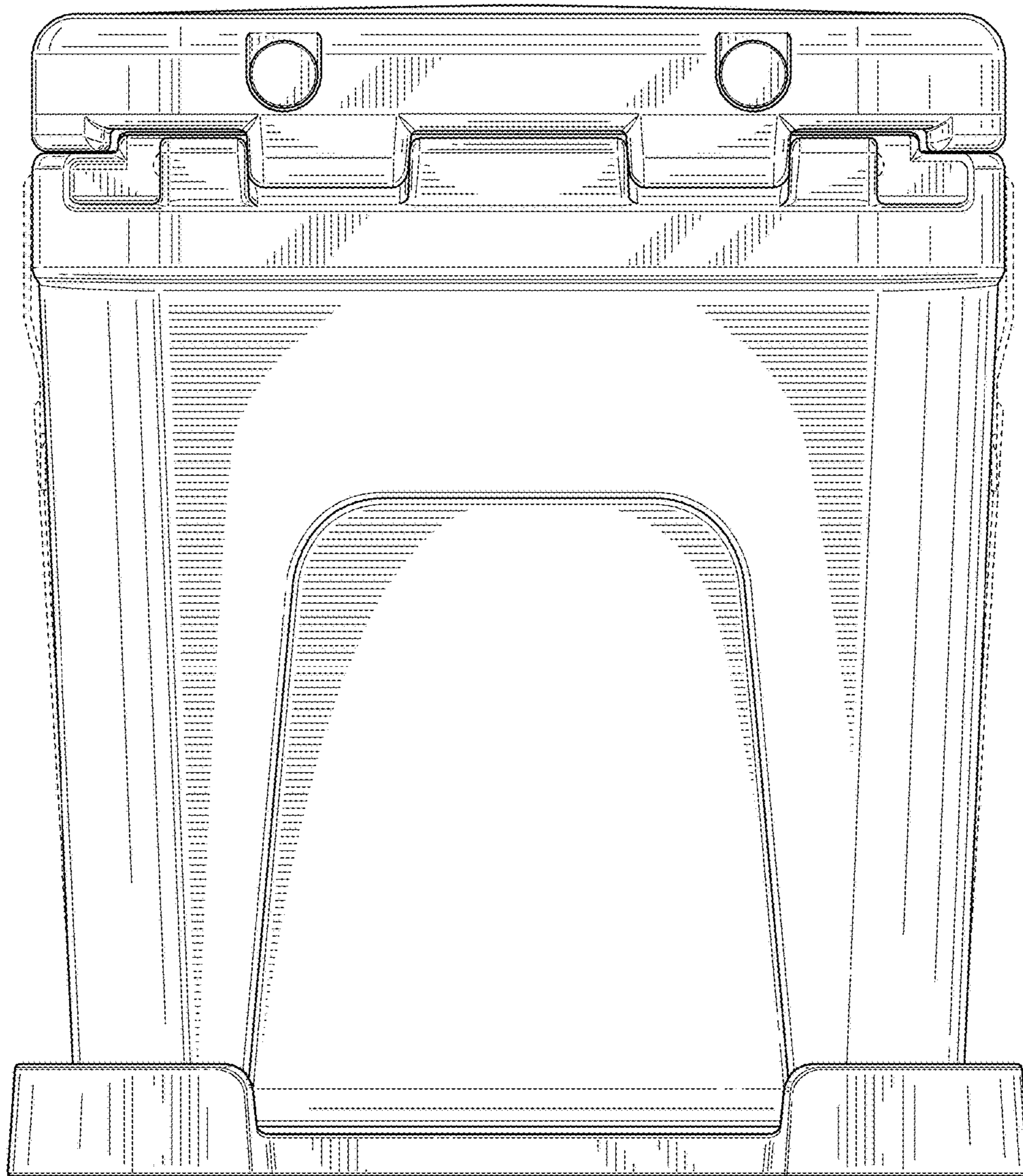


FIG. 3

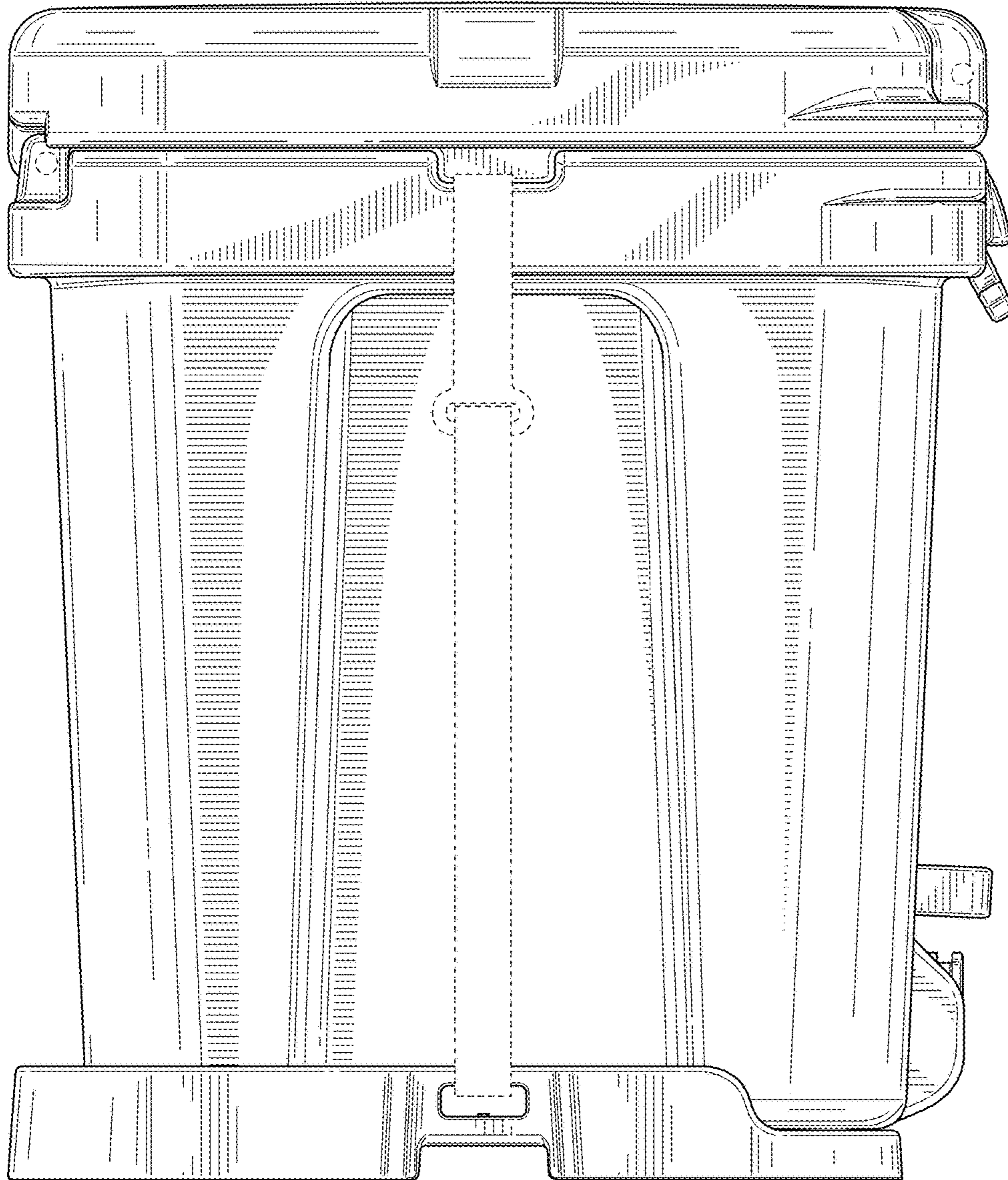


FIG. 4

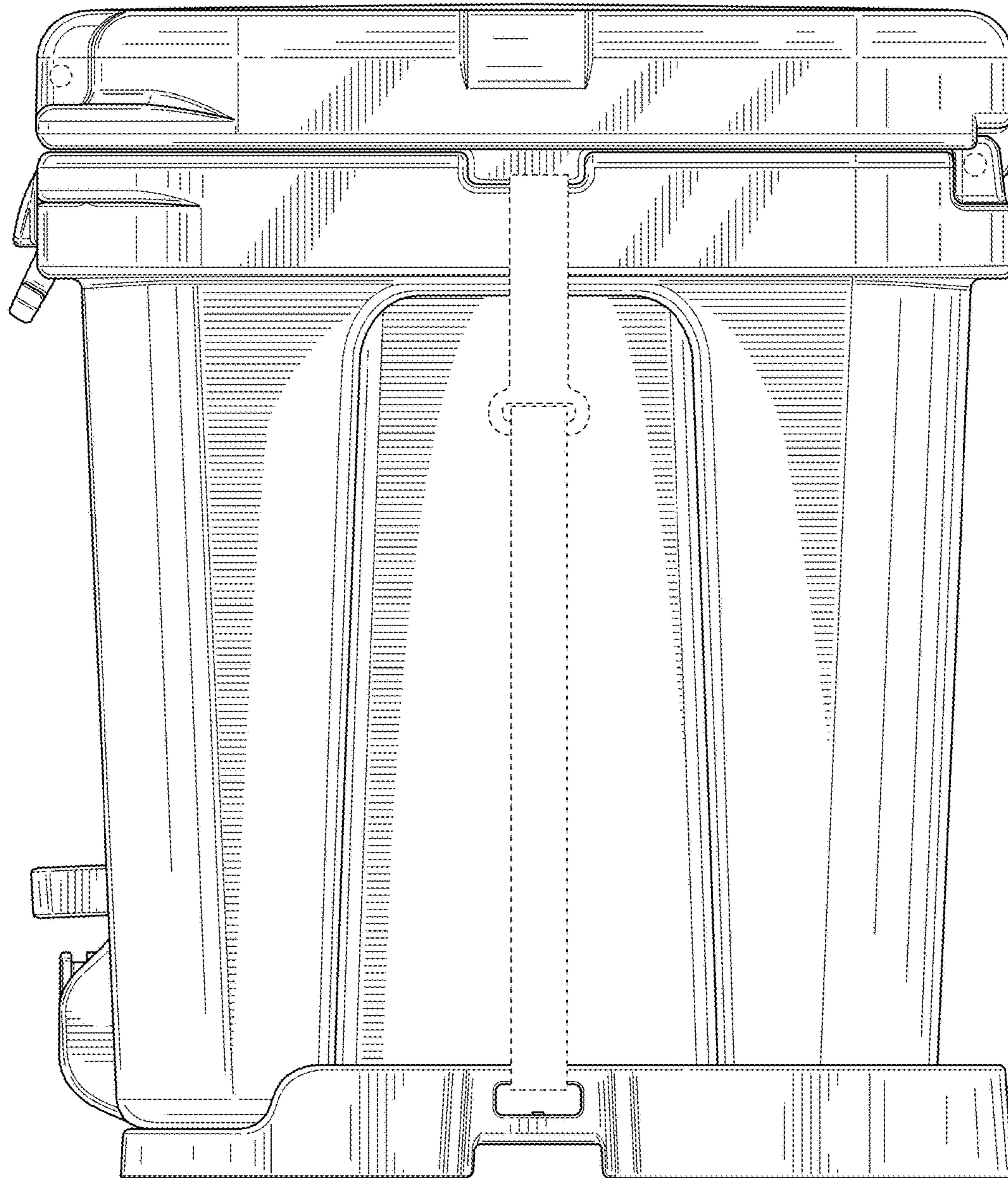


FIG. 5

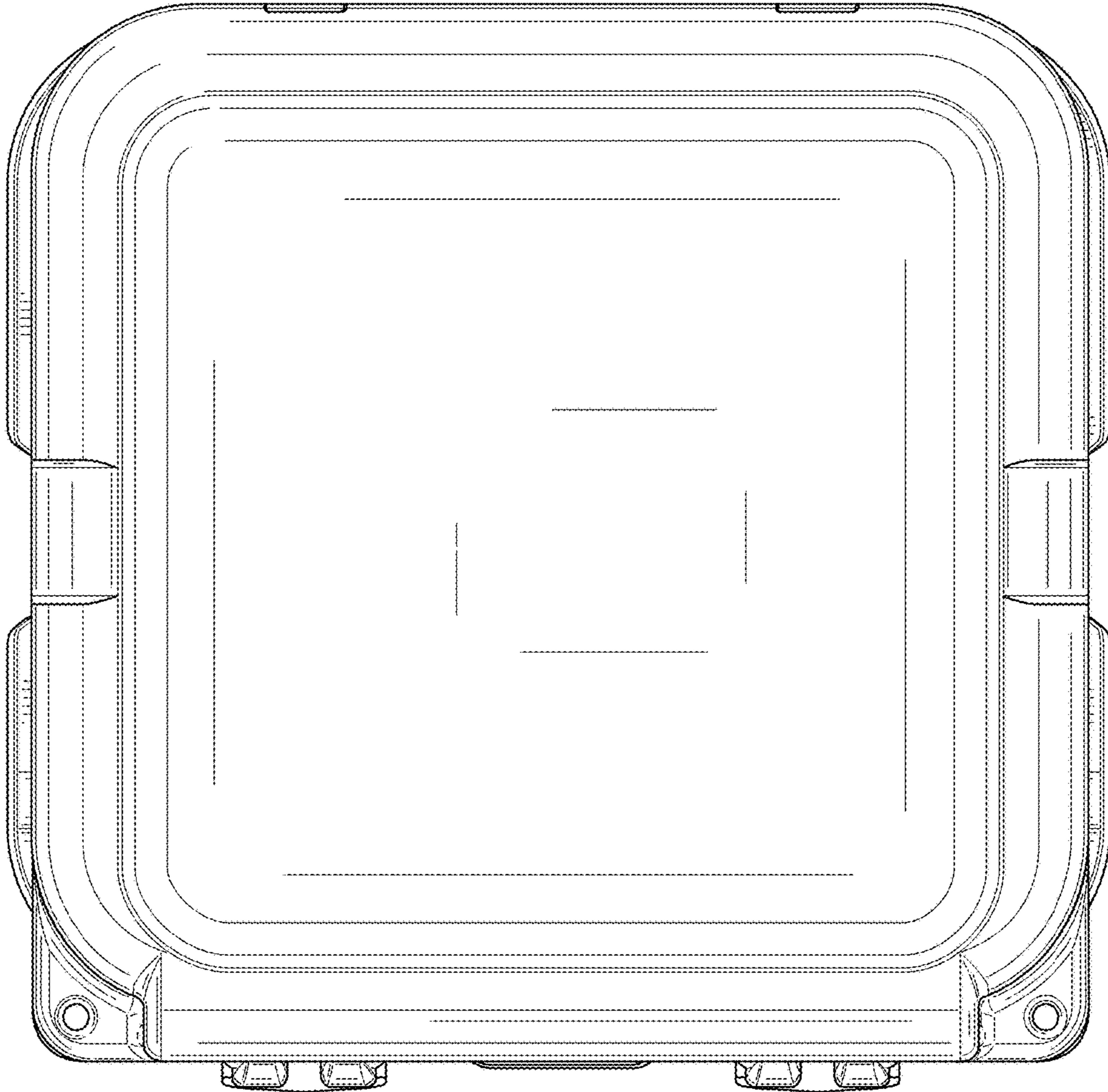


FIG. 6

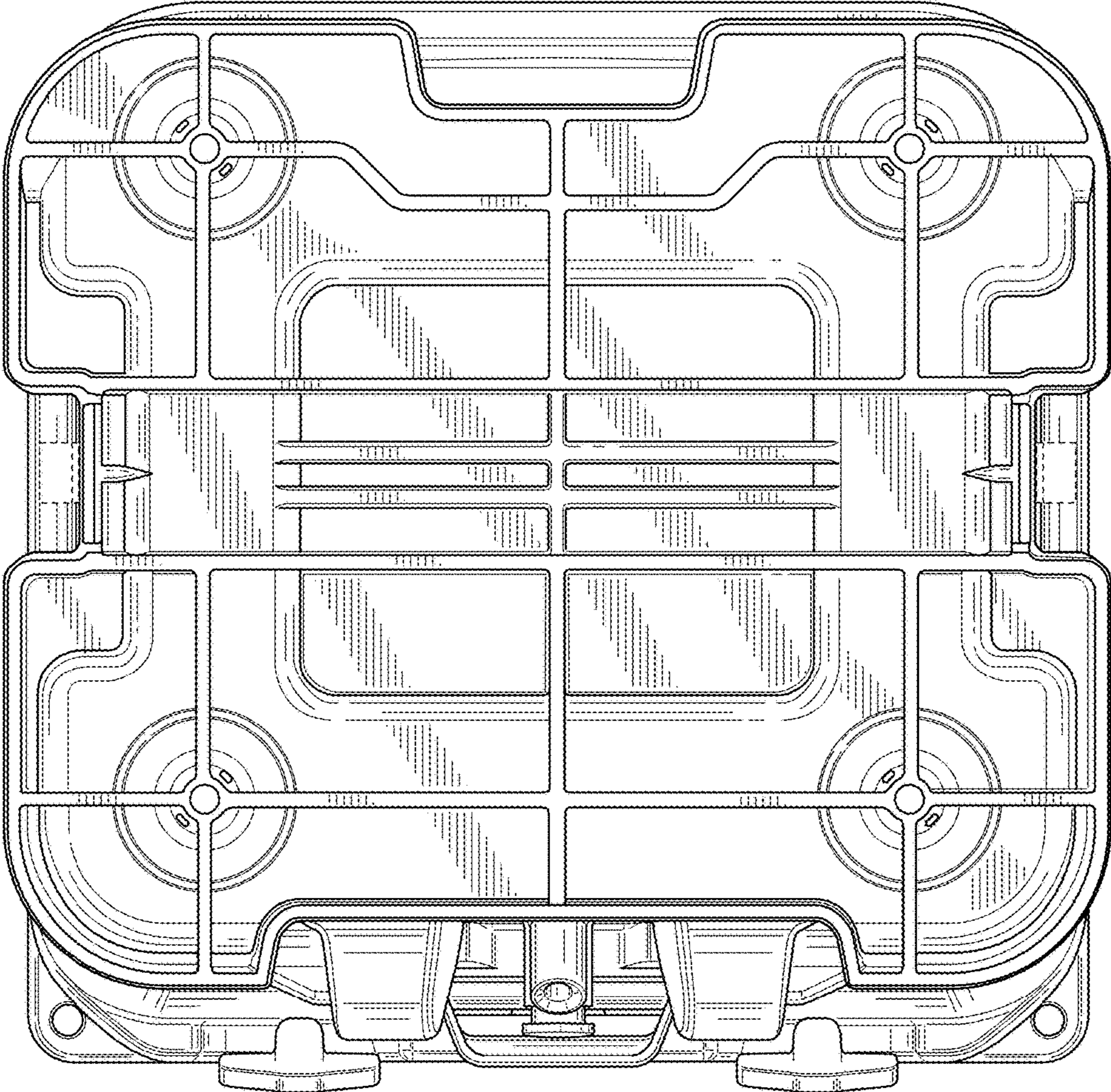


FIG. 7

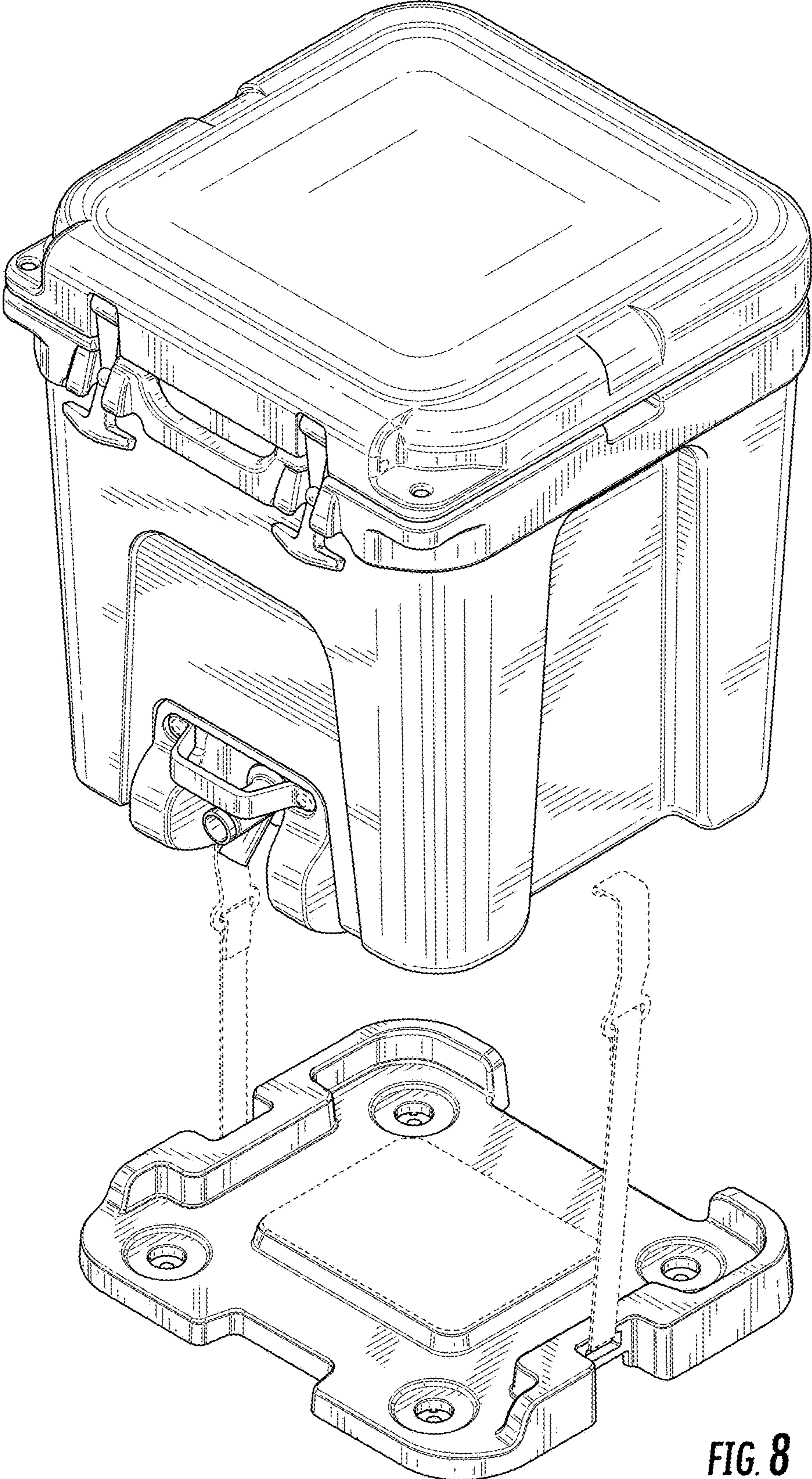


FIG. 8