



US00D835469S

(12) **United States Design Patent**
Lovelace

(10) **Patent No.:** **US D835,469 S**

(45) **Date of Patent:** **** Dec. 11, 2018**

(54) **FIXED DIVIDED COOLER WITH A DUAL LID AND OVERSIZED WHEELS**

2013/0033854 A1* 2/2013 Statham F25D 27/00
362/154

(71) Applicant: **Sean Michael Lovelace**, Casper, WY (US)

* cited by examiner

Primary Examiner — Terry A Wallace

(72) Inventor: **Sean Michael Lovelace**, Casper, WY (US)

(74) *Attorney, Agent, or Firm* — Ronald C. Gorsche

(73) Assignee: **Wyld Gear, LLC**, Casper, WY (US)

(57) **CLAIM**

The ornamental design for a fixed divided cooler with a dual lid and oversized wheels, as shown and described.

(**) Term: **15 Years**

DESCRIPTION

(21) Appl. No.: **29/610,429**

FIG. 1 is a top front perspective view of a fixed divided cooler with a dual lid and oversized wheels showing my new ornamental design;

(22) Filed: **Jul. 12, 2017**

FIG. 2 is a rear bottom perspective view of fixed divided cooler with a dual lid and oversized wheels shown in FIG. 1;

(51) **LOC (11) Cl.** **07-01**

(52) **U.S. Cl.**
USPC **D7/605**

(58) **Field of Classification Search**

USPC D7/605-608, 629, 630; D3/272-274
CPC .. A45C 11/20; A45C 5/14; A45C 5/03; A45C 9/00; A47B 77/08; A47J 41/022; A47G 19/2288; B26B 3/003; F25B 19/00; F25D 3/08; F25D 3/12; F25D 3/14; F25D 3/02; F25D 2331/804; F25D 2400/08; F25D 31/005; B65D 81/3858; B65D 81/3823; B65D 81/3813; B65D 81/3888; B65D 81/3816

See application file for complete search history.

FIG. 3 is a top front perspective view of the fixed divided cooler with a dual lid and oversized wheels shown in FIG. 1 with the dual lid open showing the divider;

FIG. 4 is a top rear perspective view of the fixed divided cooler with a dual lid and oversized wheels shown in FIG. 1 with the dual lid open showing the divider;

FIG. 5 is top view of the fixed divided cooler with a dual lid and oversized wheels shown in FIG. 1;

FIG. 6 is a top view of the fixed divided cooler with a dual lid and oversized wheels shown in FIG. 1 with the dual lid open showing the divider;

FIG. 7 is a bottom view of the fixed divided cooler with a dual lid and oversized wheels shown in FIG. 1;

FIG. 8 is a right side view of the fixed divided cooler with a dual lid and oversized wheels shown in FIG. 1;

FIG. 9 is a right side view of the fixed divided cooler with a dual lid and oversized wheels shown in FIG. 1 with the dual lid open;

FIG. 10 is a front view of the of the fixed divided cooler with a dual lid and oversized wheels shown in FIG. 1 with the dual lid open; and,

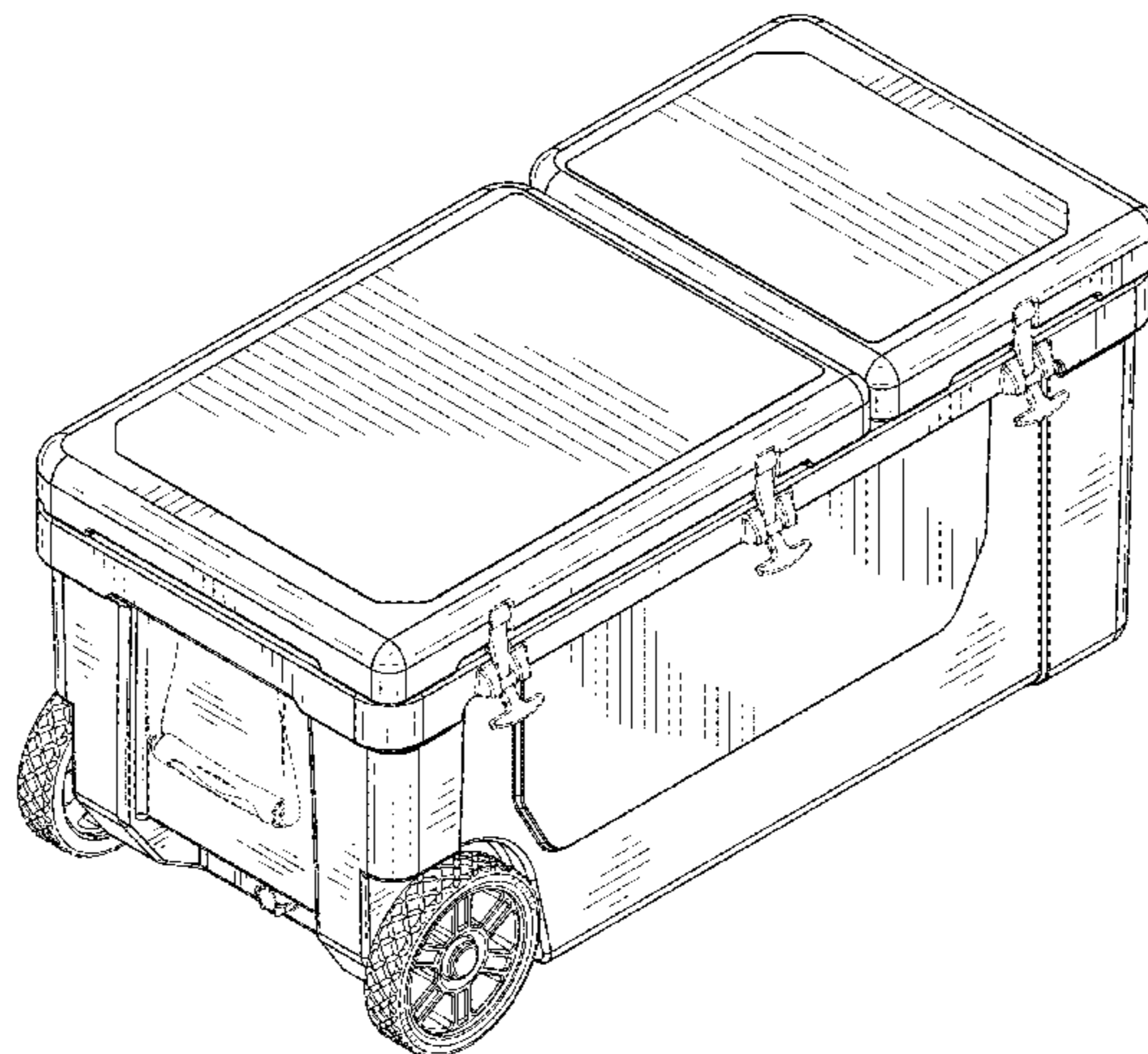
FIG. 11 is a front view of the fixed divided cooler with a dual lid and oversized wheels shown in FIG. 1.

(56) **References Cited**

U.S. PATENT DOCUMENTS

3,979,007 A * 9/1976 Thornbloom, Jr. A45C 11/20
190/12 R
8,800,795 B2 * 8/2014 Hwang F25D 3/02
206/545
8,875,934 B2 * 11/2014 Deka B65D 81/3823
220/23.88

1 Claim, 11 Drawing Sheets



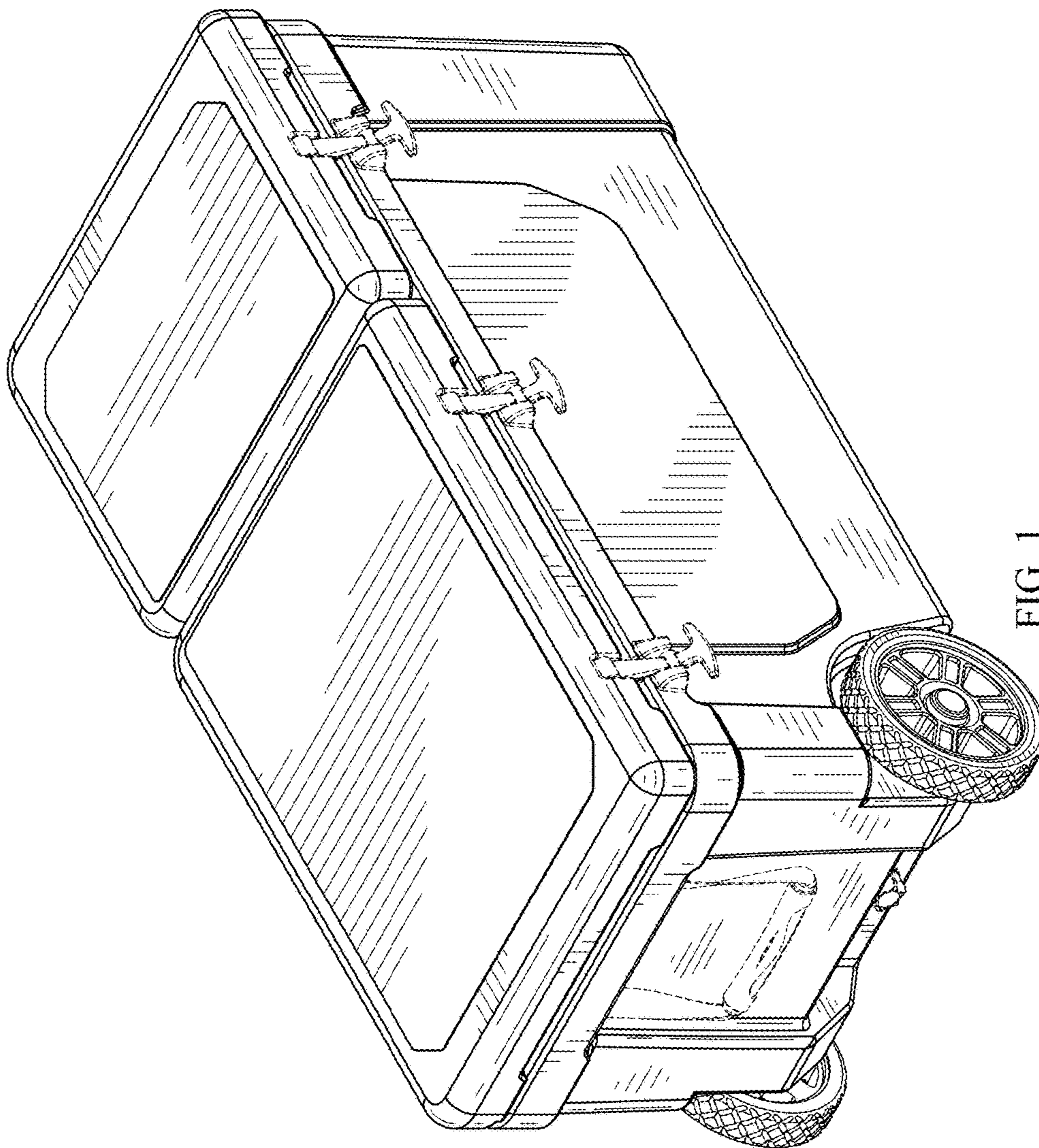


FIG. 1

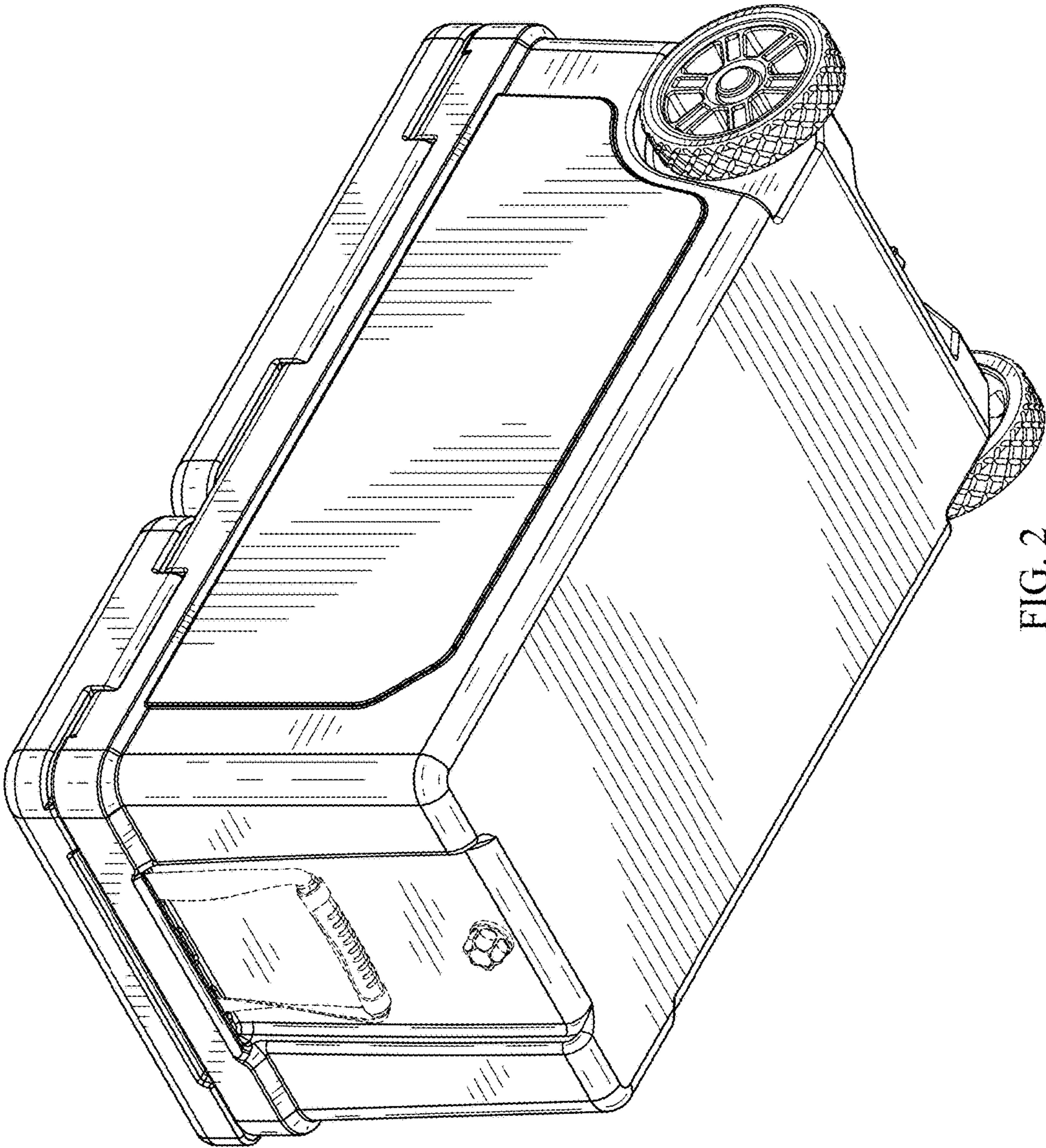


FIG. 2

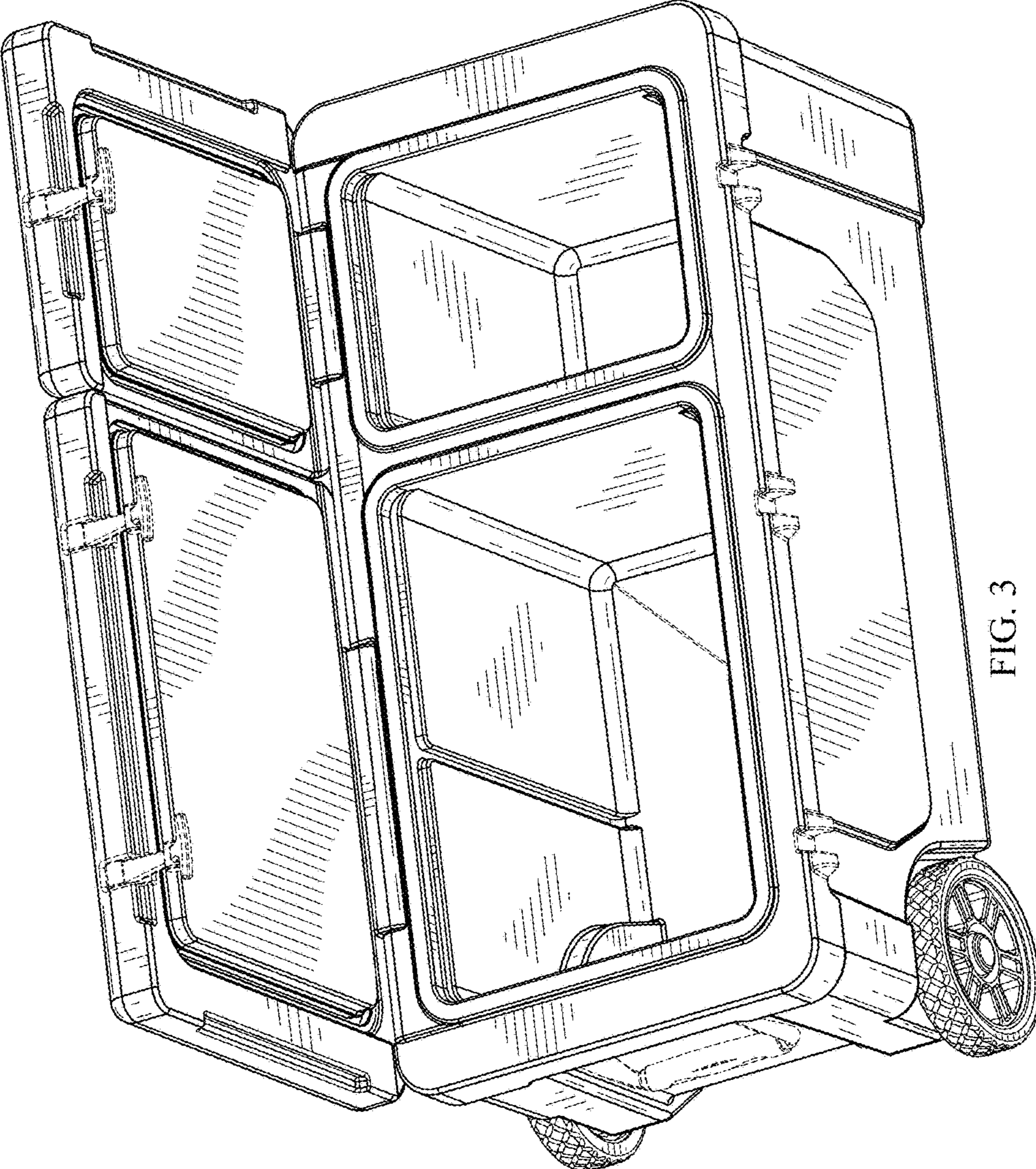


FIG. 3

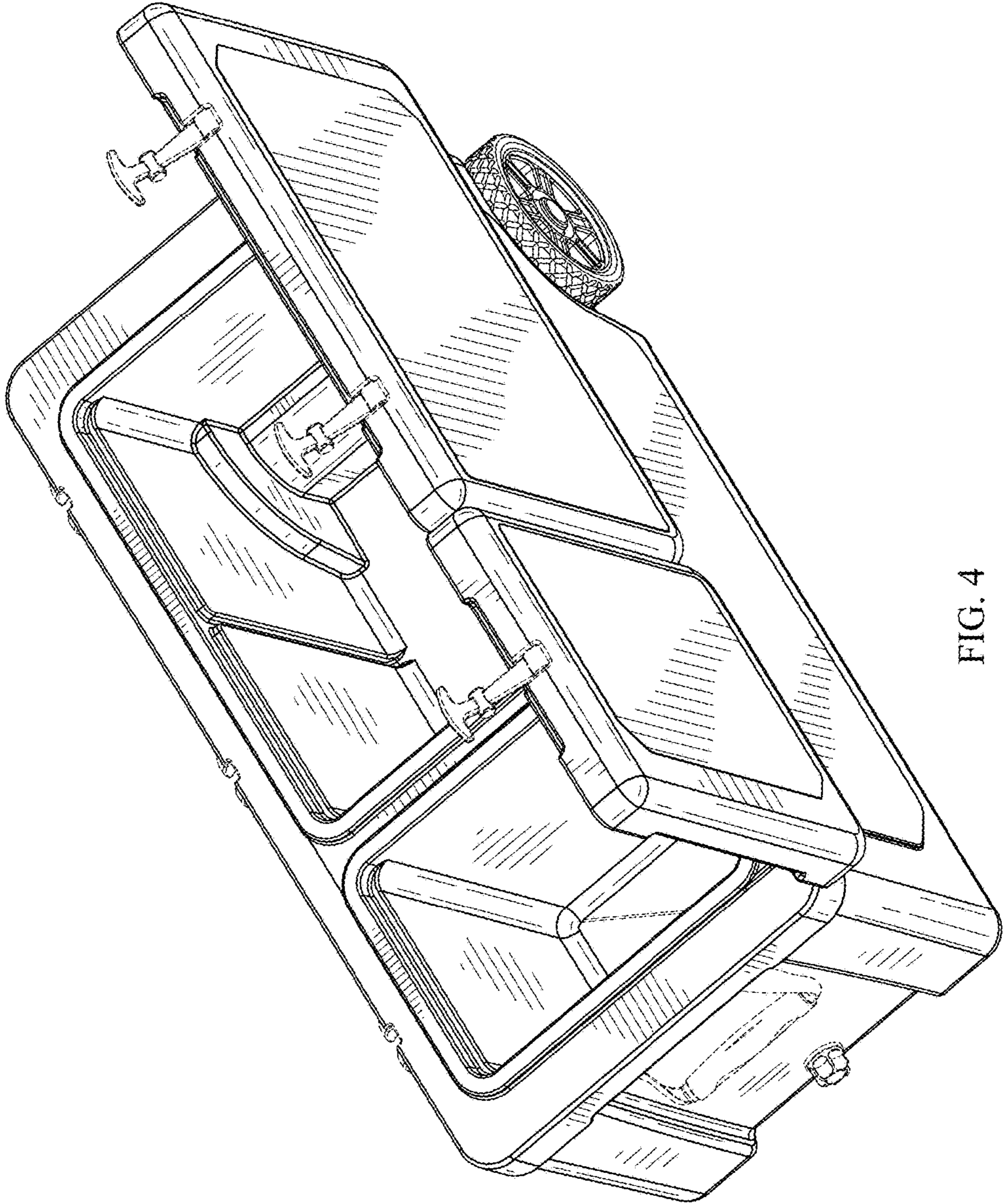


FIG. 4

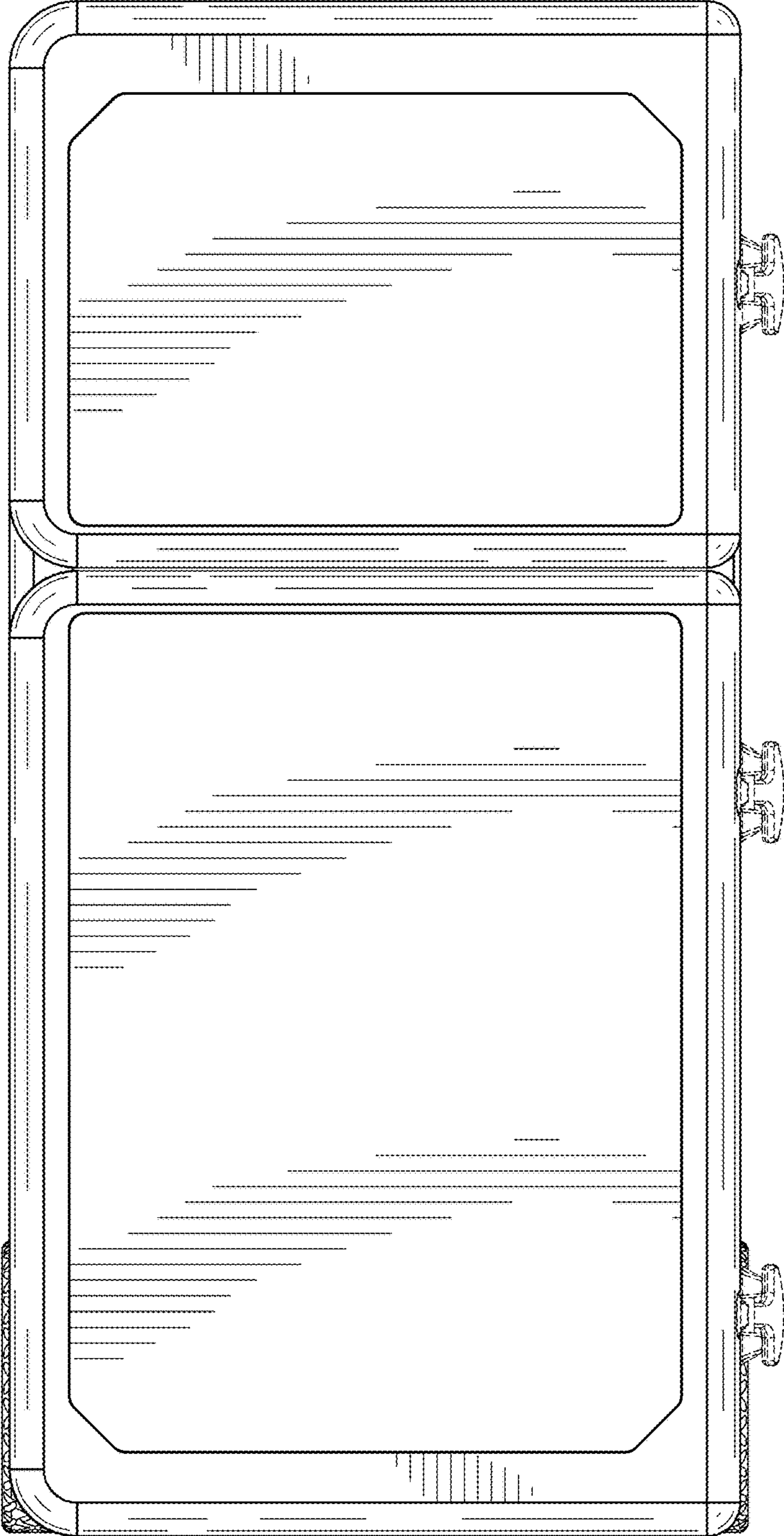


FIG. 5

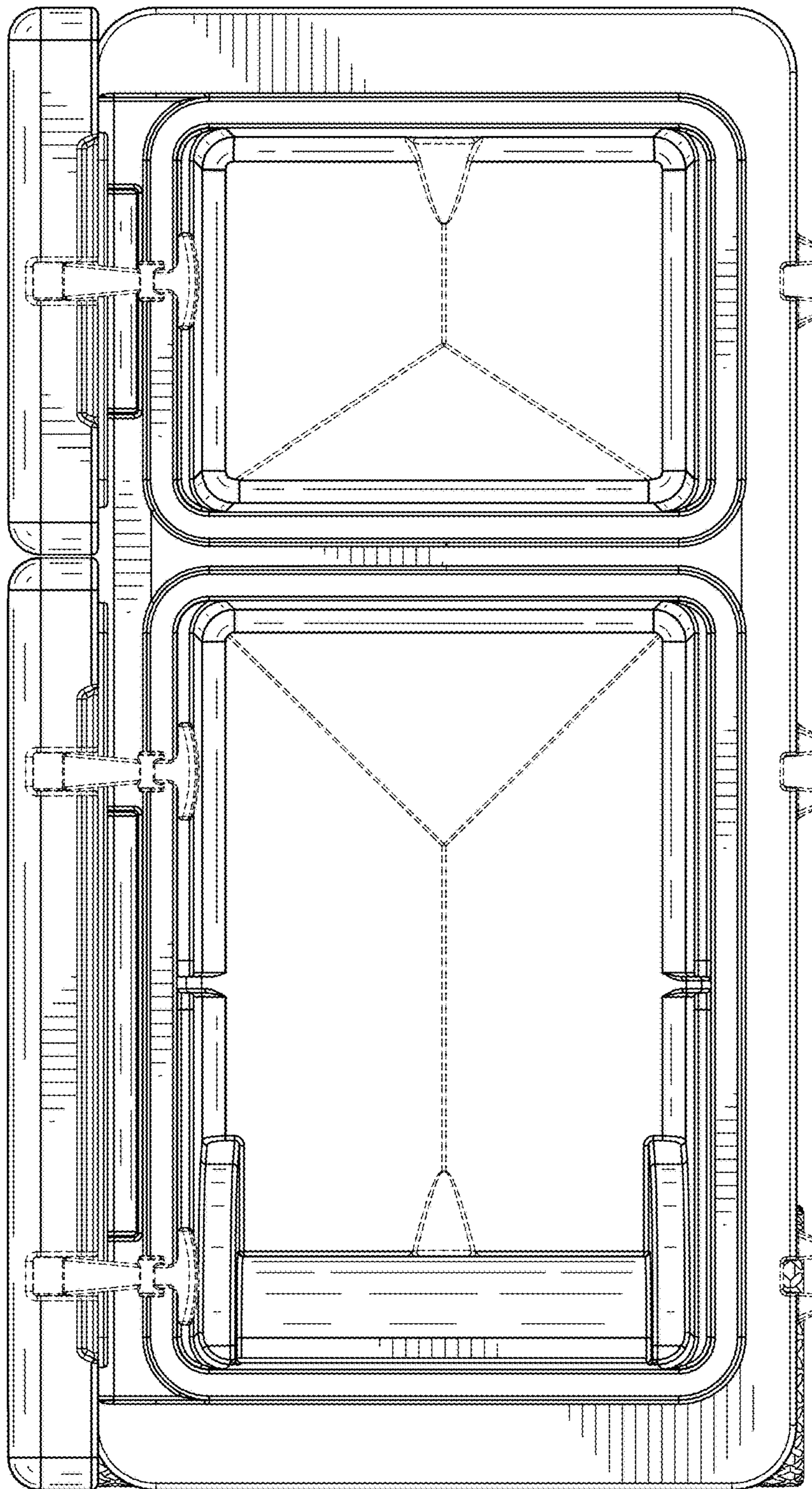


FIG. 6

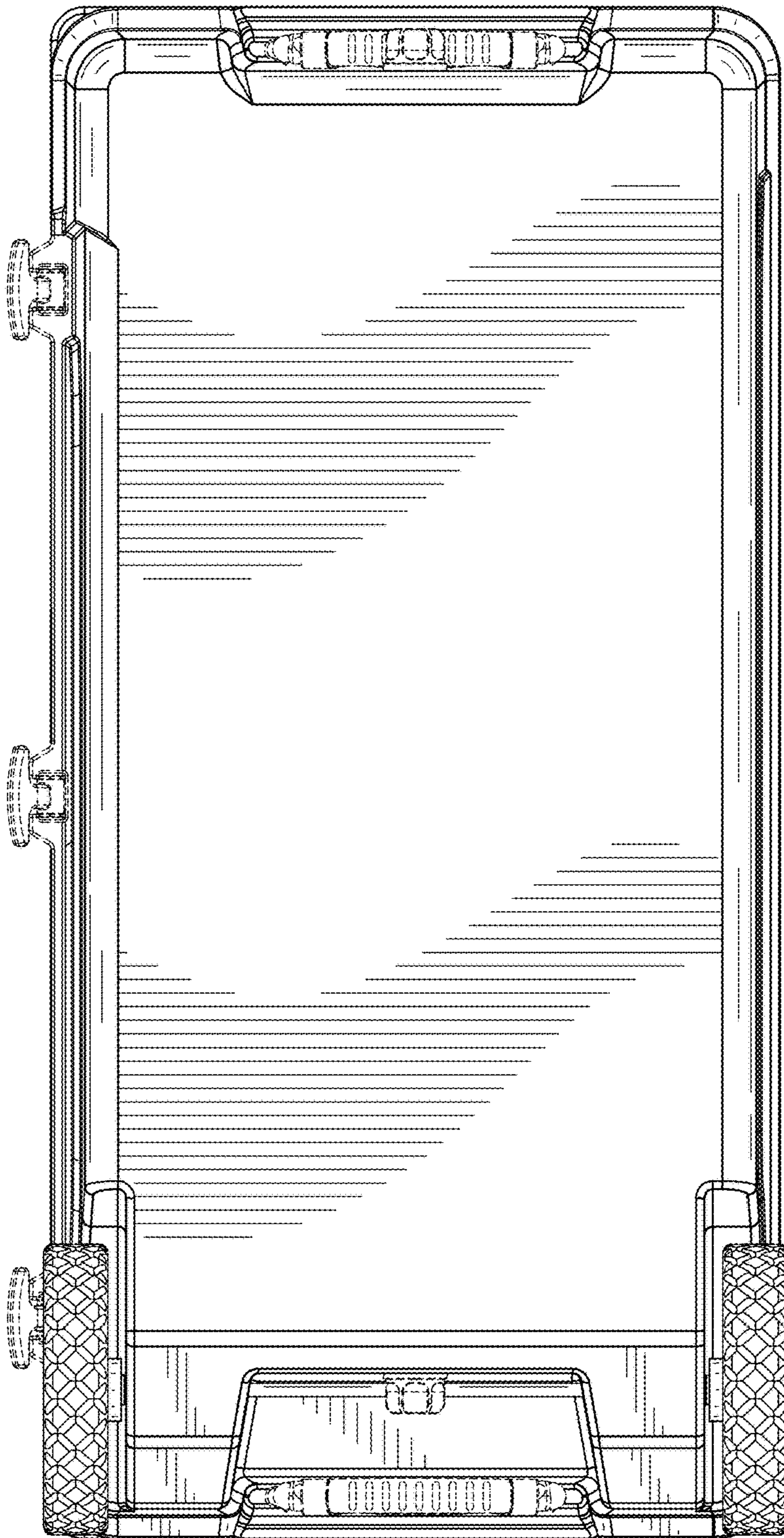


FIG. 7

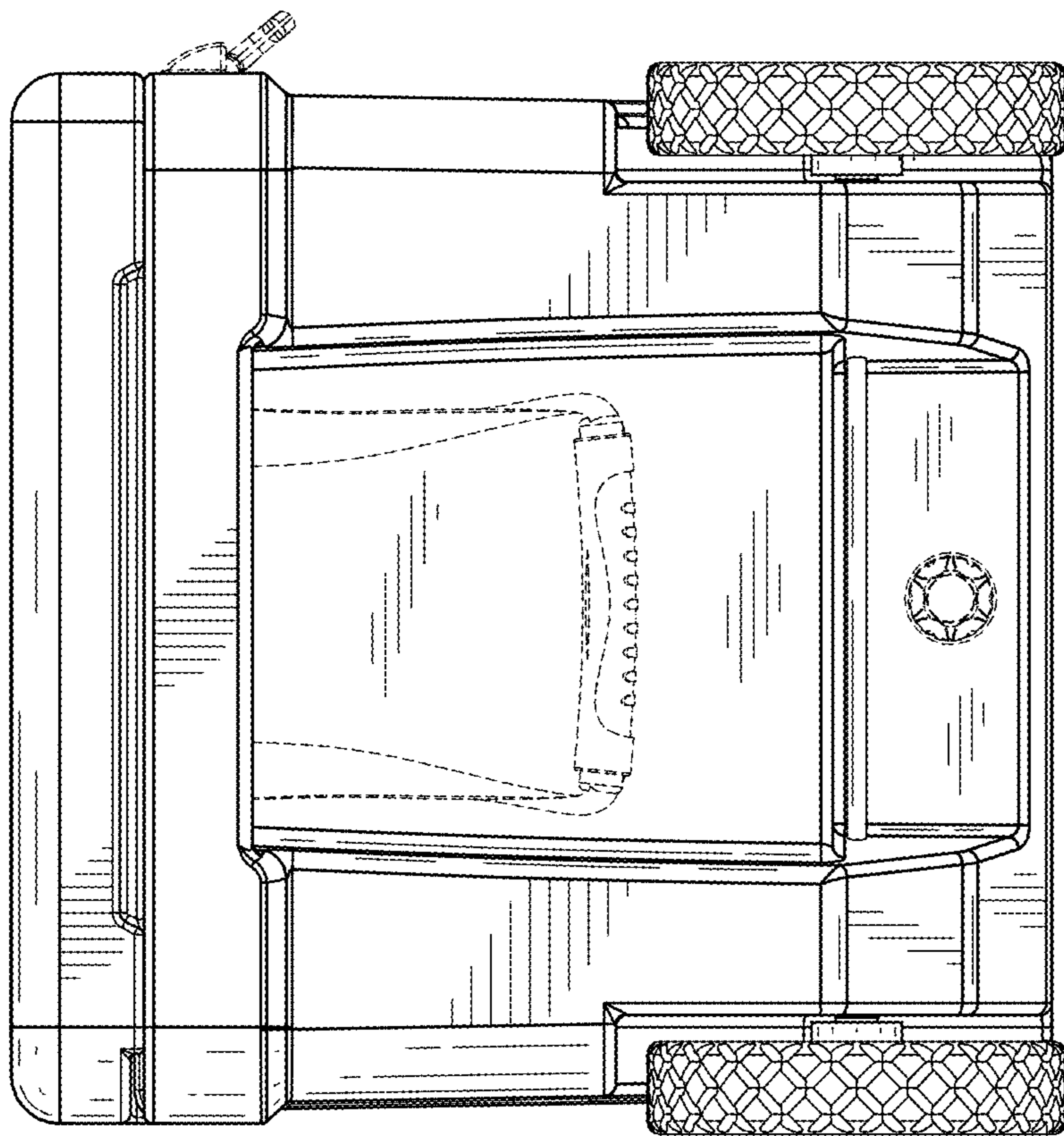


FIG. 8

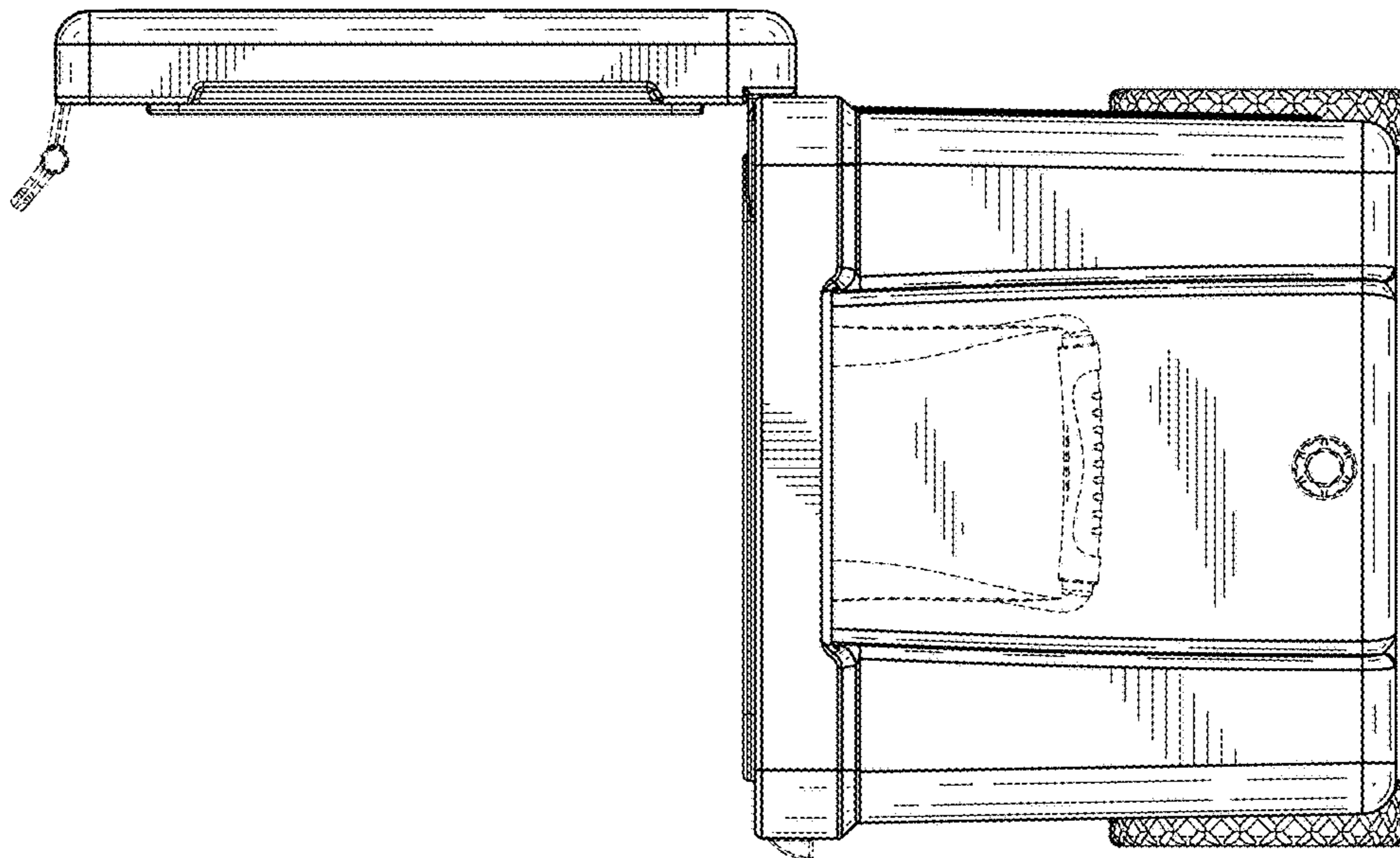


FIG. 9

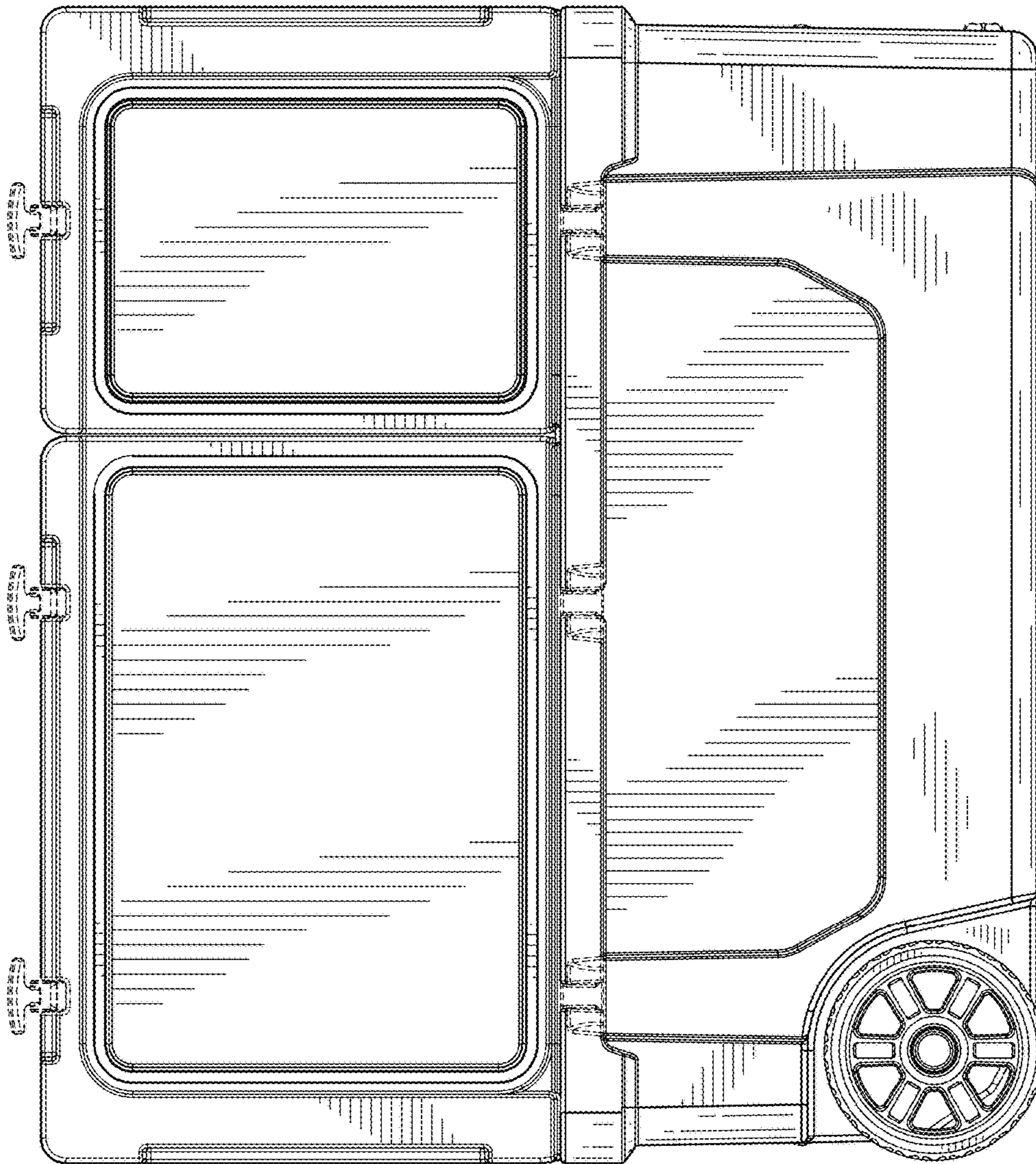


FIG. 10

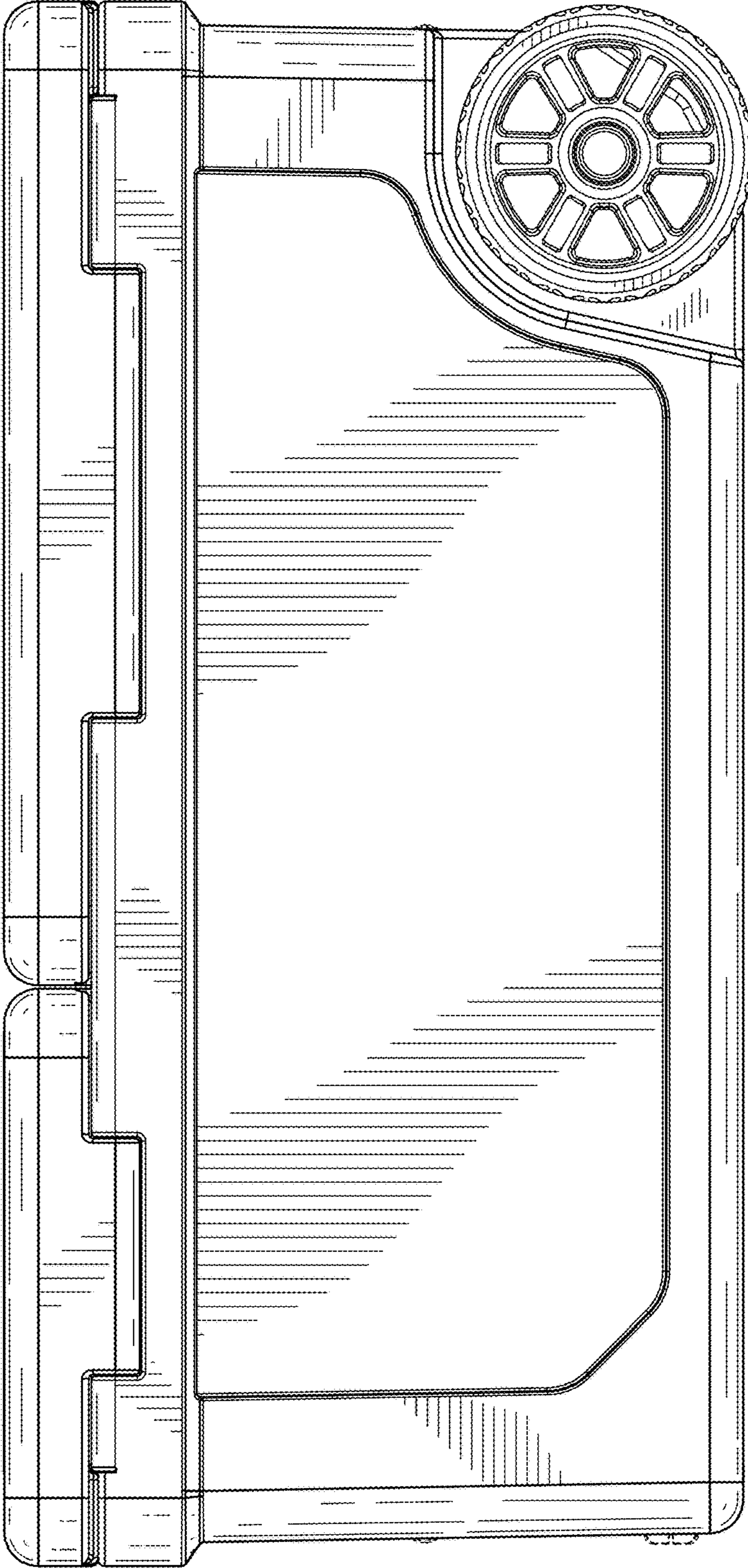


FIG. 11