



US00D835467S

(12) **United States Design Patent** (10) **Patent No.:** **US D835,467 S**  
**Dolinsky et al.** (45) **Date of Patent:** **\*\* Dec. 11, 2018**

(54) **STACKABLE SERVING TRAY**

FOREIGN PATENT DOCUMENTS

(71) Applicant: **Remson Concepts, Inc.**, Tappan, NY (US)

CA 32861 S 9/1970  
CA 33568 A 2/1971  
(Continued)

(72) Inventors: **David Dolinsky**, Nyack, NY (US);  
**Reed Kimmel**, Tappan, NY (US)

OTHER PUBLICATIONS

(73) Assignee: **Remson Concepts, Inc.**, Tappan, NY (US)

Anonymous, Tray Bien; <http://www.traybiensolutions.com>, Accessed: Feb. 15, 2018.

(Continued)

(\*\*) Term: **15 Years**

*Primary Examiner* — Kelley A Donnelly

(21) Appl. No.: **29/657,466**

(74) *Attorney, Agent, or Firm* — Werschulz Patent Law, LLC; Patricia P. Werschulz, Esq.

(22) Filed: **Jul. 23, 2018**

(57) **CLAIM**

(51) **LOC (11) Cl.** ..... **07-01**

The ornamental design for a stackable serving tray, as shown and described.

(52) **U.S. Cl.**

USPC ..... **D7/553.6**

(58) **Field of Classification Search**

USPC ..... D6/672, 677; D7/550.1, 553.1, 553.6, D7/553.8, 554.2, 601–602

CPC ..... A47B 23/00; A47B 23/002; B65D 1/34; B65D 21/00; B65D 21/0204; A47G 19/02; A47G 23/06; A47G 23/0641

See application file for complete search history.

**DESCRIPTION**

FIG. 1 is a perspective view of a first embodiment of a stackable serving tray showing my new design; FIG. 2 is a perspective view from below; FIG. 3 is a front elevational view thereof; FIG. 4 is a rear elevational view thereof; FIG. 5 is a top plan view thereof; FIG. 6 is a bottom plan view thereof; FIG. 7 is a right side elevational view thereof; and FIG. 8 is a left side elevational view thereof. FIG. 9 is a perspective view of a second embodiment of a stackable serving tray showing my new design; FIG. 10 is a perspective view from below; FIG. 11 is a front elevational view thereof; FIG. 12 is a rear elevational view thereof; FIG. 13 is a top plan view thereof; FIG. 14 is a bottom plan view thereof; FIG. 15 is a right side elevational view thereof; and, FIG. 16 is a left side elevational view thereof.

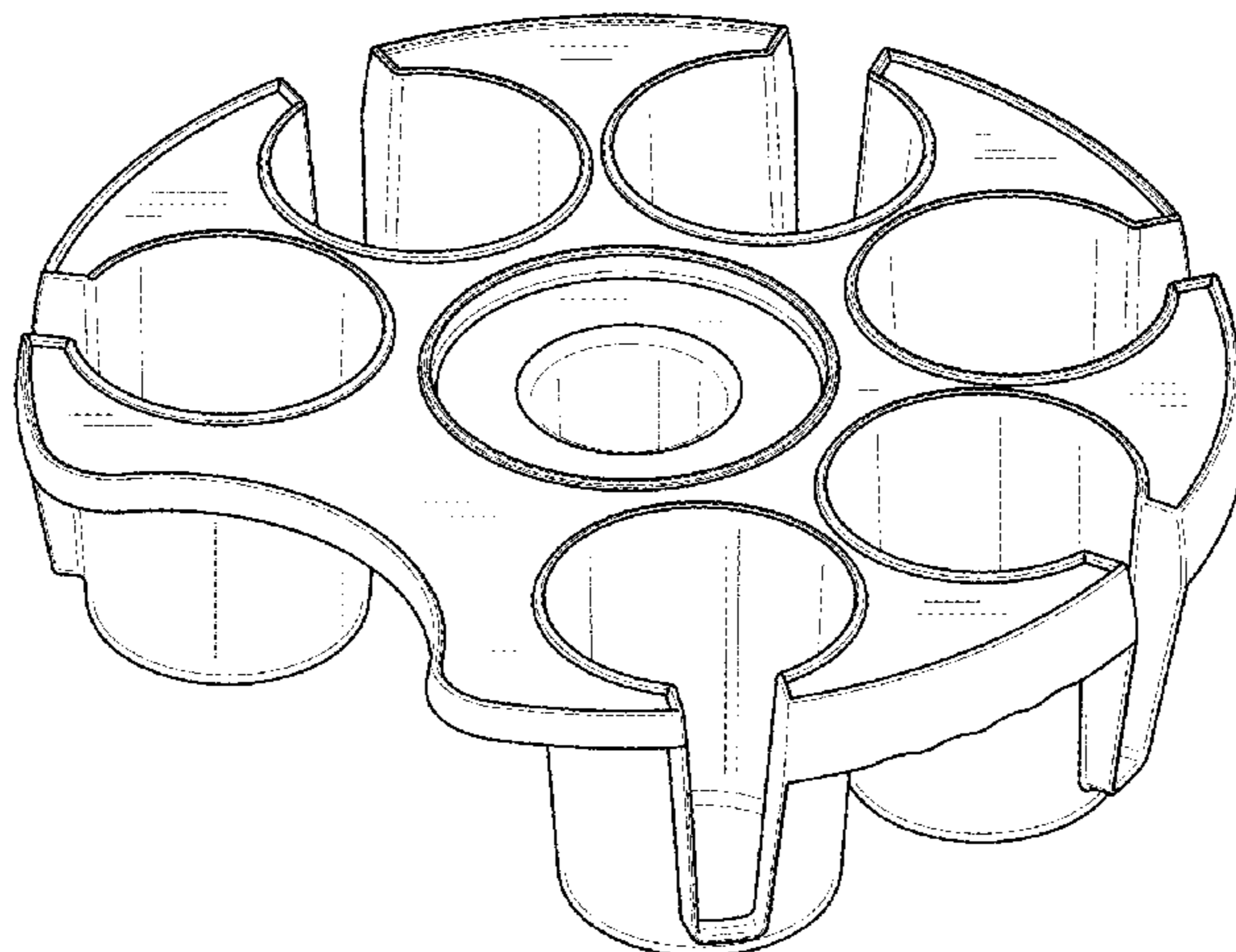
(56) **References Cited**

U.S. PATENT DOCUMENTS

- D20,928 S \* 7/1891 Van Kannel ..... D7/553.4
- D60,025 S \* 12/1921 Hoodwin ..... D7/553.8
- 1,469,596 A \* 10/1923 Hoodwin ..... A47G 23/065
- 2,920,804 A \* 1/1960 Minton ..... A47G 19/06
- 3,162,344 A 12/1964 Raymond
- D252,066 S 6/1979 Jeambey
- D286,250 S \* 10/1986 Prescott ..... D7/557
- D292,161 S 10/1987 Spolter et al.
- D293,640 S 1/1988 Perry et al.

(Continued)

**1 Claim, 10 Drawing Sheets**



(56)

References Cited

U.S. PATENT DOCUMENTS

4,718,555 A \* 1/1988 Amberg ..... B65D 1/36  
206/518  
D297,799 S \* 9/1988 Hammer ..... D7/507  
D303,194 S 9/1989 Darby et al.  
4,899,881 A 2/1990 Girard et al.  
4,991,713 A 2/1991 Phillips  
5,249,700 A \* 10/1993 Dumke ..... A47G 19/065  
220/23.86  
D344,436 S 2/1994 Walls et al.  
5,292,028 A \* 3/1994 Patterson ..... A47G 19/065  
206/217  
D349,425 S 8/1994 Kays et al.  
D353,977 S 1/1995 Muschett  
D363,644 S 10/1995 Wyatt et al.  
D376,928 S 12/1996 Lorenzana et al.  
D378,038 S 2/1997 Gaines  
D378,477 S 3/1997 Sussman  
D382,727 S 8/1997 Kresge et al.  
D389,020 S 1/1998 Lajoie  
D393,775 S 4/1998 Otero  
D399,704 S 10/1998 Cousins  
D413,488 S 9/1999 Foley  
D459,950 S 7/2002 Bush et al.  
D469,659 S 2/2003 Gale  
6,752,288 B1 6/2004 Swift  
D534,816 S 1/2007 Newton  
D557,072 S 12/2007 Lim  
D563,726 S 3/2008 Fraser  
D591,560 S 5/2009 Lackey et al.  
D623,478 S 9/2010 Hayashi  
D625,960 S 10/2010 Lipfert et al.  
D628,449 S \* 12/2010 Kulzer ..... D7/553.2  
D651,048 S 12/2011 Gold  
D653,049 S \* 1/2012 Goldszer ..... D6/406.3  
8,146,737 B2 \* 4/2012 D'Agostino ..... B65D 71/0007  
206/162  
D704,854 S \* 5/2014 Wainwright ..... D24/216  
D708,062 S 7/2014 Navarro  
D710,123 S \* 8/2014 Wright ..... D6/406.3  
8,973,796 B1 3/2015 Abusaoud et al.  
D731,247 S 6/2015 Kamei et al.  
D731,249 S 6/2015 Keeth  
D734,099 S 7/2015 Fissell  
D742,178 S 11/2015 Shames  
D766,665 S 9/2016 Shames  
D769,676 S 10/2016 Alleyne  
D776,485 S 1/2017 Bradley  
D779,887 S 2/2017 Alleyne  
D783,177 S 4/2017 Kawamura

D793,799 S 8/2017 Dunne  
D798,677 S 10/2017 Paternostre et al.  
D799,340 S 10/2017 Shoshan et al.  
D804,325 S \* 12/2017 Thompson ..... D9/758  
9,839,311 B2 12/2017 Shames  
D808,222 S 1/2018 Shames  
D810,959 S 2/2018 Langhoff et al.  
2002/0027366 A1 3/2002 Bieri  
2015/0230643 A1 8/2015 Kamei et al.

FOREIGN PATENT DOCUMENTS

CN 3458160 7/2005  
CN 201536943 U 8/2010  
CN 103054434 A 4/2013  
CN 202932630 U 5/2013  
CN 304465319 1/2018  
CN 304465320 1/2018  
DE 202008001450 U1 6/2008  
EM 0000076950001 6/2003  
EM 0004086950001 11/2005  
EM 0004382470005 12/2005  
EM 0008881020001 3/2008  
EM 0015982020001 8/2009  
EM 0017400690003 9/2010  
EM 0024292820002 6/2014  
EM 0024931140001 7/2014  
FR 2865124 A1 7/2005  
GB 2050308 A 3/1996  
GB 2338402 A 12/1999  
GB 3017536 2/2006  
IL 43704 1/2009  
IL 48439 10/2011  
IL 49780 7/2012  
JP D1158044 11/2002  
JP D1358998 5/2009  
JP D1575108 5/2017  
WO 200534694 A1 4/2005

OTHER PUBLICATIONS

Anonymous, Vintage Minnesota pine cone theme metal beverage serving tray souvenir; <https://www.ebay.ca/itm/VINTAGE-MINNESOTA-PINE-CONE-THEME-METAL-BEVERAGE-SERVING-TRAY-SOUVENIER/332527280569?hash=item4d6c2ba1b9:g:oMsAAOSw8gVYACJD>; Accessed: Feb. 15, 2018.  
Anonymous, Vintage Pennsylvania tin drink serving tray souvenir with flowers, ETSY, URL: <https://www.etsy.com/in-en/listing/491888539/vintage-pennsylvania-tin-drink-serving?>, Published/ Accessed: Feb. 15, 2018.

\* cited by examiner

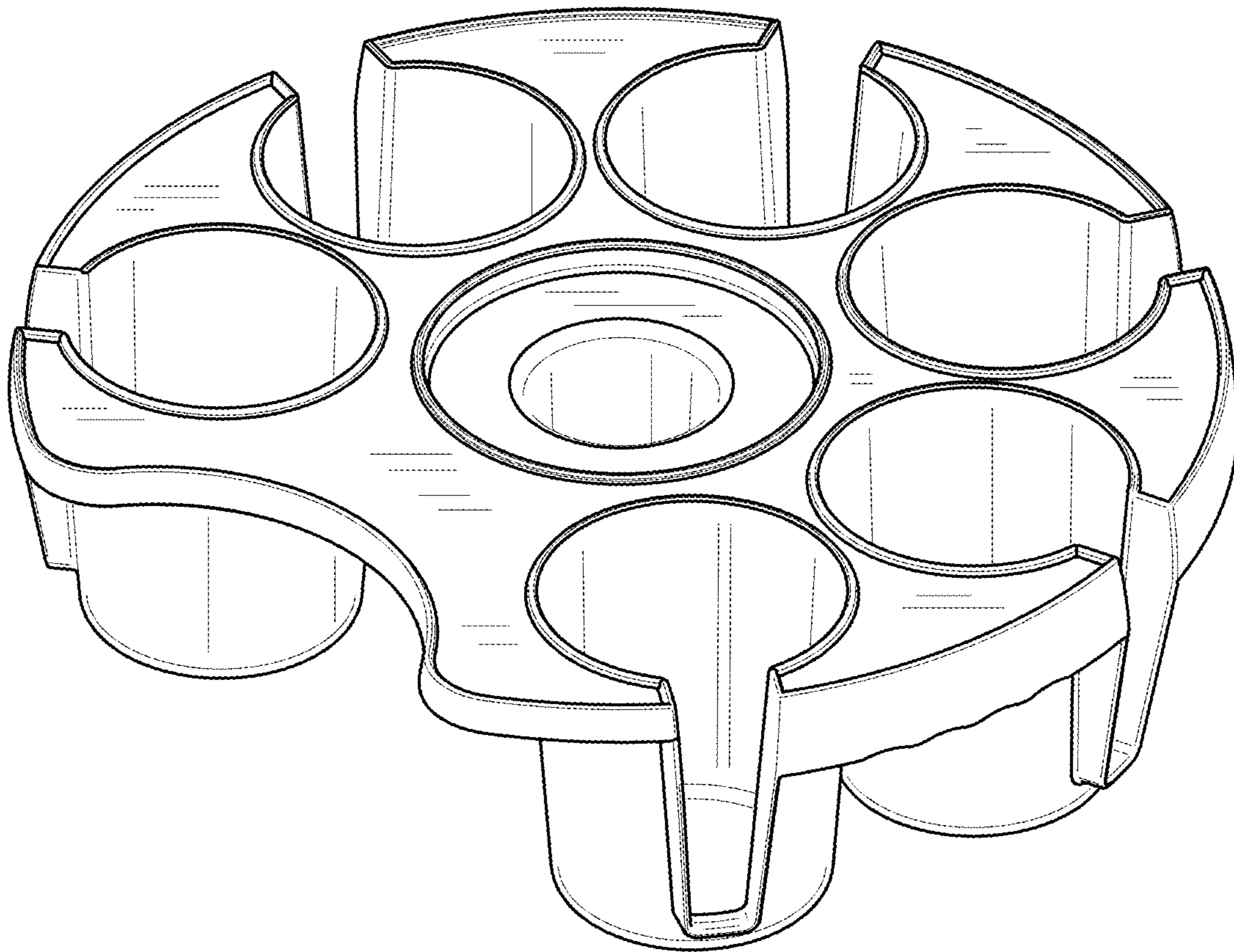


FIG. 1

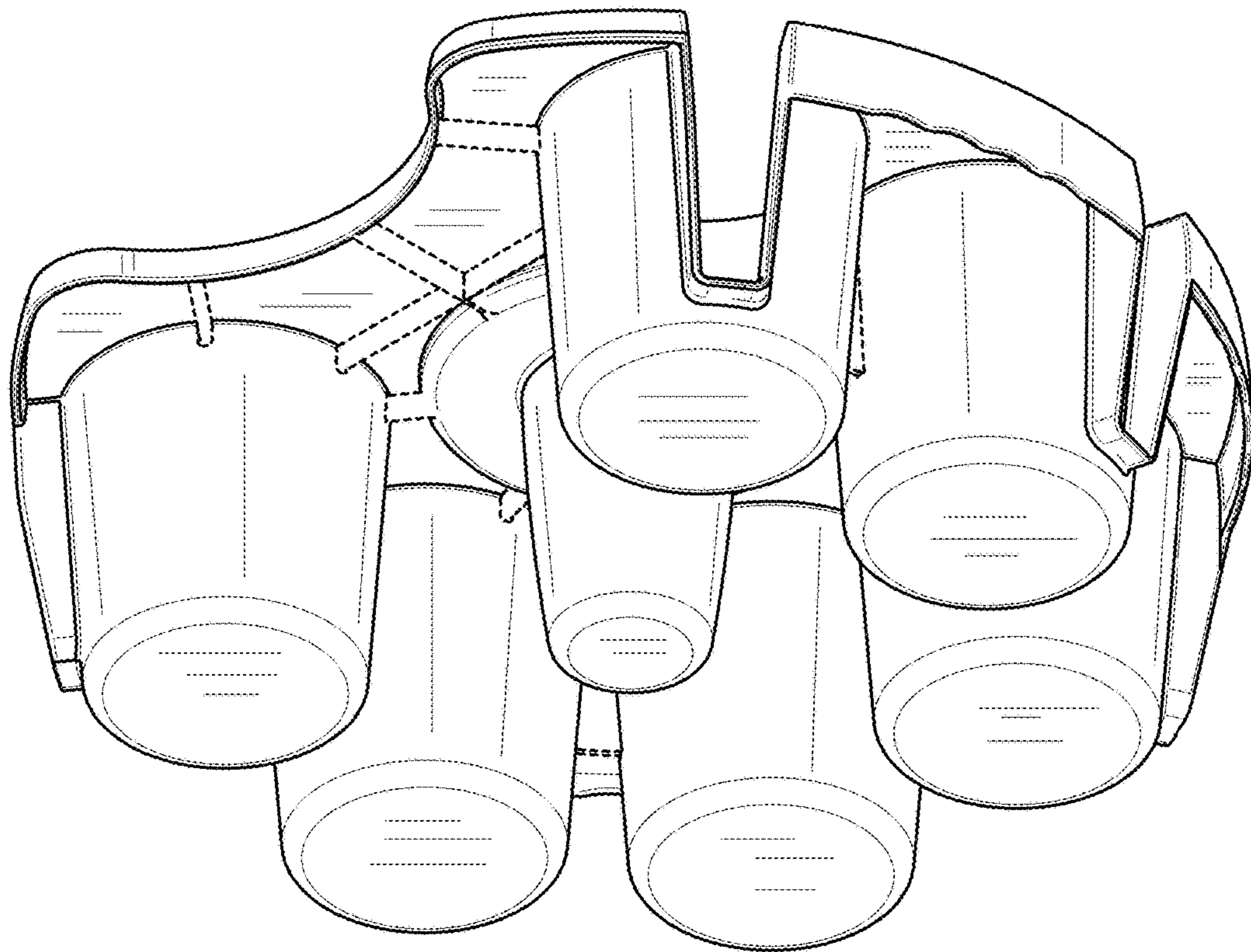


FIG. 2

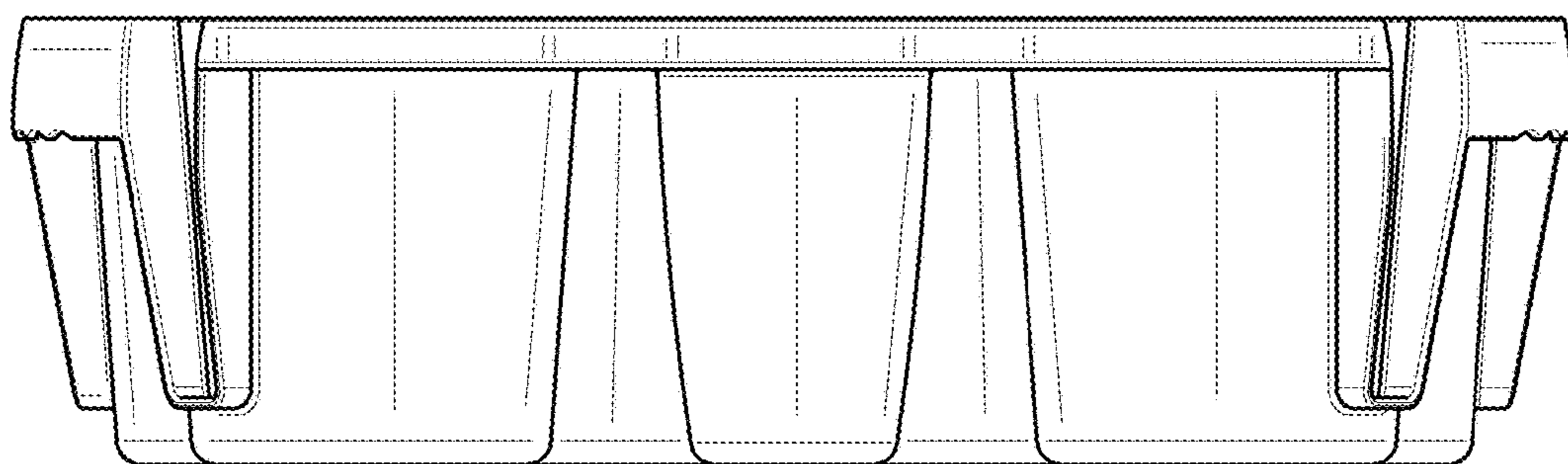


FIG. 3

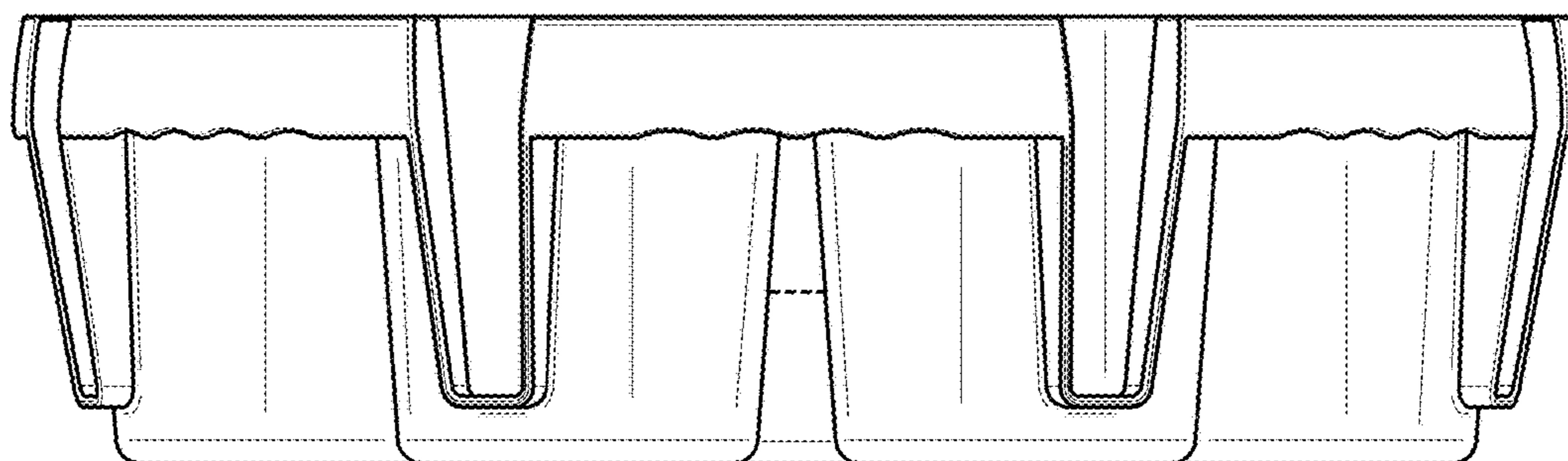


FIG. 4

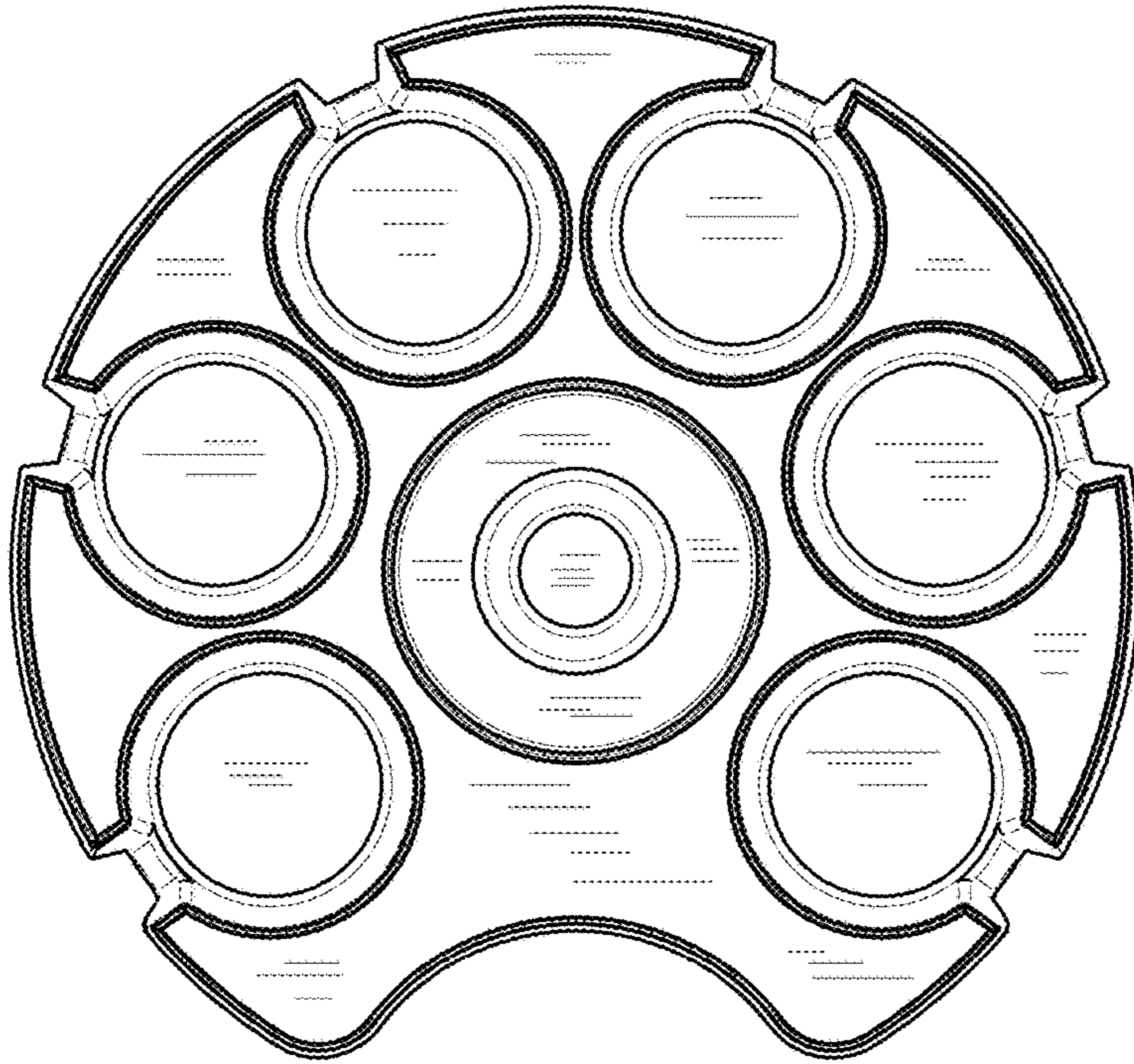


FIG. 5

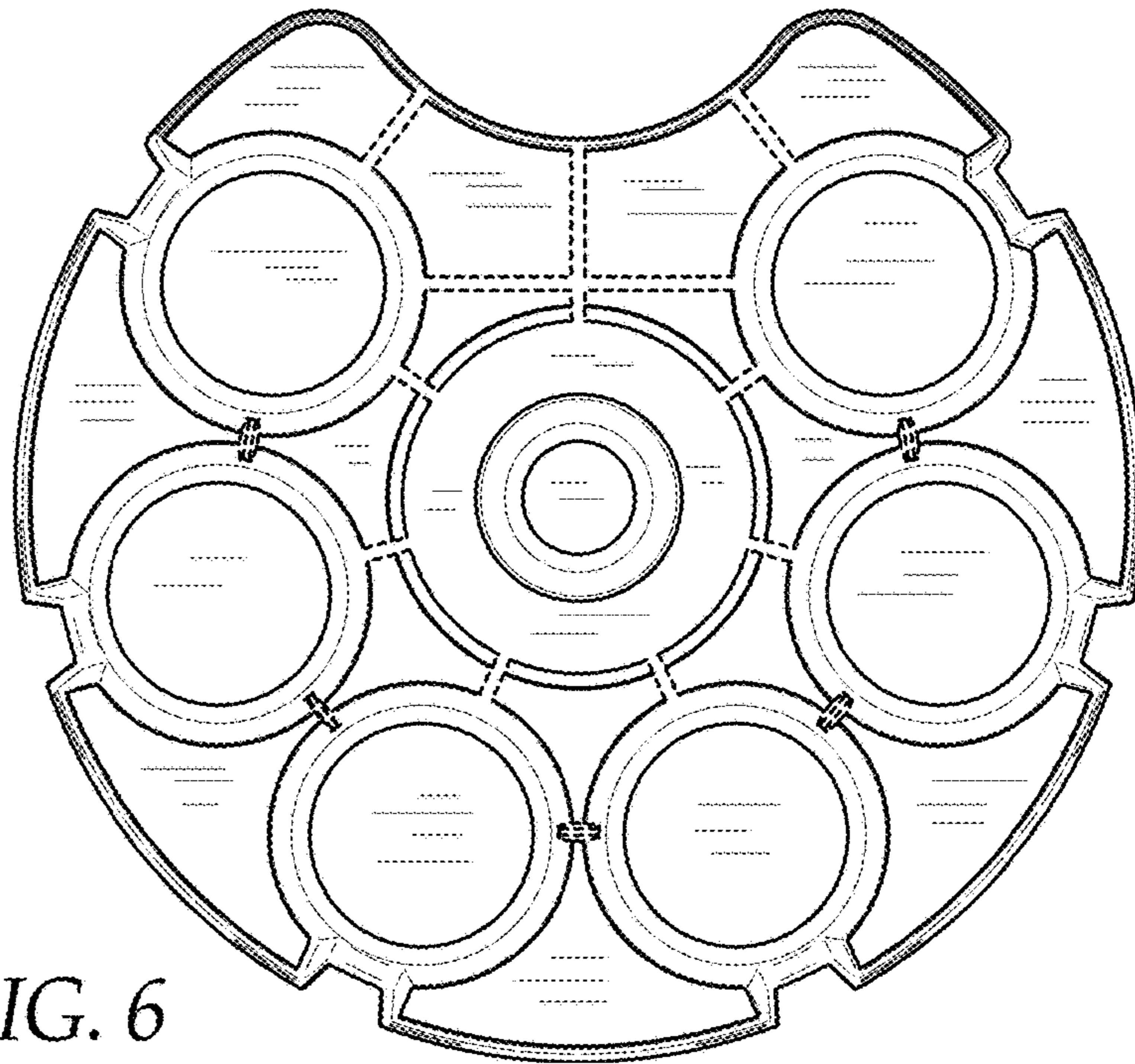


FIG. 6

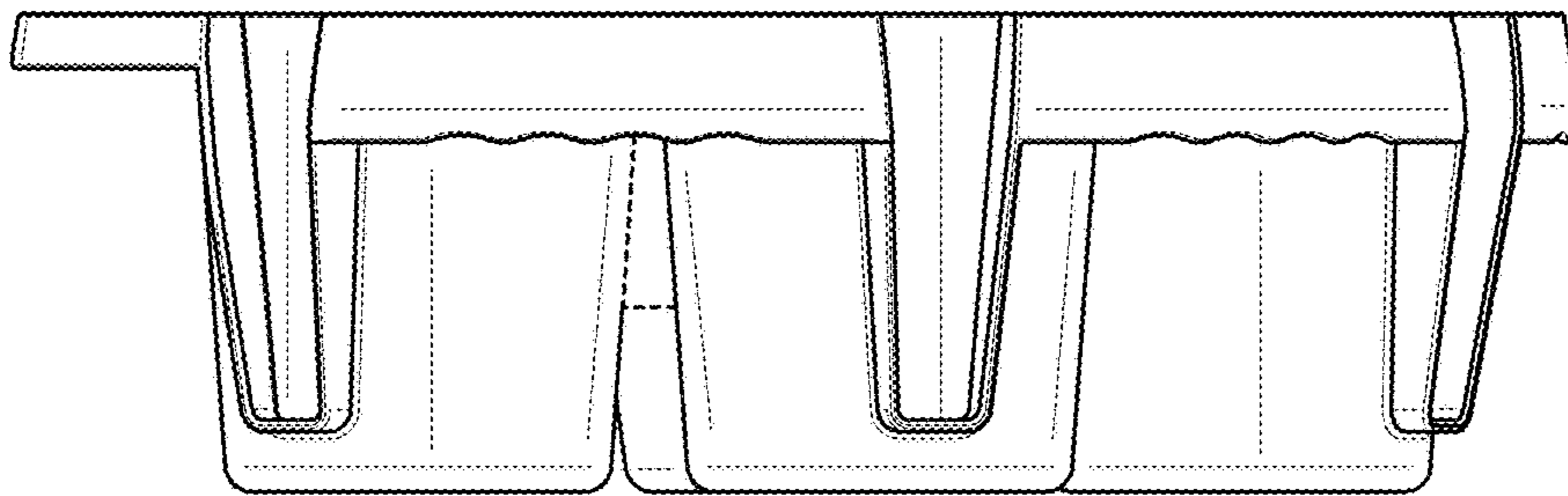


FIG. 7

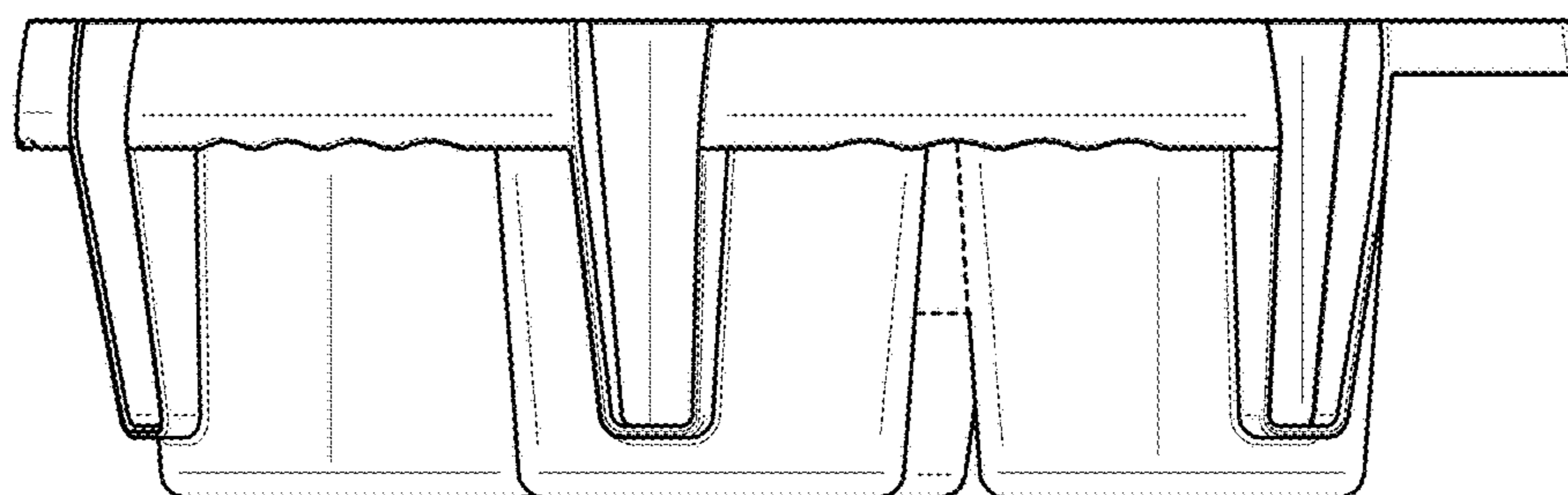
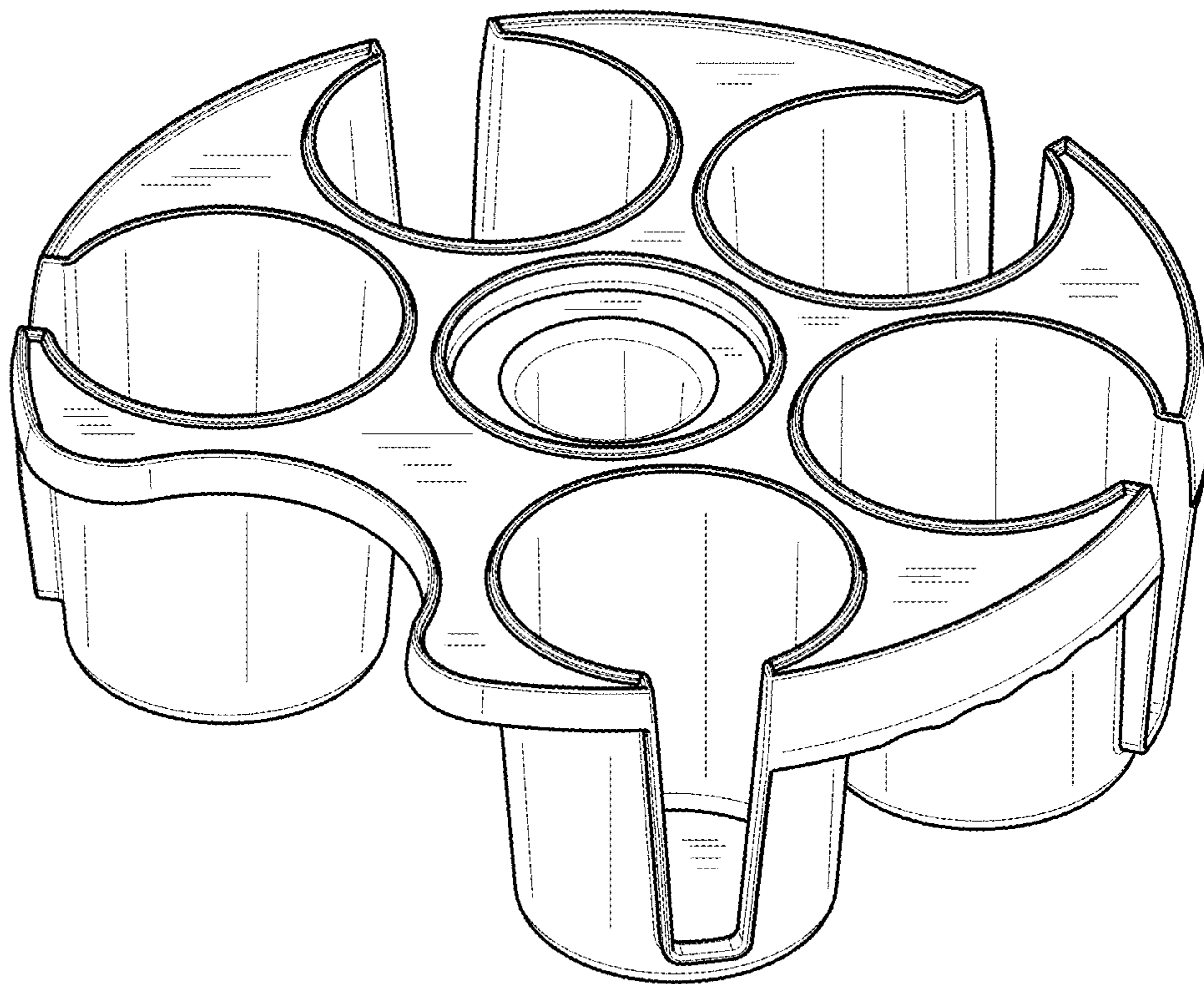


FIG. 8



*FIG. 9*



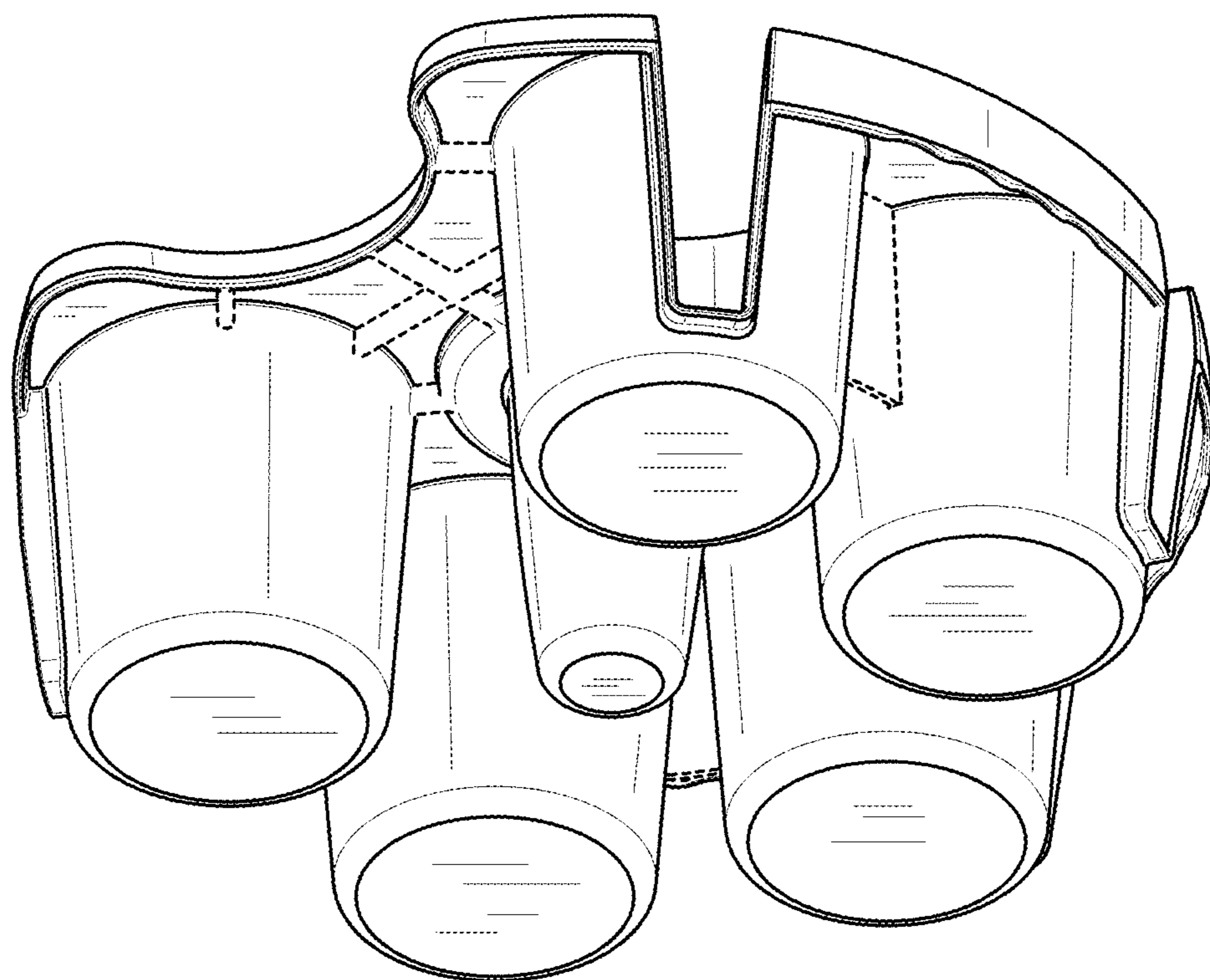
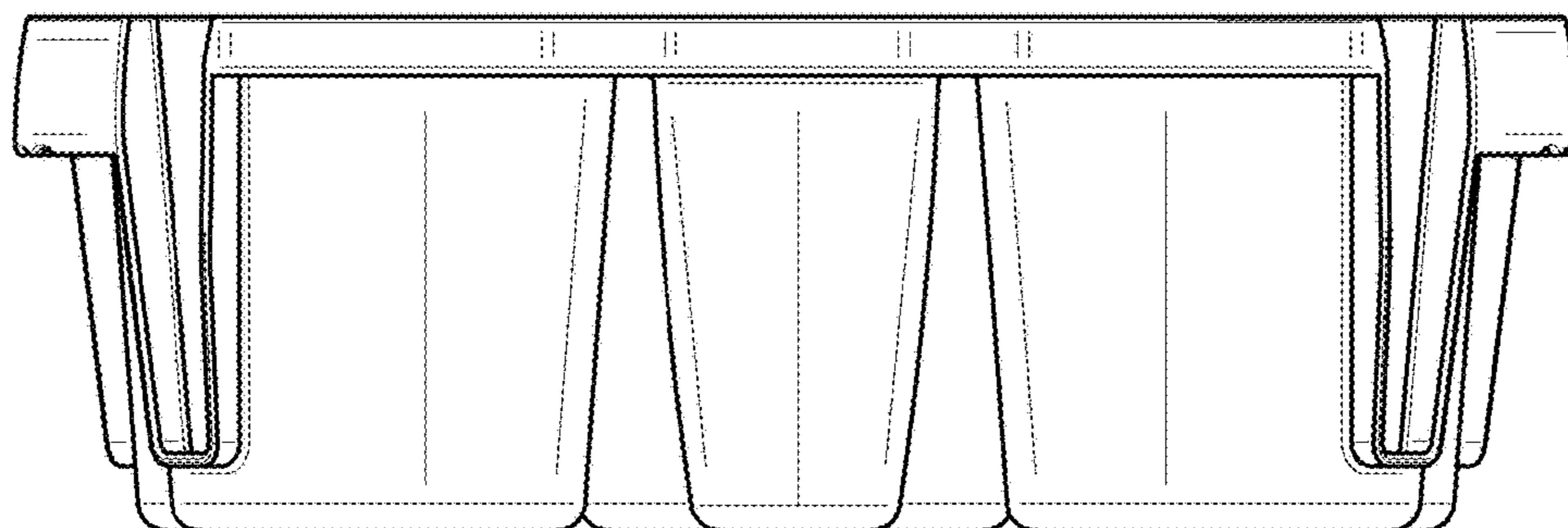
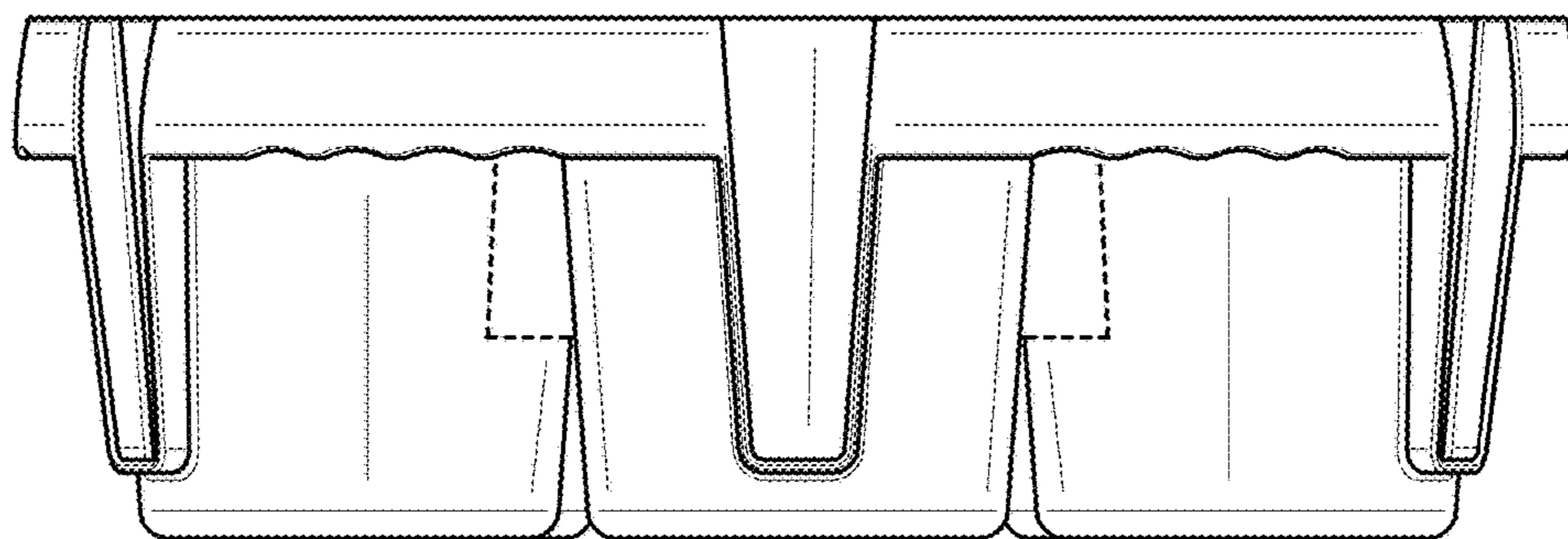


FIG. 10



*FIG. 11*



*FIG. 12*

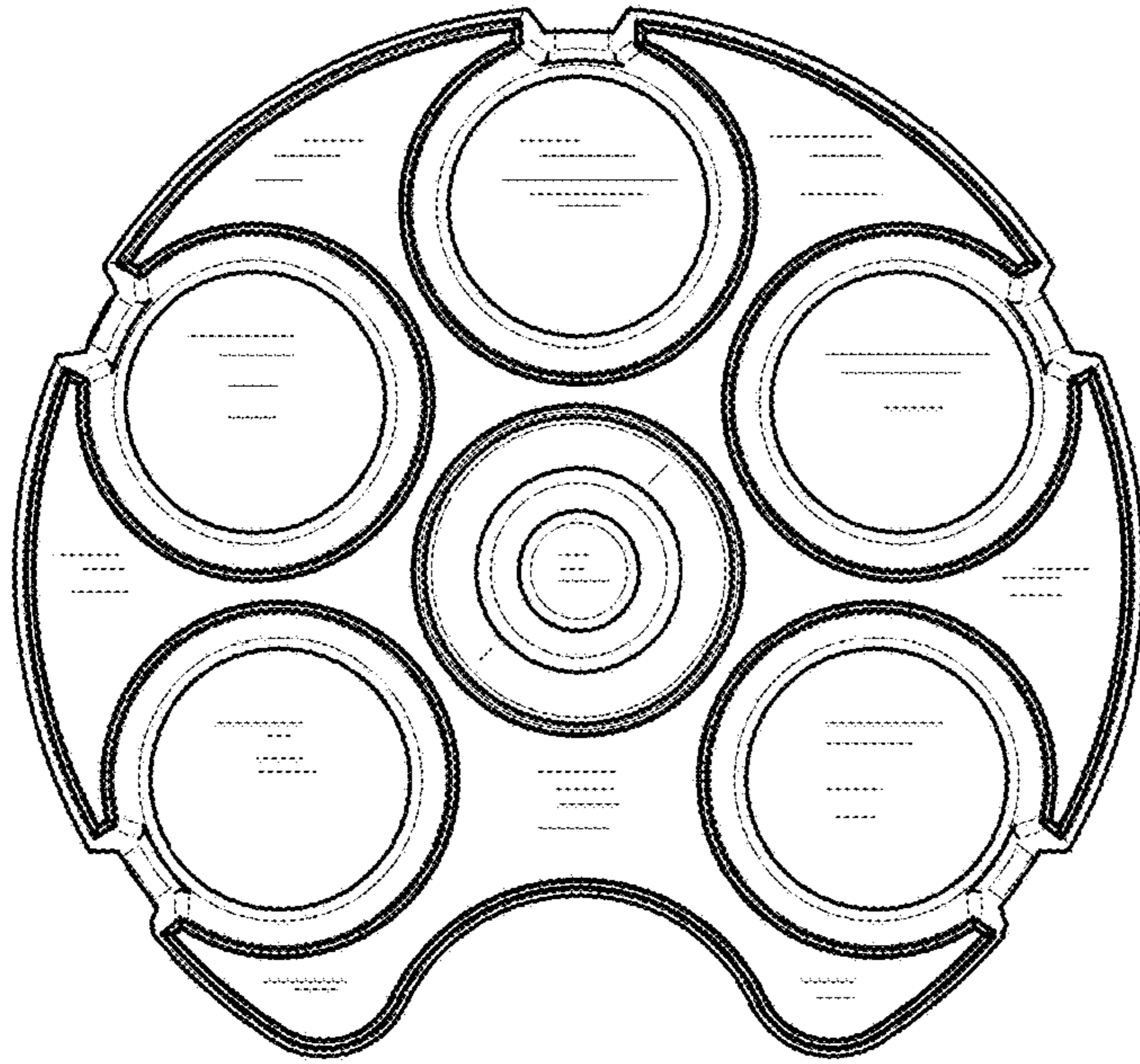


FIG. 13

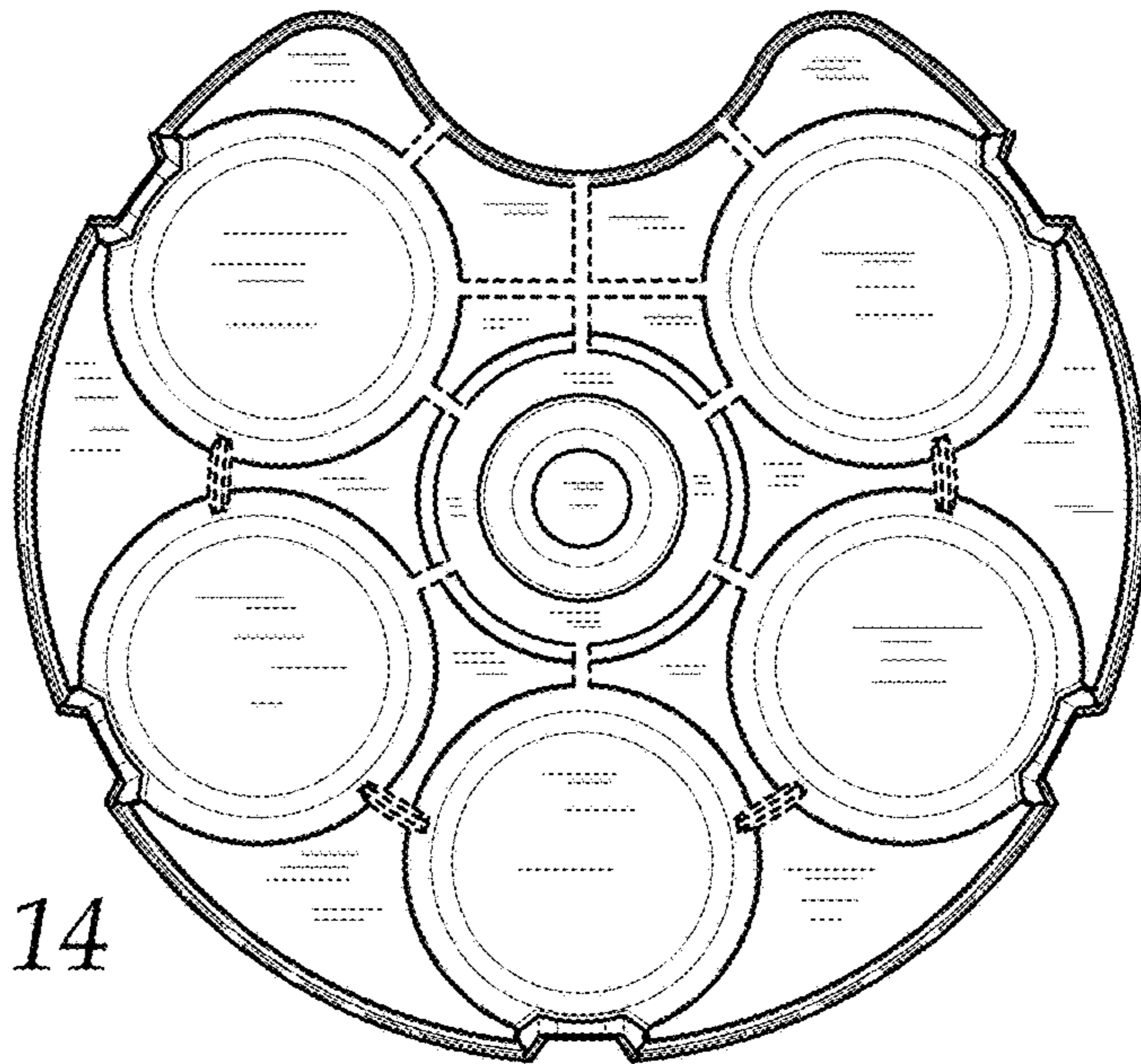


FIG. 14

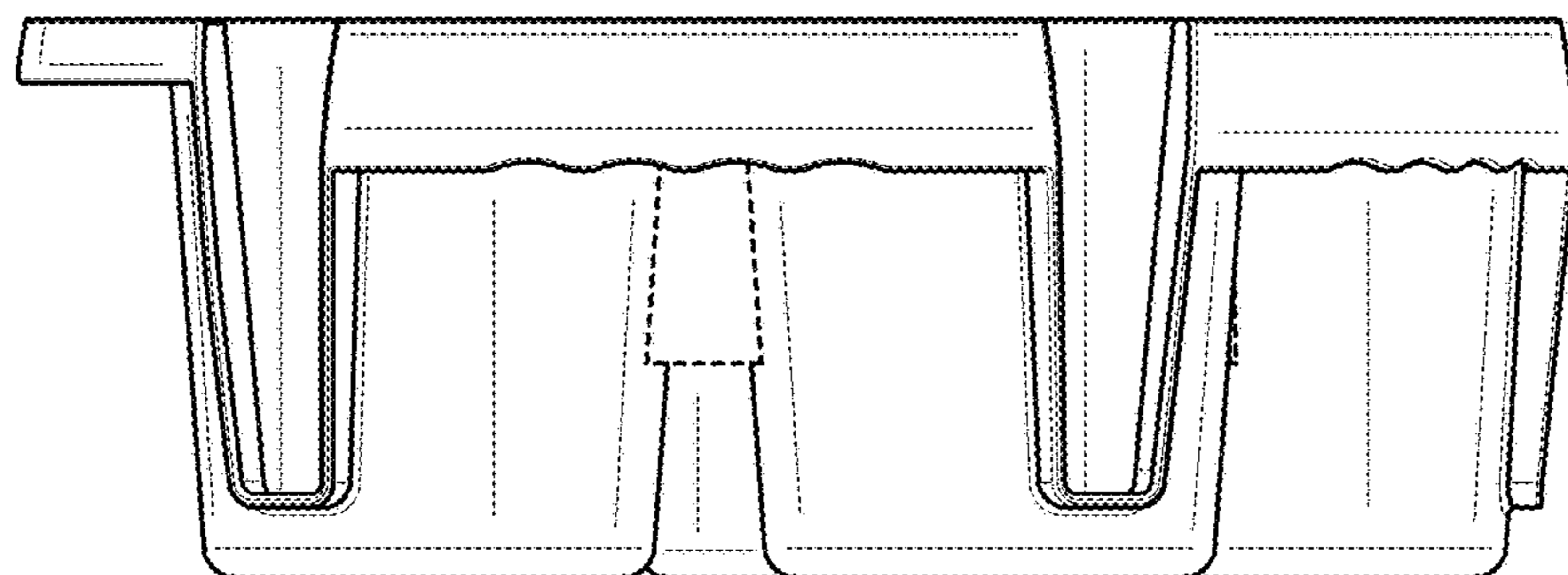


FIG. 15

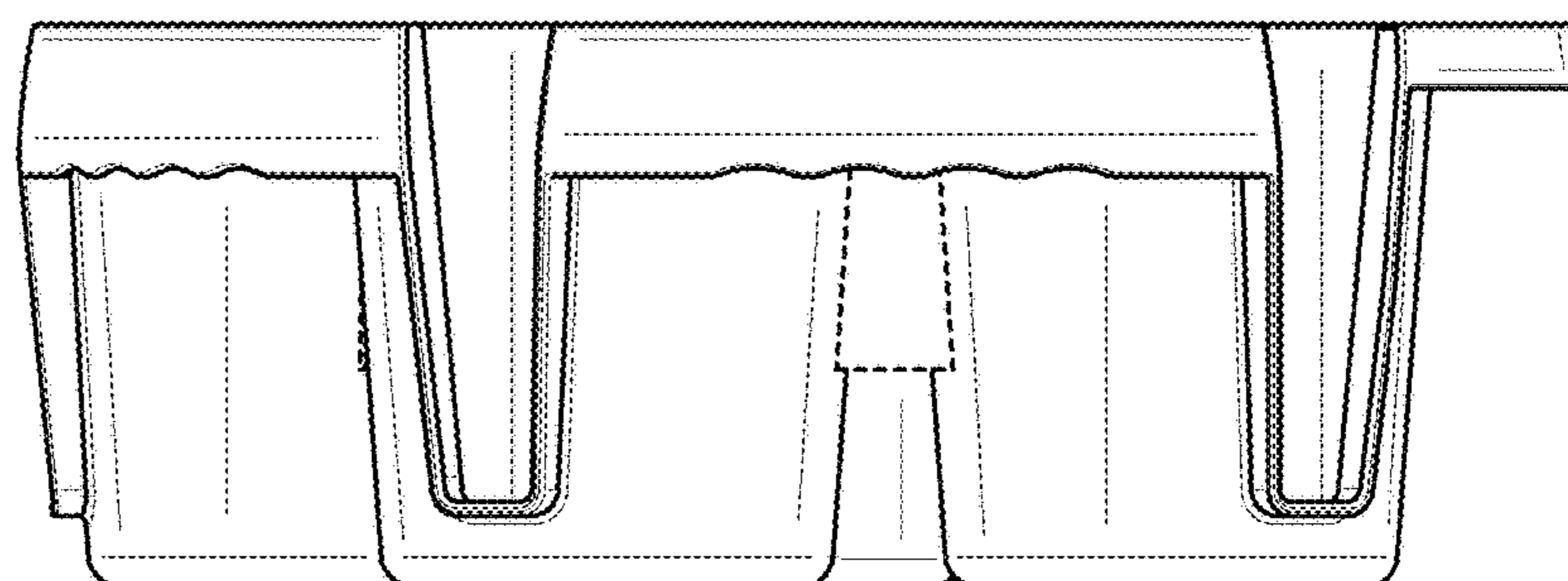


FIG. 16